



US00D387295S

United States Patent [19]
Krikorian

[11] **Patent Number:** **Des. 387,295**
[45] **Date of Patent:** ****Dec. 9, 1997**

[54] **WATER LEVEL ADJUSTER FOR SWIMMING POOL**

[76] **Inventor:** **Gary Krikorian**, 4308 Belmar Blvd., Wall, N.J. 07753

[**] **Term:** **14 Years**

[21] **Appl. No.:** **58,532**

[22] **Filed:** **Aug. 16, 1996**

[51] **LOC (6) Cl.** **10-04**

[52] **U.S. Cl.** **D10/101**

[58] **Field of Search** D10/101; 4/507, 4/508; 73/290; 137/426, 428, 430, 432, 579

[56] **References Cited**

U.S. PATENT DOCUMENTS

D. 235,055	5/1975	McCloskey et al.	D10/101
D. 337,061	7/1993	Haggett	D10/101
5,427,137	6/1995	Bowen	137/432

Primary Examiner—Antoine Duval Davis
Attorney, Agent, or Firm—Harold H. Dutton, Jr.

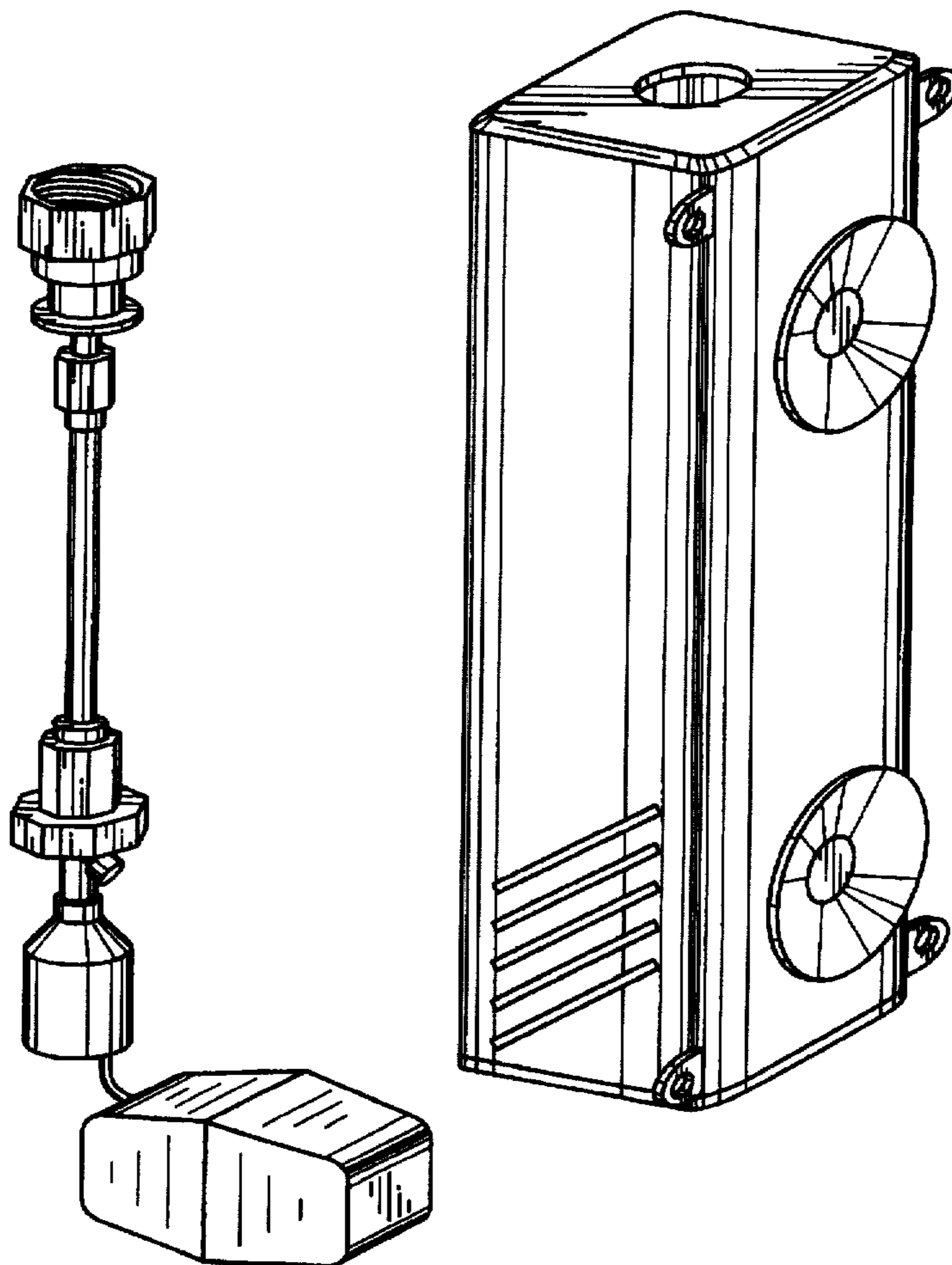
[57] **CLAIM**

The ornamental design for a water level adjuster for swimming pools, as shown and described.

DESCRIPTION

FIG. 1 is a perspective view of the measuring portion of a water level adjuster for swimming pools showing my new design;
FIG. 2 is a front view thereof;
FIG. 3 is a rear view thereof;
FIG. 4 is a right side view thereof;
FIG. 5 is a left side view thereof;
FIG. 6 is a top view thereof;
FIG. 7 is a bottom view thereof;
FIG. 8 is a perspective view of the housing portion thereof;
FIG. 9 is a front view thereof;
FIG. 10 is a rear view thereof;
FIG. 11 is a left side view thereof; The right side is a mirror image thereof;
FIG. 12 is a top view thereof;
FIG. 13 is a bottom view thereof;
FIG. 14 is a perspective view of both portions thereof; and,
FIG. 15 is a view of the complete water level adjuster.

1 Claim, 9 Drawing Sheets



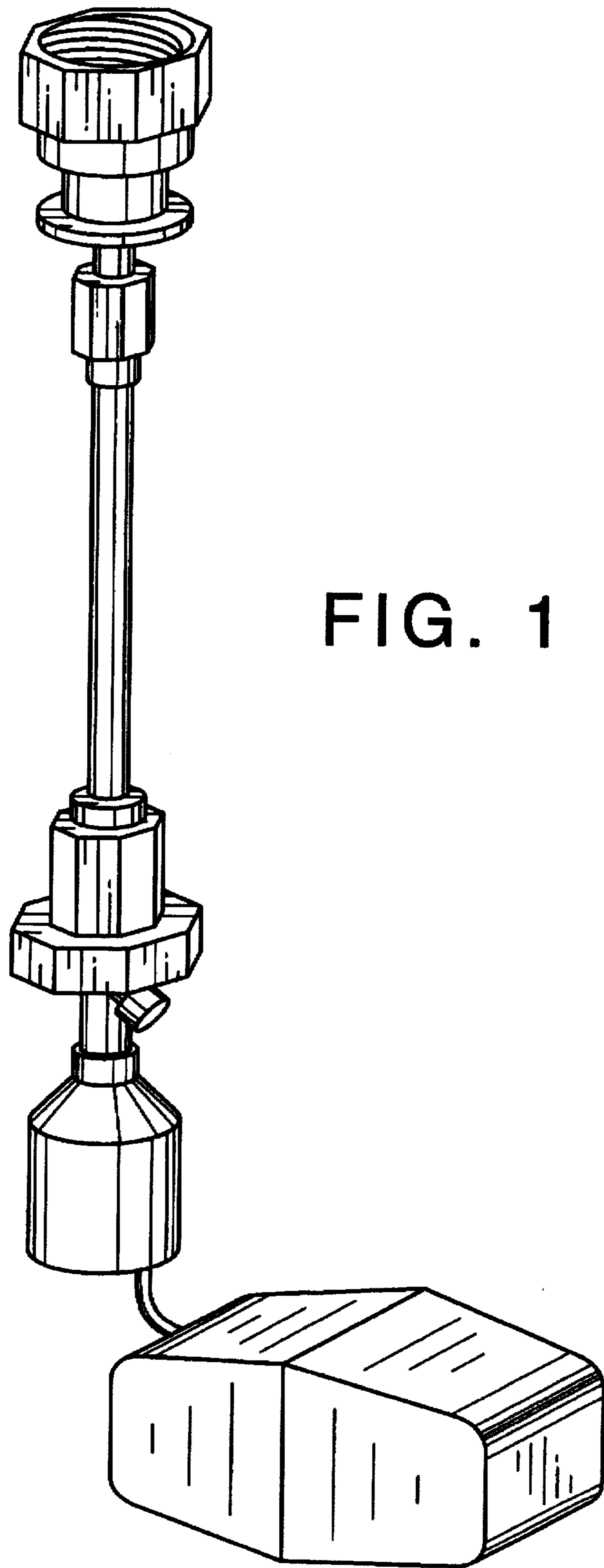
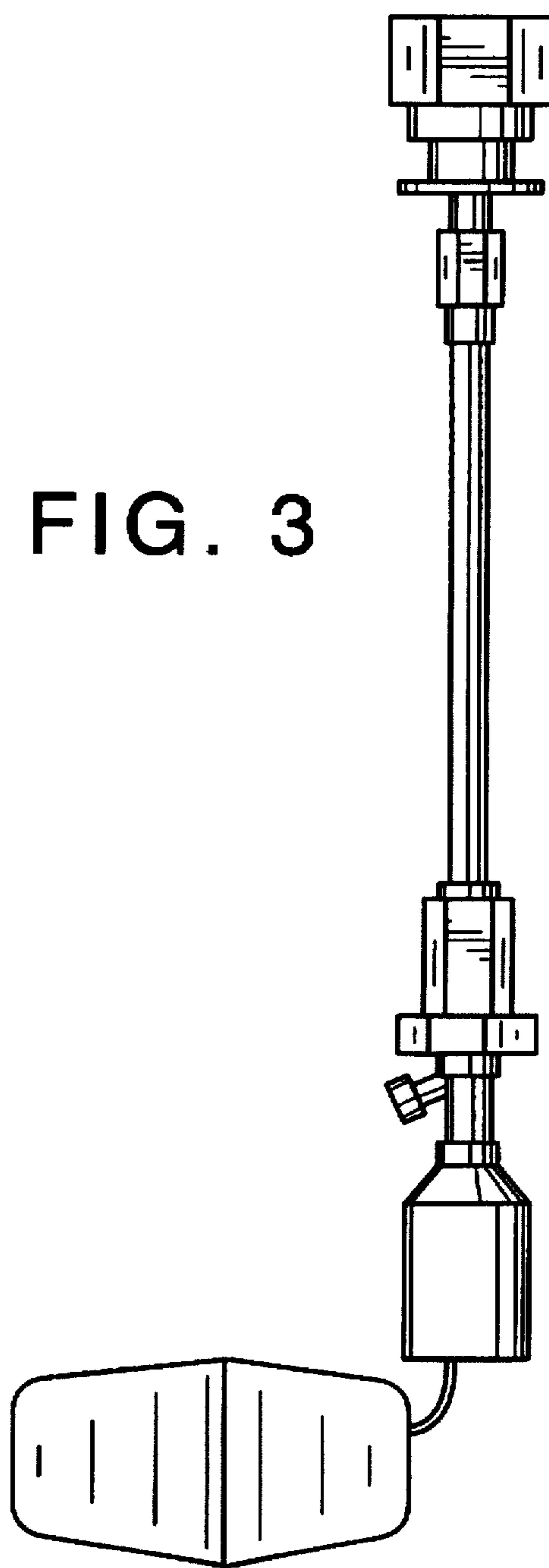
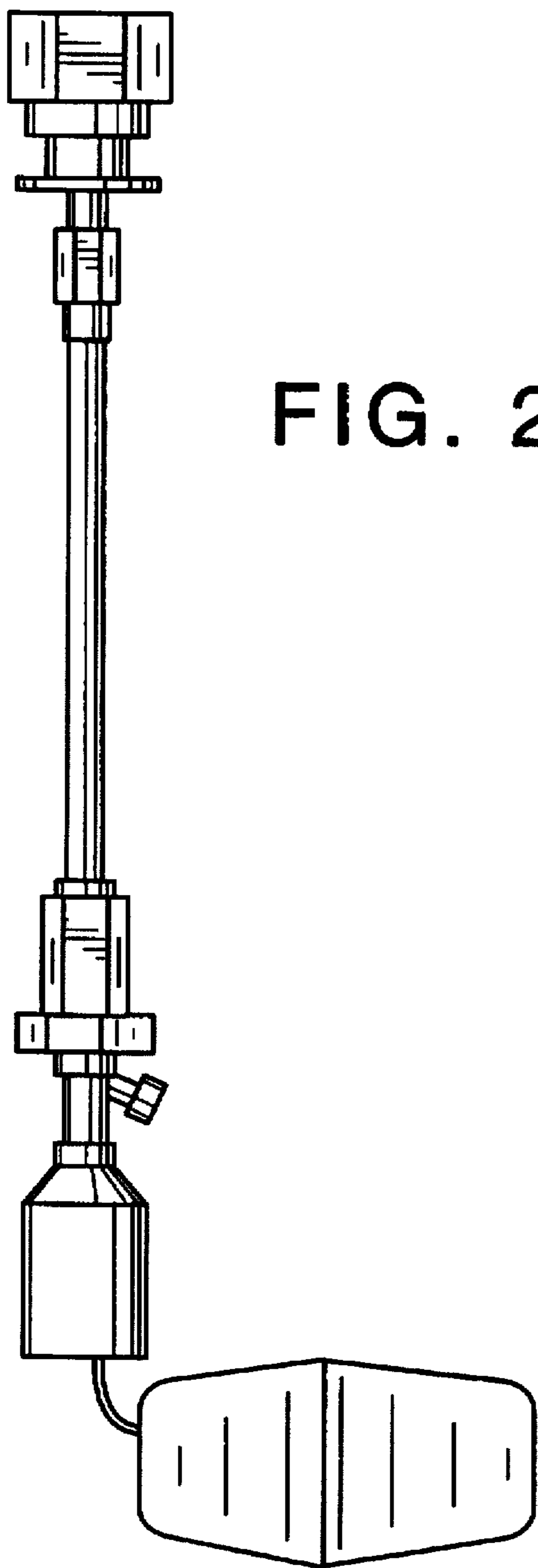


FIG. 1



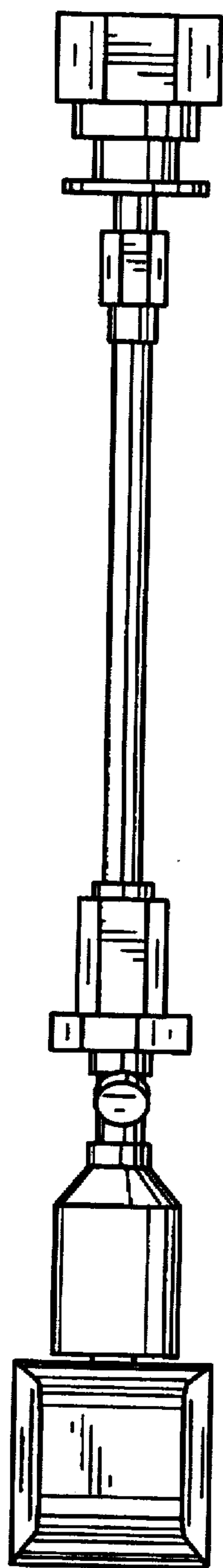


FIG. 4

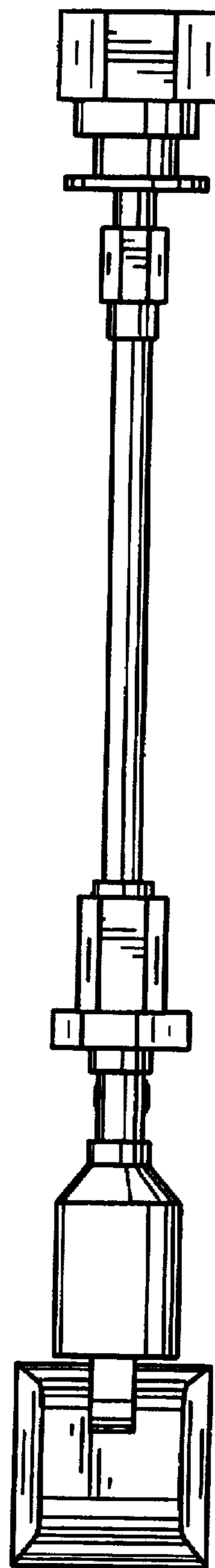


FIG. 5

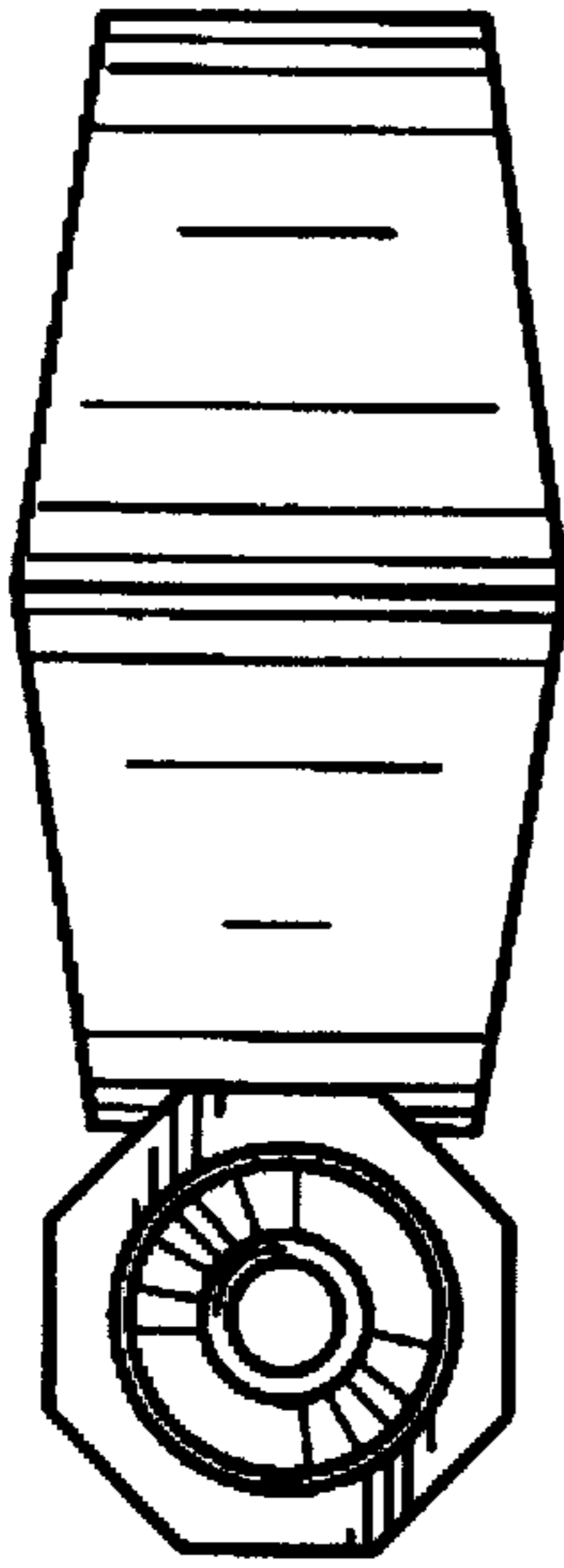


FIG. 6

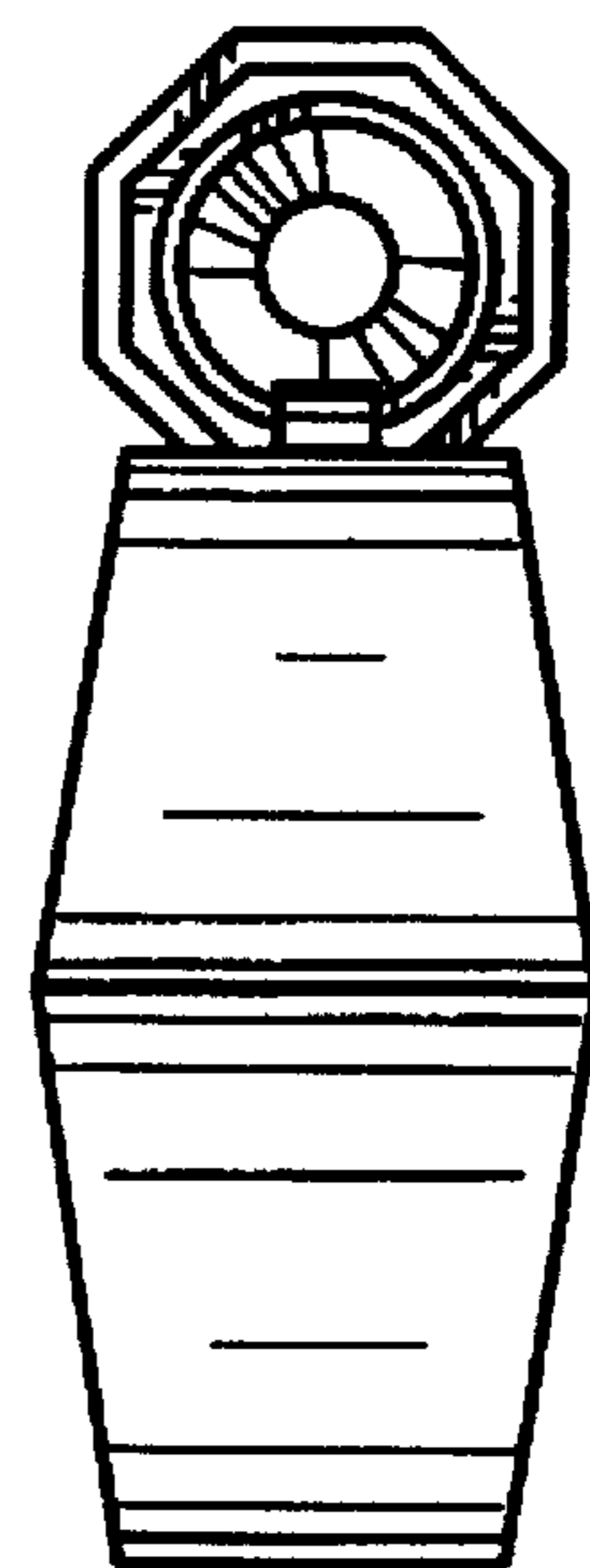


FIG. 7

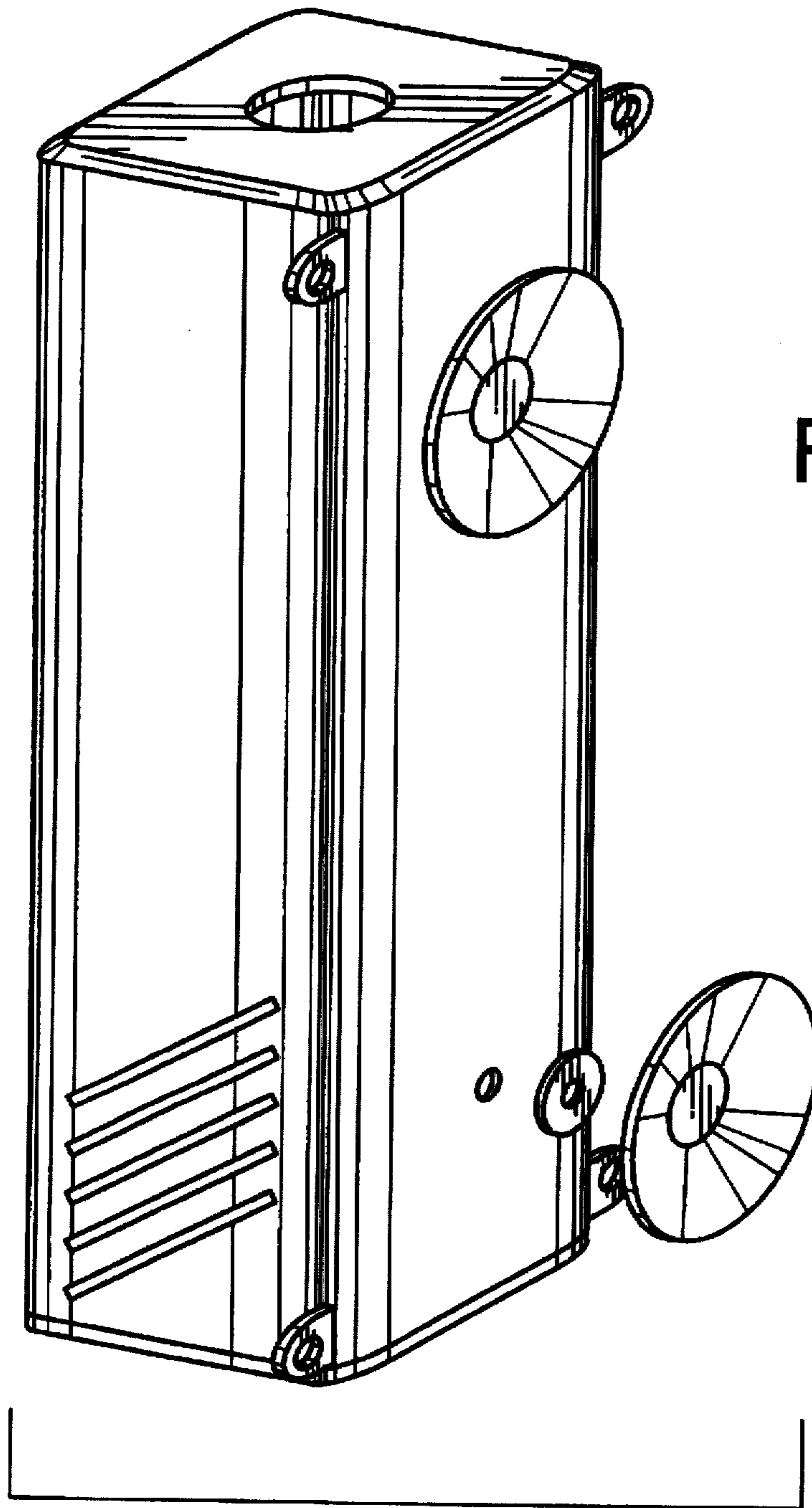


FIG. 8

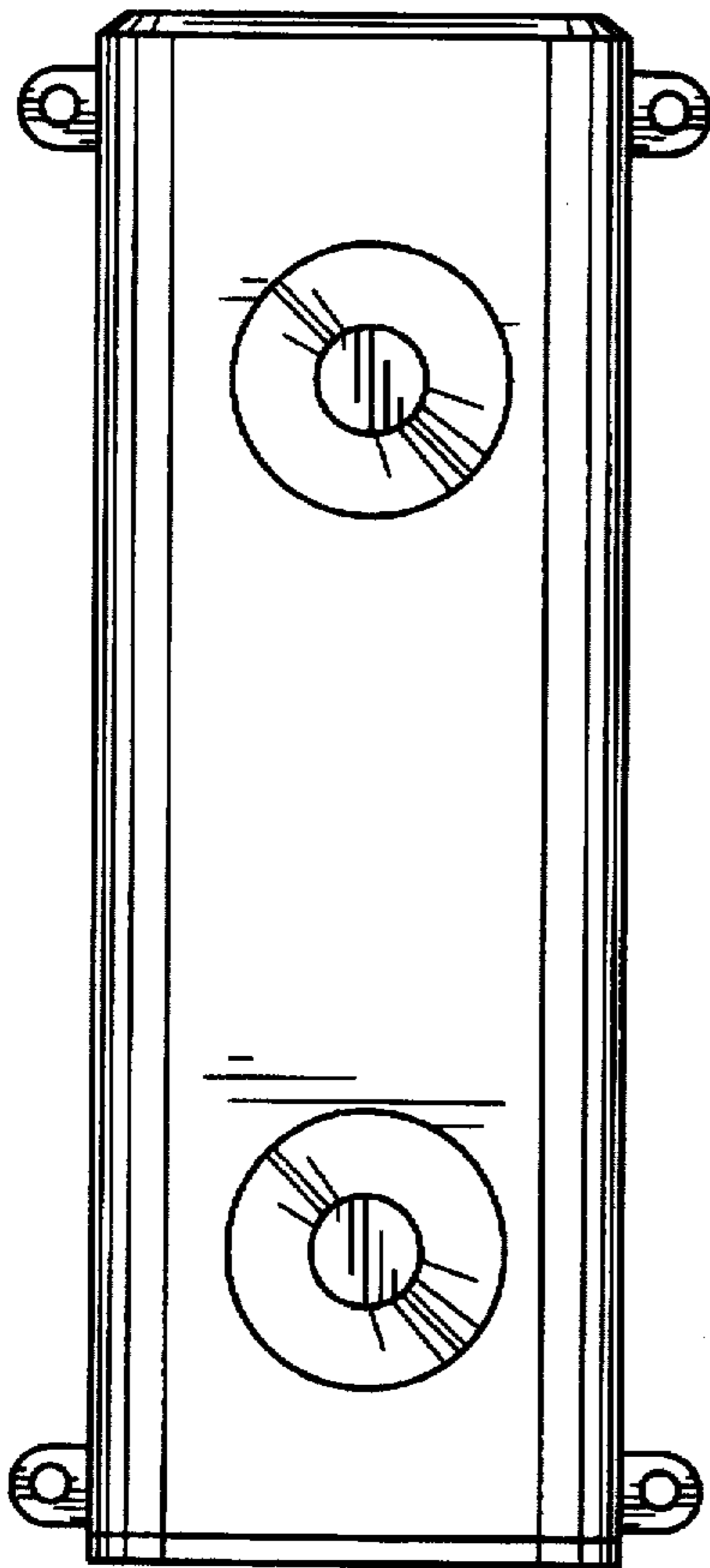


FIG. 9

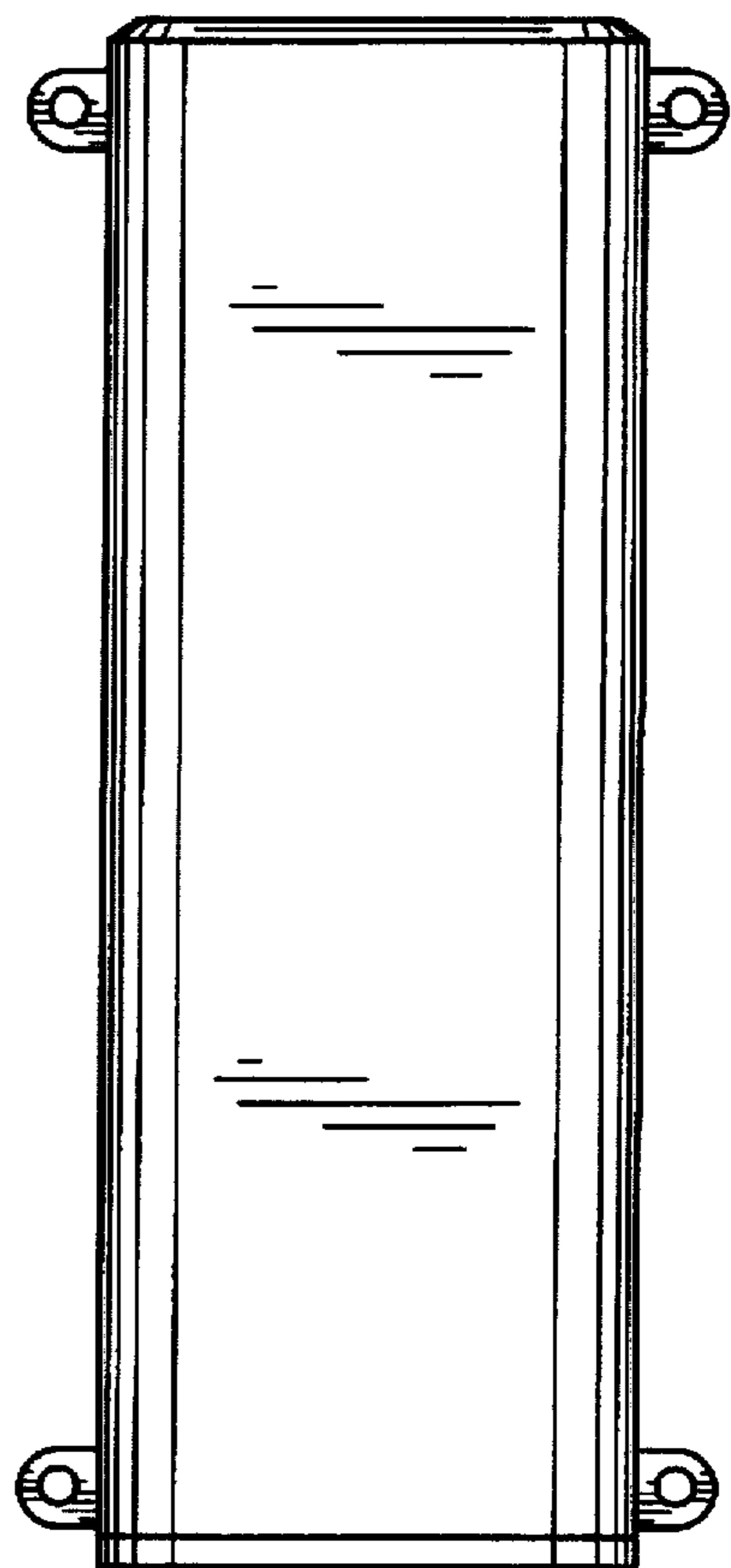


FIG. 10

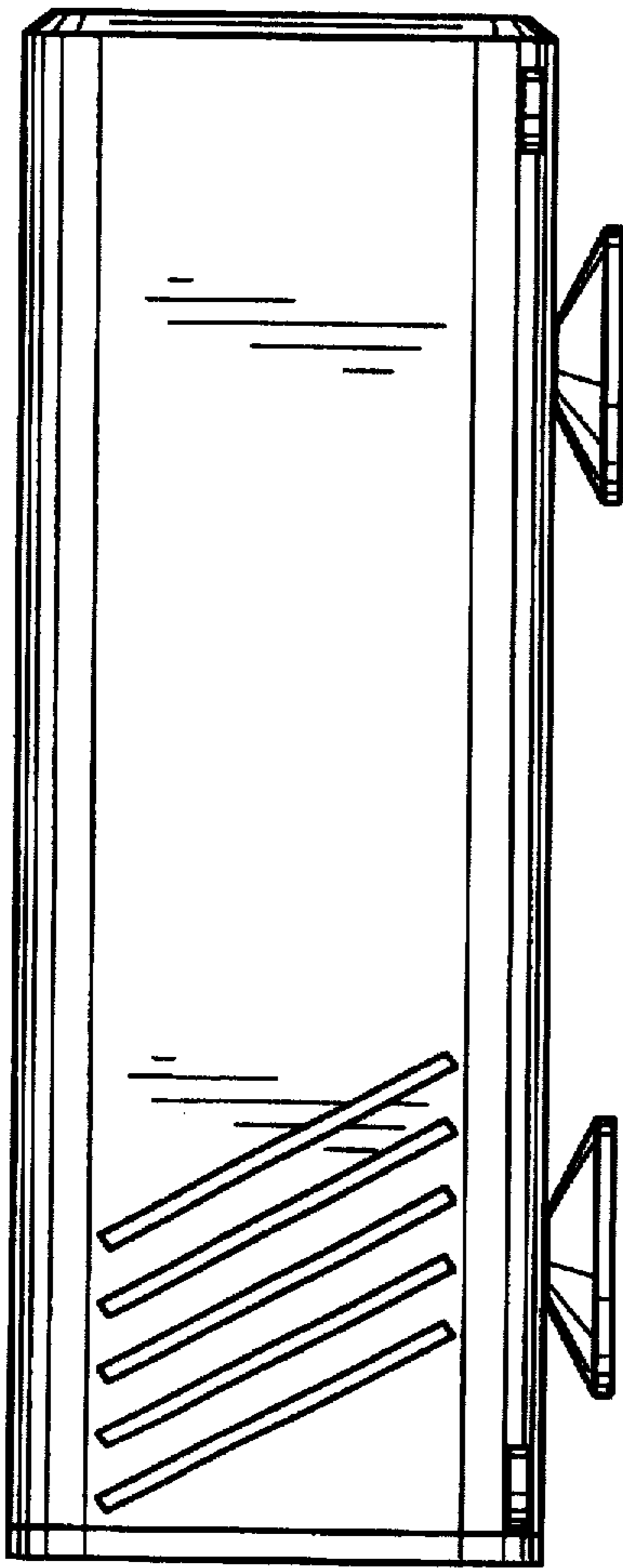


FIG. 11

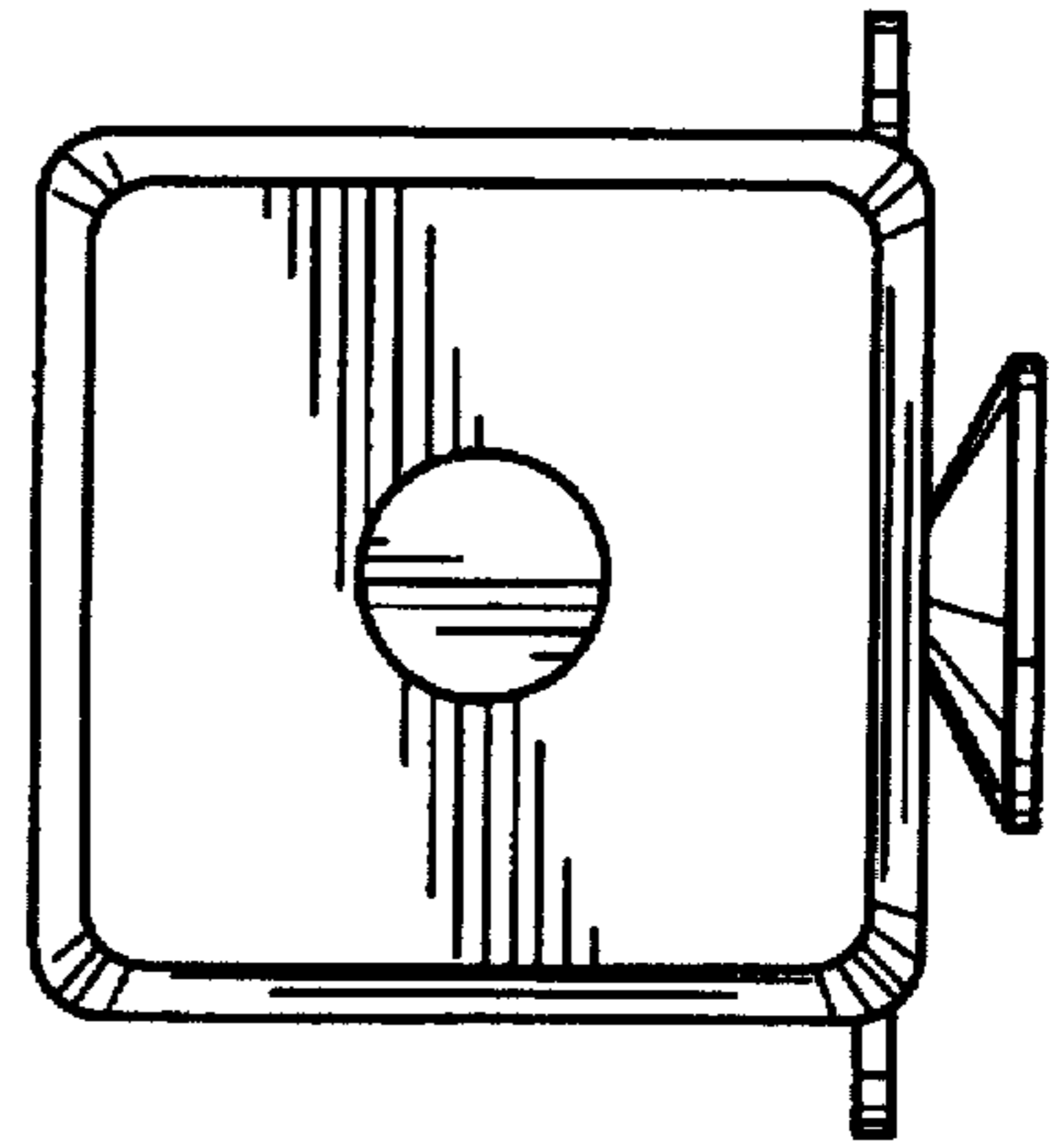


FIG. 12

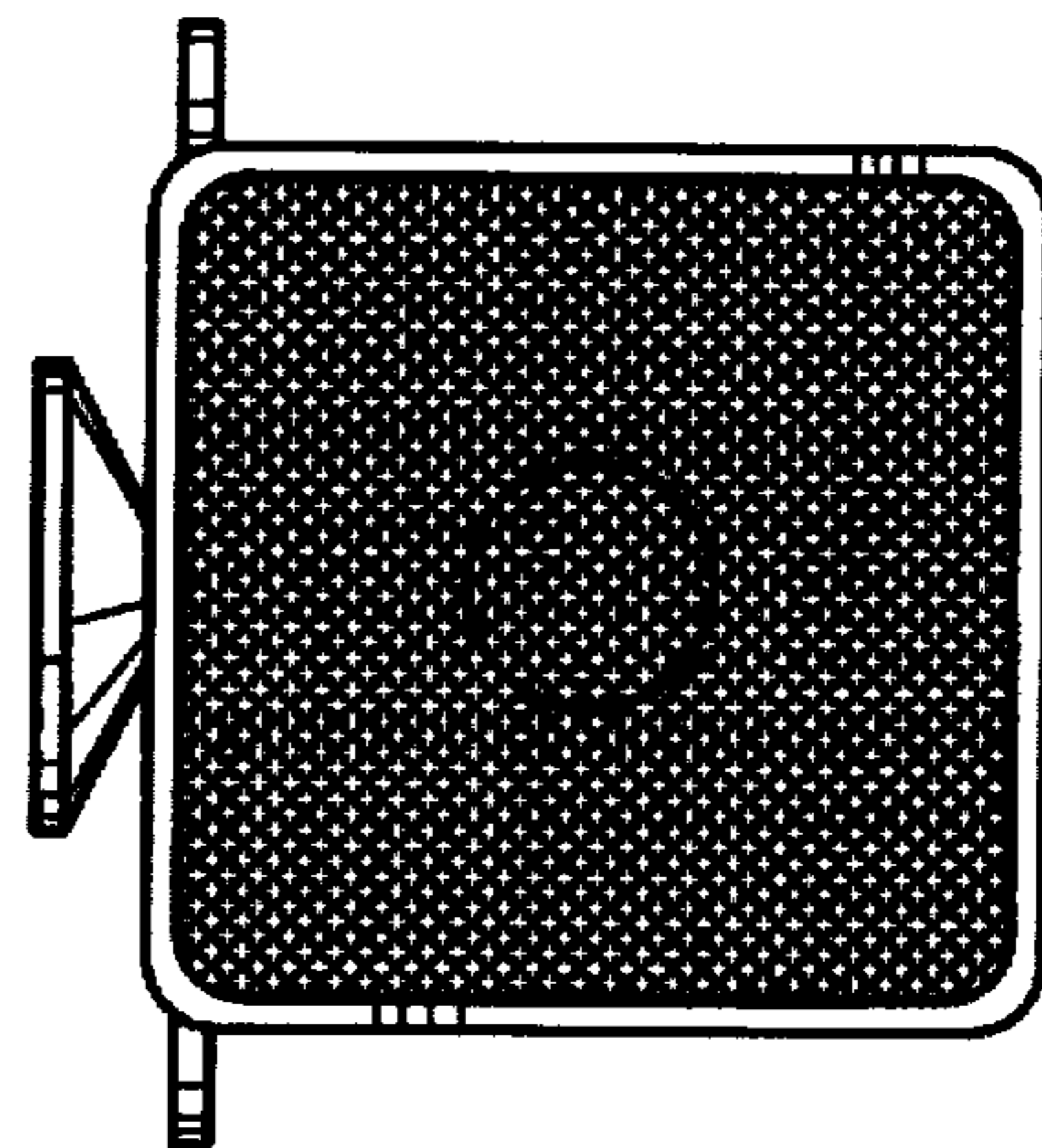


FIG. 13

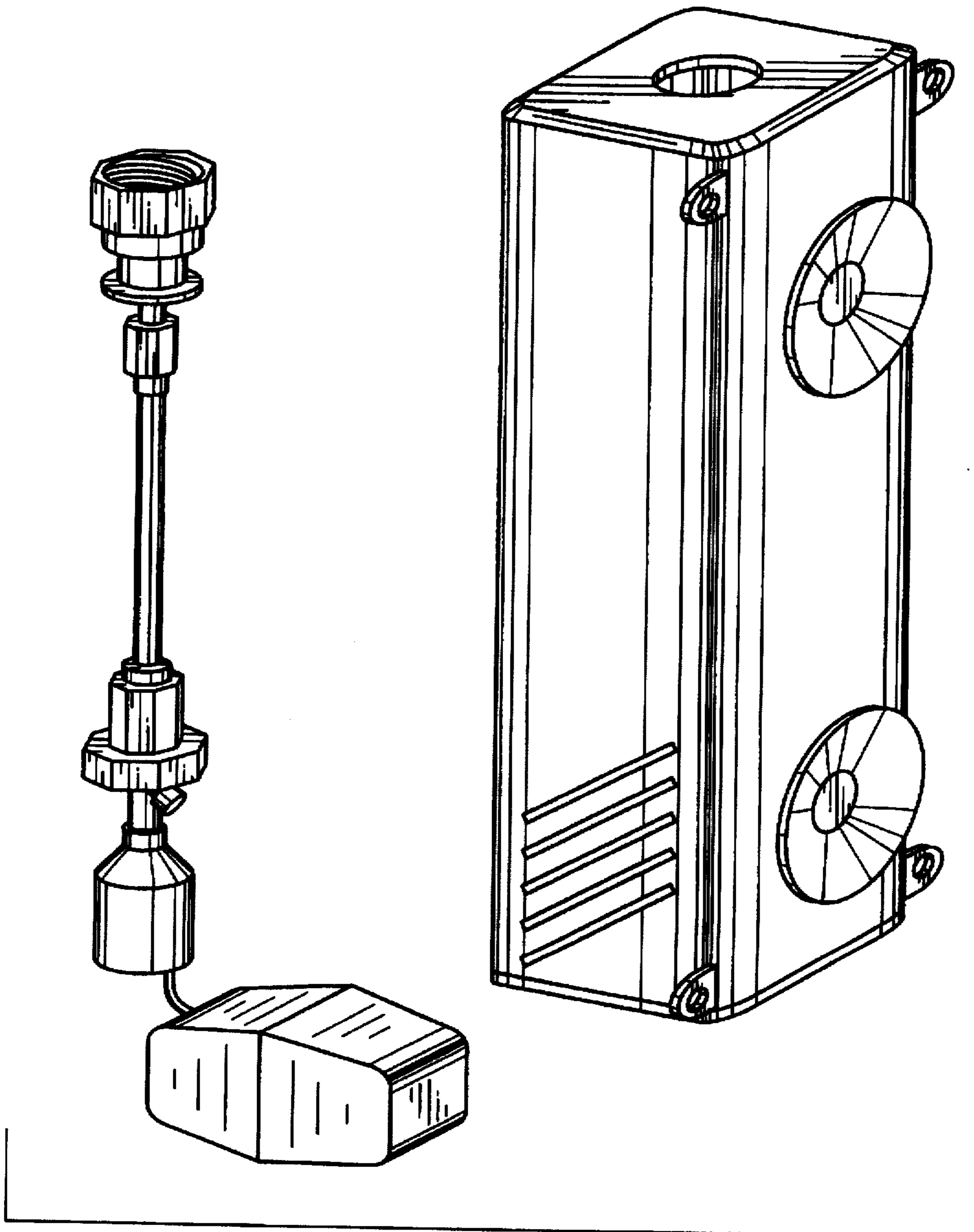


FIG. 14

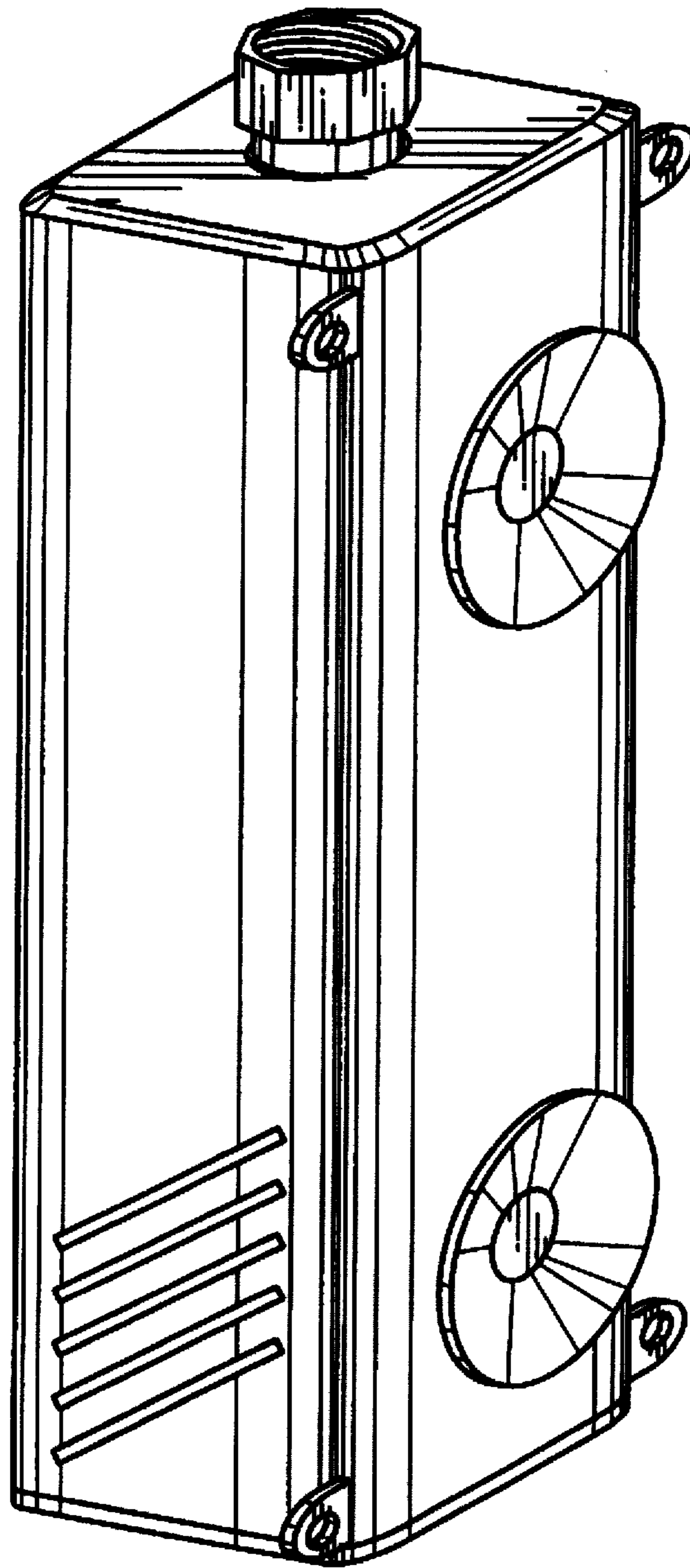


FIG. 15