



US00D387288S

United States Patent [19]
Wong

[11] Patent Number: Des. 387,288

[45] Date of Patent: **Dec. 9, 1997

[54] ANALOG ALARM CLOCK
[75] Inventor: Shu Kwan Wong, Hong Kong, Hong Kong
[73] Assignee: Herald Electronics Limited, New Territories, Hong Kong
[**] Term: 14 Years

Primary Examiner—Nelson C. Holtje
Attorney, Agent, or Firm—Beveridge, DeGrandi, Weilacher & Young LLP

[57] CLAIM
The ornamental design for an analog alarm clock, as shown and described.

[21] Appl. No.: 45,840
[22] Filed: Oct. 31, 1995
[51] LOC (6) Cl. 10-01
[52] U.S. Cl. D10/18
[58] Field of Search D10/1-40, 122-132;
368/276-277, 285, 316-317

DESCRIPTION

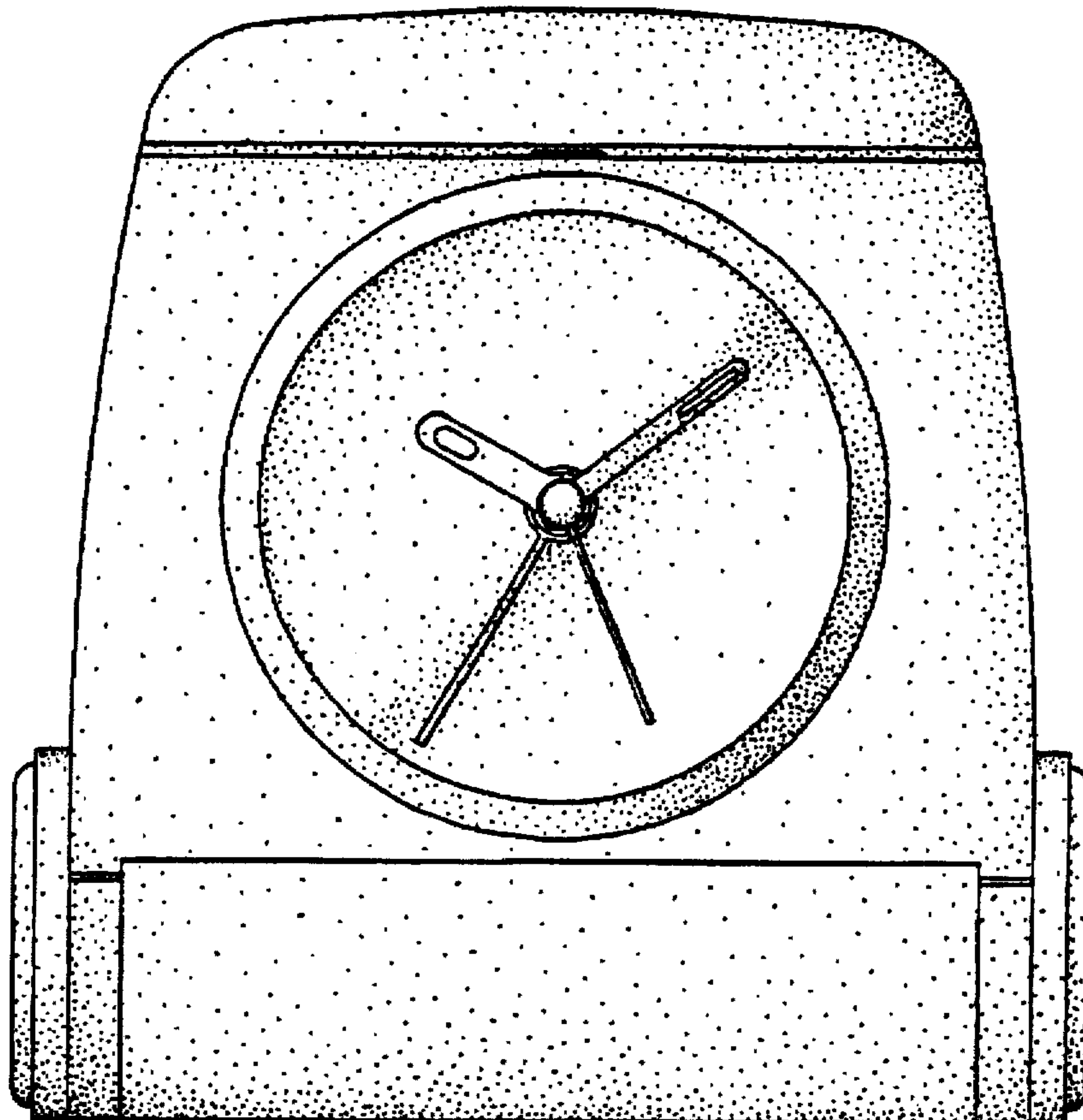
FIG. 1 is a front elevational view of a analog alarm clock showing my new design;
FIG. 2 is a back elevational view thereof;
FIG. 3 is a left side elevational view thereof;
FIG. 4 is a right side elevational view thereof;
FIG. 5 is a top elevational view thereof;
FIG. 6 is a bottom elevational view thereof;
FIG. 7 is a front elevational view thereof, with lid being in a covered position;
FIG. 8 is a back elevational view thereof, with lid being in a covered position;
FIG. 9 is a side elevational view thereof, with lid being in a covered position;
FIG. 10 is a top elevational view thereof, with lid being in a covered position; and,
FIG. 11 is a bottom elevational view thereof, with lid being in a covered position.

[56] References Cited

U.S. PATENT DOCUMENTS

D. 309,573	7/1990	Hirota	D10/18
D. 321,663	11/1991	Tanaka	D10/18
D. 354,003	1/1995	Takashima	D10/18
D. 354,232	1/1995	Inora	D10/18
D. 358,339	5/1995	Wong	D10/18
D. 359,695	6/1995	Ling	D10/26
D. 363,229	10/1995	Wong	D10/18
D. 375,691	11/1996	Wong	D10/18
D. 375,692	11/1996	Wong	D10/18

1 Claim, 11 Drawing Sheets



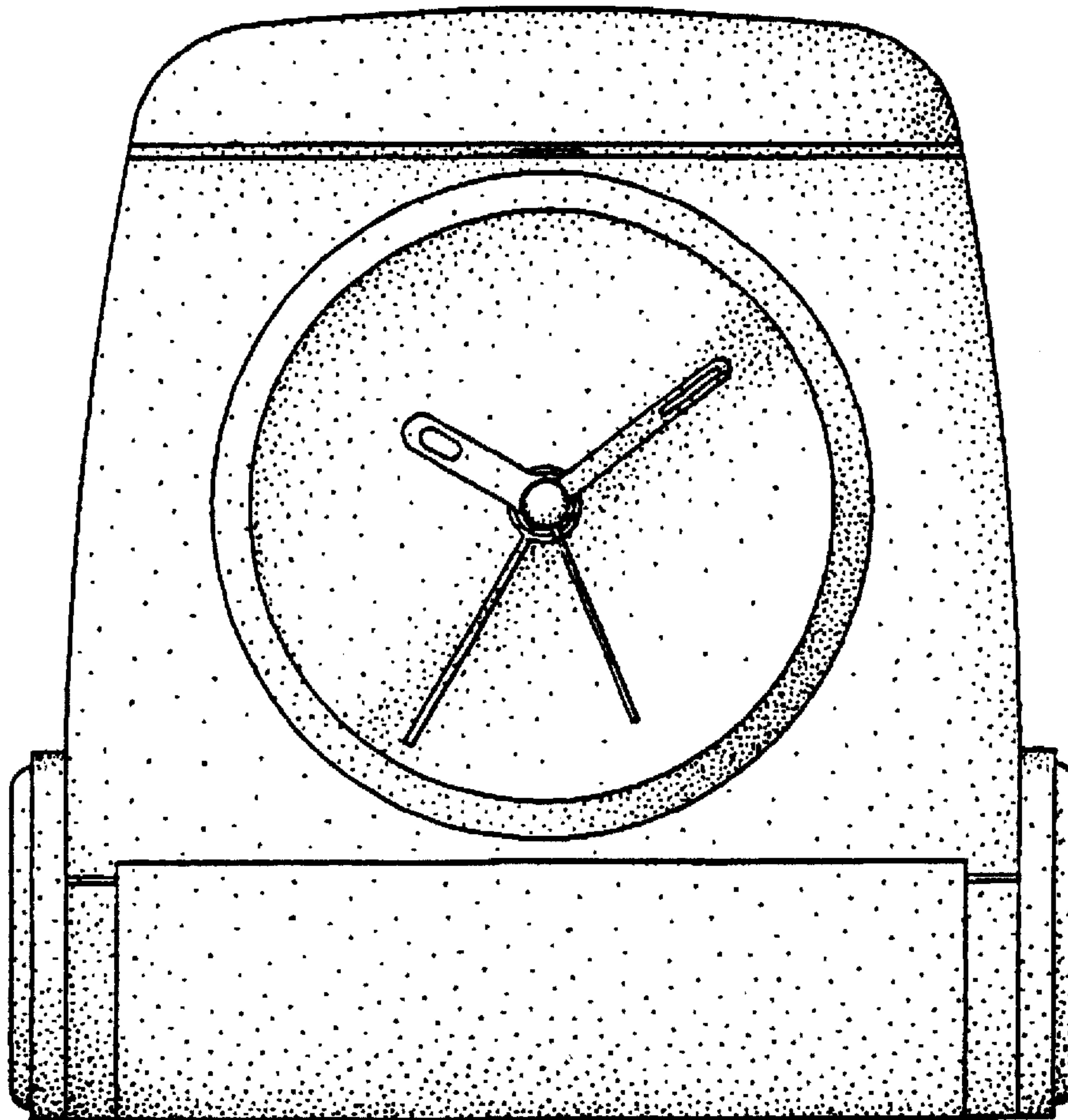


FIG. 1

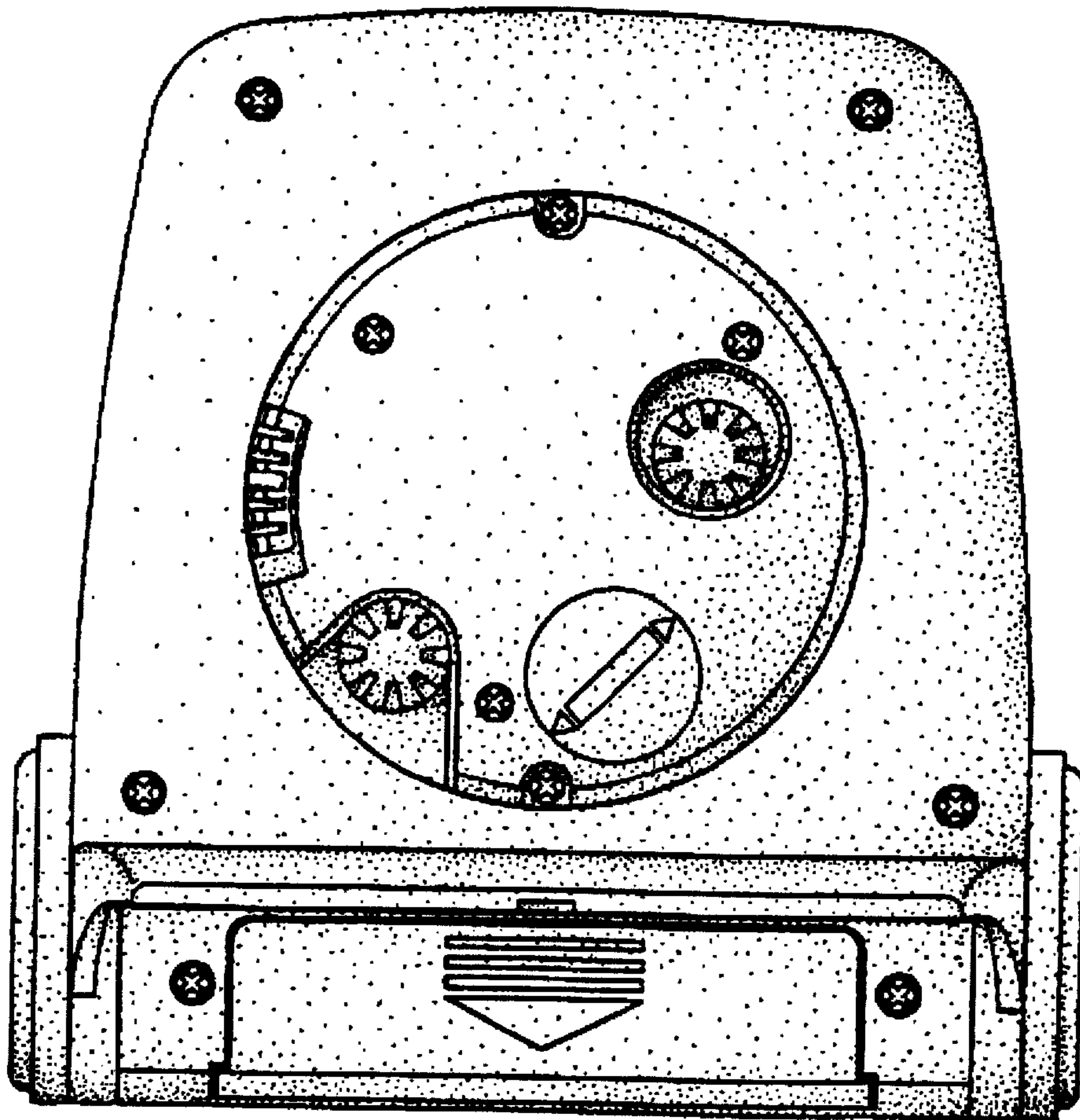


FIG. 2

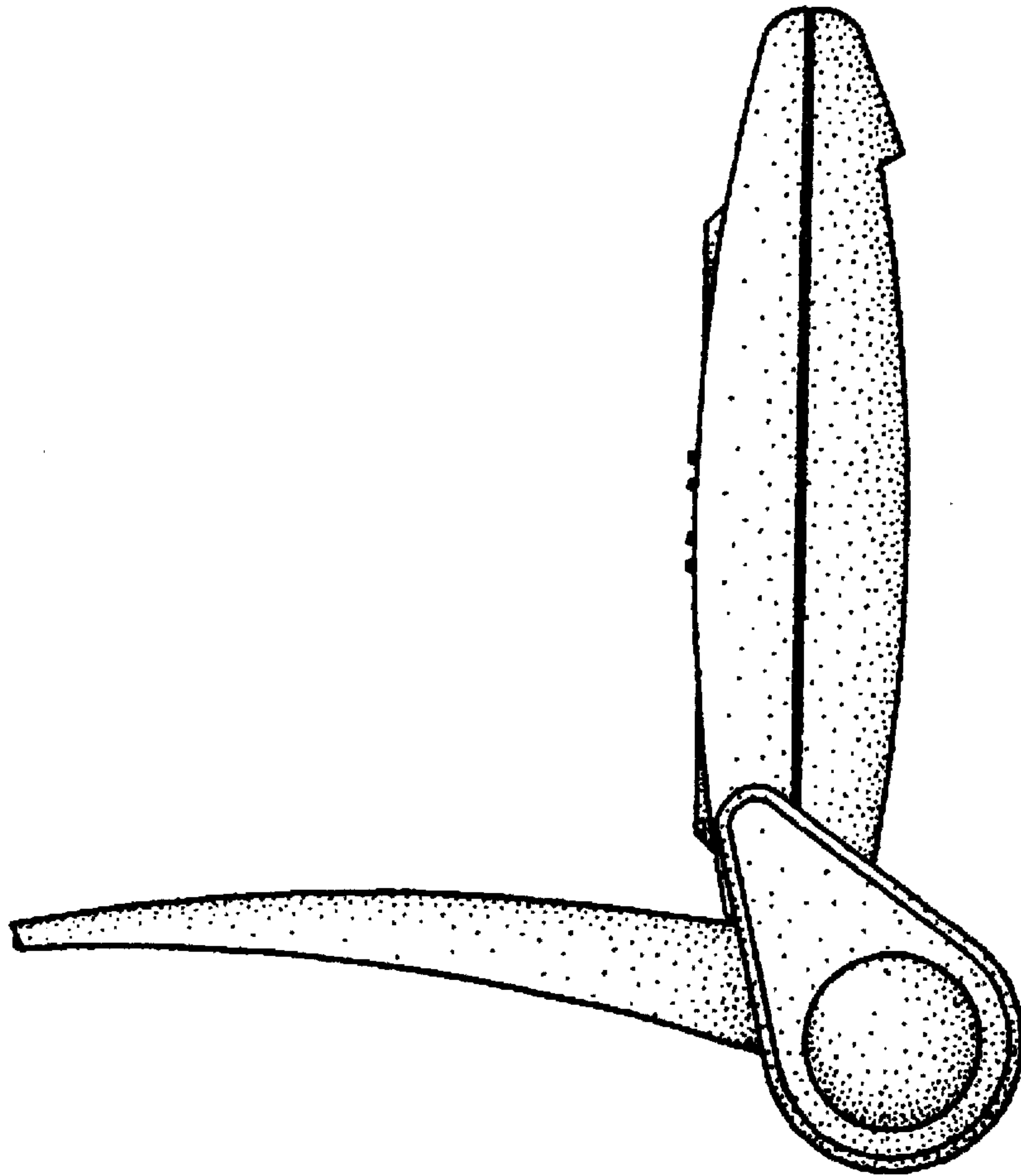


FIG. 3

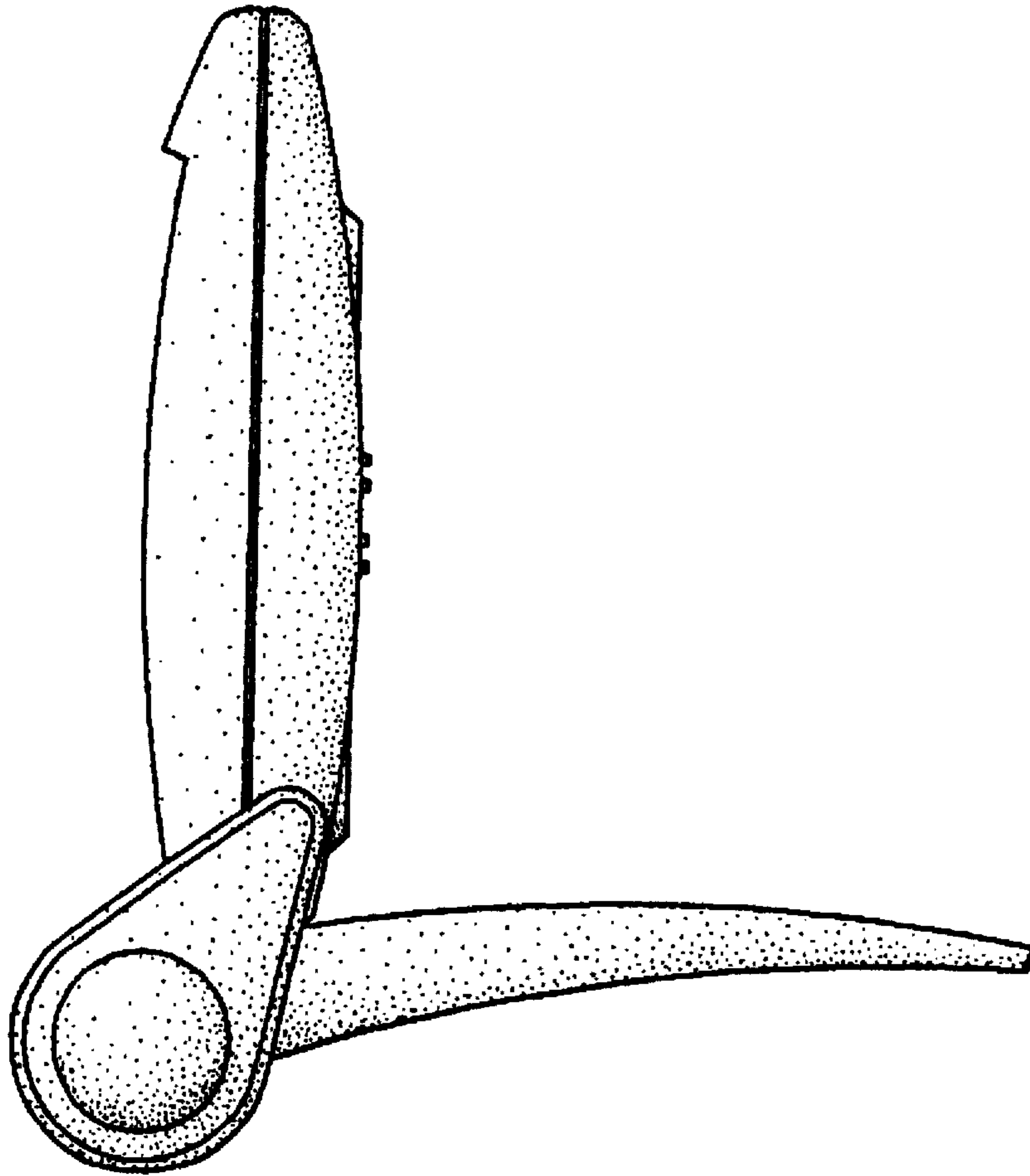


FIG. 4

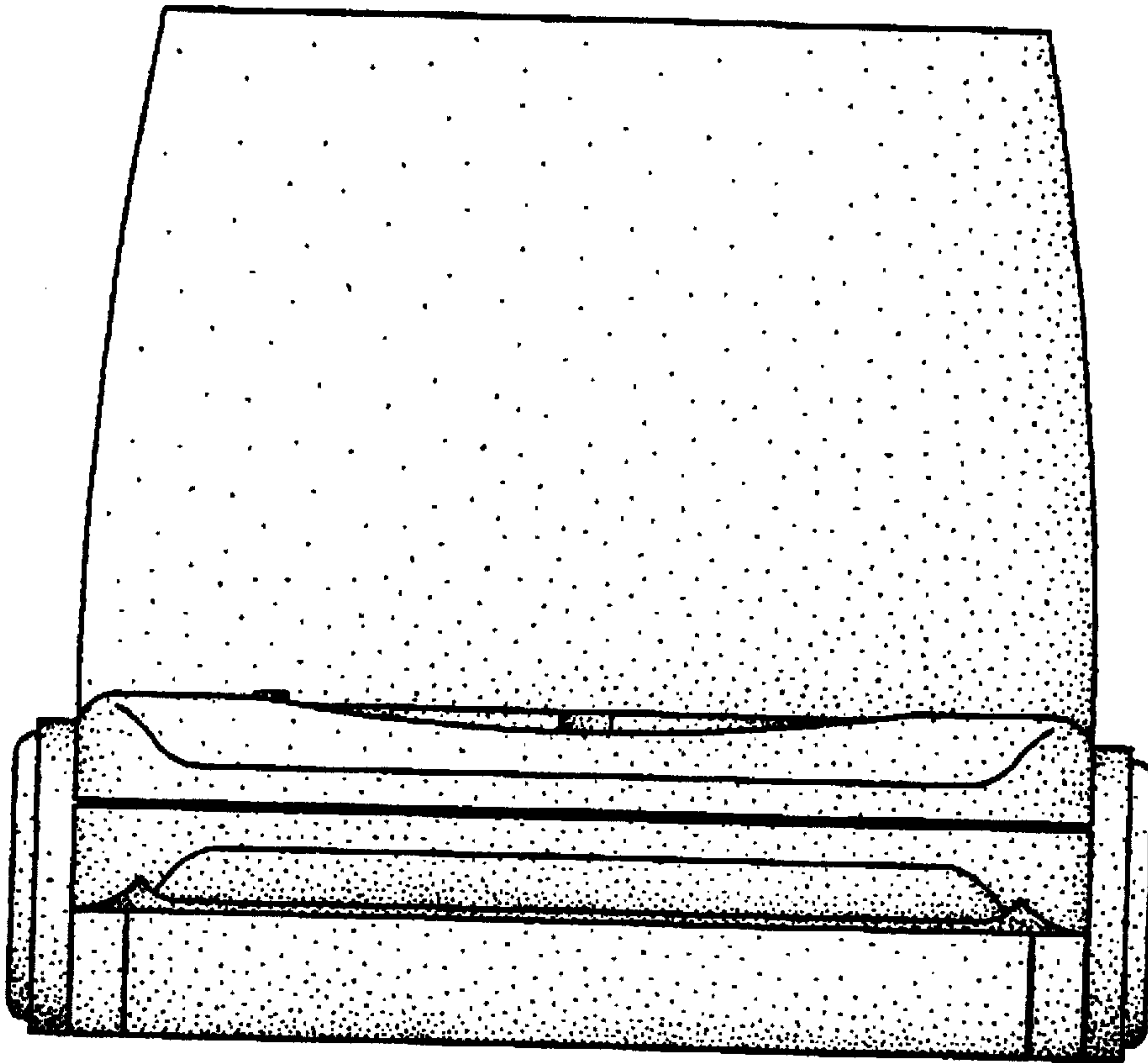


FIG. 5

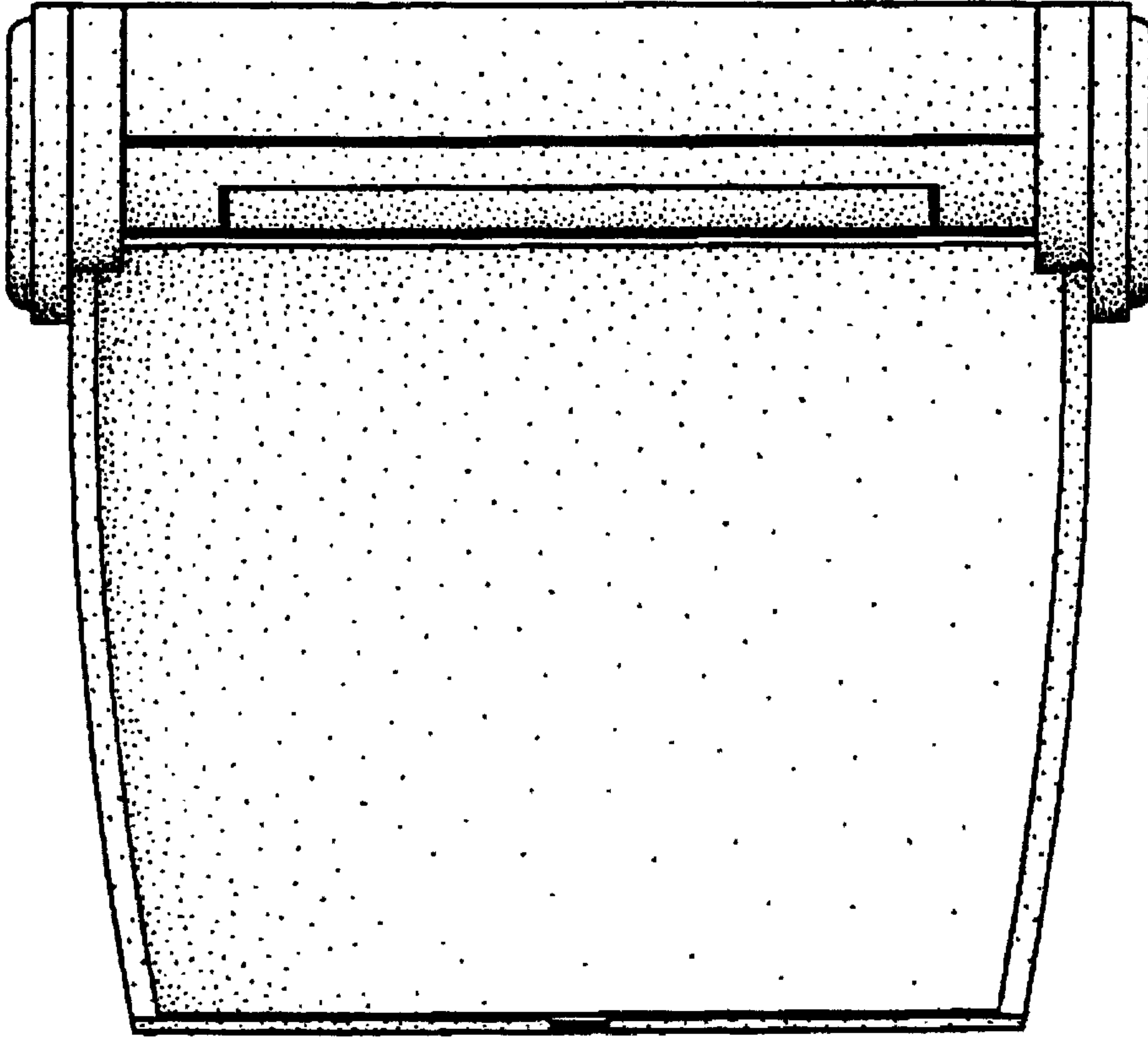


FIG. 6

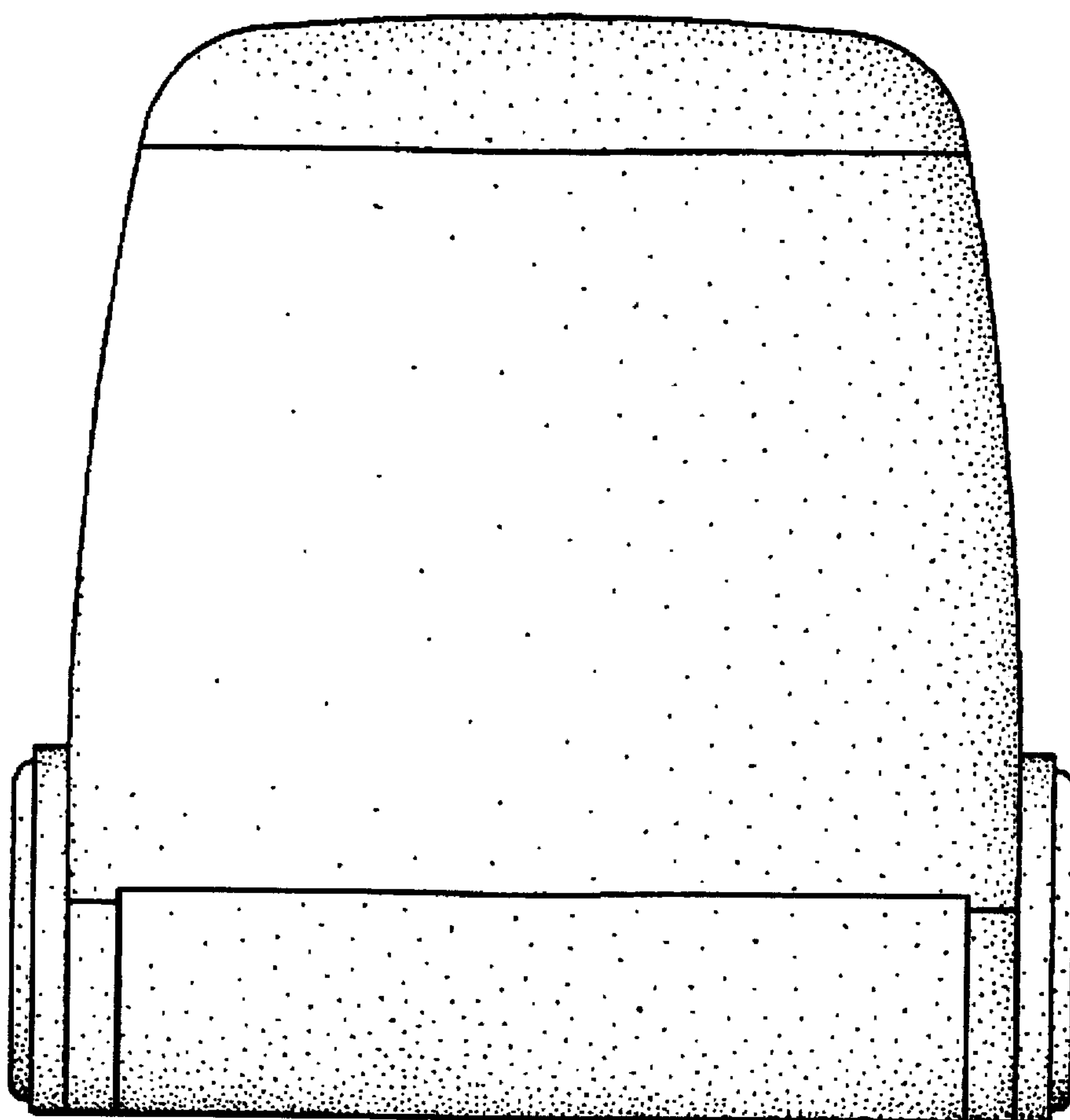


FIG. 7

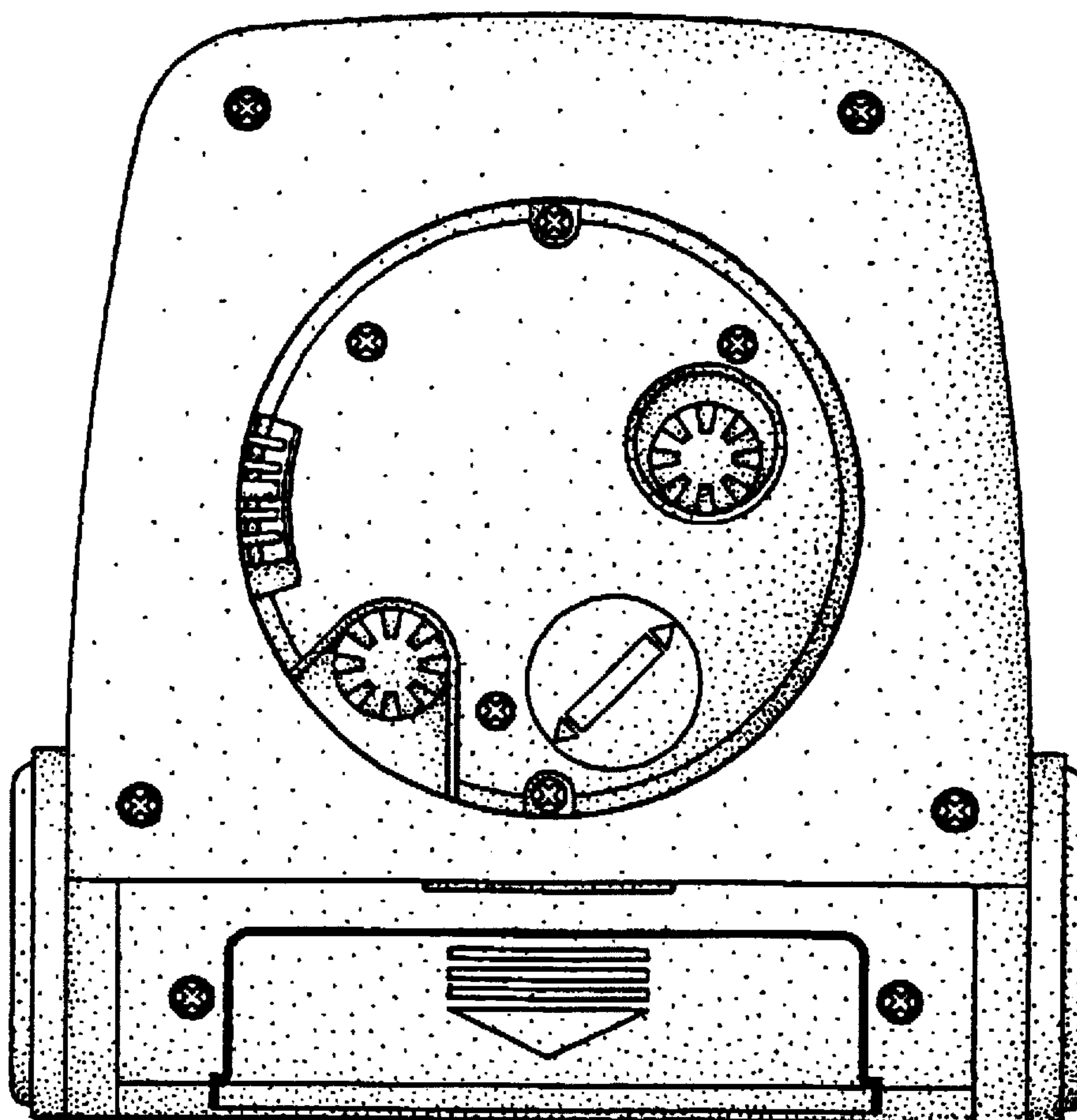


FIG. 8

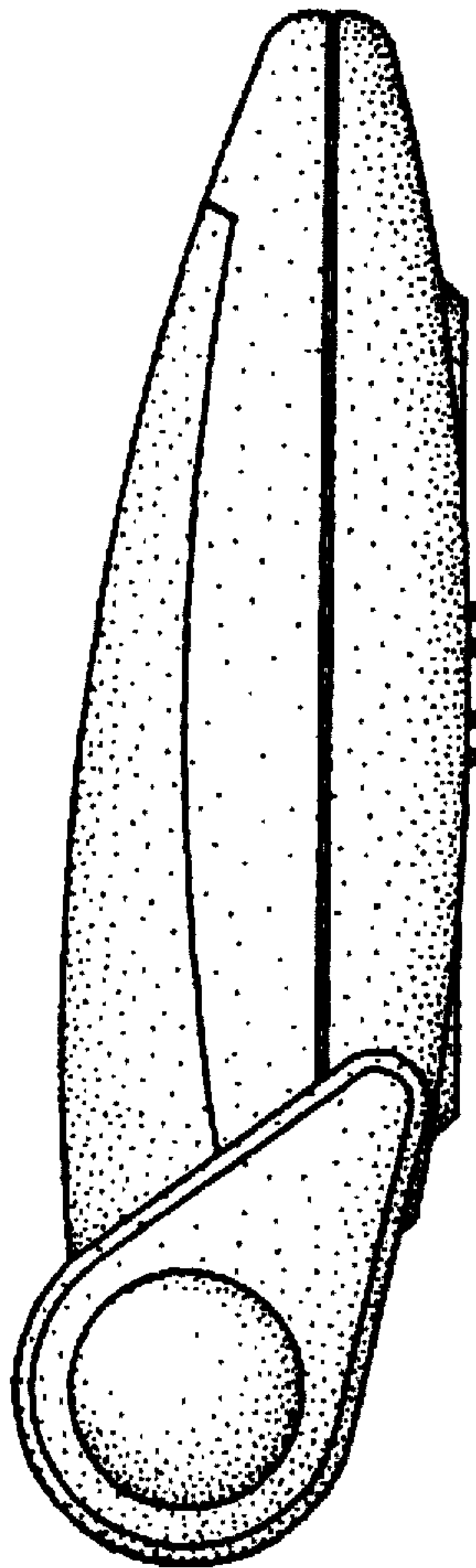


FIG. 9

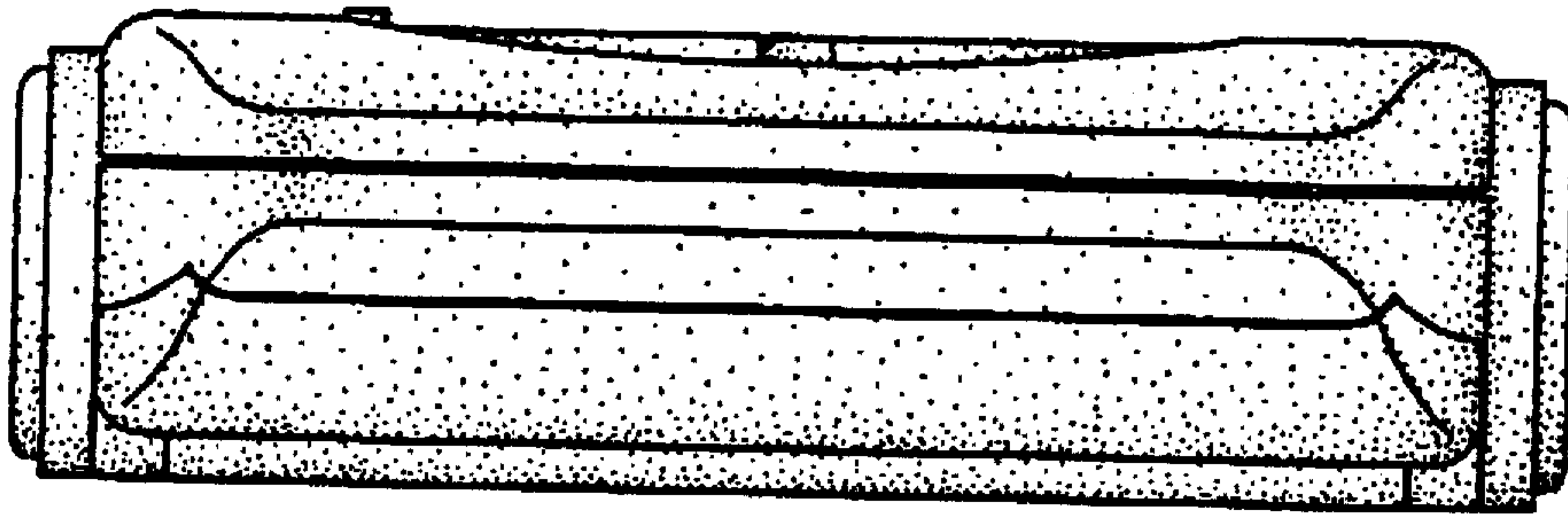


FIG. 10

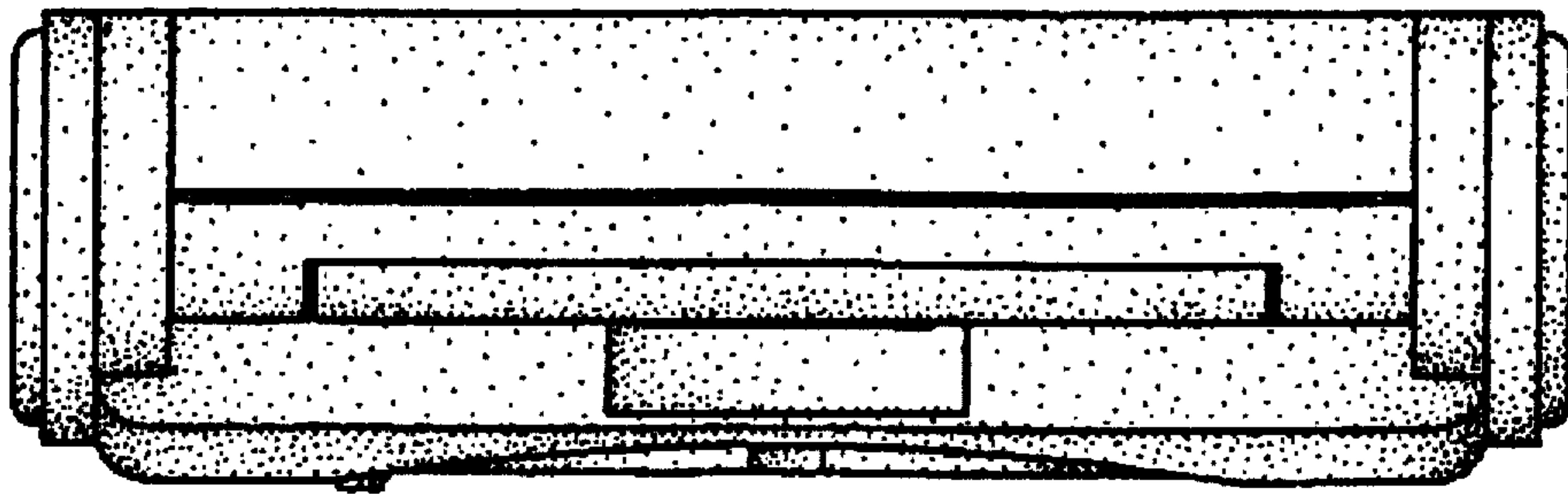


FIG. 11