



US00D387271S

United States Patent [19]
Bifulco

[11] **Patent Number: Des. 387,271**

[45] **Date of Patent: **Dec. 9, 1997**

[54] **PORTABLE MISTER**

5,072,884 12/1991 Ellison et al. 239/373
5,415,353 5/1995 Jackson 239/530

[76] **Inventor: Frank J. Bifulco, 528 Ashland Ave.,
Buffalo, N.Y. 14222**

OTHER PUBLICATIONS

[**] **Term: 14 Years**

Flying High catalog, item # s Handy sprayer, p. 8, Aug. 1995.

[21] **Appl. No.: 59,438**

Primary Examiner—Alan P. Douglas
Assistant Examiner—Robin V. Taylor
Attorney, Agent, or Firm—Hodgson, Russ, Andrews, Woods & Goodyear, LLP

[22] **Filed: Sep. 11, 1996**

[51] **LOC (6) CL 09-01**

[52] **U.S. Cl. D9/307; D9/300; D28/91.1;
D23/225**

[57] **CLAIM**

[58] **Field of Search D23/213, 223-226,
D23/229; D8/1, 2; D28/91.1; 222/402;
239/302, 308, 329, 315-318, 373, 525-530;
D9/300, 307**

The ornamental design for a portable mister, as shown and described.

DESCRIPTION

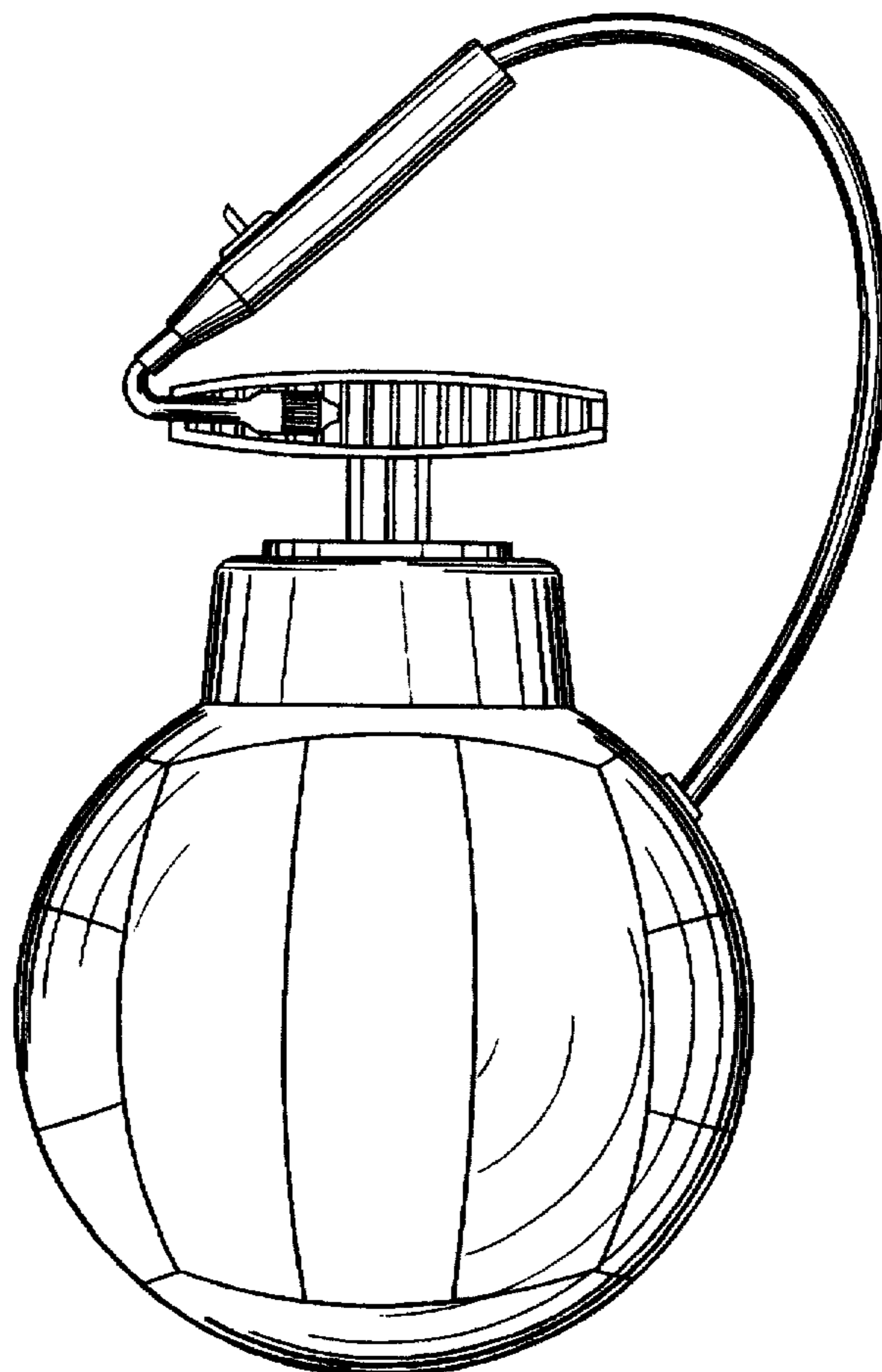
[56] **References Cited**

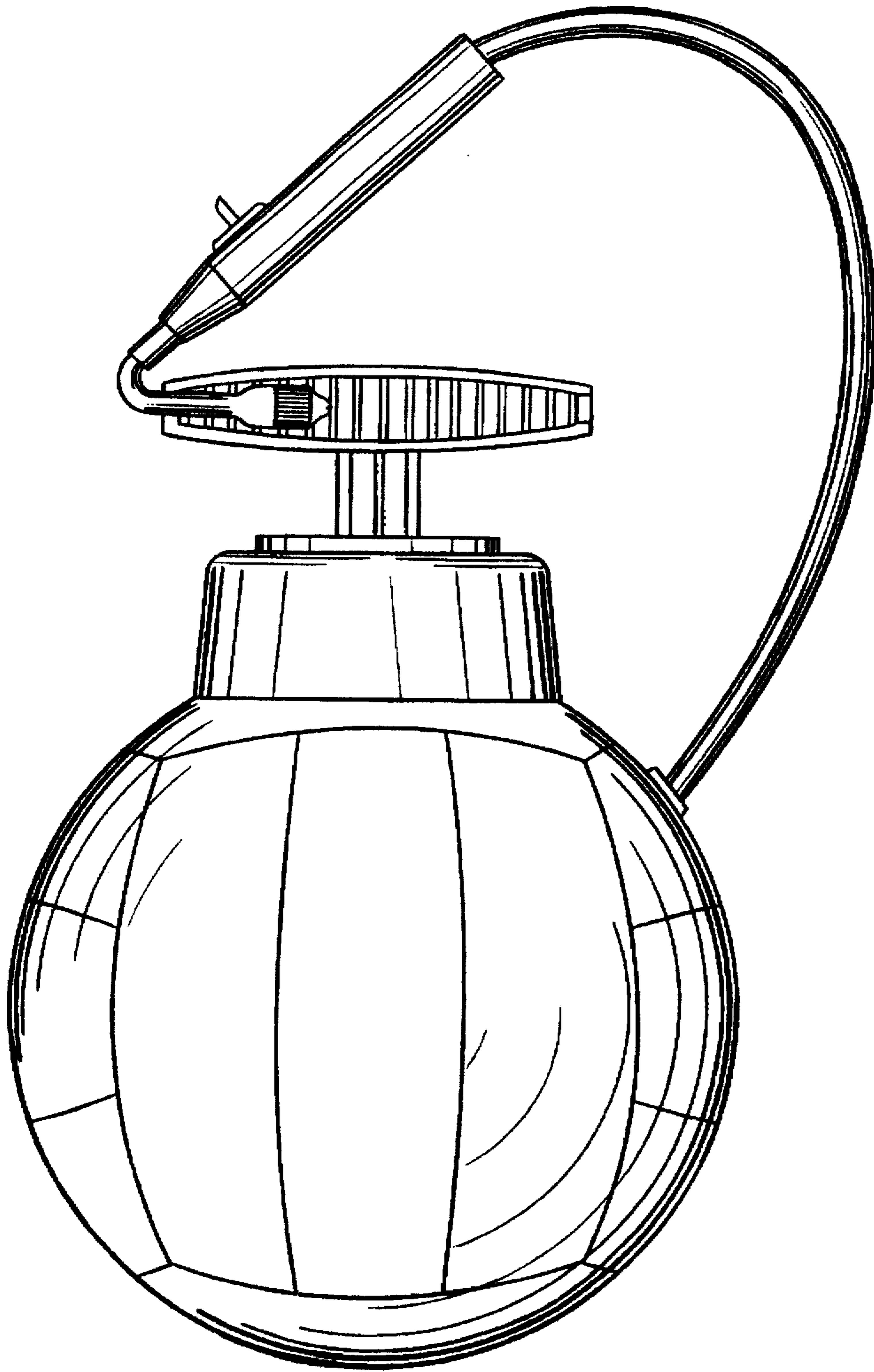
U.S. PATENT DOCUMENTS

- D. 312,297 11/1990 Ballu D23/225
- D. 340,072 10/1993 Turner D9/307
- D. 364,786 12/1995 Taylor et al. D8/2
- 1,867,890 7/1932 Pyn 239/525
- 2,579,646 12/1951 Branson 220/581
- 4,154,401 5/1979 Thompson 239/373
- 4,339,062 7/1982 Witt D9/307

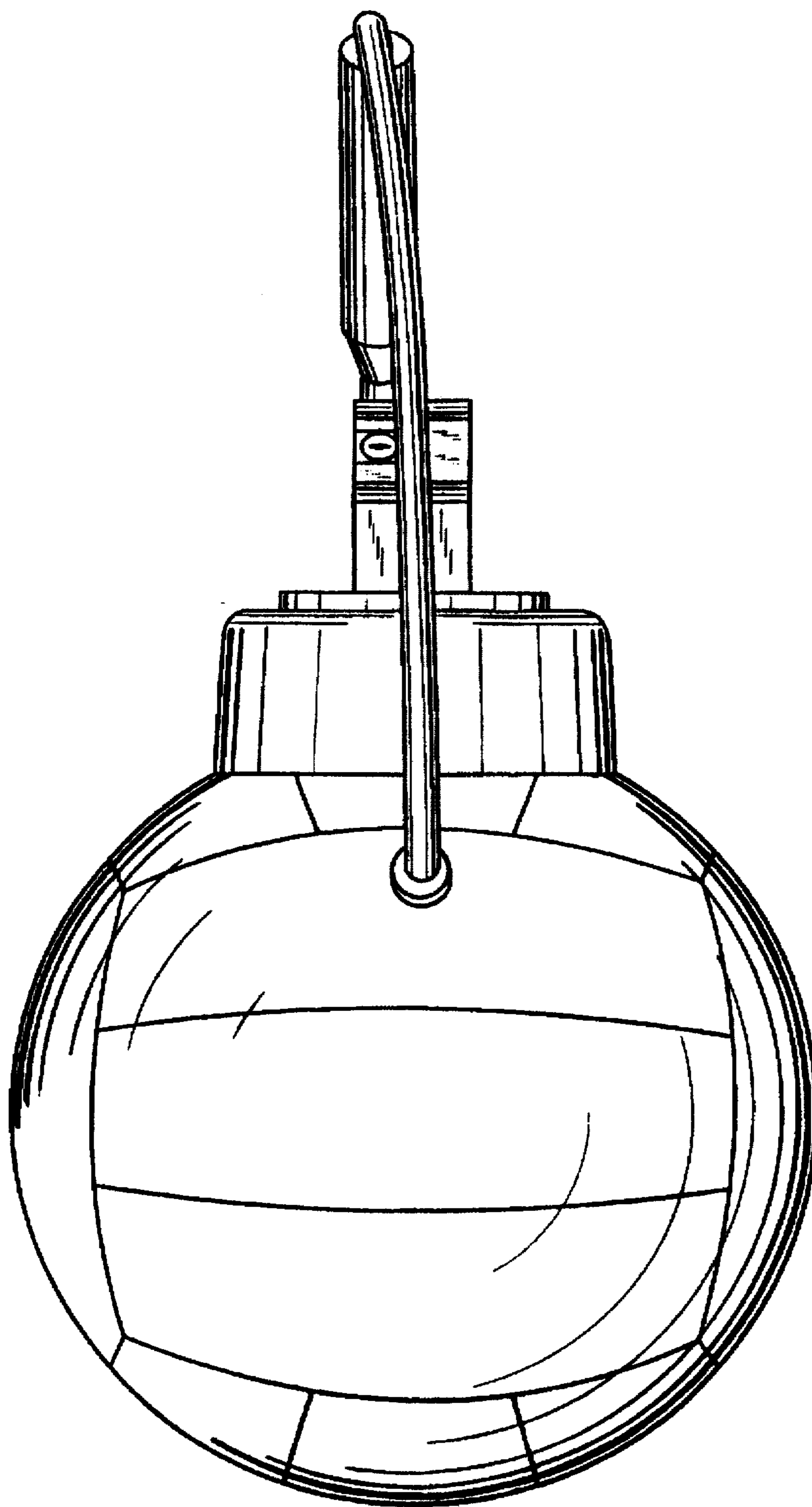
FIG. 1 is a side elevational view of a portable mister, showing my new design;
FIG. 2 is an end elevational view thereof;
FIG. 3 is a side elevational view thereof, taken from the side opposite that of FIG. 1;
FIG. 4 is an end elevational view thereof, taken from the end opposite that of FIG. 2;
FIG. 5 is a top plan view thereof; and,
FIG. 6 is a bottom plan view thereof.

1 Claim, 6 Drawing Sheets

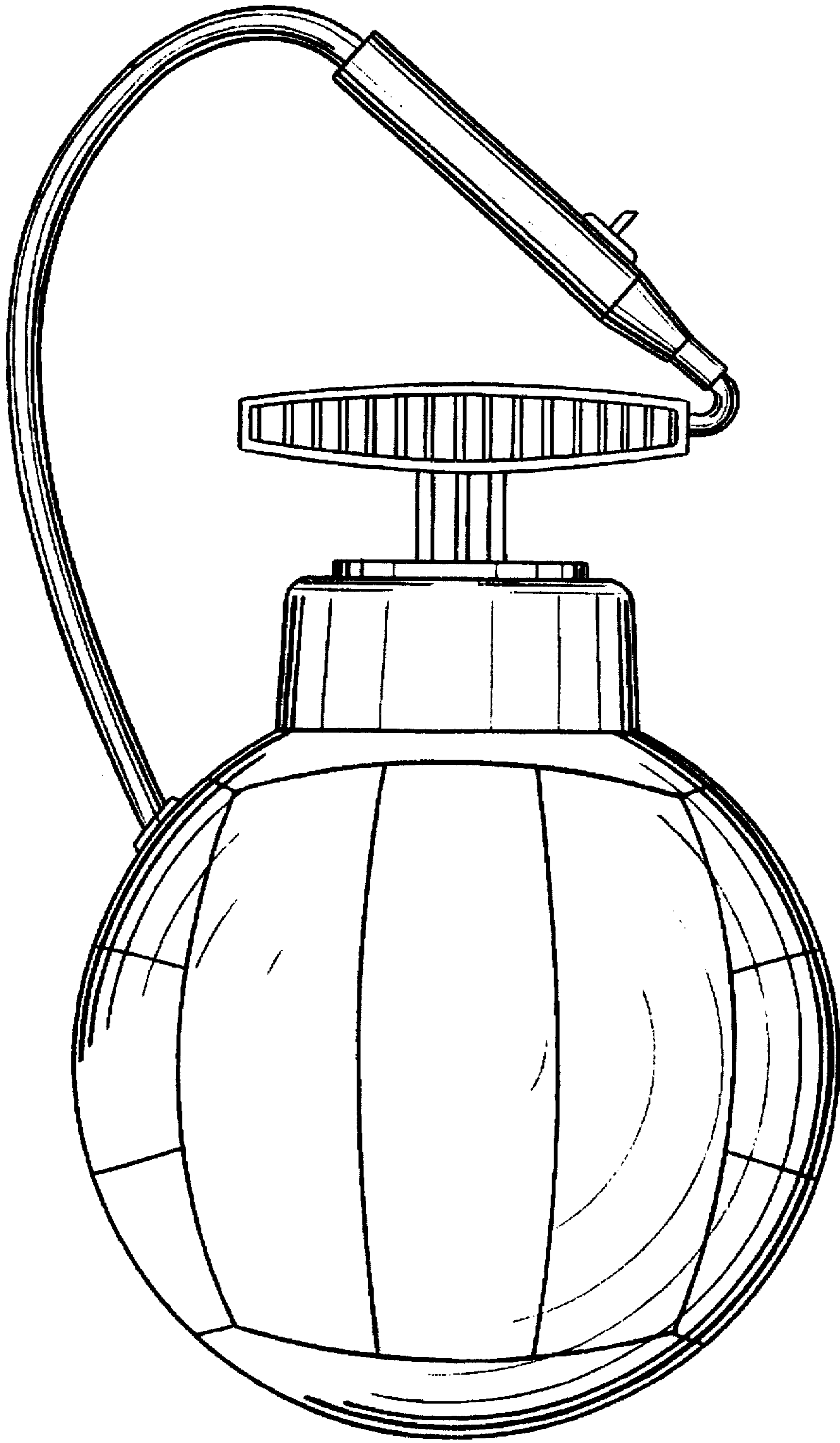




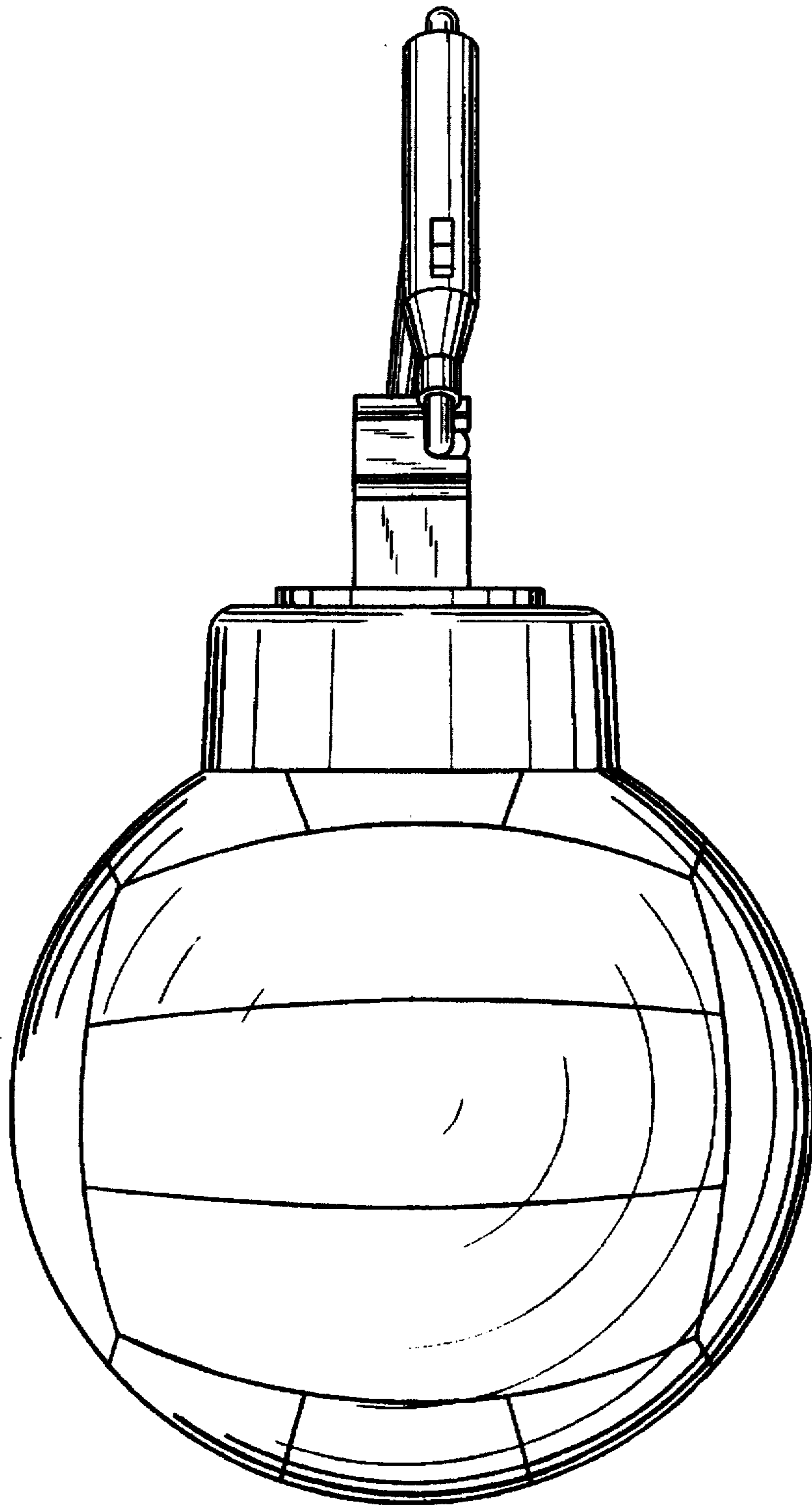
—FIG. 1



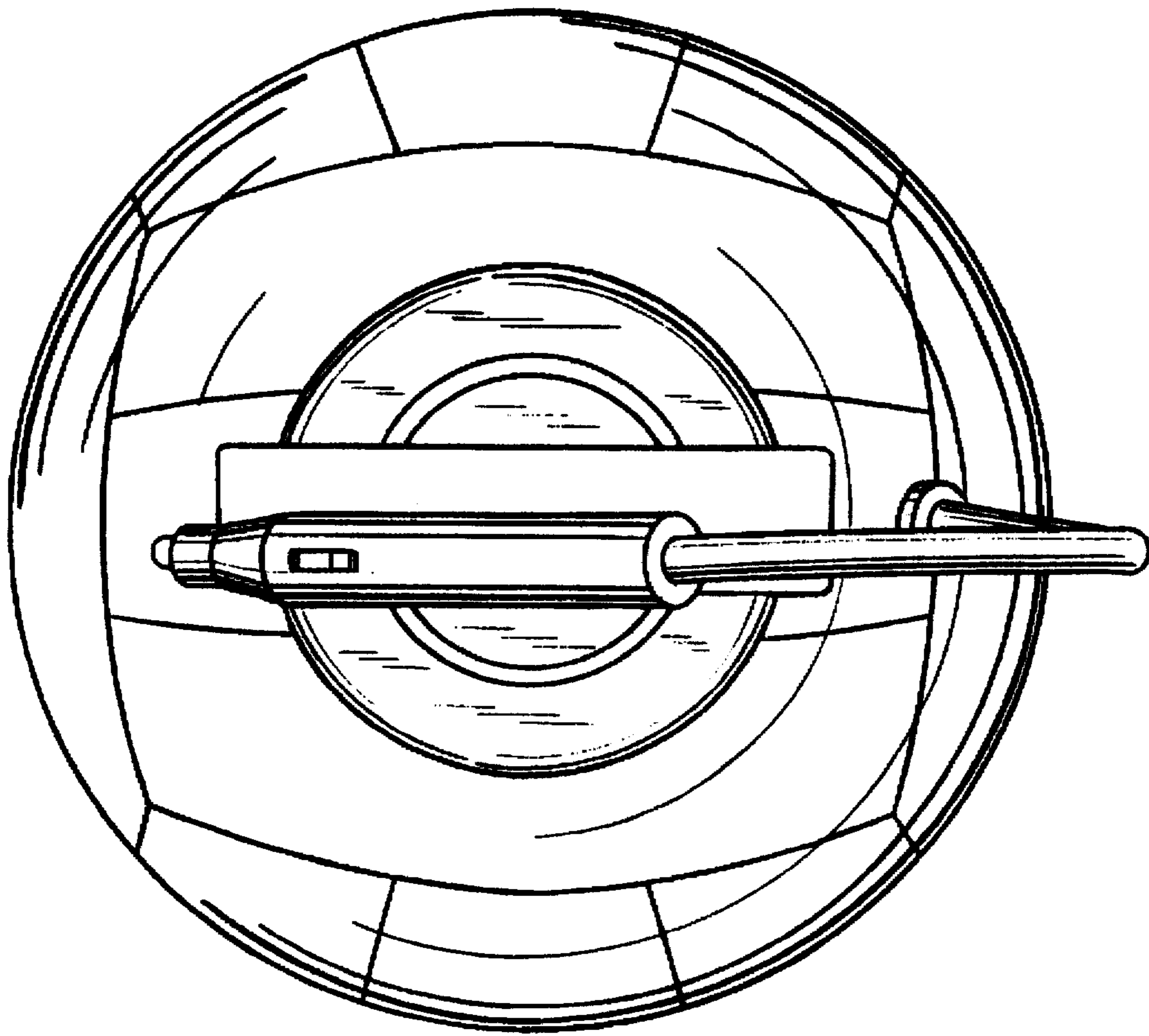
—FIG. 2



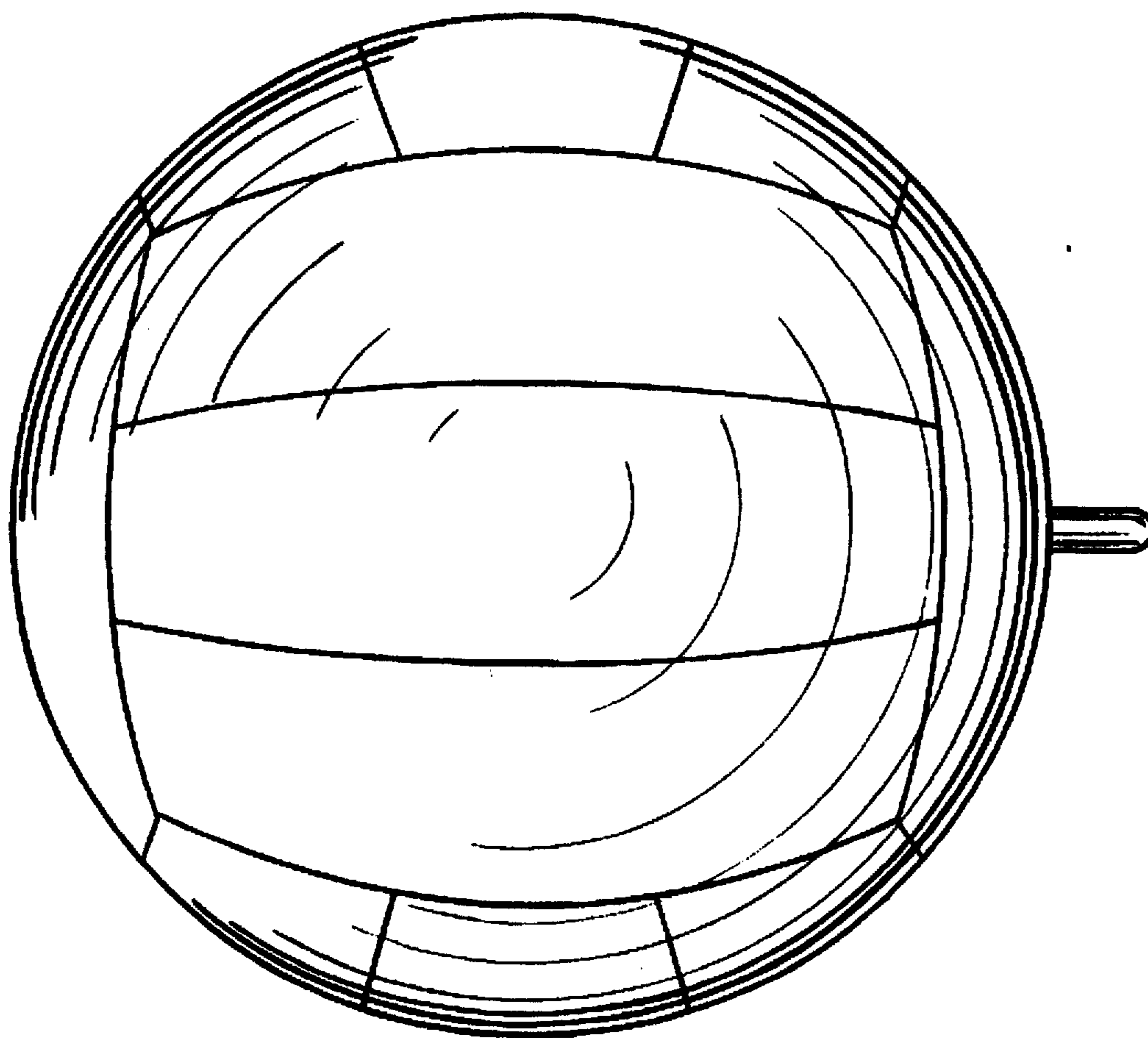
—FIG. 3



—FIG. 4



—FIG. 5



—FIG. 6