

US00D387260S

United States Patent [19]
Hattori

[11] **Patent Number: Des. 387,260**

[45] **Date of Patent: **Dec. 9, 1997**

[54] **PNEUMATIC SCREW DRIVING MACHINE**

[75] **Inventor: Takeo Hattori, Tokyo, Japan**

[73] **Assignee: Max Co., Ltd., Tokyo, Japan**

[**] **Term: 14 Years**

[21] **Appl. No.: 57,186**

[22] **Filed: Jul. 18, 1996**

[30] **Foreign Application Priority Data**

Jan. 23, 1996 [JP] Japan 8-1296

[51] **LOC (6) Cl. 08-01**

[52] **U.S. Cl. D8/69**

[58] **Field of Search** D8/61, 69, 68;
81/44, 45, 46, 57.37, 433, 434; 277/7, 8,
10, 100, 114, 120, 130, 131, 132, 152

[56] **References Cited**

U.S. PATENT DOCUMENTS

- D. 334,329 3/1993 Ogawa et al. D8/68
- D. 337,252 7/1993 Tsuru et al. D8/69
- D. 338,819 8/1993 Ohkouchi D8/69

- D. 358,749 5/1995 Matsunaga et al. D8/69
- 5,131,579 7/1992 Okushima et al. 227/8
- 5,217,153 6/1993 Yamamoto et al. 227/130
- 5,267,682 12/1993 Okouchi 227/120 X

Primary Examiner—Antoine Duval Davis
Attorney, Agent, or Firm—Cushman Darby & Cushman
Intellectual Property Group of Pillsbury Madison & Sutro
LLP

[57] **CLAIM**

The ornamental design for a pneumatic screw driving machine, as shown and described.

DESCRIPTION

FIG. 1 is a perspective view of the top, front and left side of a pneumatic screw driving machine showing my new design;

FIG. 2 is a front view thereof;

FIG. 3 is a rear view thereof;

FIG. 4 is a left side view thereof;

FIG. 5 is a right side view thereof;

FIG. 6 is a top plan view thereof; and,

FIG. 7 is a bottom view thereof.

1 Claim, 6 Drawing Sheets

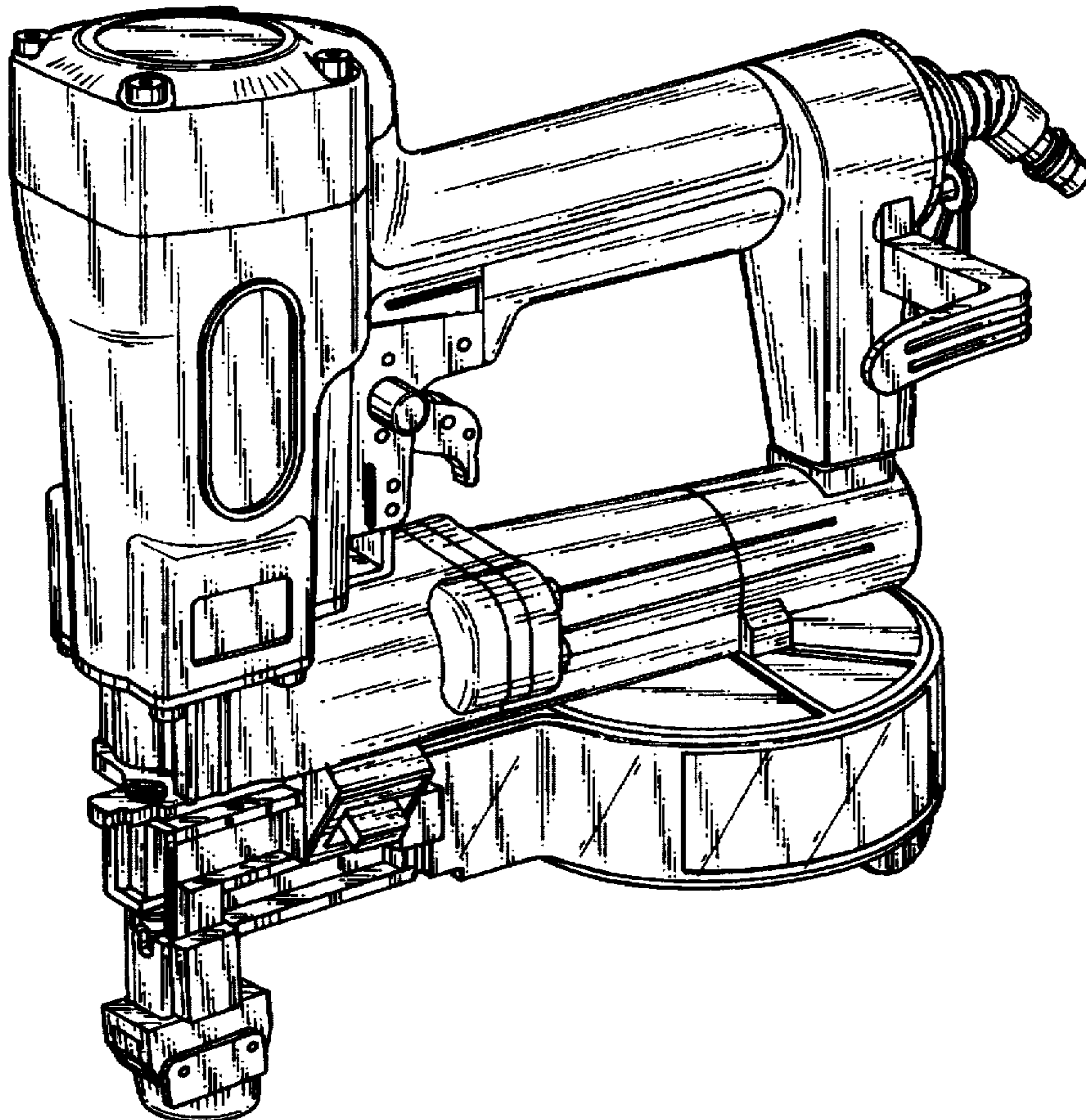


Fig. 1

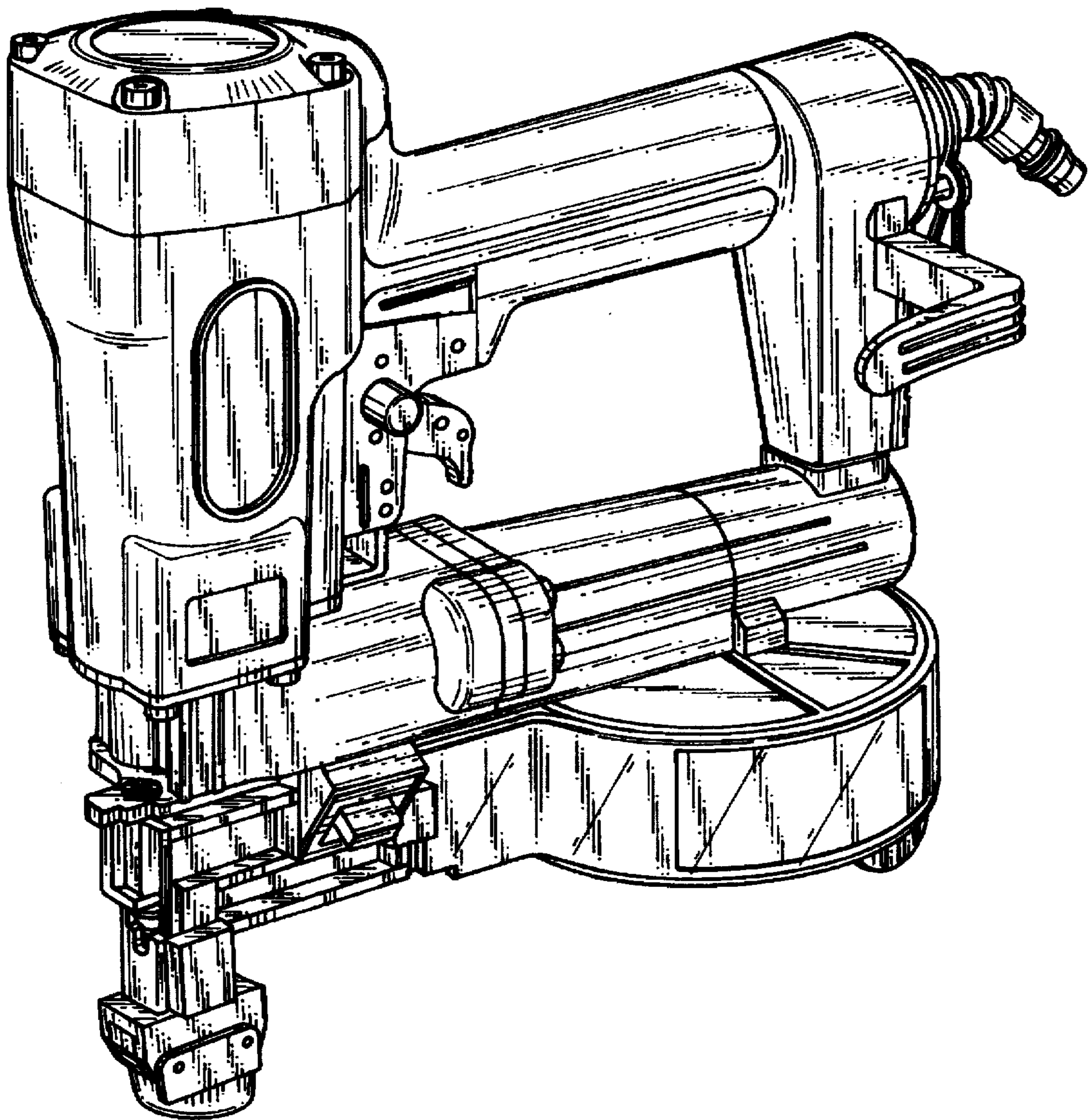


Fig. 2

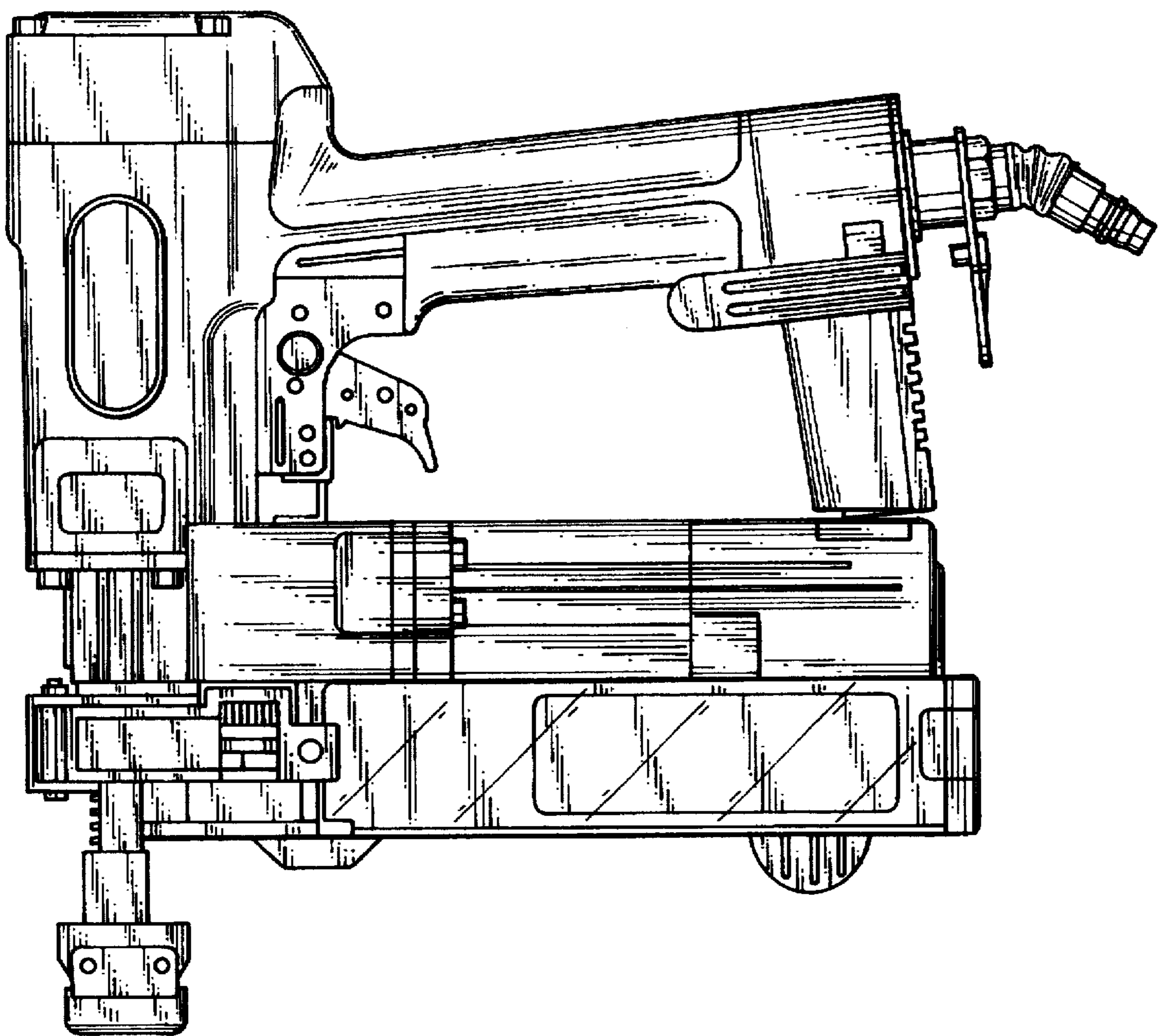


Fig. 3

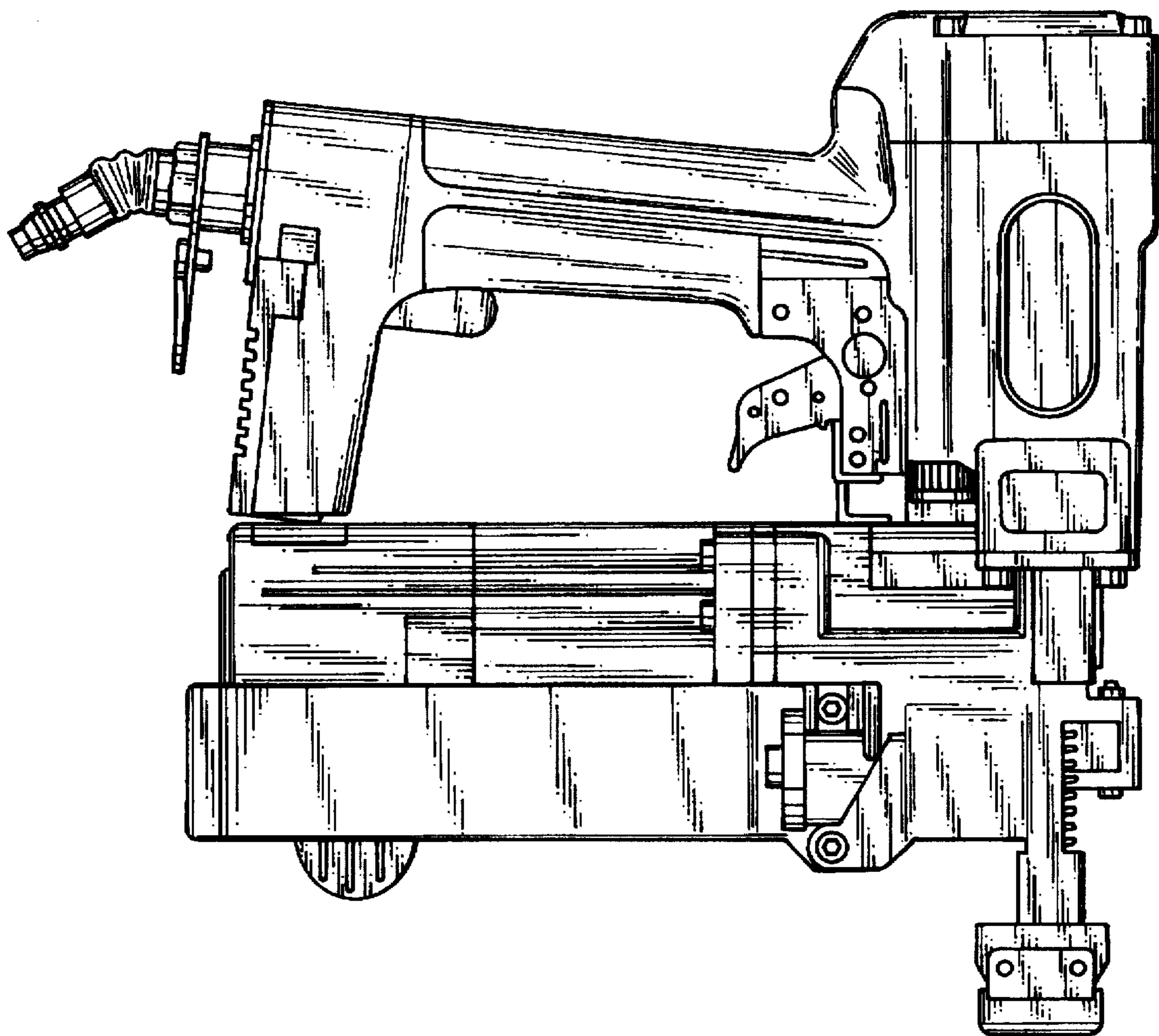


Fig. 4

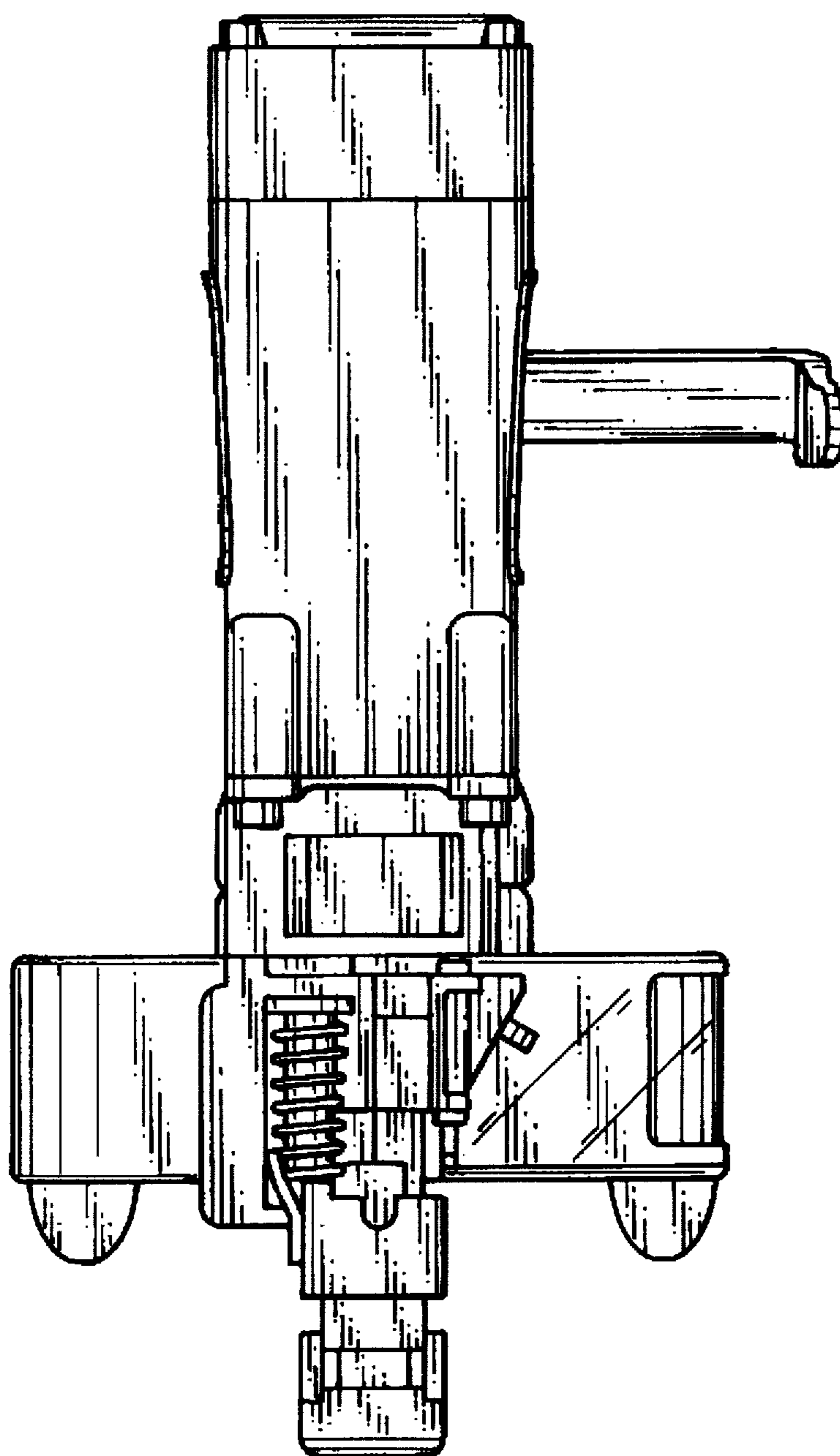


Fig. 5

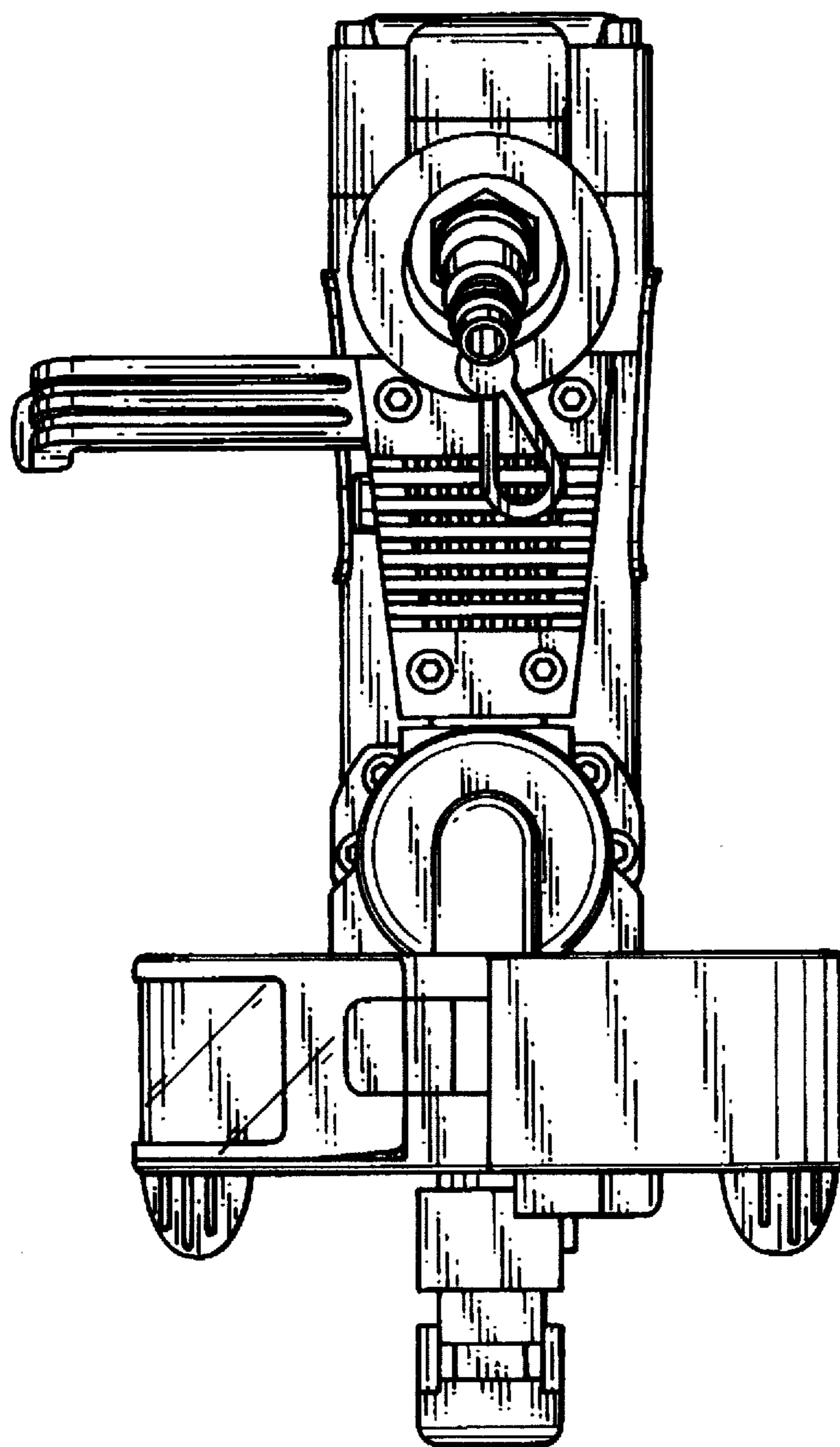


Fig. 6

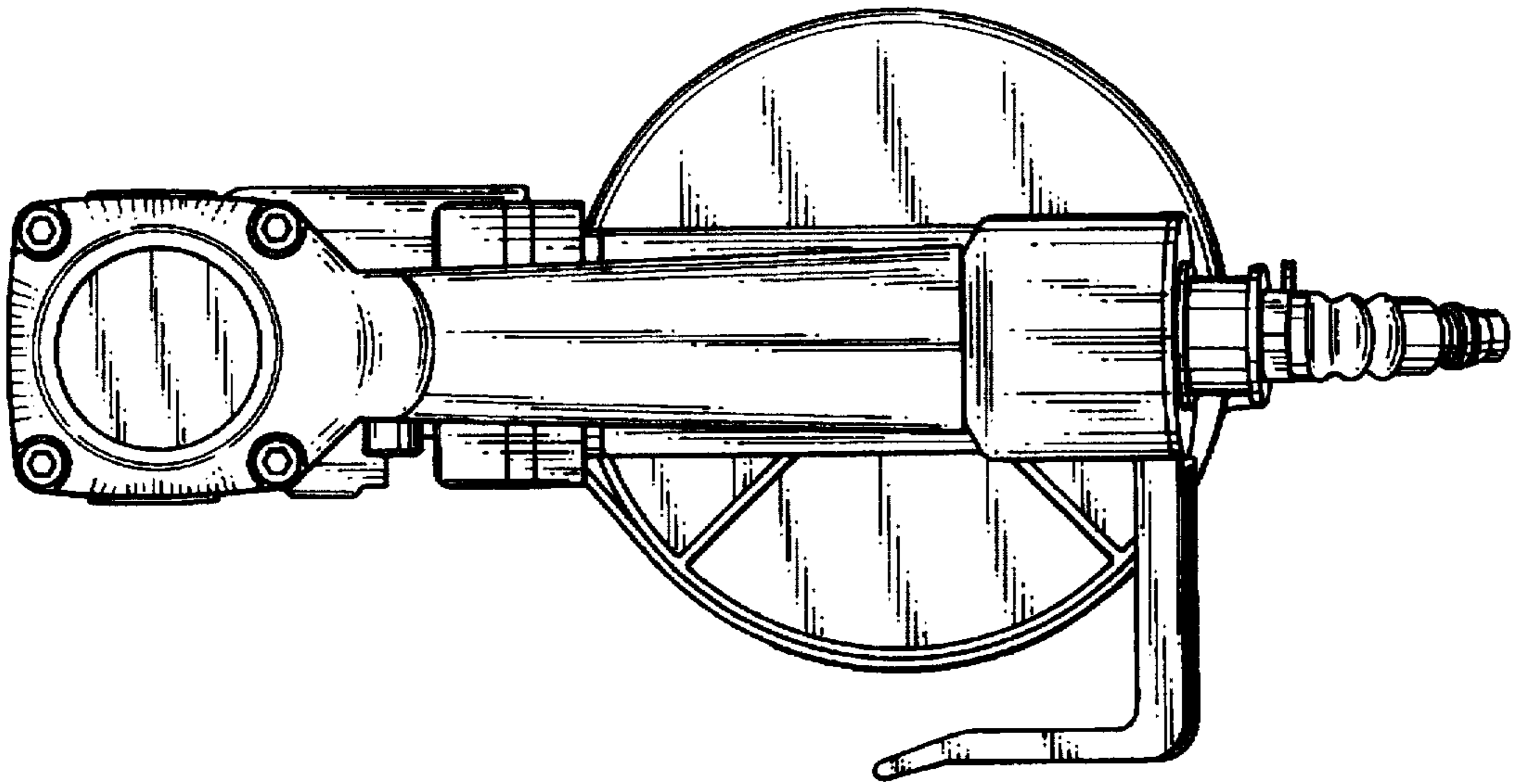


Fig. 7

