

US00D387259S

United States Patent [19]

Braddock et al.

[11] Patent Number: **Des. 387,259**

[45] Date of Patent: ****Dec. 9, 1997**

[54] **PNEUMATIC COIL NAILER**

[75] Inventors: **C. Kerwin Braddock**, Cincinnati, Ohio; **Richard C. Cummins**, Florence, Ky.; **Michael L. Ernst**, Cincinnati, Ohio; **William H. Morrison, Jr.**, Plainfield, Ind.; **Donald C. Ries**, Loveland, Ohio; **Dennis E. Stivers**, Sardinia, Ohio; **Robert E. Niehaus**, Mason, Ohio

[73] Assignee: **Senco Products, Inc.**, Cincinnati, Ohio

[**] Term: **14 Years**

[21] Appl. No.: **50,862**

[22] Filed: **Feb. 28, 1996**

[51] LOC (6) Cl. **08-03**

[52] U.S. Cl. **D8/69**

[58] Field of Search D8/69; 81/44, 81/45, 46, 57, 37; 227/120, 130, 131, 132

[56] **References Cited**

U.S. PATENT DOCUMENTS

- D. 211,207 5/1968 Bader D54/14
- D. 307,234 4/1990 Fushiya et al. D8/69
- D. 316,022 4/1991 Moraht D8/69
- D. 323,964 2/1992 Ogawa et al. D8/69
- D. 332,561 1/1993 Fushiya et al. D8/69

- D. 334,329 3/1993 Ogawa et al. D8/69 X
- D. 337,252 7/1993 Tsuru et al. D8/69
- D. 338,606 8/1993 Oda D8/69
- D. 338,818 8/1993 Katsuba D8/62
- D. 338,819 8/1993 Ohkochi D8/69
- D. 358,749 5/1995 Matsunaga et al. D8/69

OTHER PUBLICATIONS

Operating Instructions, Senco SCN 200R; Aug. 1, 1991.
Operating Instructions, Senco SCN 250D, Mar. 4, 1991.

Primary Examiner—Antoine Duval Davis
Attorney, Agent, or Firm—Jerrold J. Litzinger

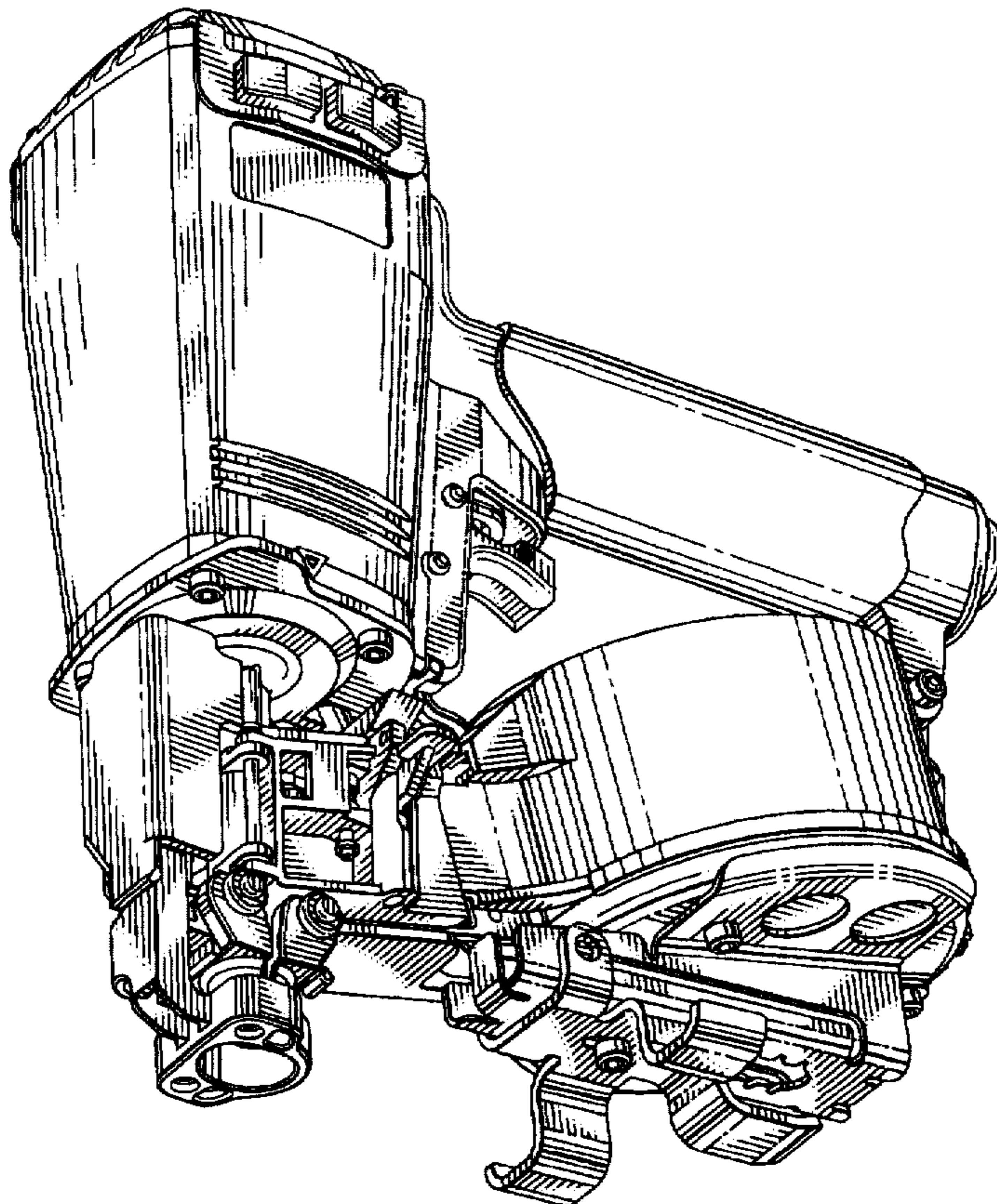
[57] **CLAIM**

The ornamental design for a pneumatic coil nailer, as shown and described.

DESCRIPTION

FIG. 1 is a perspective view of a pneumatic coil nailer showing our new designs, looking at the bottom, front, and left side;
FIG. 2 is a left side elevational view thereof;
FIG. 3 is a top plan view thereof;
FIG. 4 is a rear elevational view thereof;
FIG. 5 is a bottom plan view thereof;
FIG. 6 is a front elevational view thereof; and,
FIG. 7 is a right side elevational view thereof.

1 Claim, 7 Drawing Sheets



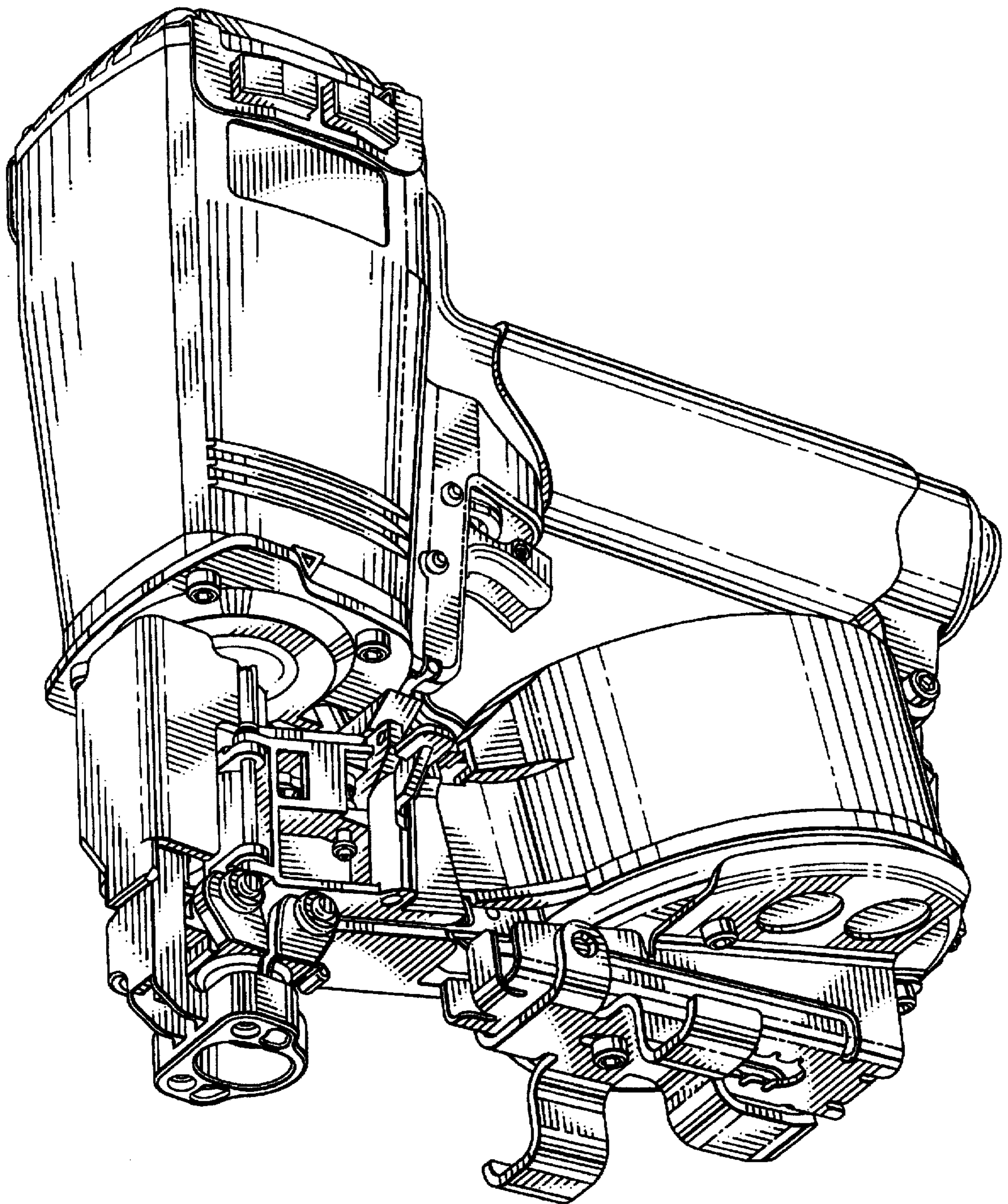


FIG. 1

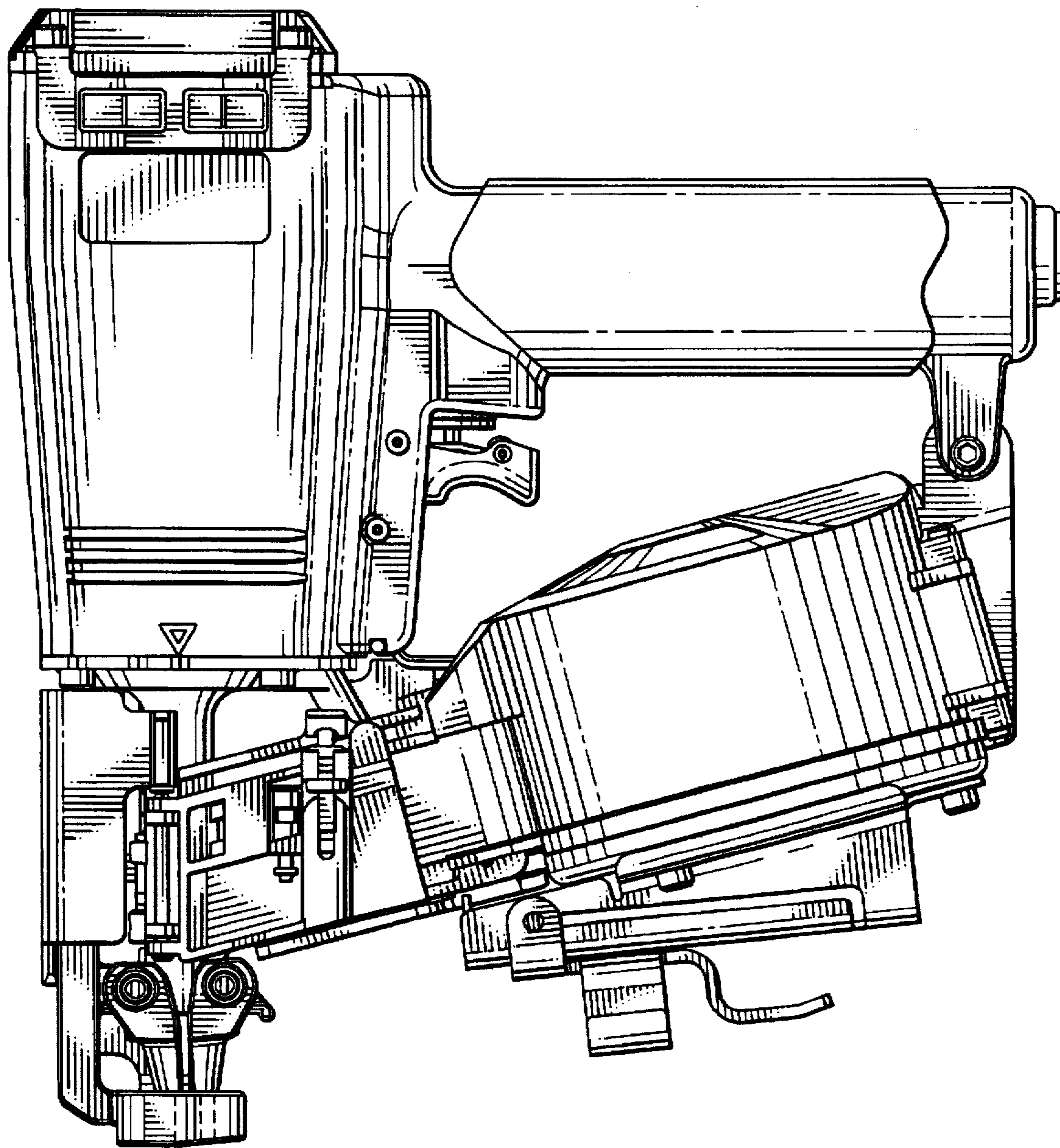


FIG. 2

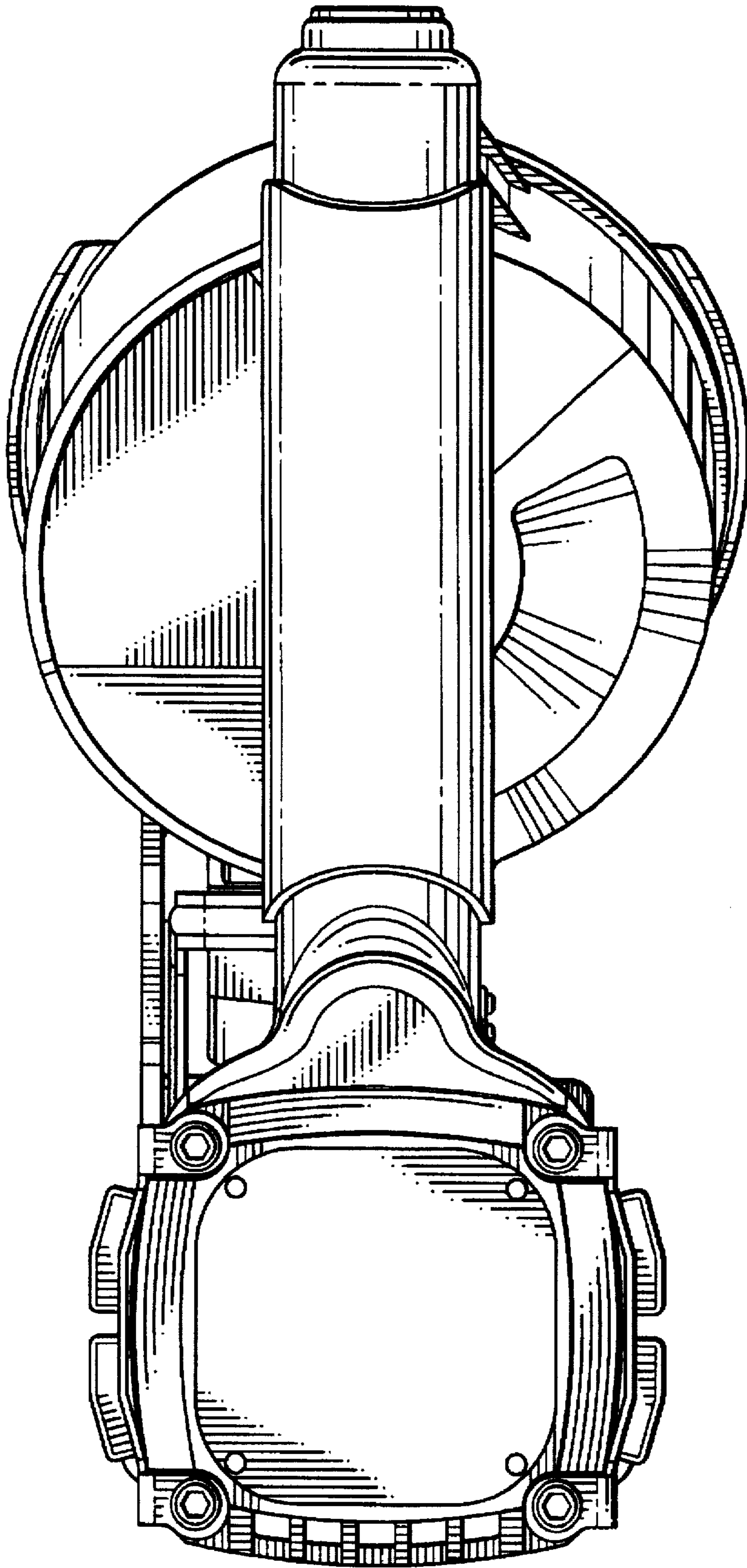


FIG. 3

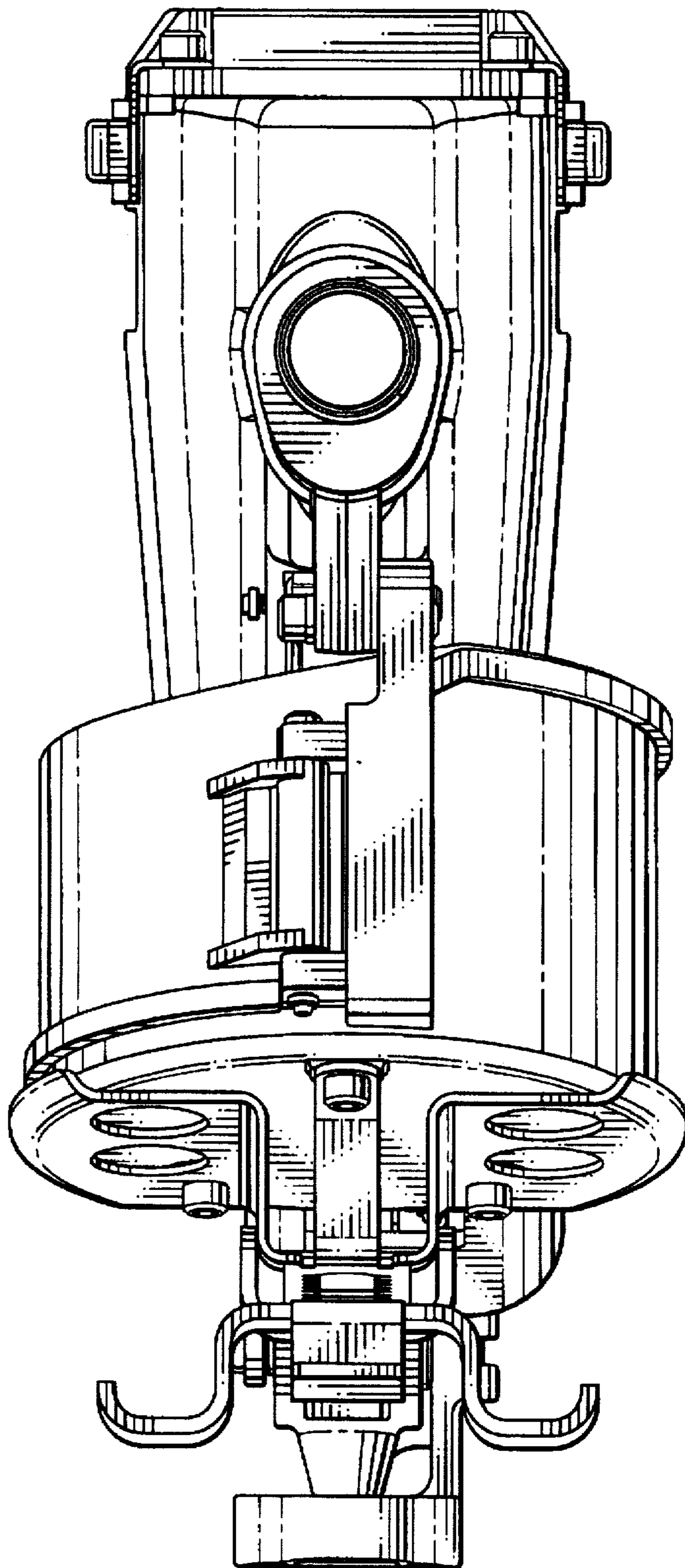


FIG. 4

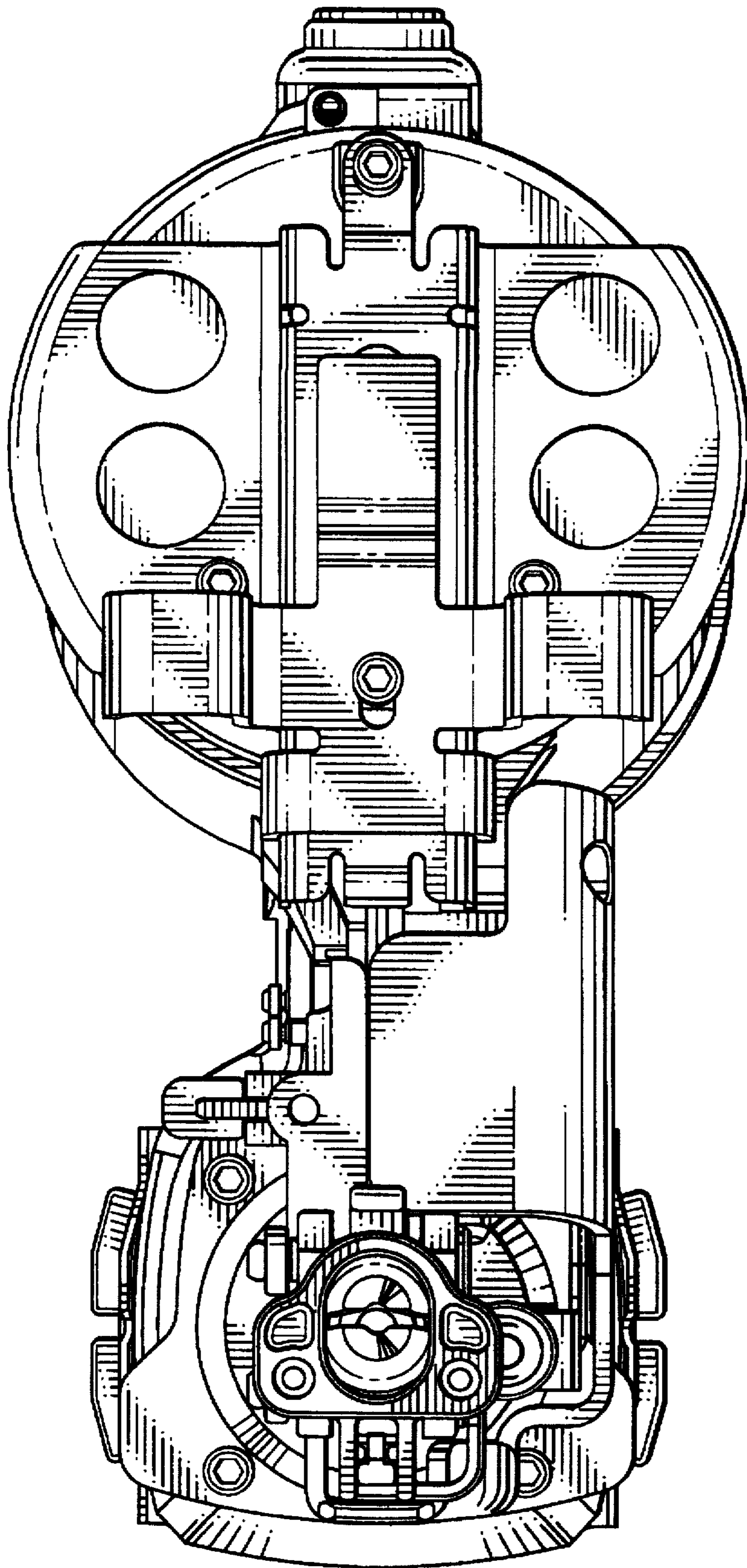


FIG. 5

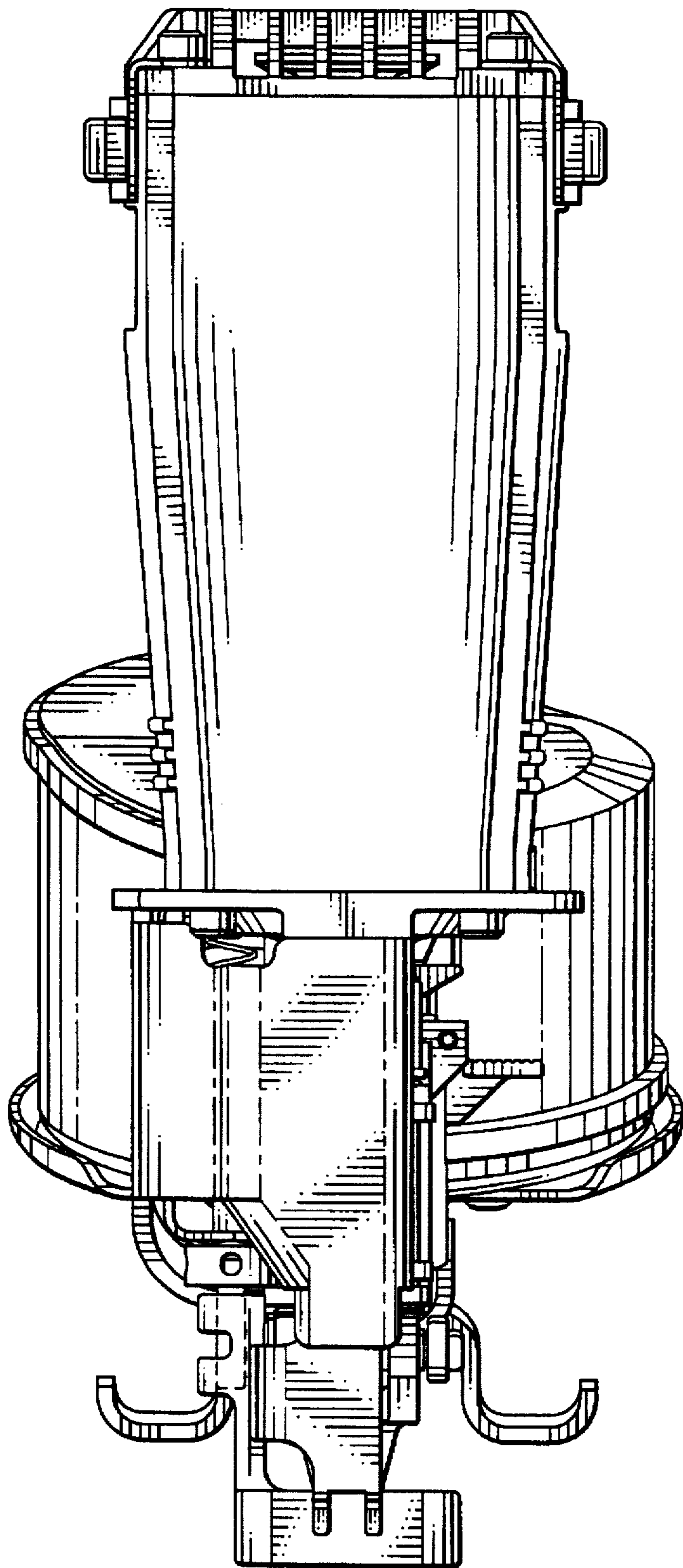


FIG. 6

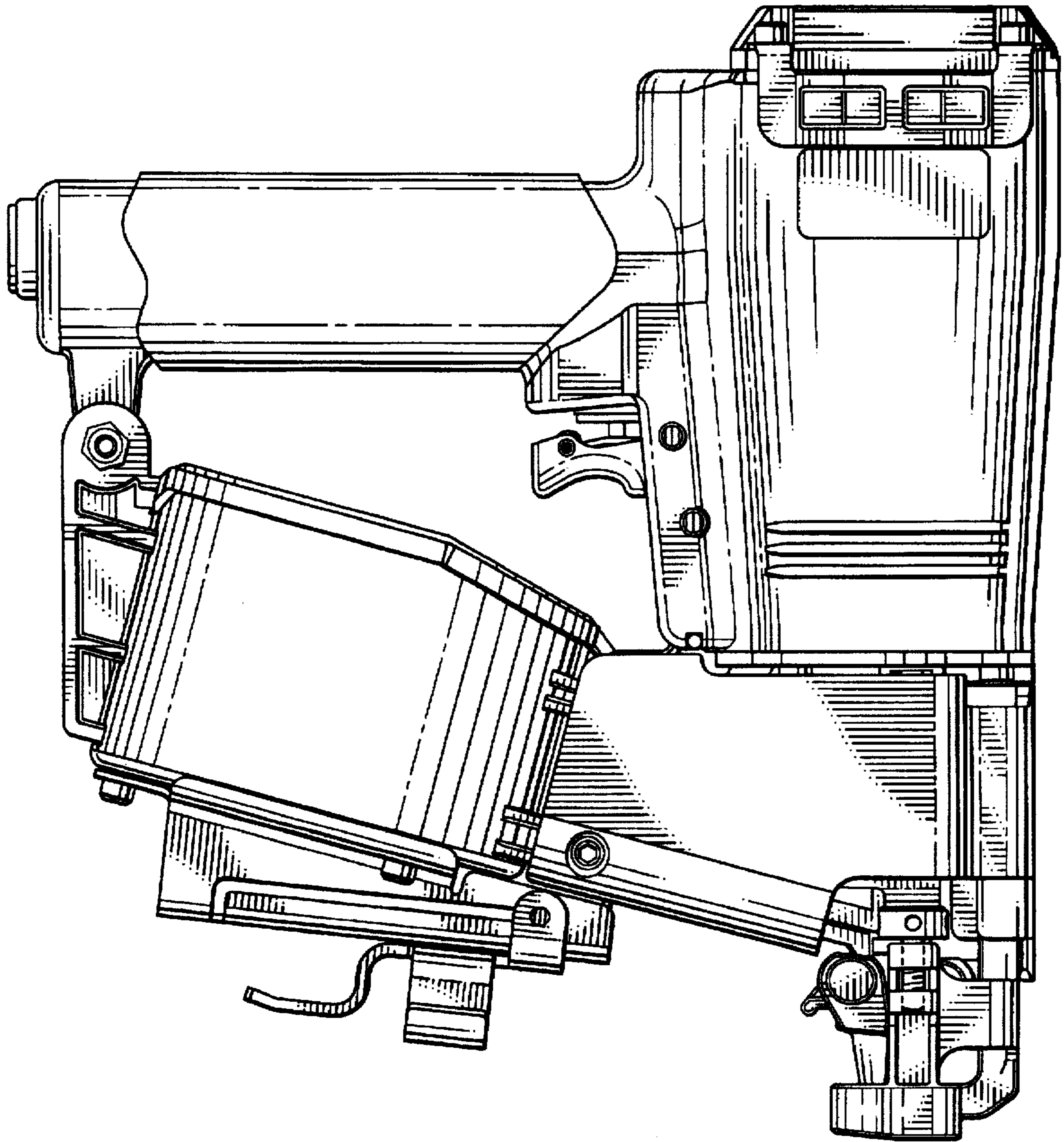


FIG. 7