

US00D387255S

United States Patent [19]

Rhoton

[11] Patent Number: **Des. 387,255**

[45] Date of Patent: ****Dec. 9, 1997**

[54] **COMBINED GAS CAP REMOVAL AND TIGHTENING DEVICE**

5,003,845 4/1991 Roy et al. .
5,003,848 4/1991 Ceccucci, Jr. .

[76] Inventor: **Ray G. Rhoton**, P.O. Box 961, Leland, Mich. 49654

FOREIGN PATENT DOCUMENTS

408582 1/1910 France 81/124.7

[**] Term: **14 Years**

Primary Examiner—Prabhakar G. Deshmukh
Assistant Examiner—Richelle Shelton
Attorney, Agent, or Firm—Douglas S. Bishop

[21] Appl. No.: **58,836**

[22] Filed: **Aug. 26, 1996**

[57] CLAIM

[51] **LOC (6) Cl.** **08-05**

[52] **U.S. Cl.** **D8/21**

[58] **Field of Search** D8/14, 21-29;
81/3.07, 3.4, 119, 124.2, 124.7, 125, 176.15,
176.2, 177.1

The ornamental design for a combined gas cap removal and tightening device, as shown.

DESCRIPTION

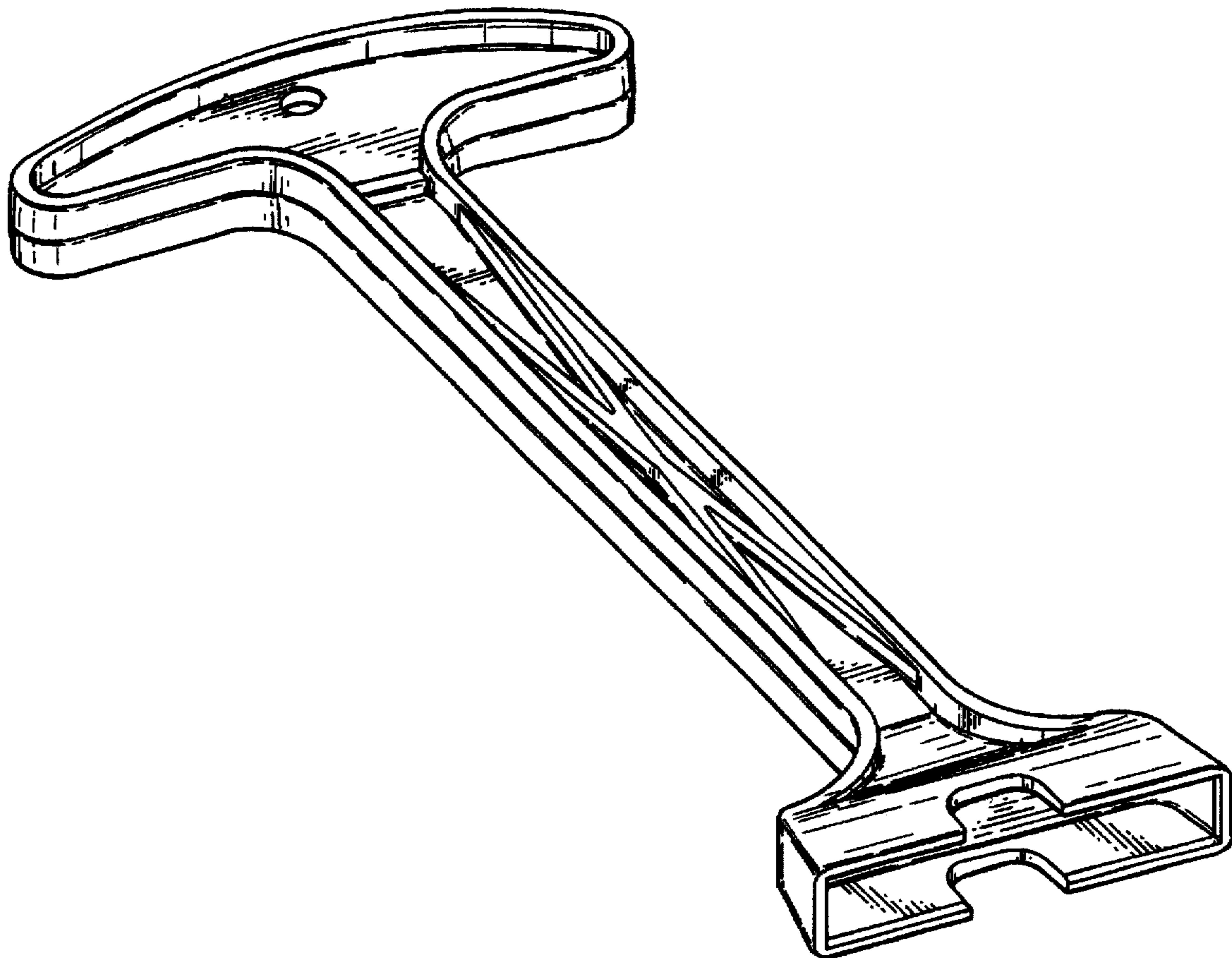
[56] References Cited

U.S. PATENT DOCUMENTS

- D. 357,617 4/1995 Morrissette D8/21
- D. 364,789 12/1995 Degyansky D8/21
- D. 369,286 4/1996 Tackman D8/21
- 2,881,648 4/1959 Hottle D8/27 X
- 3,213,720 10/1965 Wallis et al. 81/119 X
- 4,697,480 10/1987 Robideau .
- 4,836,065 6/1989 Setiff .
- 4,846,025 7/1989 Keller et al. .

FIG. 1 is a perspective view of a combined gas cap removal and tightening device, of the present invention;
 FIG. 2 is a bottom plan view of the combined gas cap removal and tightening device of FIG. 1;
 FIG. 3 is a top plan view of the combined gas cap removal and tightening device of FIG. 1;
 FIG. 4 is a front elevational view of the combined gas cap removal and tightening device of FIG. 1; and,
 FIG. 5 is a side elevational view of the combined gas cap removal and tightening device as seen from either side of FIG. 1.

1 Claim, 2 Drawing Sheets



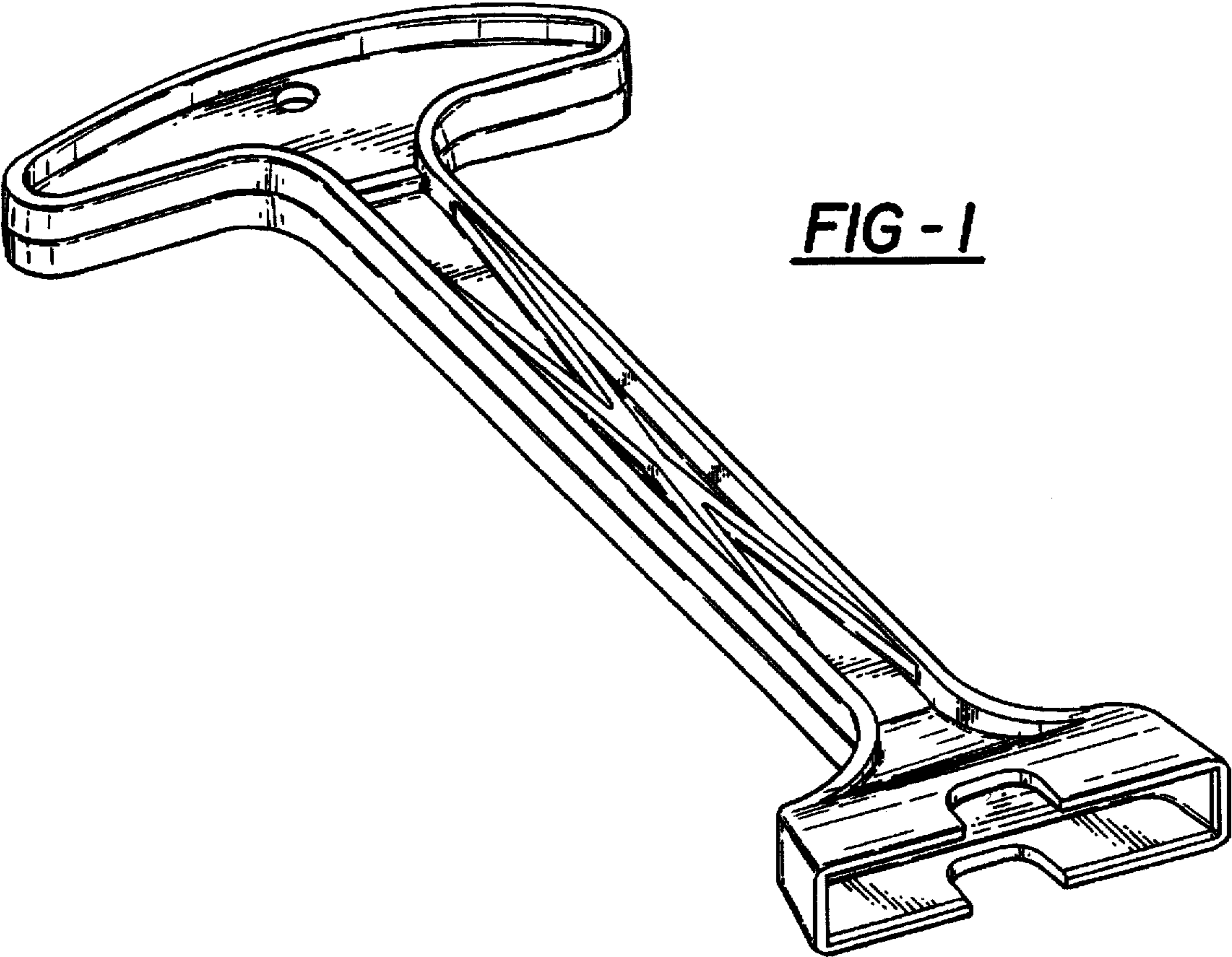


FIG - 1

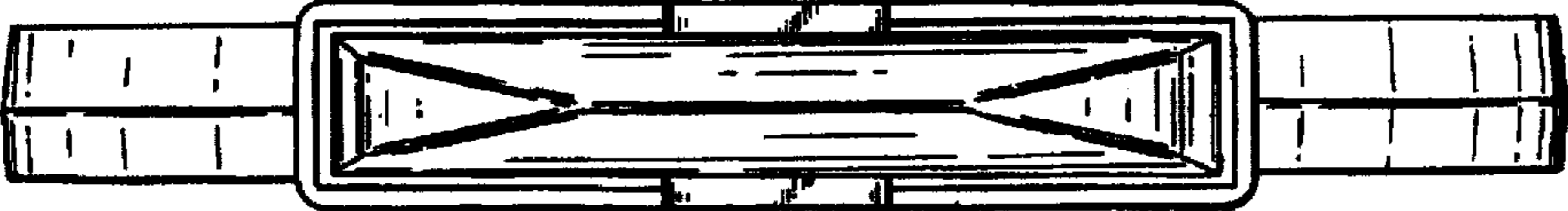


FIG - 2

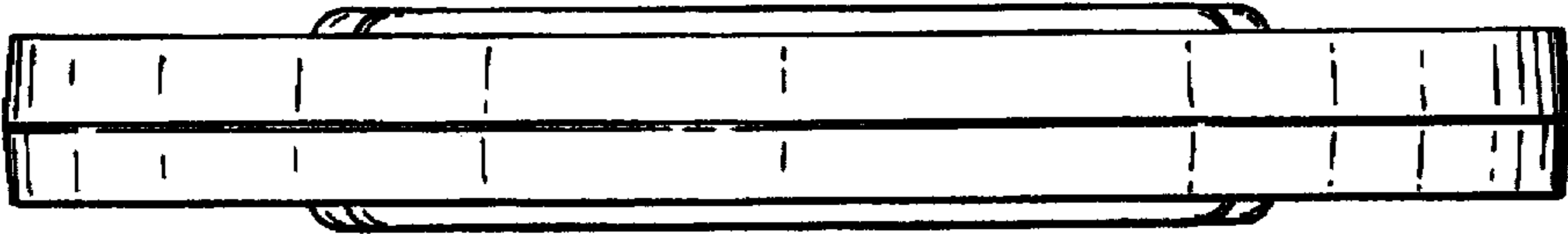


FIG - 3

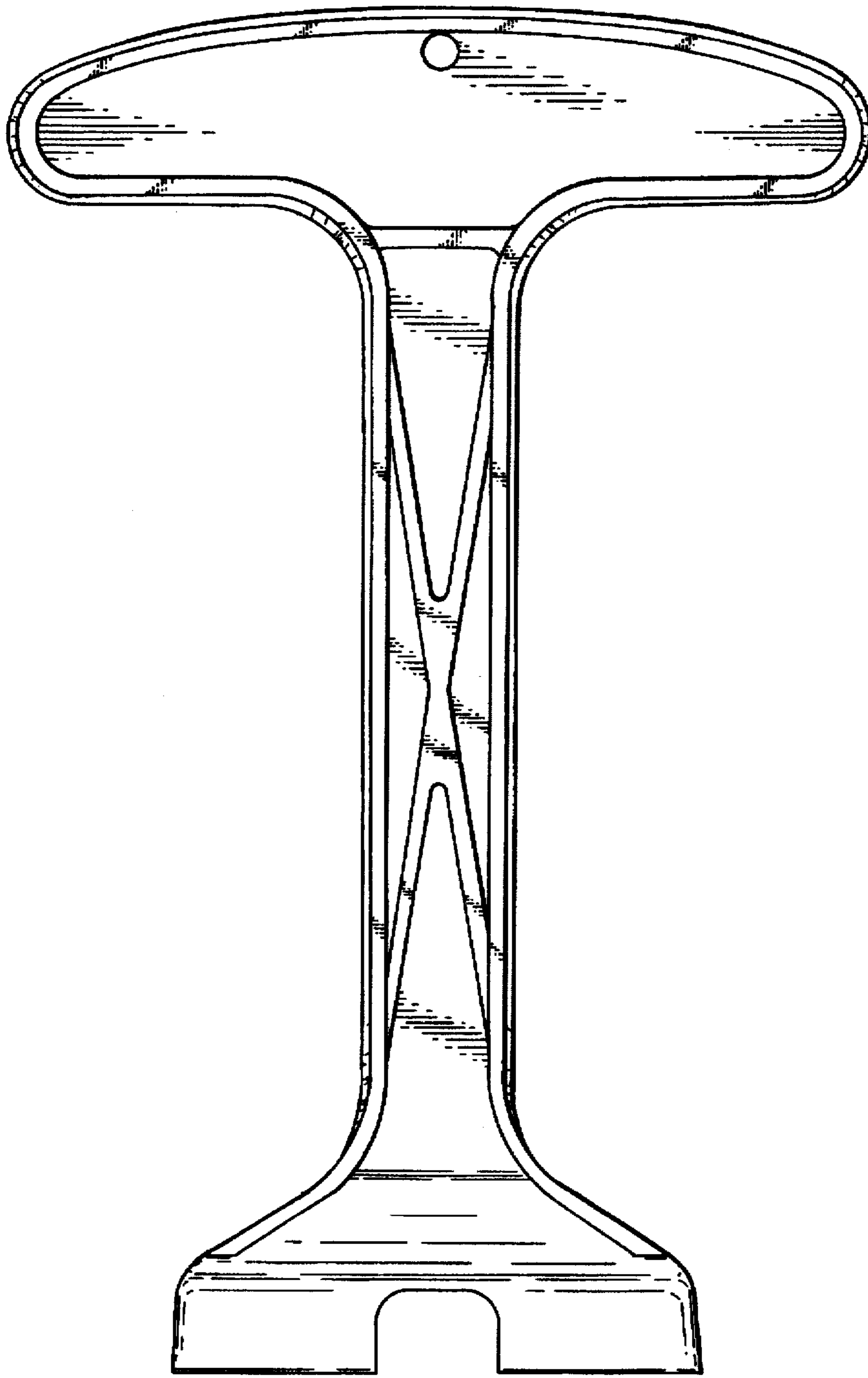


FIG-4

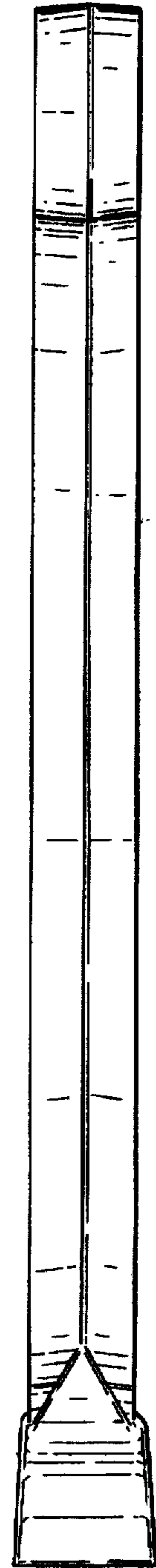


FIG-5