



US00D387244S

United States Patent [19]

Ivy et al.

[11] Patent Number: **Des. 387,244**

[45] Date of Patent: ****Dec. 9, 1997**

[54] **MIXER**

[75] Inventors: **Donald R. Ivy, Waynesboro; Kirk D. Morrow, Hattiesburg, both of Miss.**

[73] Assignee: **Sunbeam Products, Inc., Delray Beach, Fla.**

[**] Term: **14 Years**

[21] Appl. No.: **58,158**

[22] Filed: **Aug. 9, 1996**

[51] **LOC (6) Cl.** **31-00**

[52] **U.S. Cl.** **D7/379**

[58] **Field of Search** **D7/376, 379, 386;**
366/129, 130, 197, 205, 92, 93

[56] **References Cited**

U.S. PATENT DOCUMENTS

D. 120,342 5/1940 Geiger et al. D7/379

D. 157,509 2/1950 Naiden D7/379
D. 329,166 9/1992 Doggett D7/376
3,066,350 12/1962 Quiring D7/379 X
3,904,178 9/1975 Scott et al. D7/379 X

Primary Examiner—Caron D. Veynar

Attorney, Agent, or Firm—Carol I. Bordas; Michael J. Kline

[57] CLAIM

The ornamental design for a mixer, as shown.

DESCRIPTION

FIG. 1 is a perspective view of a mixer showing our new design;

FIG. 2 is a front view thereof;

FIG. 3 is a back view thereof;

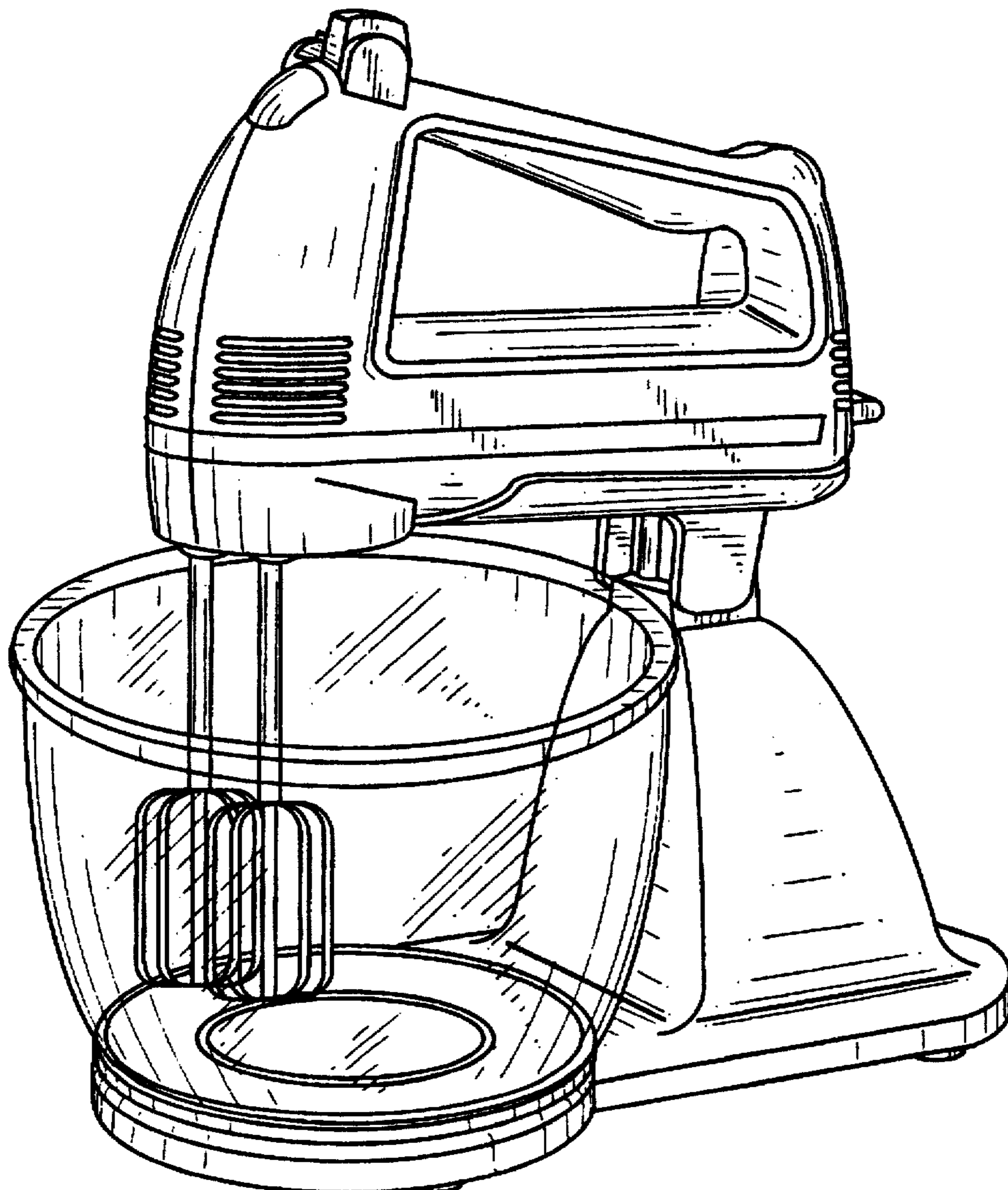
FIG. 4 is a top view thereof;

FIG. 5 is a bottom view thereof;

FIG. 6 is a right elevational view thereof; and,

FIG. 7 is a left elevational view of the mixer.

1 Claim, 6 Drawing Sheets



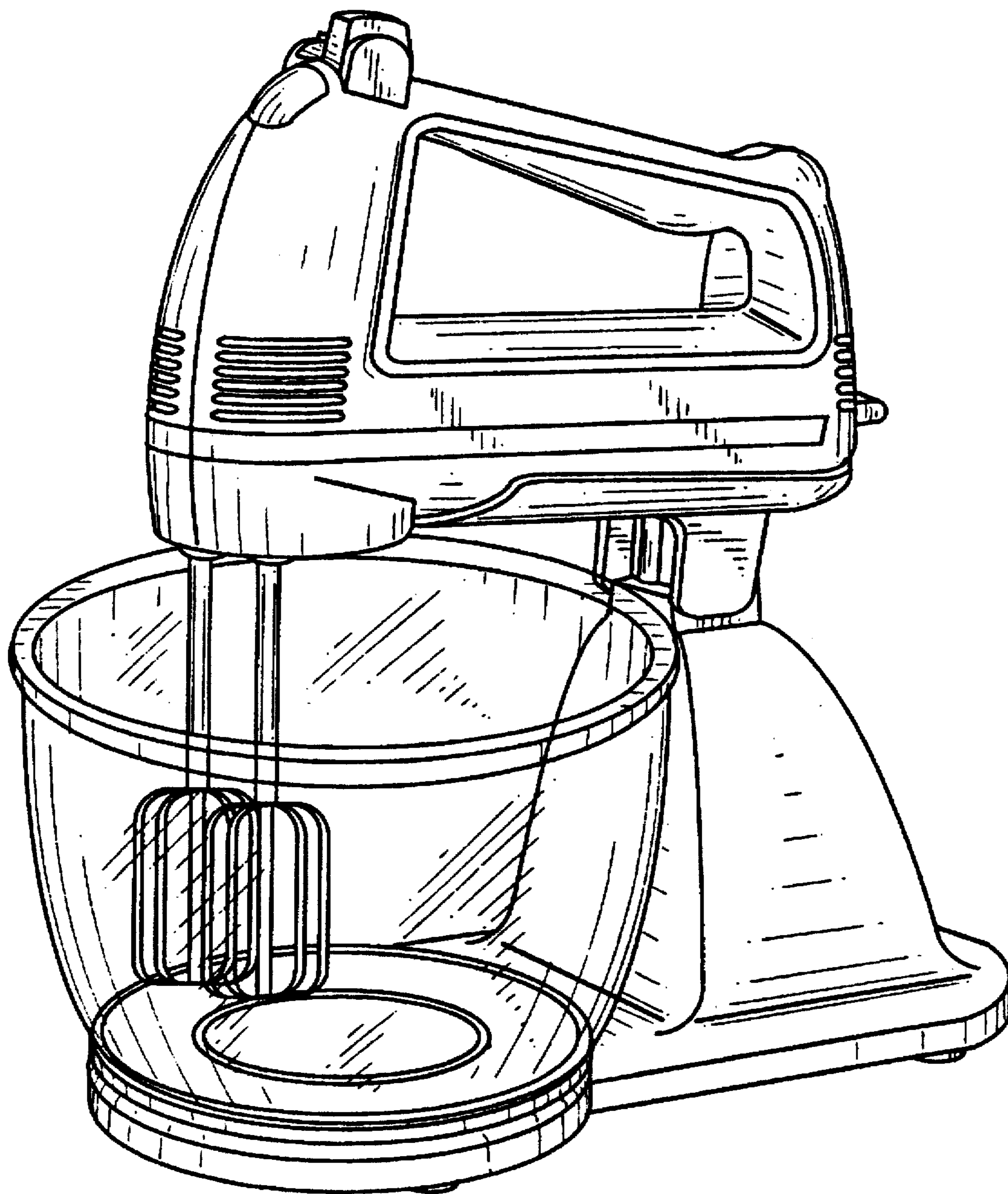


FIG. 1

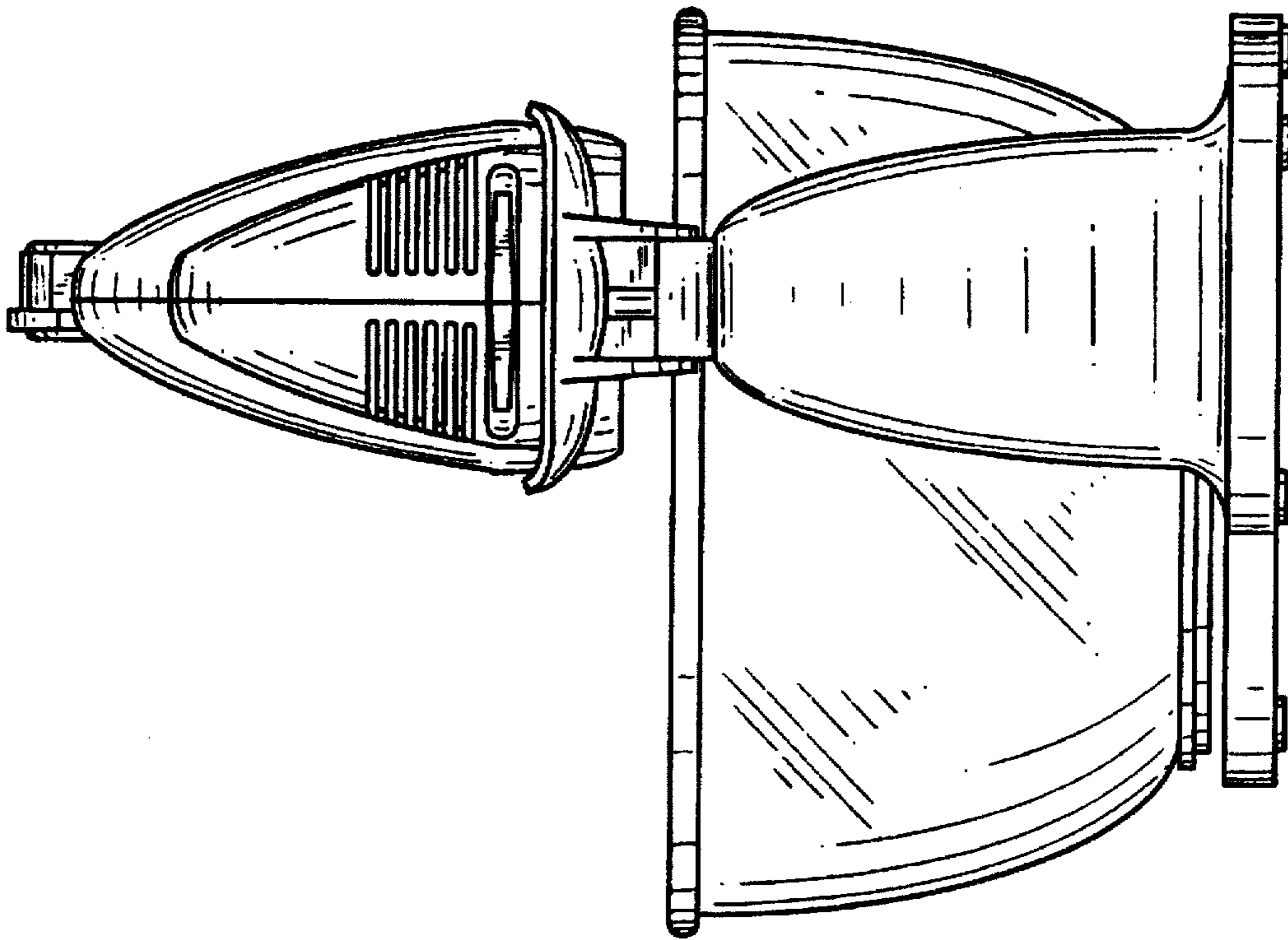


FIG. 3

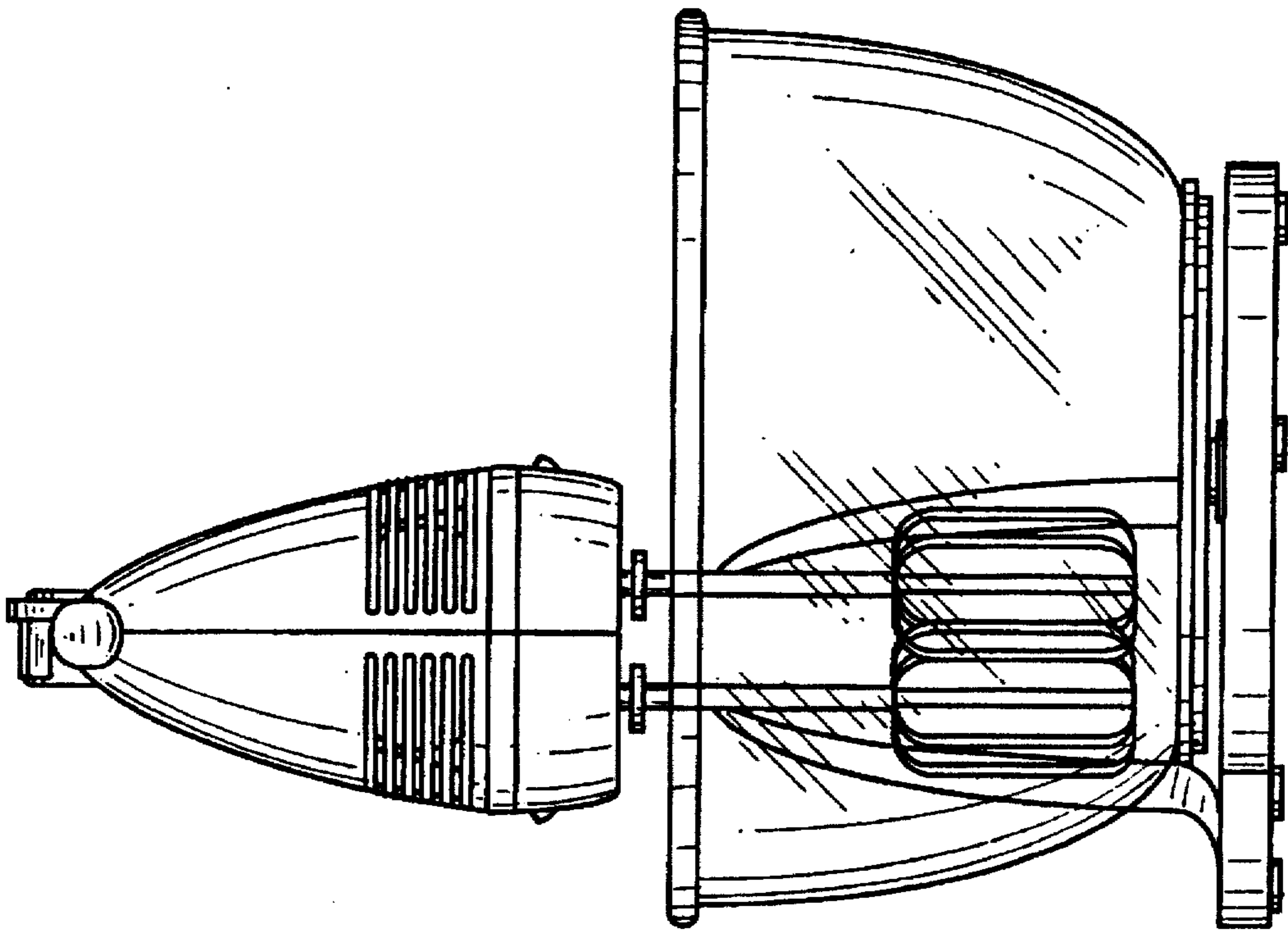


FIG. 2

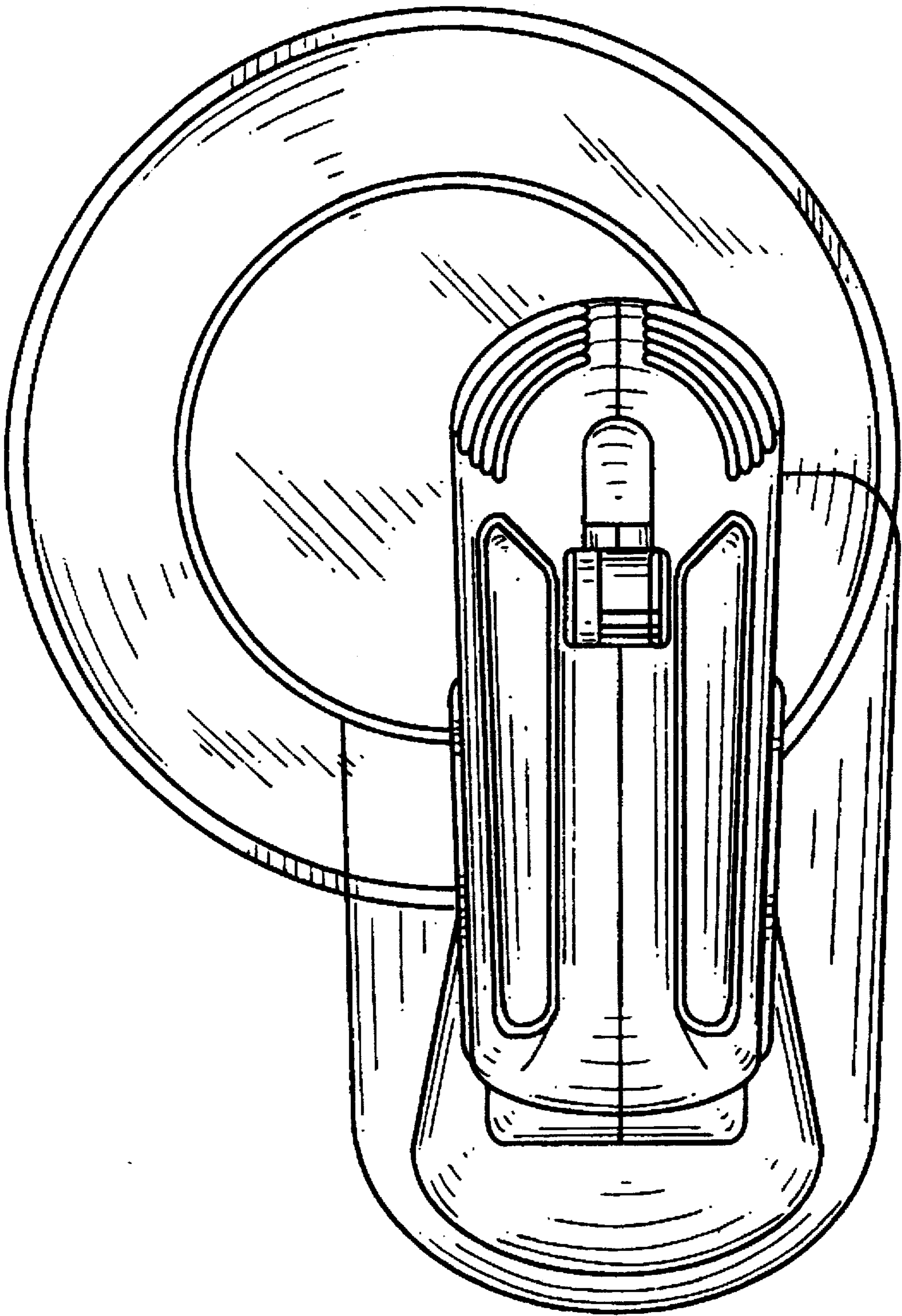


FIG. 4

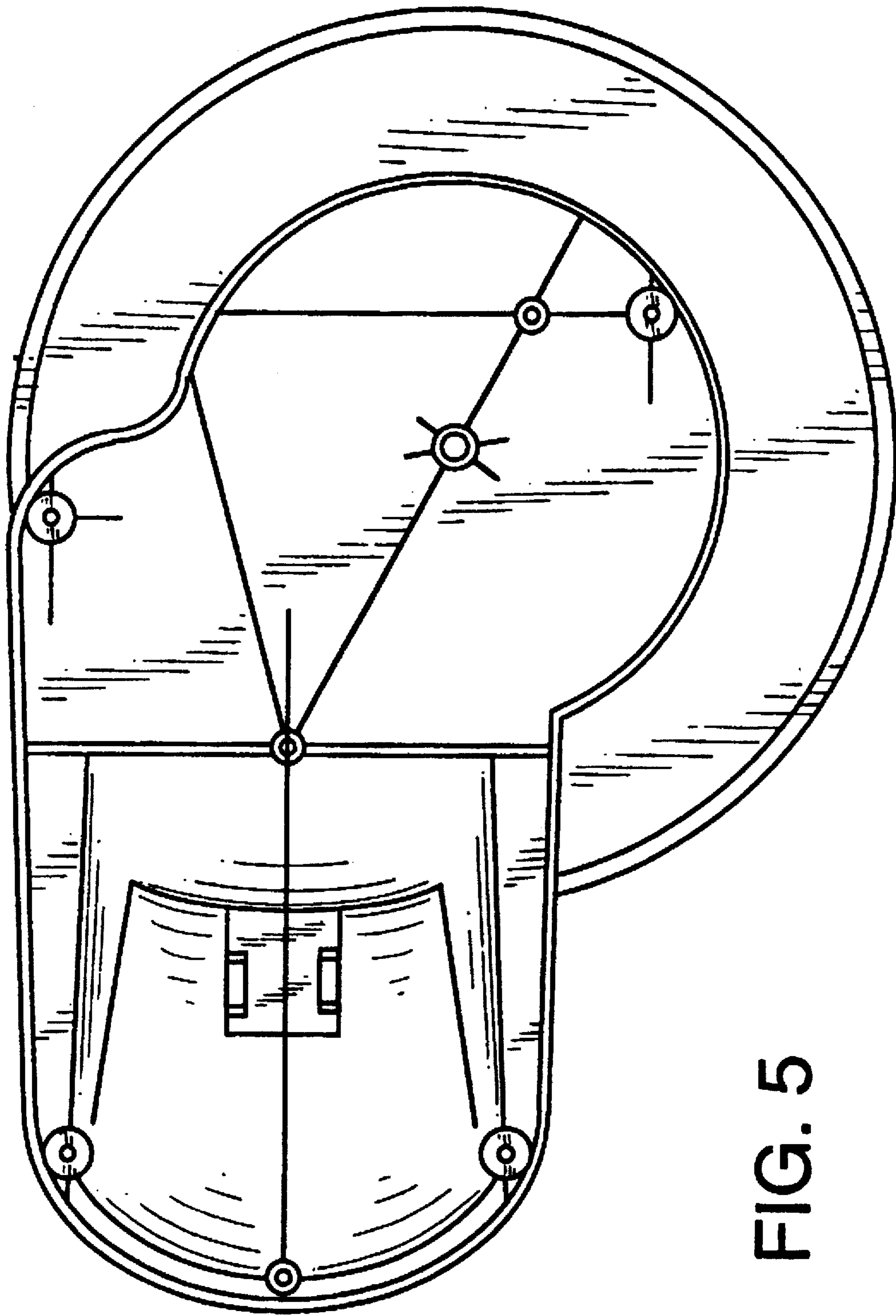


FIG. 5

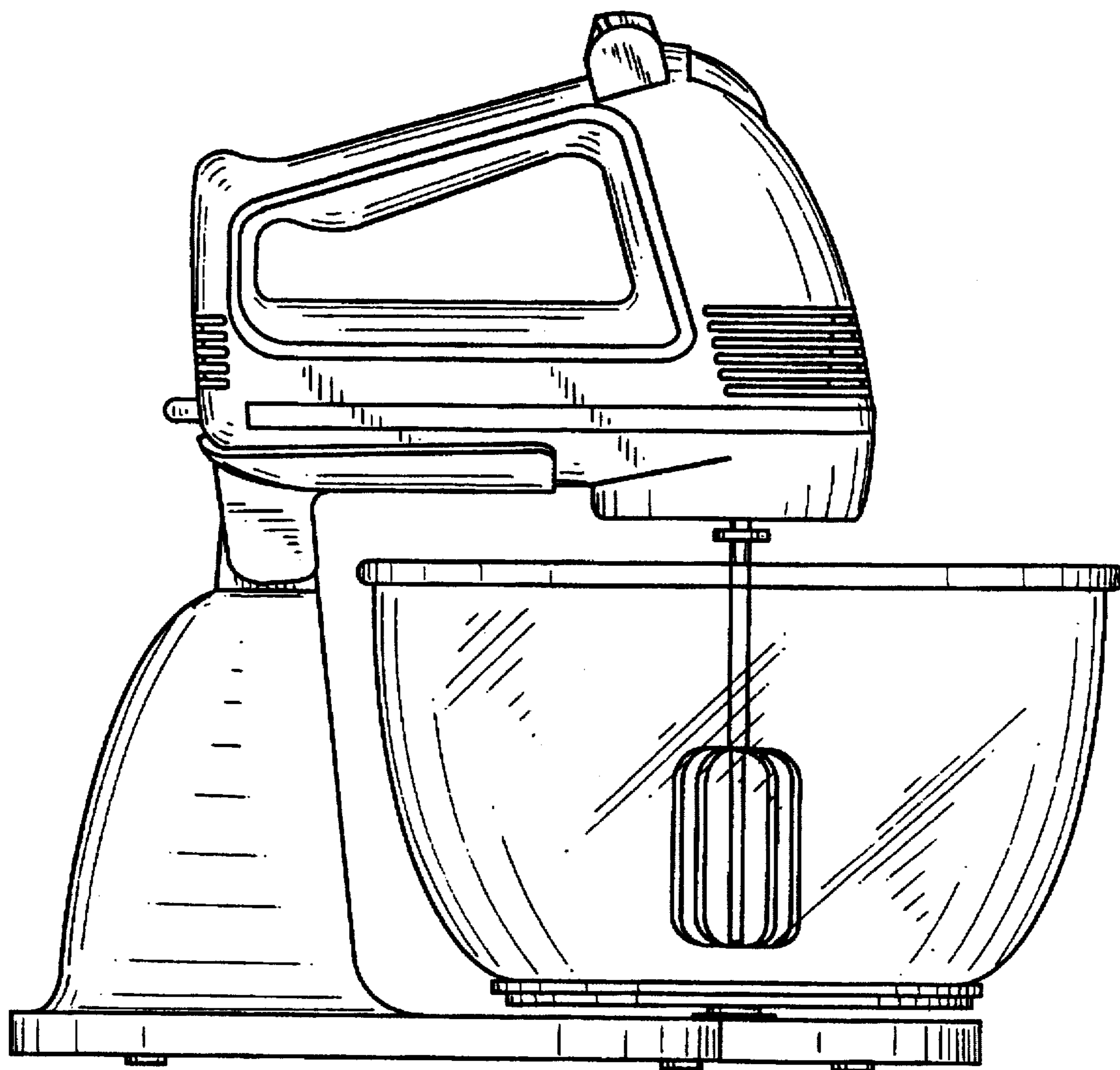


FIG. 6

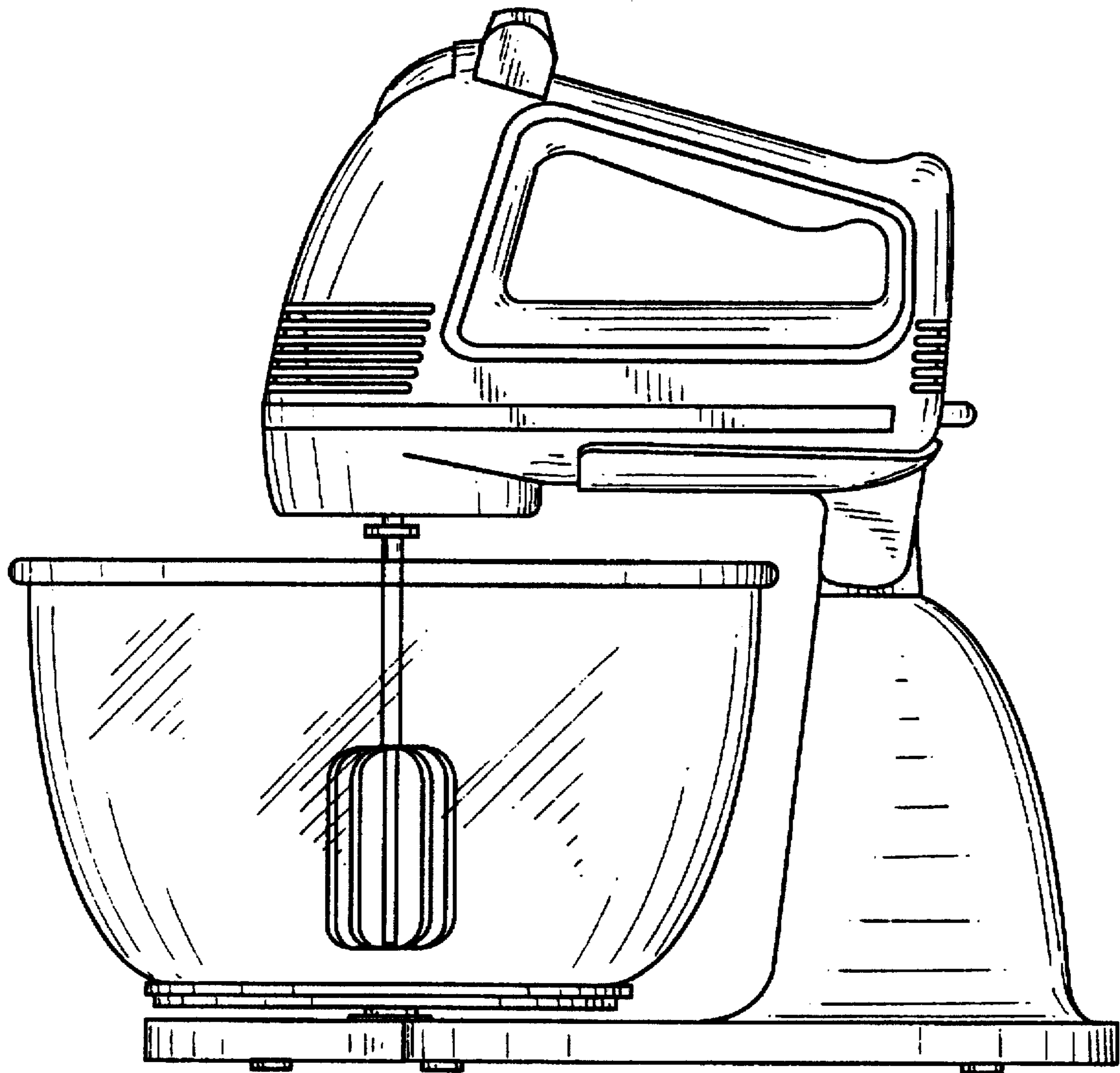


FIG. 7