

US00D387243S

United States Patent [19]

[11] Patent Number: **Des. 387,243**

Bumoux

[45] Date of Patent: ****Dec. 9, 1997**

[54] **ELECTRIC FRYER**

[75] Inventor: **Philippe Bumoux, Selongey, France**

[73] Assignee: **SEB, Selongey, France**

[**] Term: **14 Years**

[21] Appl. No.: **57,432**

[22] Filed: **Jul. 25, 1996**

[30] **Foreign Application Priority Data**

Jan. 25, 1996 [FR] France 96 0534

[51] LOC (6) Cl. **07-02**

[52] U.S. Cl. **D7/354**

[58] Field of Search D7/323, 331, 354,
D7/350, 360; 99/403, 408, 410, 416, 336

[56] **References Cited**

U.S. PATENT DOCUMENTS

D. 313,530 1/1991 Leiros D7/354

D. 339,957	10/1993	Chang	D7/354
D. 341,056	11/1993	Powell	D7/323
D. 345,280	3/1994	Powell	D7/323
D. 345,281	3/1994	Mauffrey	D7/354
D. 369,505	5/1996	Philippe	D7/354

Primary Examiner—Ruth McInroy
Attorney, Agent, or Firm—Loeb & Loeb LLP

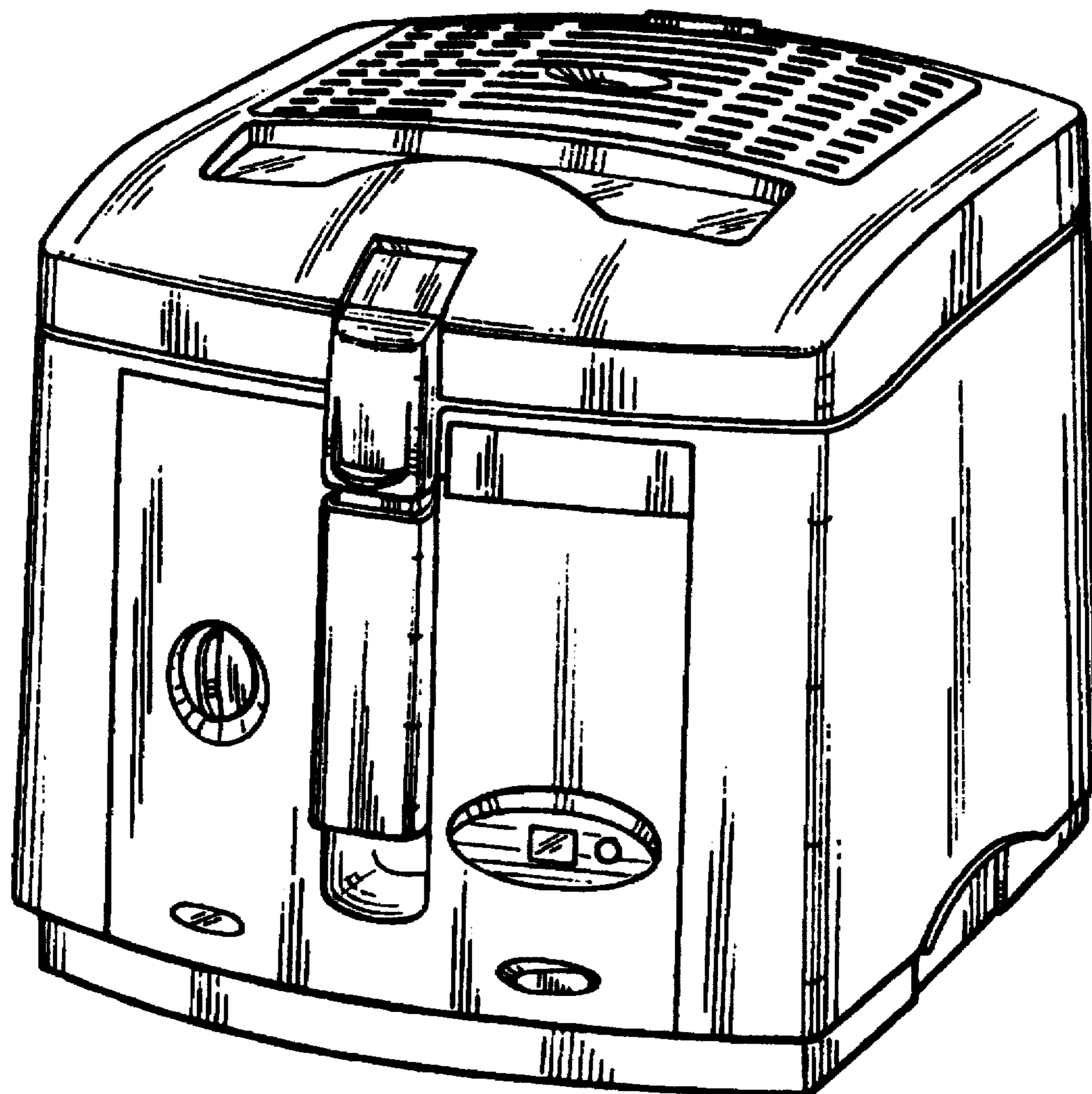
[57] **CLAIM**

The ornamental design for an electric fryer, as shown.

DESCRIPTION

FIG. 1 is a front elevational view of an electric fryer showing my new design;
FIG. 2 is a rear elevational view thereof;
FIG. 3 is a right side elevational view thereof;
FIG. 4 is a left side elevational view thereof;
FIG. 5 is a top plan view thereof;
FIG. 6 is a bottom plan view thereof; and,
FIG. 7 is a perspective view thereof.

1 Claim, 4 Drawing Sheets



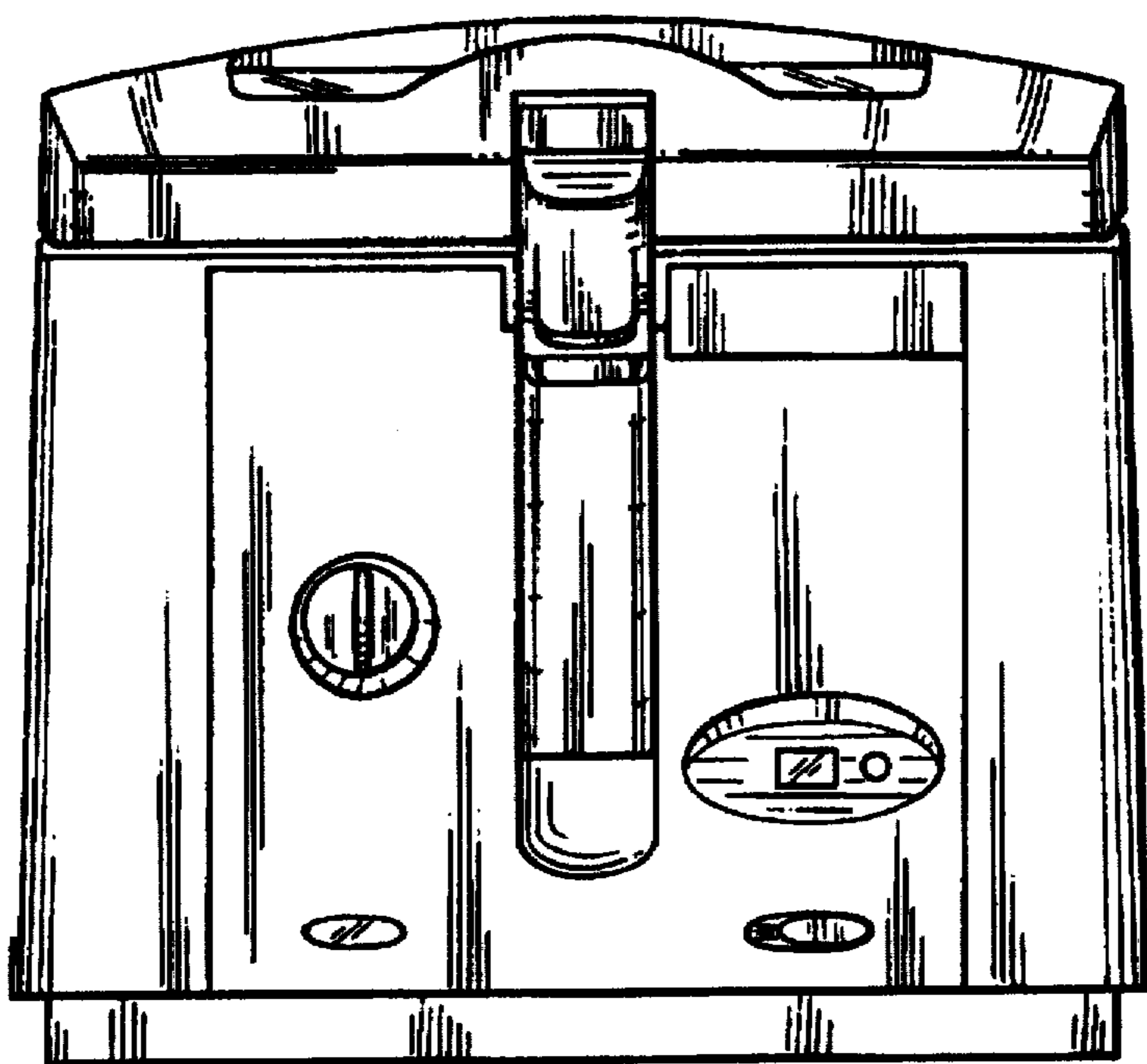


FIG. 1

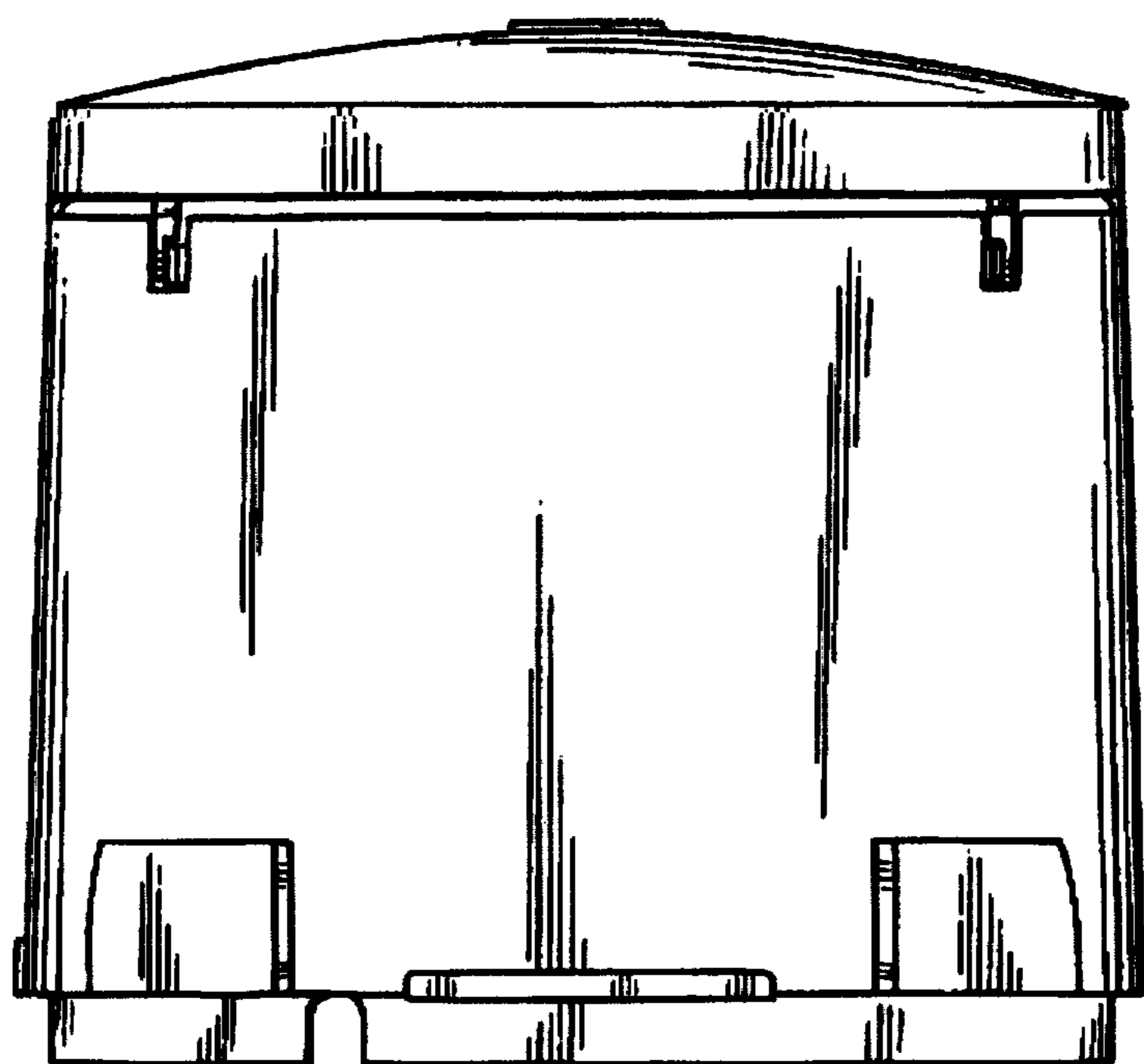


FIG. 2

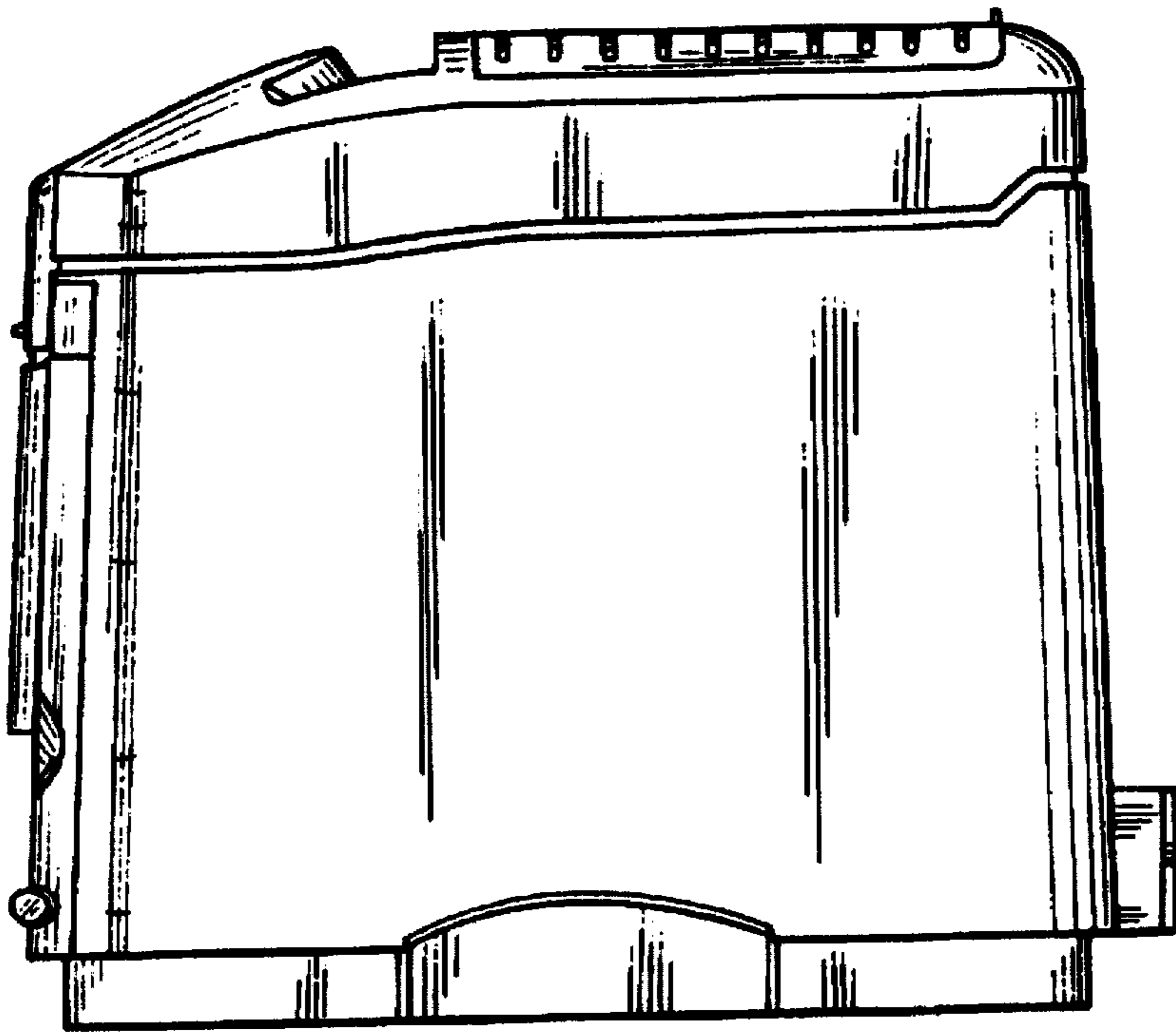


FIG. 3

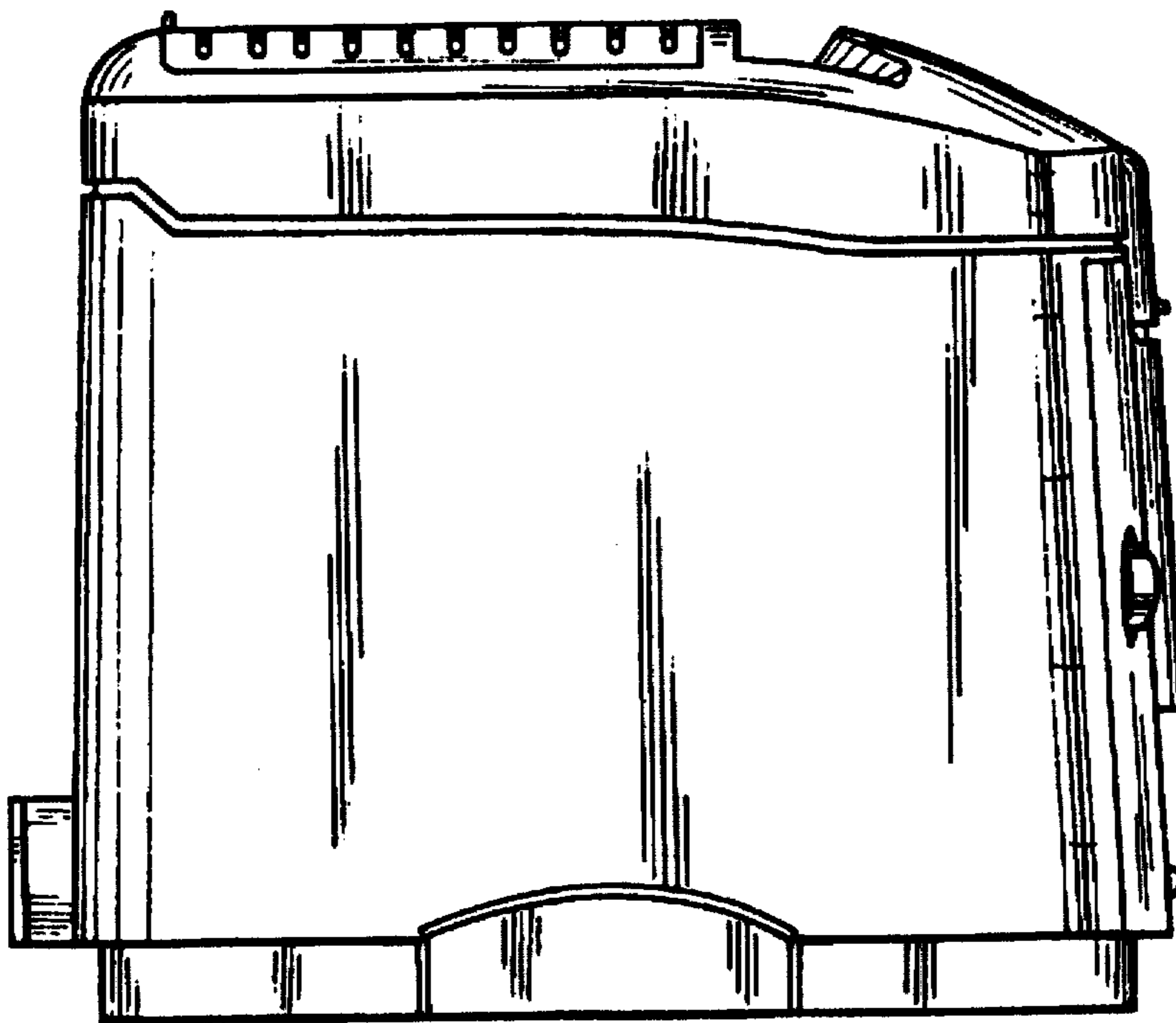


FIG. 4

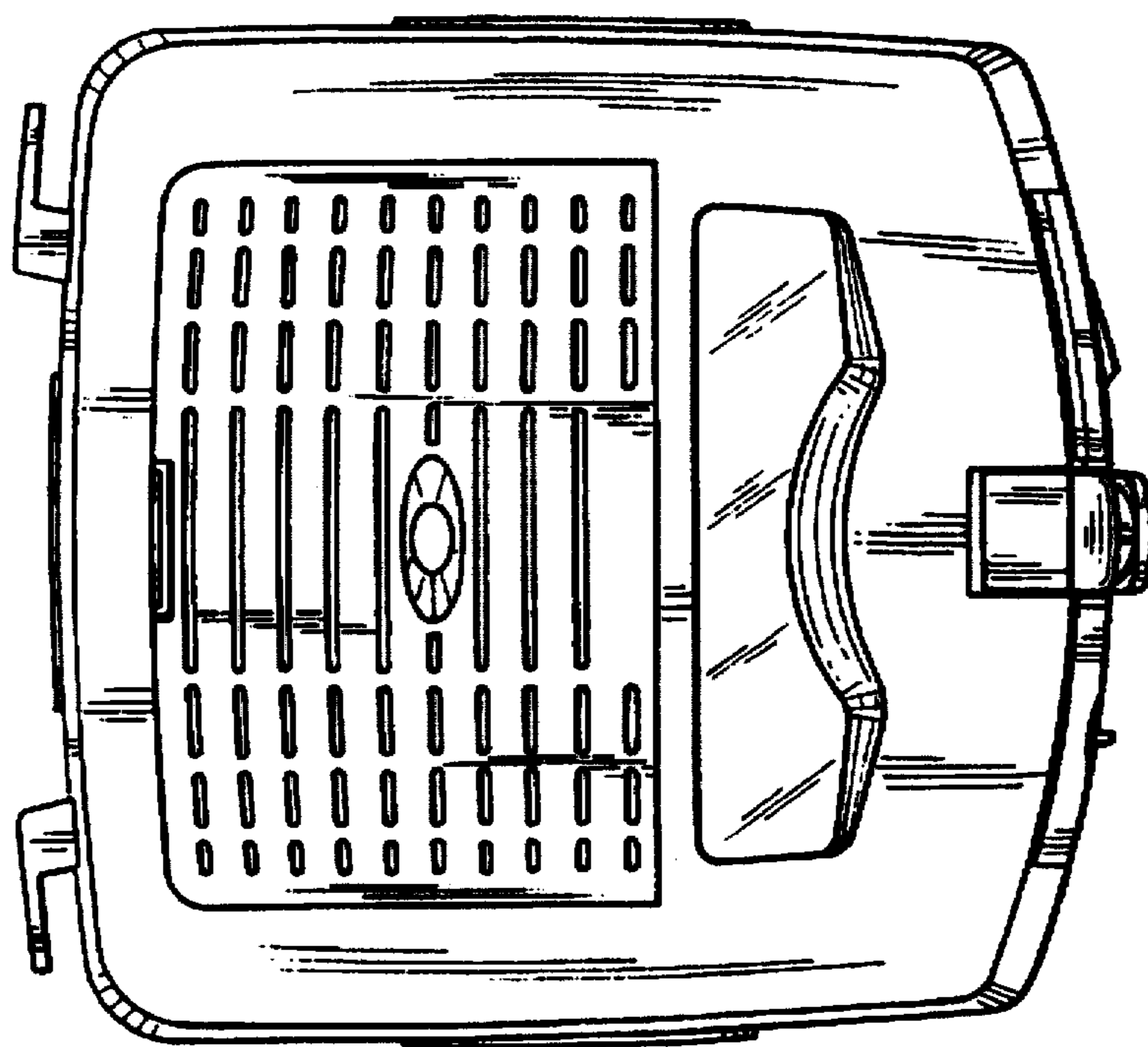


FIG. 5

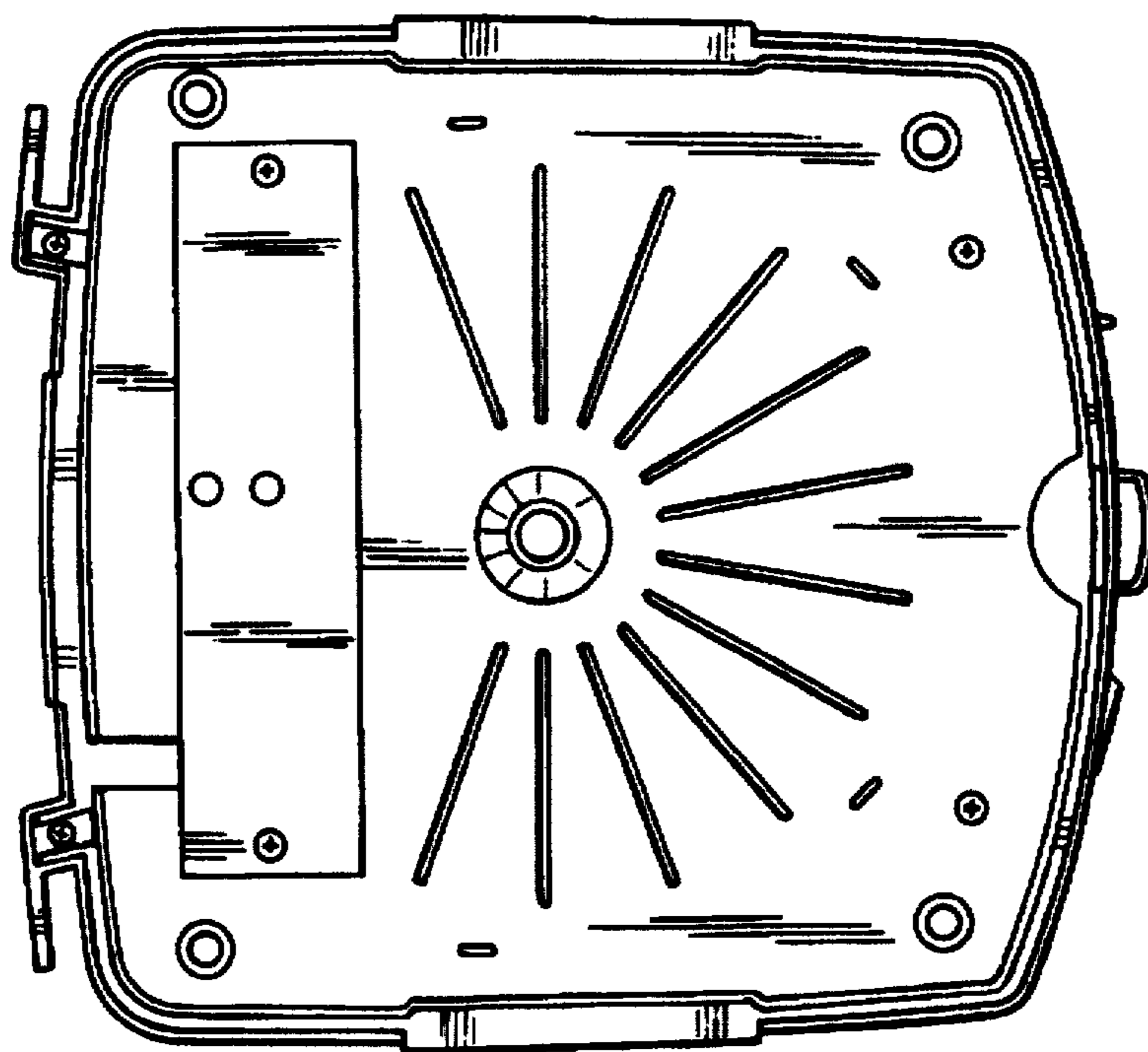


FIG. 6

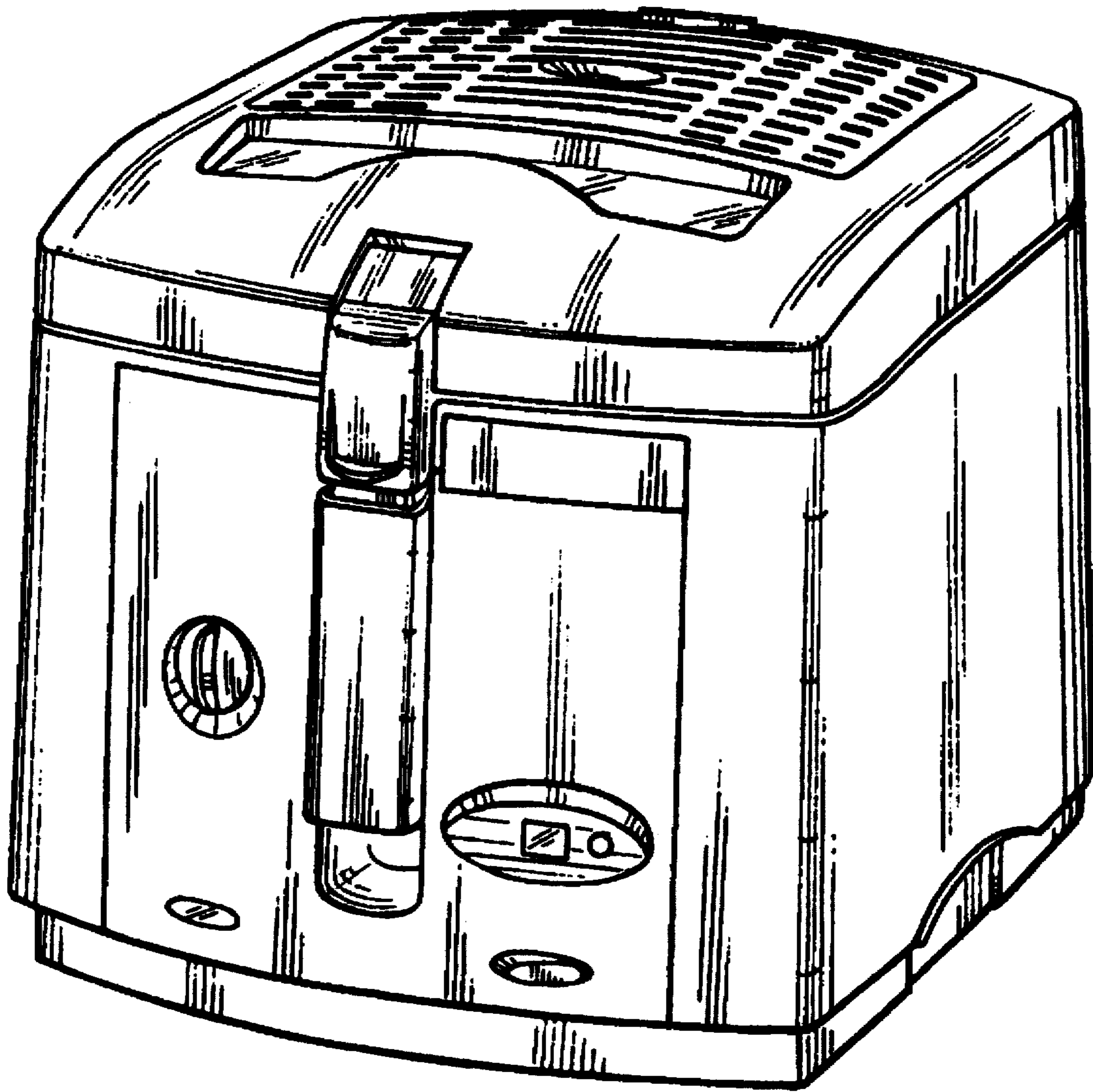


FIG. 7