



US00D387242S

**United States Patent** [19]  
**Loftsgard**

[11] **Patent Number:** **Des. 387,242**  
[45] **Date of Patent:** **\*\*Dec. 9, 1997**

[54] **BACON COOKER**

1,255,990 2/1918 Doggett ..... D7/318 X  
2,843,302 7/1958 Bandy ..... D7/622 X  
4,696,067 9/1987 Woodward ..... D7/318 X

[75] **Inventor:** **Nancy Lee C. Loftsgard, Fort Ransom, N. Dak.**

*Primary Examiner*—Nelson C. Holtje  
*Assistant Examiner*—Caron D. Veynar  
*Attorney, Agent, or Firm*—David A. Lingbeck

[73] **Assignee:** **Brandy, LLC, Fort Ransom, N. Dak.**

[\*\*] **Term:** **14 Years**

[57] **CLAIM**

[21] **Appl. No.:** **32,303**

The ornamental design for a bacon cooker, as shown and described.

[22] **Filed:** **Dec. 15, 1994**

**DESCRIPTION**

[51] **LOC (6) Cl.** ..... **07-02**

[52] **U.S. Cl.** ..... **D7/354; D7/323**

[58] **Field of Search** ..... D7/500, 300, 316-319, D7/323, 354, 356, 361, 409, 505, 622; 99/324, 325, 339, 419, 422, 425, 426, 444, 445, 446; 126/373, 390; 220/912

FIG. 1 is a top perspective view of a bacon cooker showing my new design;

FIG. 2 is a top plan view thereof;

FIG. 3 is a bottom plan view thereof;

FIG. 4 is a front side view thereof;

FIG. 5 is a back side view thereof;

FIG. 6 is a left side view thereof;

FIG. 7 is a right side view thereof; and,

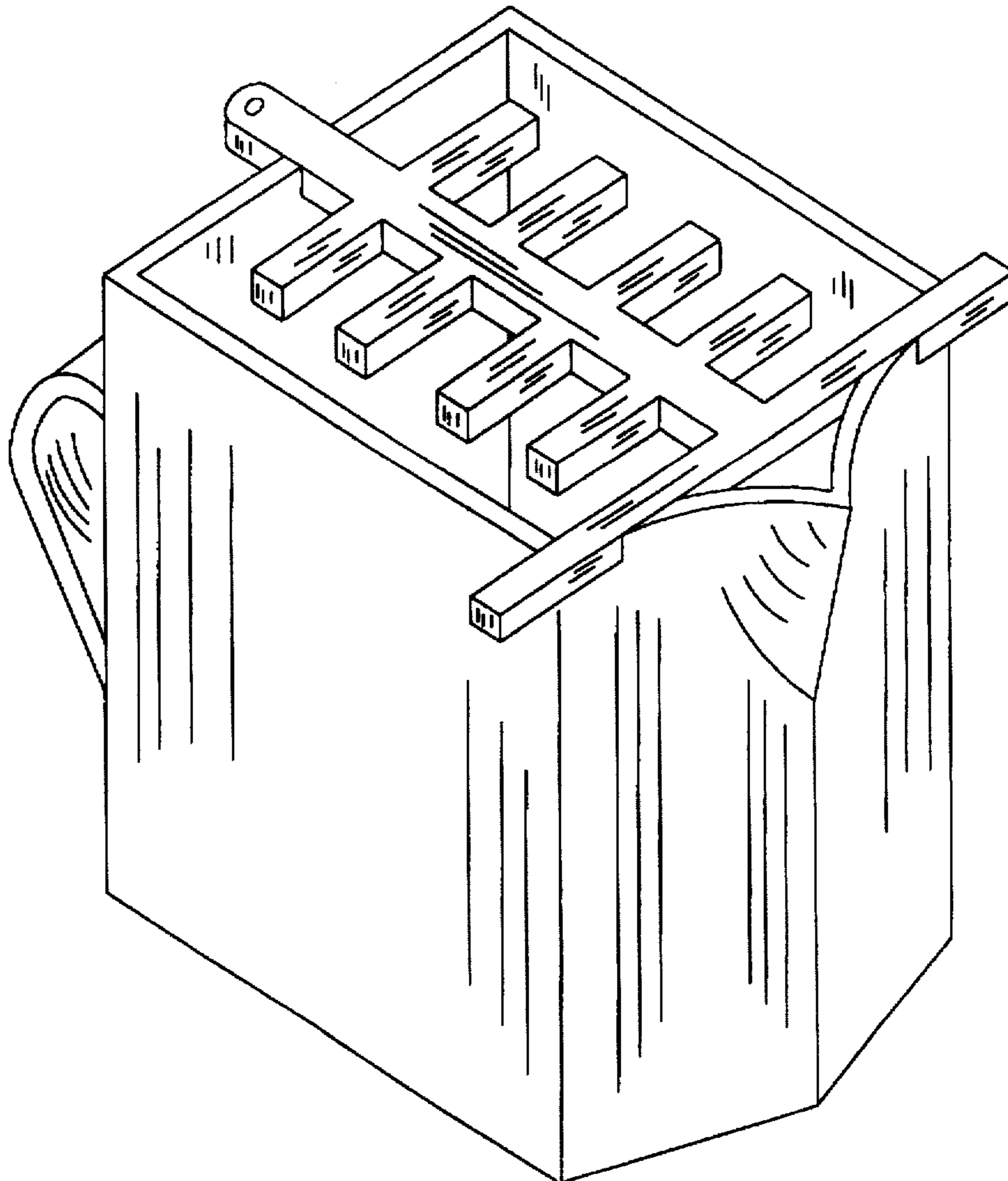
FIG. 8 is a top perspective view thereof with the rack separated from the container.

[56] **References Cited**

**U.S. PATENT DOCUMENTS**

D. 12,422 8/1881 Brundige ..... D7/505  
D. 42,752 7/1912 Heisey ..... D7/319  
D. 167,214 7/1952 Lapin ..... D7/622

**1 Claim, 4 Drawing Sheets**



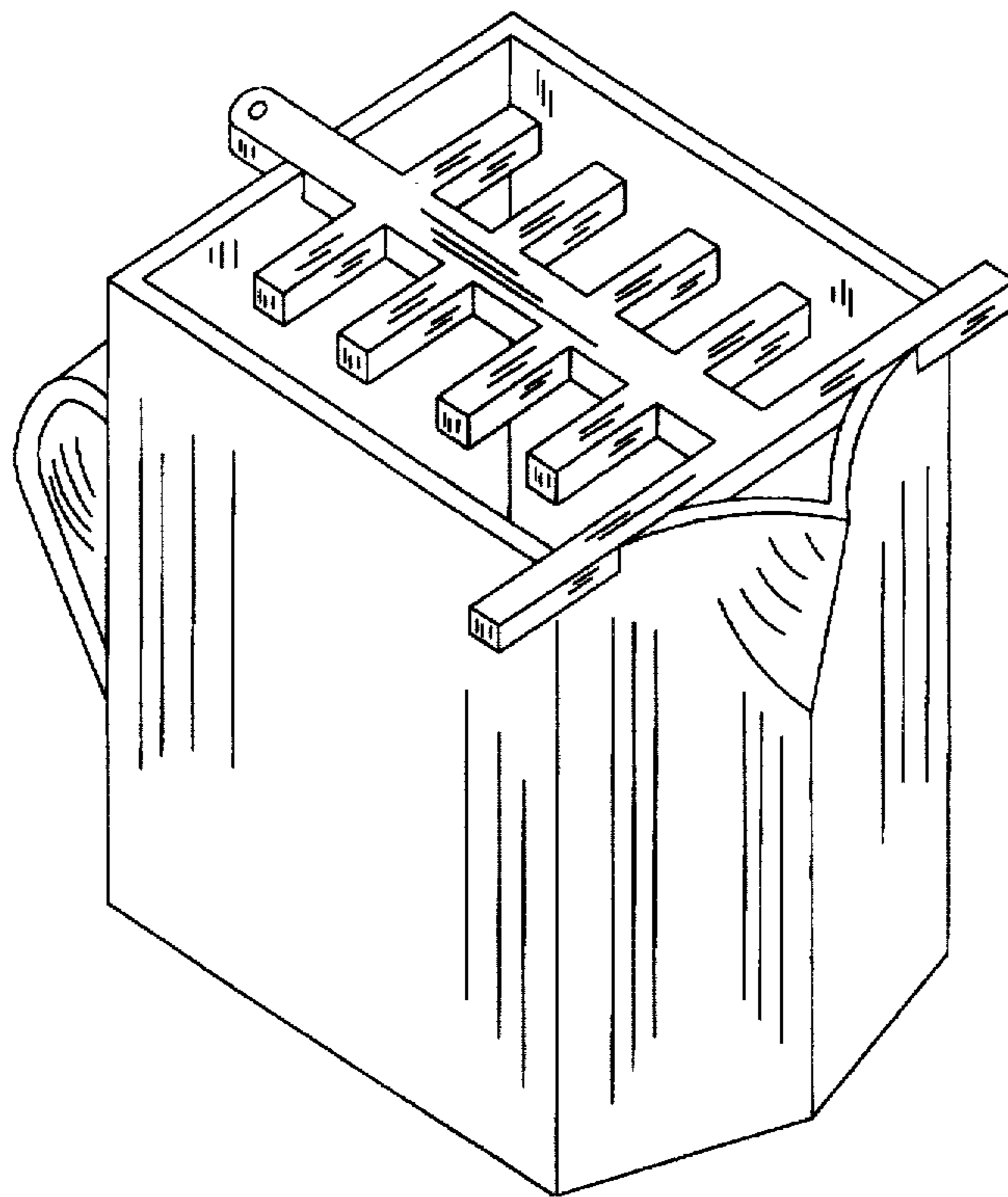


FIG.1

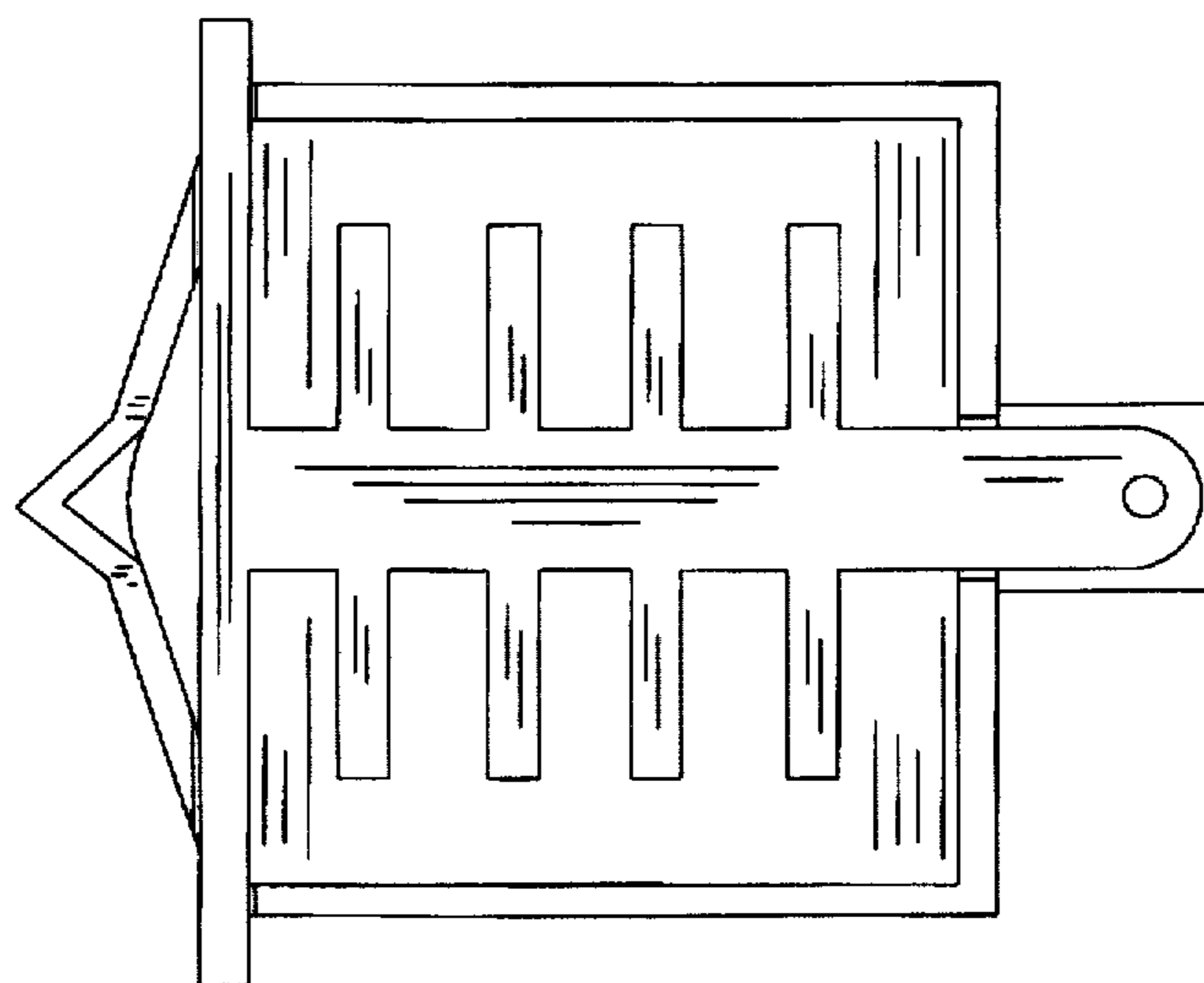


FIG.2

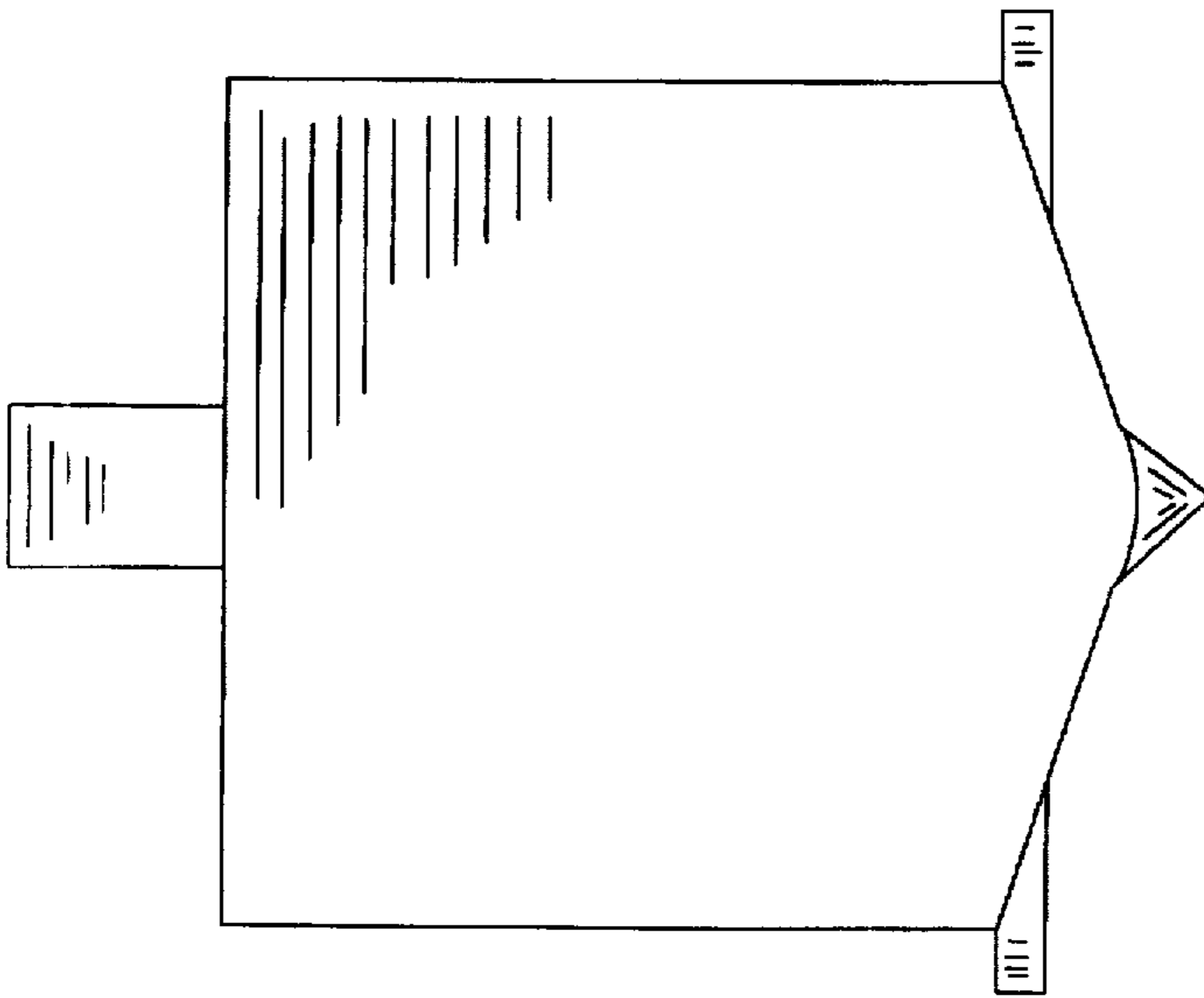


FIG. 3

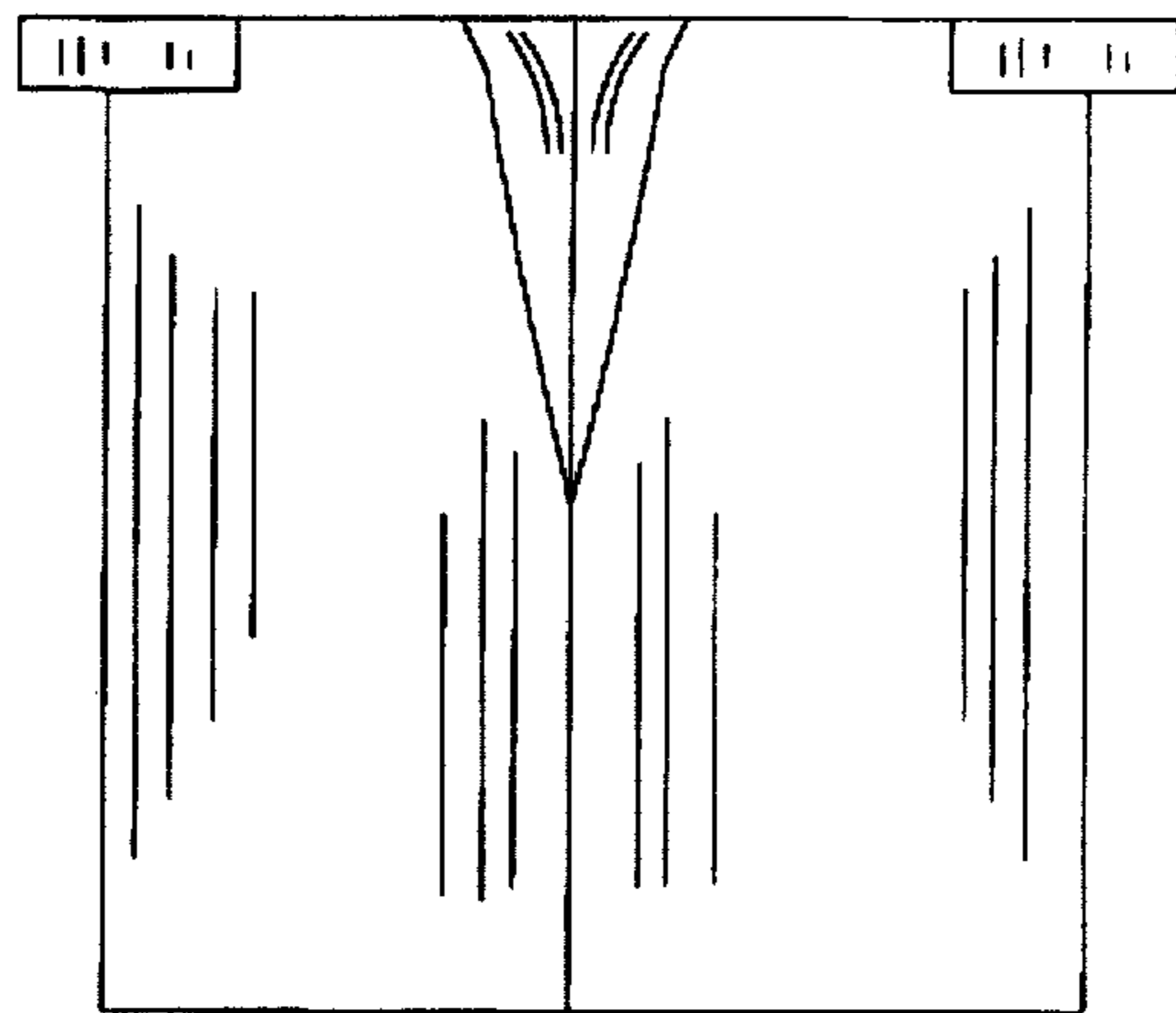


FIG. 4

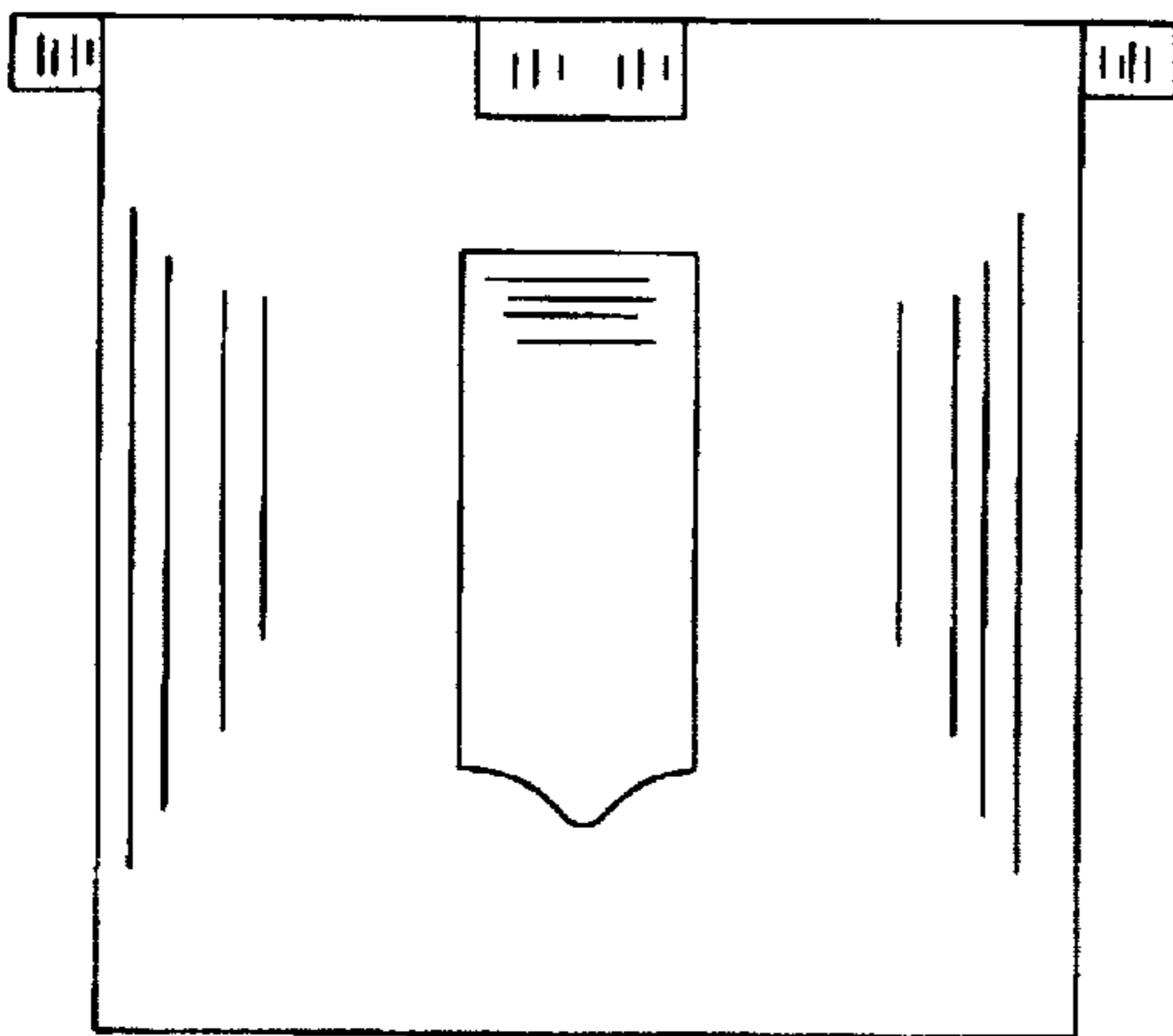


FIG. 5

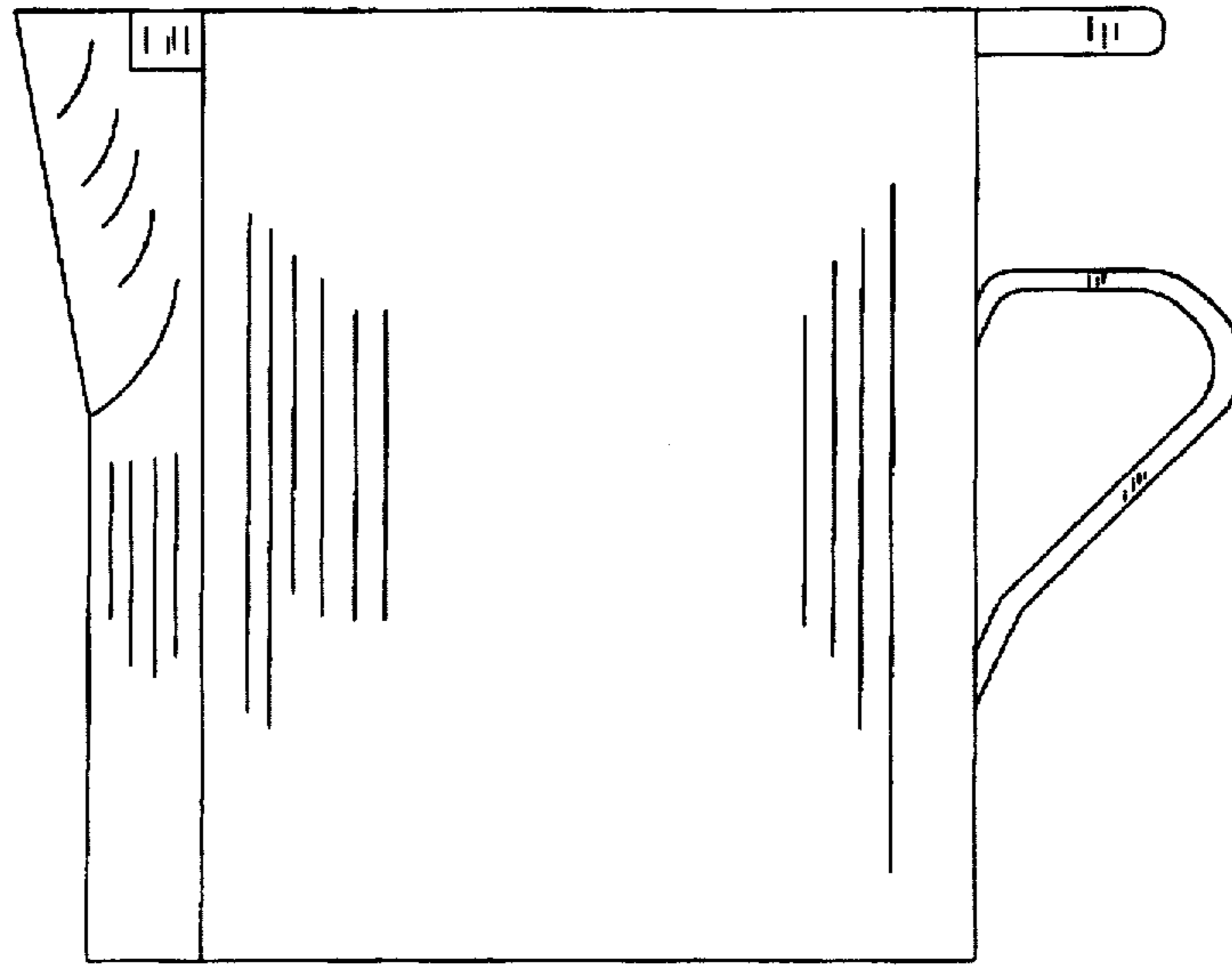


FIG. 6

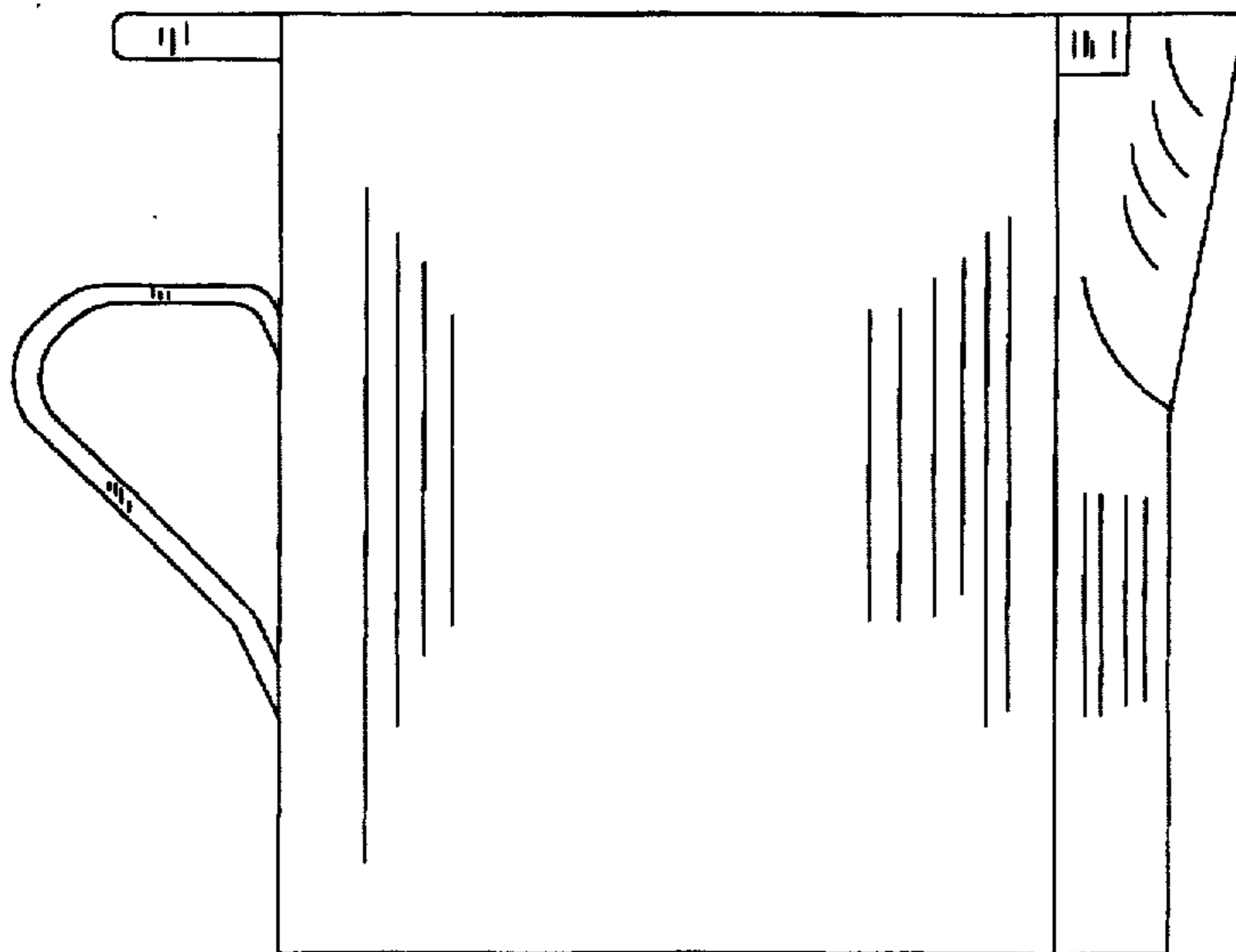


FIG. 7

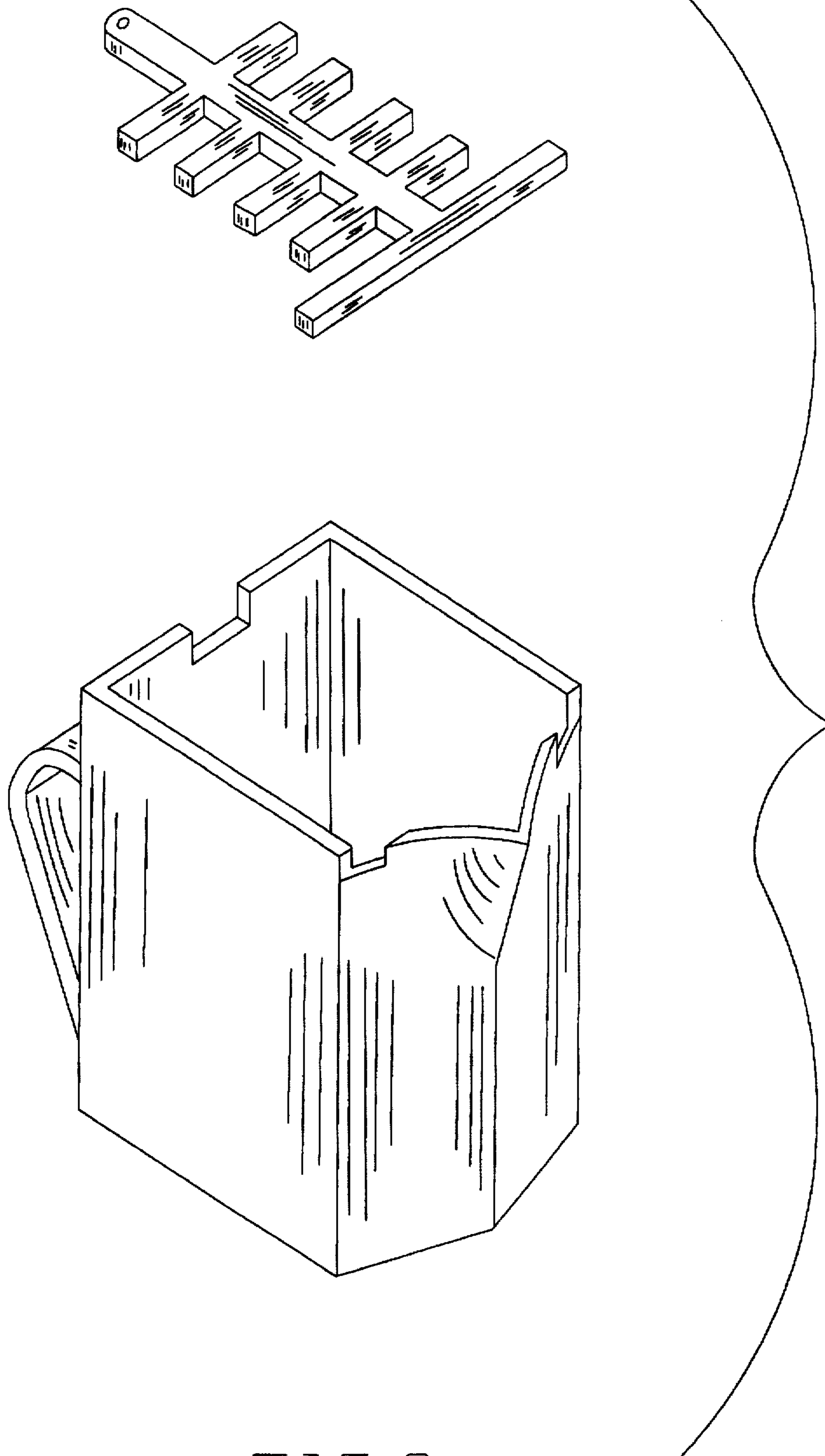


FIG.8

UNITED STATES PATENT AND TRADEMARK OFFICE  
**CERTIFICATE OF CORRECTION**

PATENT NO. : DES. 387,242

DATED : DECEMBER 9, 1997

INVENTOR(S) : NANCY LEE C. LOFTSGARD

It is certified that error appears in the above-identified patent and that said Letters Patent is hereby corrected as shown below:

**Title page, should read**

ASSIGNEE: BRANCY, LLC, FORT RANSOM, N.DAK.58033

Signed and Sealed this  
Seventh Day of April, 1998



*Attest:*

BRUCE LEHMAN

*Attesting Officer*

*Commissioner of Patents and Trademarks*