



US00D387240S

# United States Patent [19]

[11] Patent Number: **Des. 387,240**

Simmonds et al.

[45] Date of Patent: **\*\*Dec. 9, 1997**

[54] **PORTABLE DEVICE FOR HEATING FOOD**

[76] Inventors: **Artley Simmonds**, 70 Elsworth Dr., Rochester, N.Y. 14615; **Joseph Buonemani**, 42 E. Squire Dr., Apt. 1, Rochester, N.Y. 14623

[\*\*] Term: **14 Years**

[21] Appl. No.: **58,188**

[22] Filed: **Aug. 9, 1996**

[51] LOC (6) Cl. .... **07-02**

[52] U.S. Cl. .... **D7/339; D7/332**

[58] Field of Search ..... **D7/332-337, 365-366, D7/403-404; 126/25 R, 25 A, 29-30, 9 R, 38**

[56] **References Cited**

**U.S. PATENT DOCUMENTS**

D. 269,319	6/1983	Fox	.....	D7/355
D. 276,493	11/1984	Cesaroni	.....	D7/355
D. 284,929	8/1986	Schlosser et al.	.....	D7/332
D. 289,130	4/1987	Rengeji et al.	..	
D. 289,847	5/1987	Okamoto et al.	..	

D. 293,191	12/1987	Stephen et al.	.....	D7/332
D. 296,509	7/1988	Fuke	..	
D. 376,510	12/1996	Ting	.....	D7/332
3,585,050	6/1971	Singer et al.	..	
4,909,235	3/1990	Boetcker	..	
5,159,917	11/1992	Archer et al.	.....	126/25 R
5,307,798	5/1994	Overmars, Sr.	..	

*Primary Examiner*—Ruth McInroy  
*Attorney, Agent, or Firm*—Dennis H. Lambert

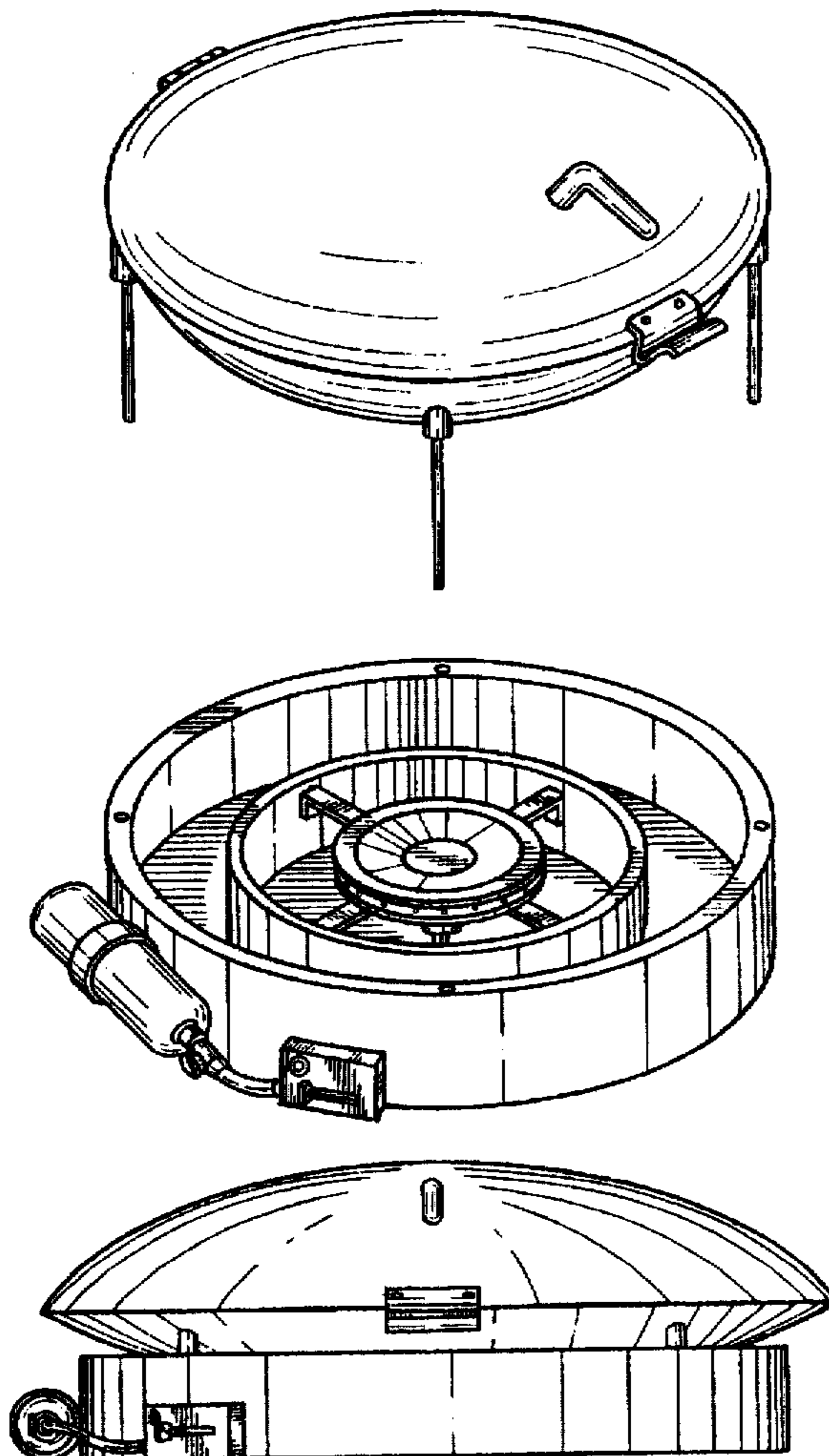
[57] **CLAIM**

The ornamental design for a portable device for heating food, as shown and described.

**DESCRIPTION**

FIG. 1 is an exploded front, top and side perspective view of a portable device for heating food showing our new design; FIG. 2 is a front elevational view thereof; FIG. 3 is a rear elevational view thereof; FIG. 4 is a left side elevational view thereof; FIG. 5 is a top plan view thereof; FIG. 6 is a bottom plan view thereof; and, FIG. 7 is a right side elevational view thereof.

**1 Claim, 4 Drawing Sheets**



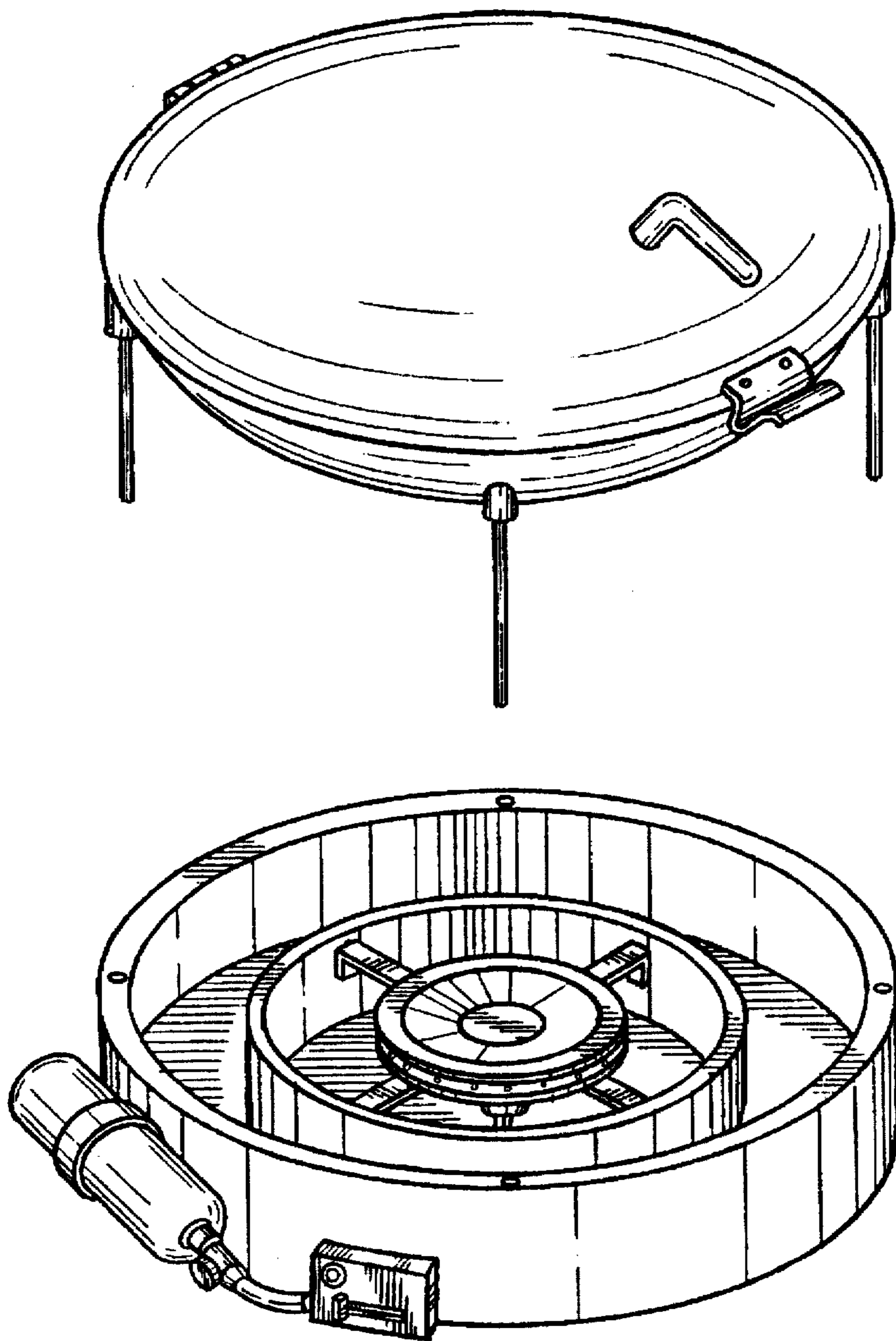


FIG. 1.

FIG. 2.

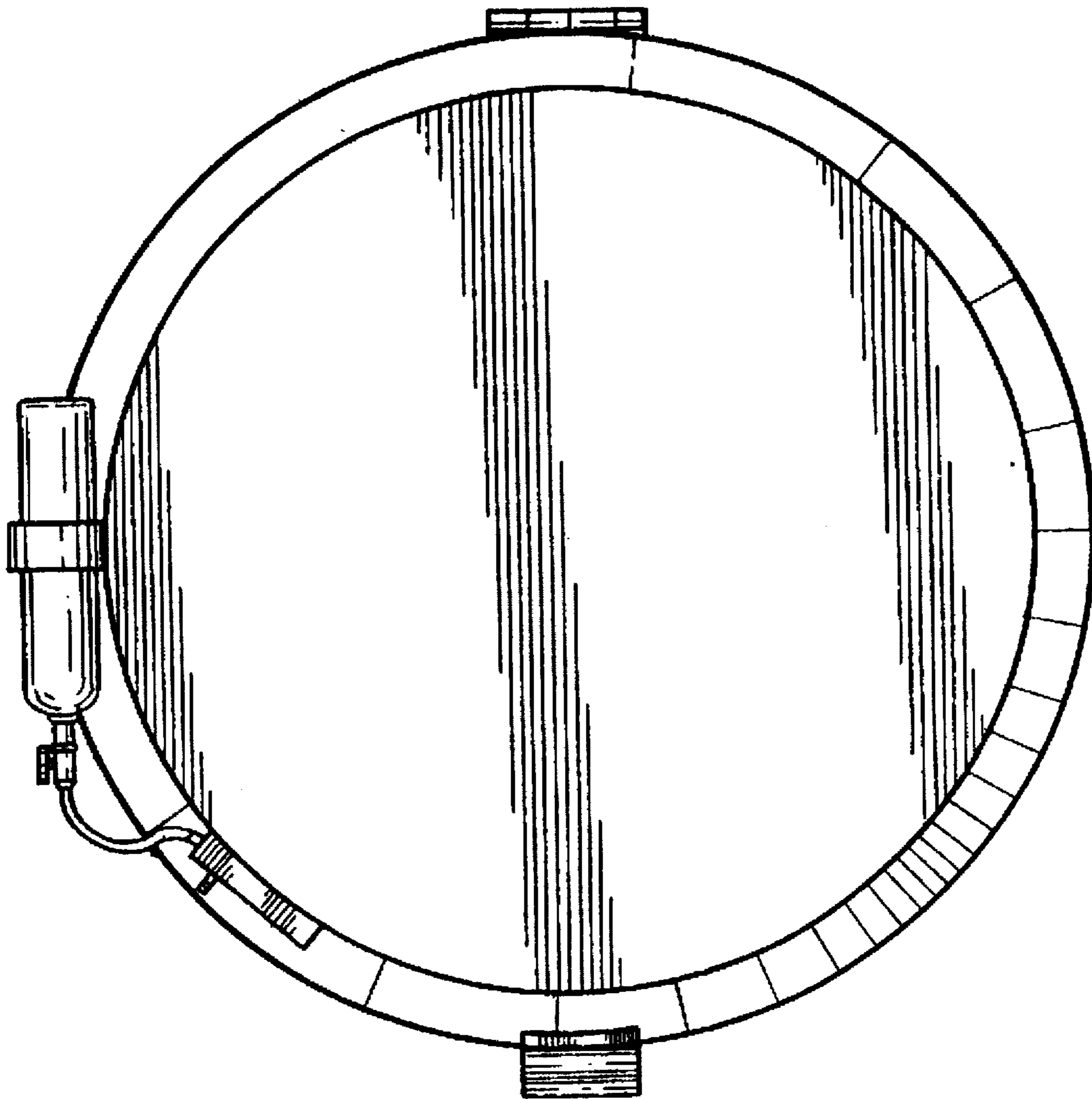
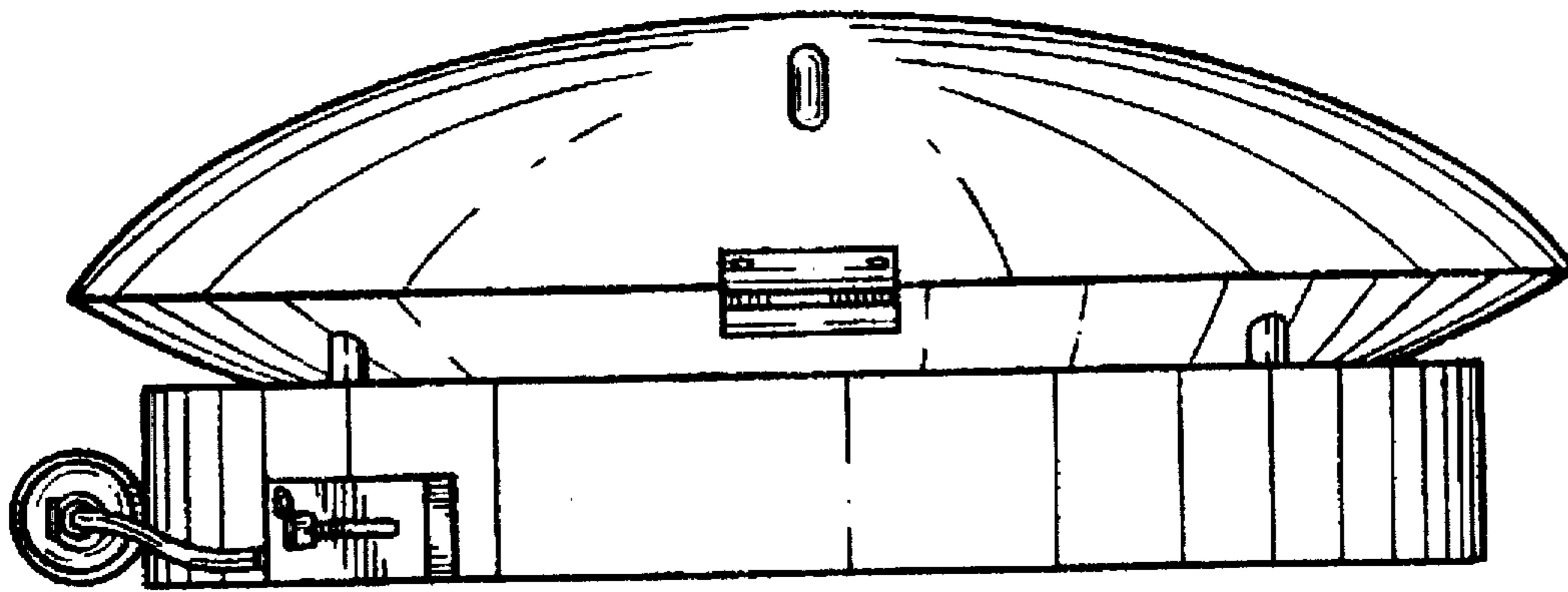


FIG. 6.

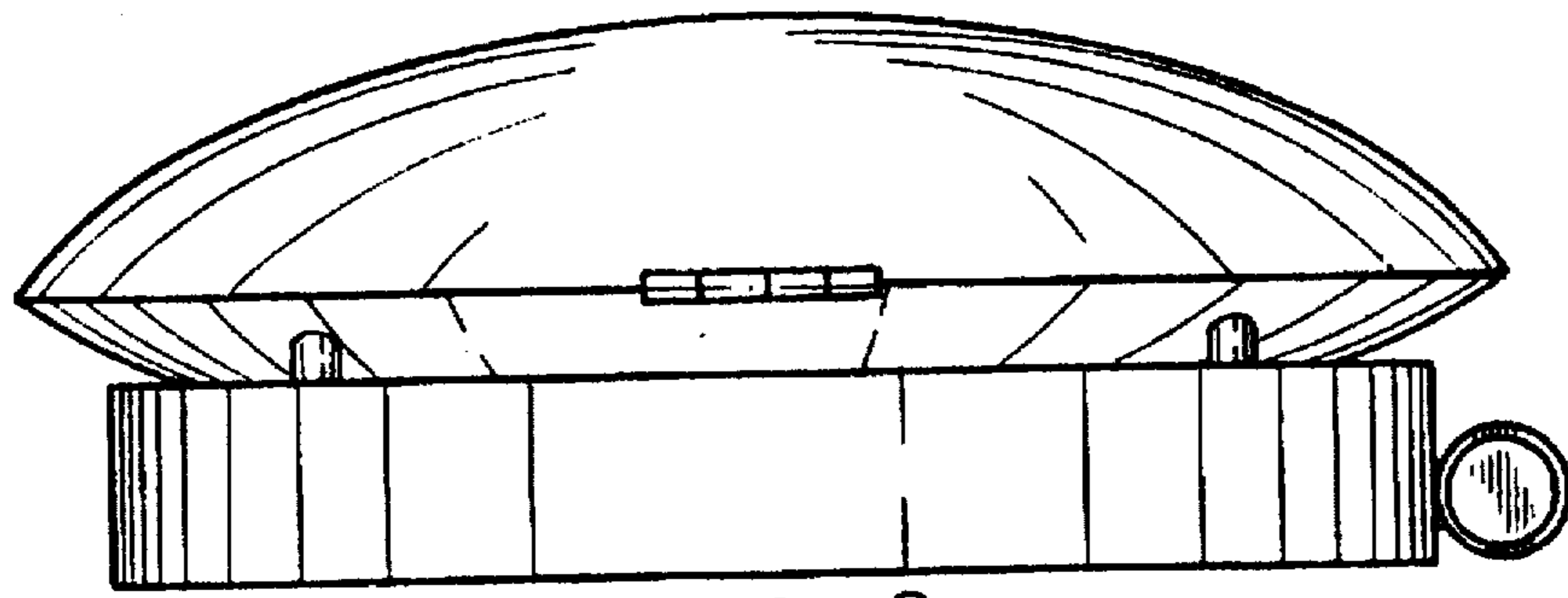


FIG. 3.

FIG. 4.

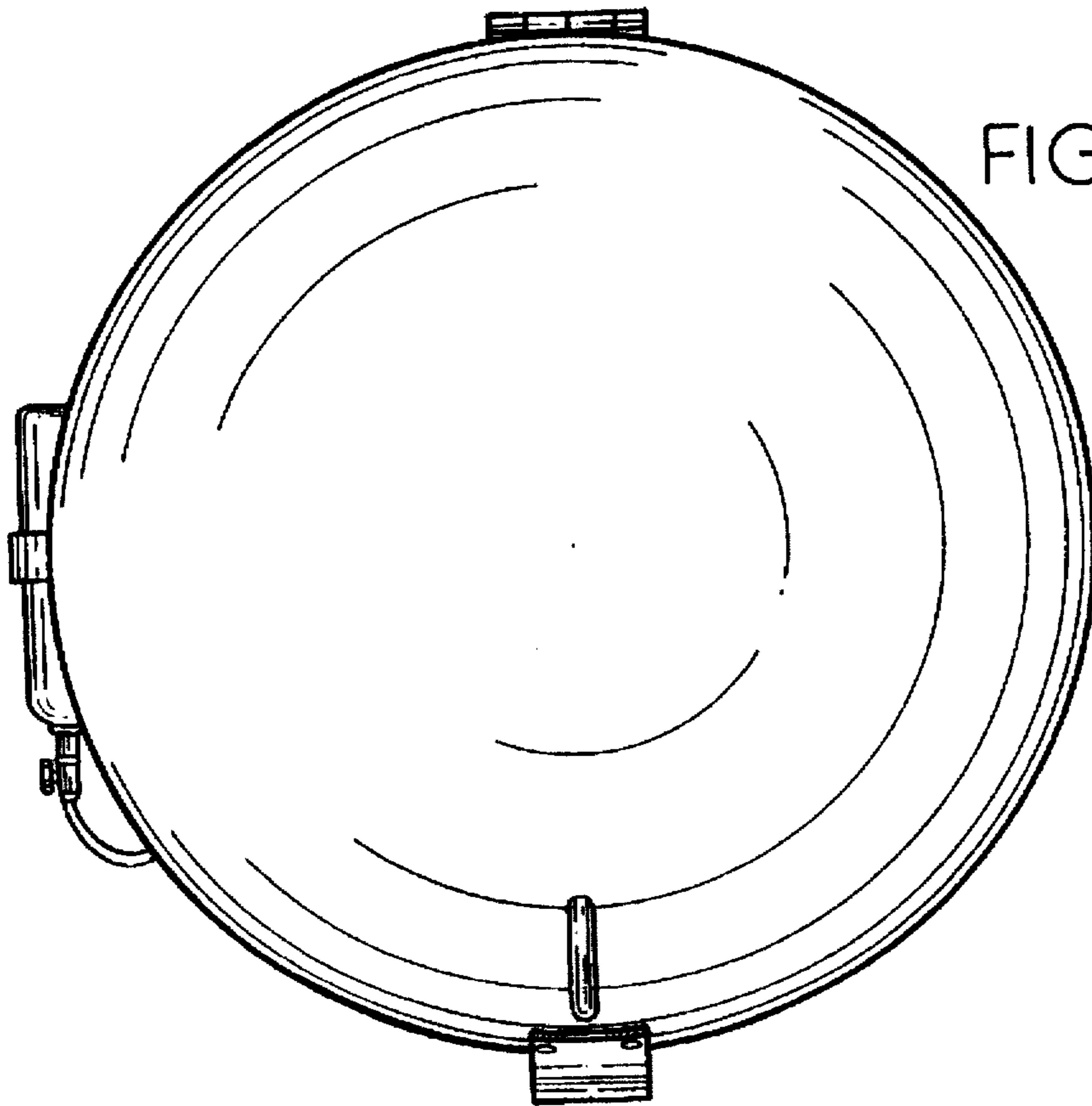
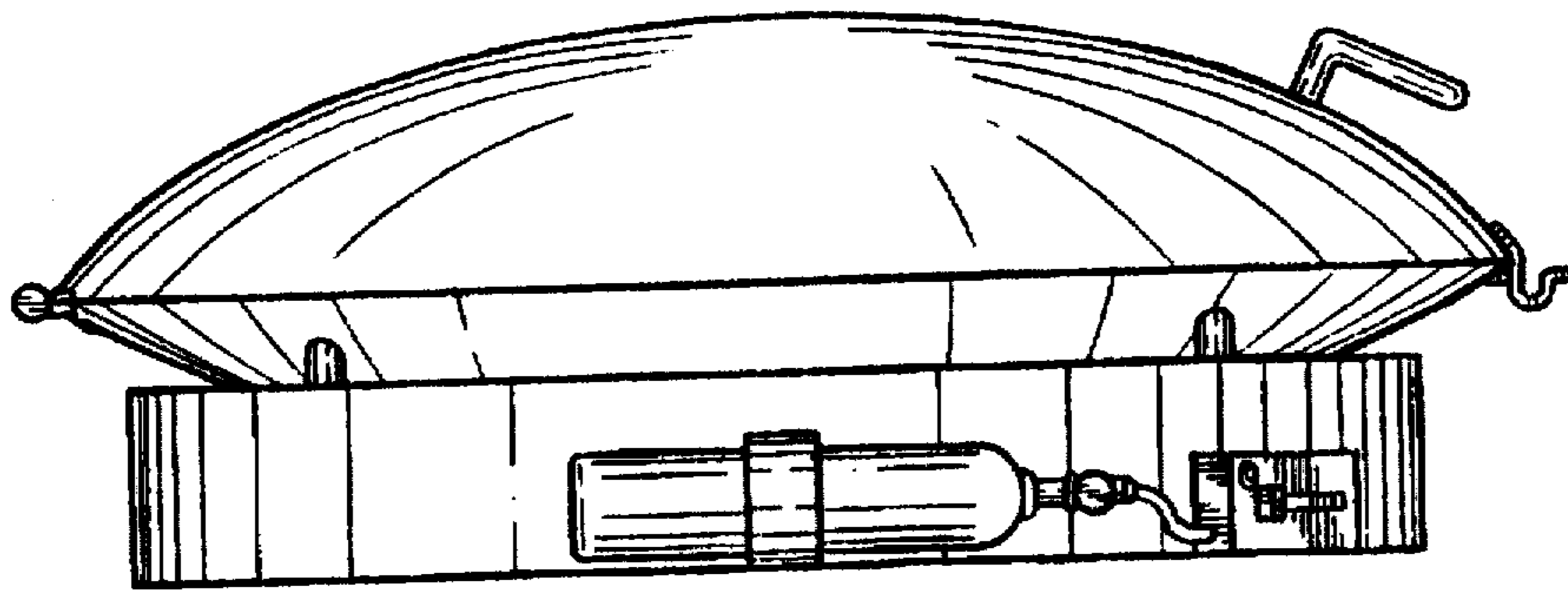


FIG. 5.

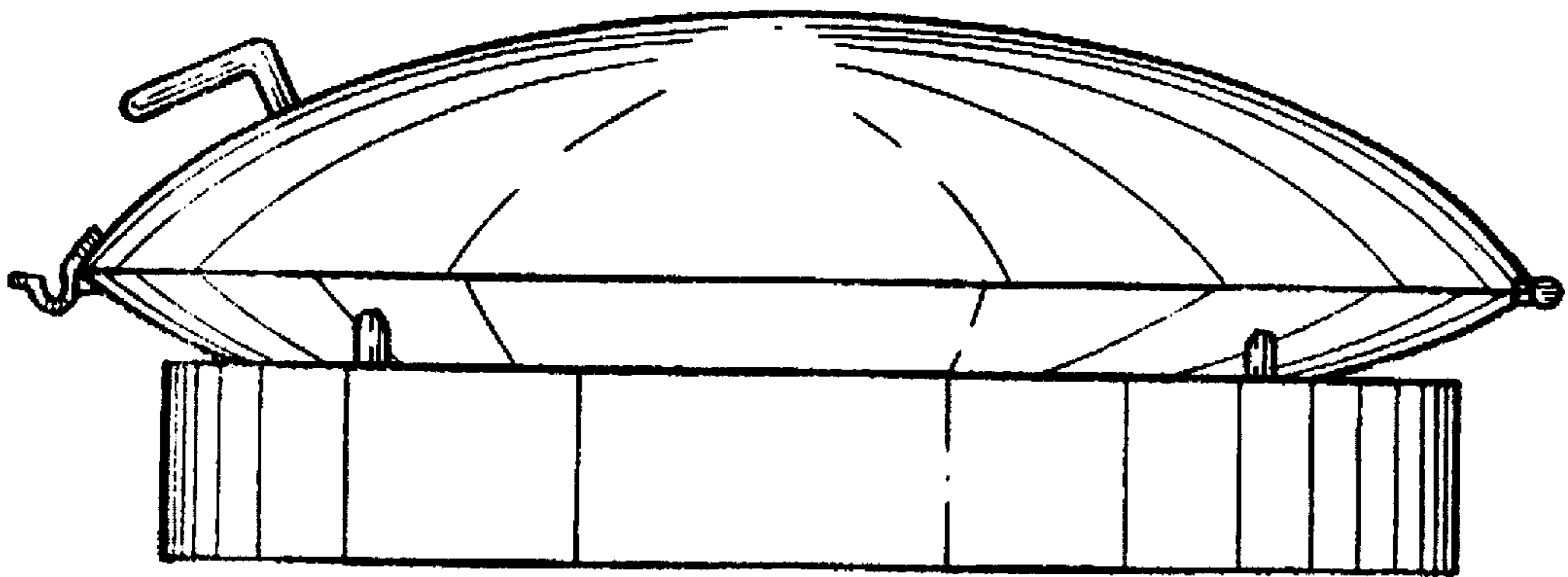


FIG. 7.