



US00D387239S

**United States Patent** [19]  
**Johnstone**

[11] **Patent Number:** **Des. 387,239**  
[45] **Date of Patent:** **\*\*Dec. 9, 1997**

[54] **BOTTLE COOLER/WARMER**

4,119,248 10/1978 Butler et al. .... D7/605 X

[75] **Inventor:** **Scott Allan Johnstone**, Pleasant Valley, Conn.

*Primary Examiner*—Caron D. Veynar  
*Attorney, Agent, or Firm*—Fish & Richardson P.C.

[73] **Assignee:** **The First Years Inc.**, Avon, Mass.

[57] **CLAIM**

[\*\*] **Term:** **14 Years**

The ornamental design for a bottle cooler/warmer, as shown and described.

[21] **Appl. No.:** **61,582**

**DESCRIPTION**

[22] **Filed:** **Oct. 25, 1996**

[51] **LOC (6) Cl.** ..... **07-02**

[52] **U.S. Cl.** ..... **D7/326**

[58] **Field of Search** ..... D7/323, 326, 605;  
D3/264; 99/359; 126/261, 265; 165/76,  
80.5; 222/146.5, 185.1; 219/386, 432, 437,  
521; 446/418

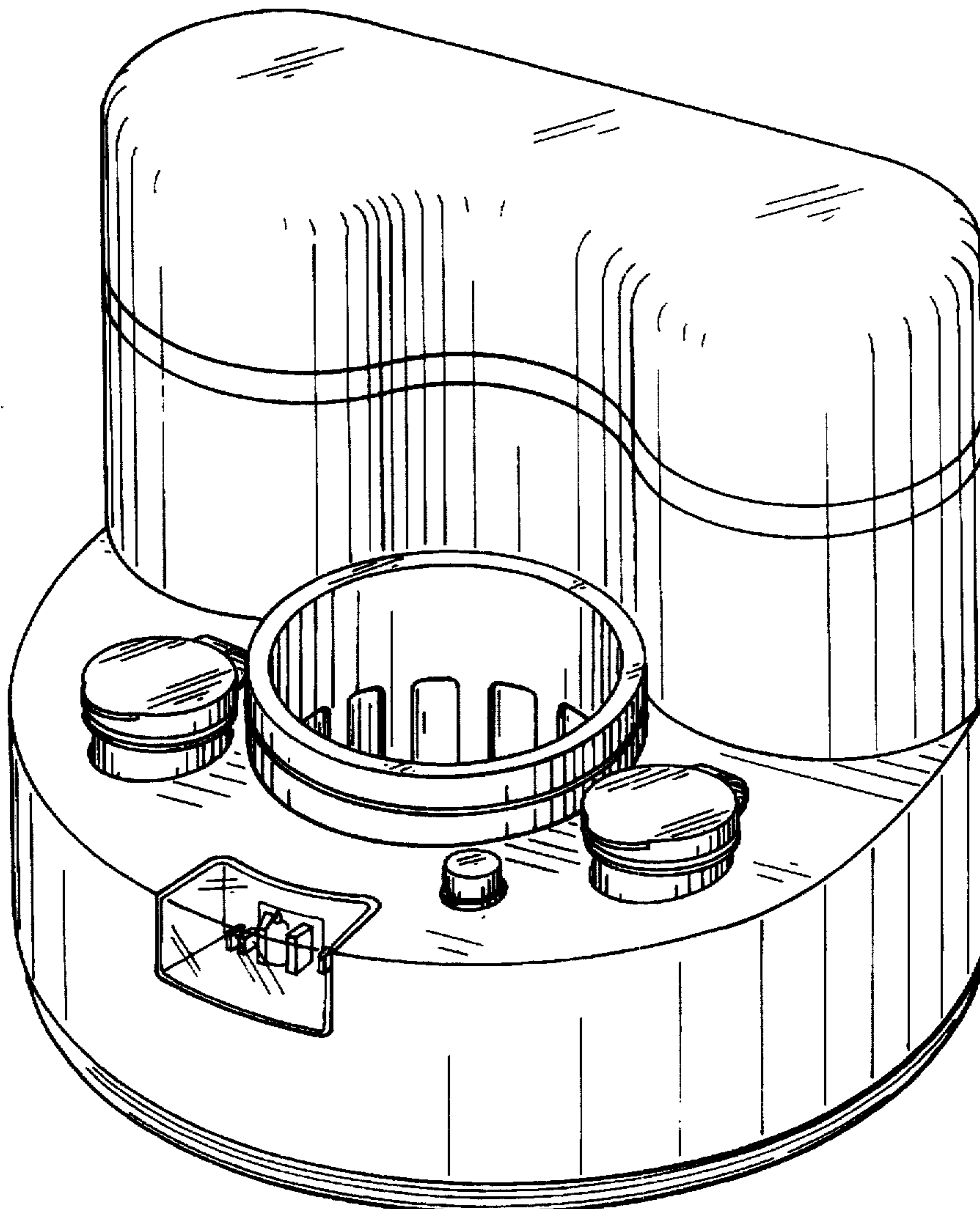
FIG. 1 is a perspective view of a bottle cooler/warmer;  
FIG. 2 is a front elevation view thereof;  
FIG. 3 is a rear elevation view thereof;  
FIG. 4 is a side elevation view thereof;  
FIG. 5 is a side elevation view thereof, opposite that shown in FIG. 4;  
FIG. 6 is a top plan view thereof; and,  
FIG. 7 is a bottom plan view thereof.

[56] **References Cited**

**U.S. PATENT DOCUMENTS**

2,428,996 10/1947 Schworm, Jr. .... D7/326 X

**1 Claim, 6 Drawing Sheets**



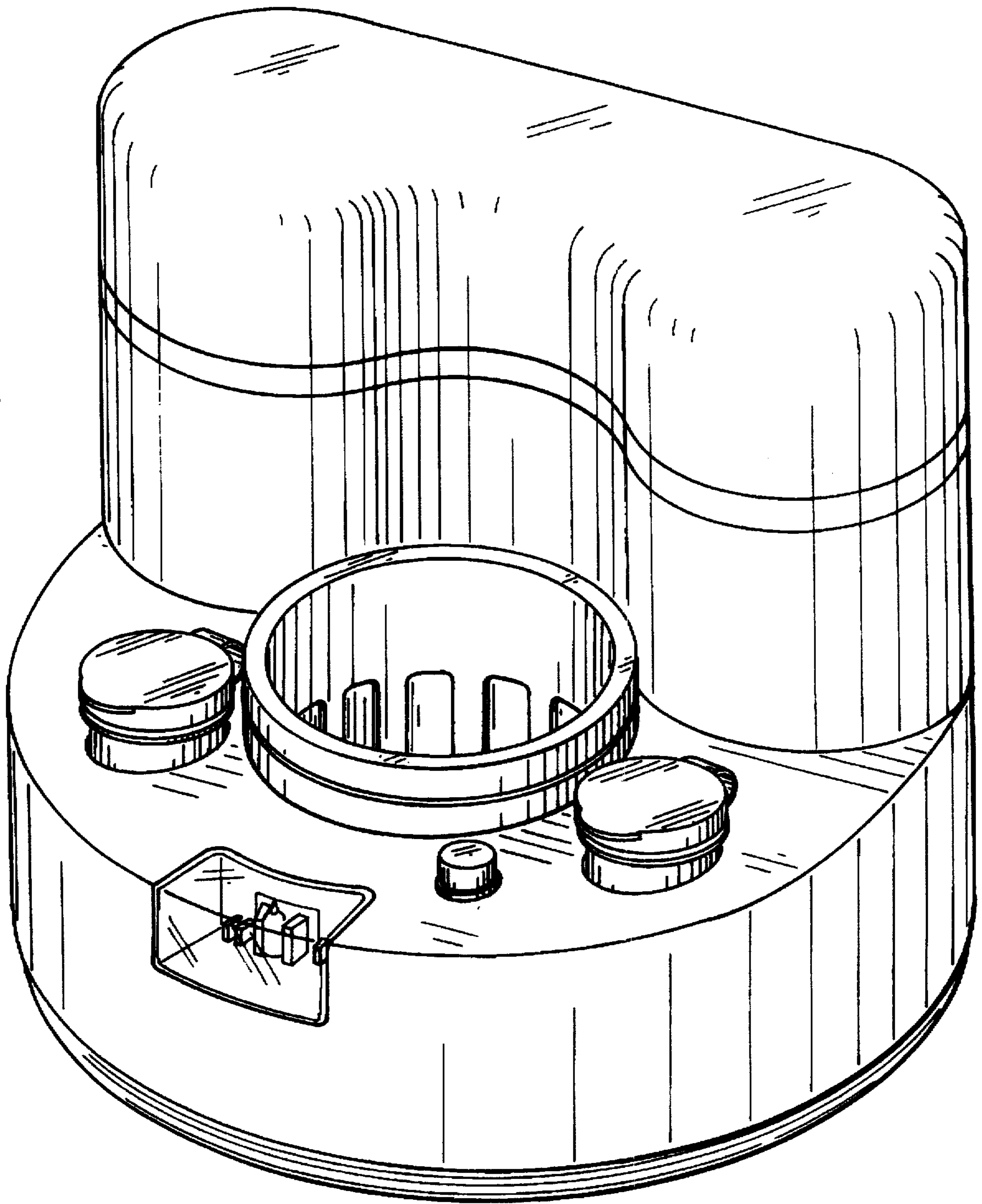


FIG. 1

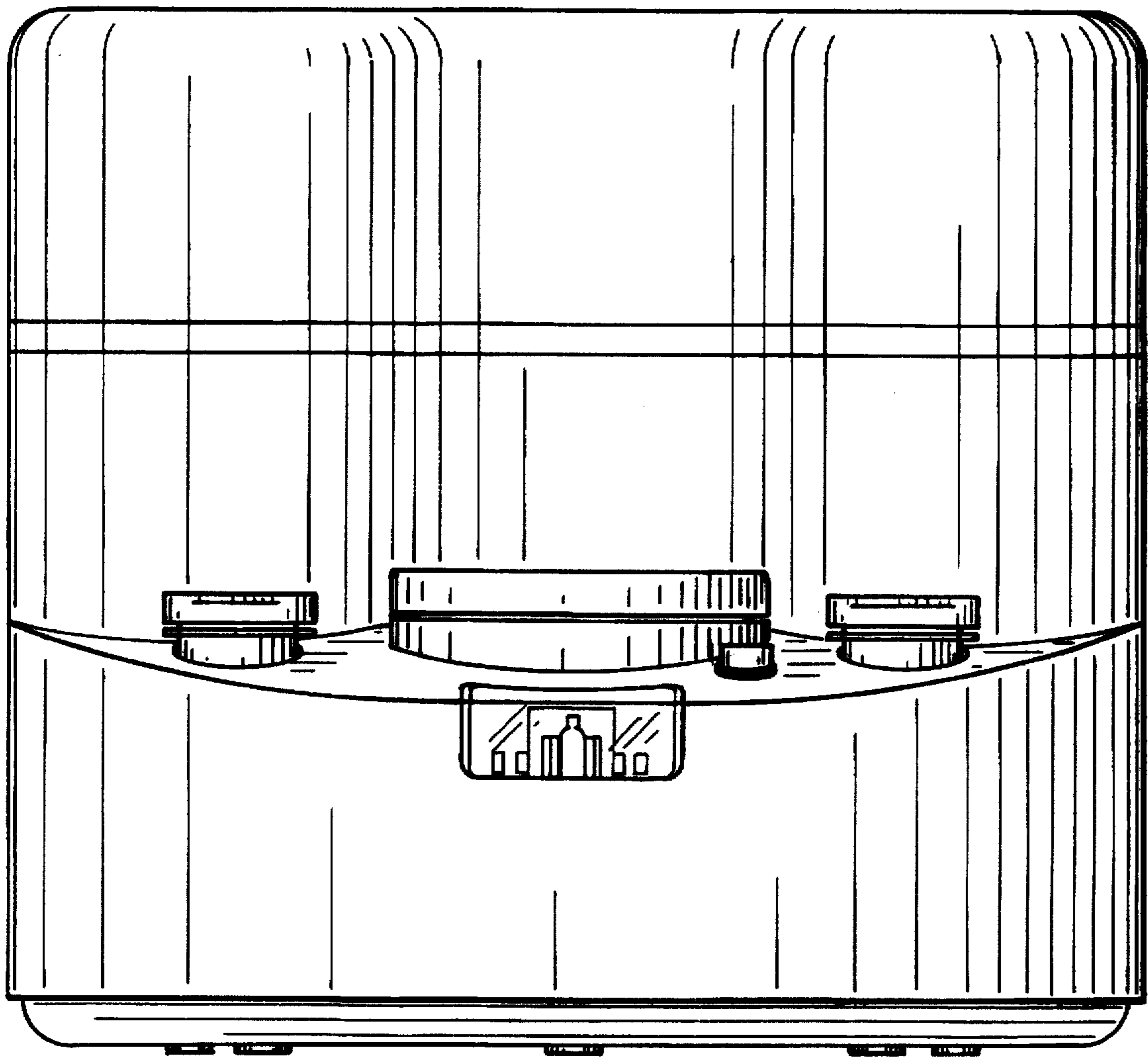


FIG. 2

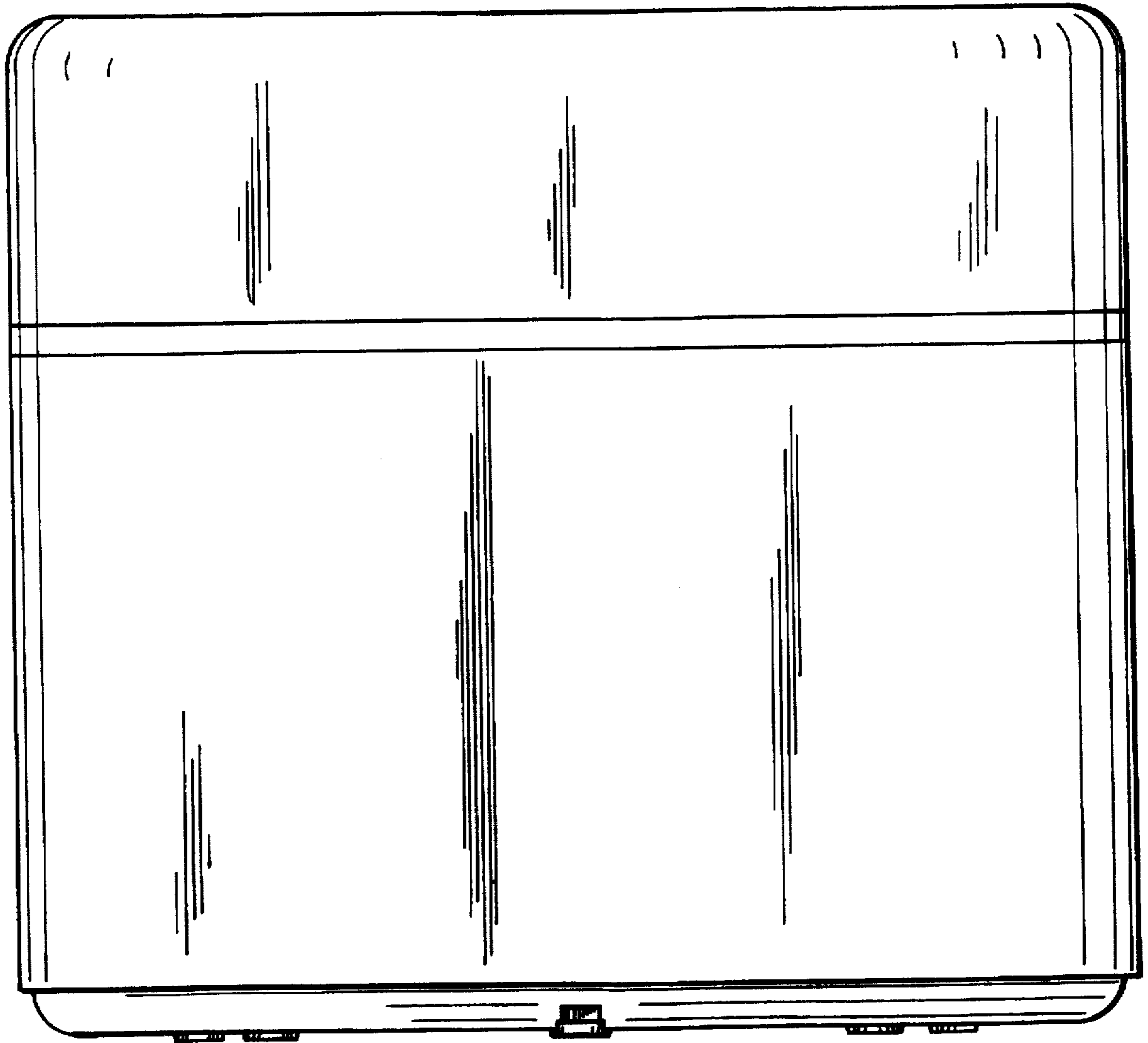


FIG. 3

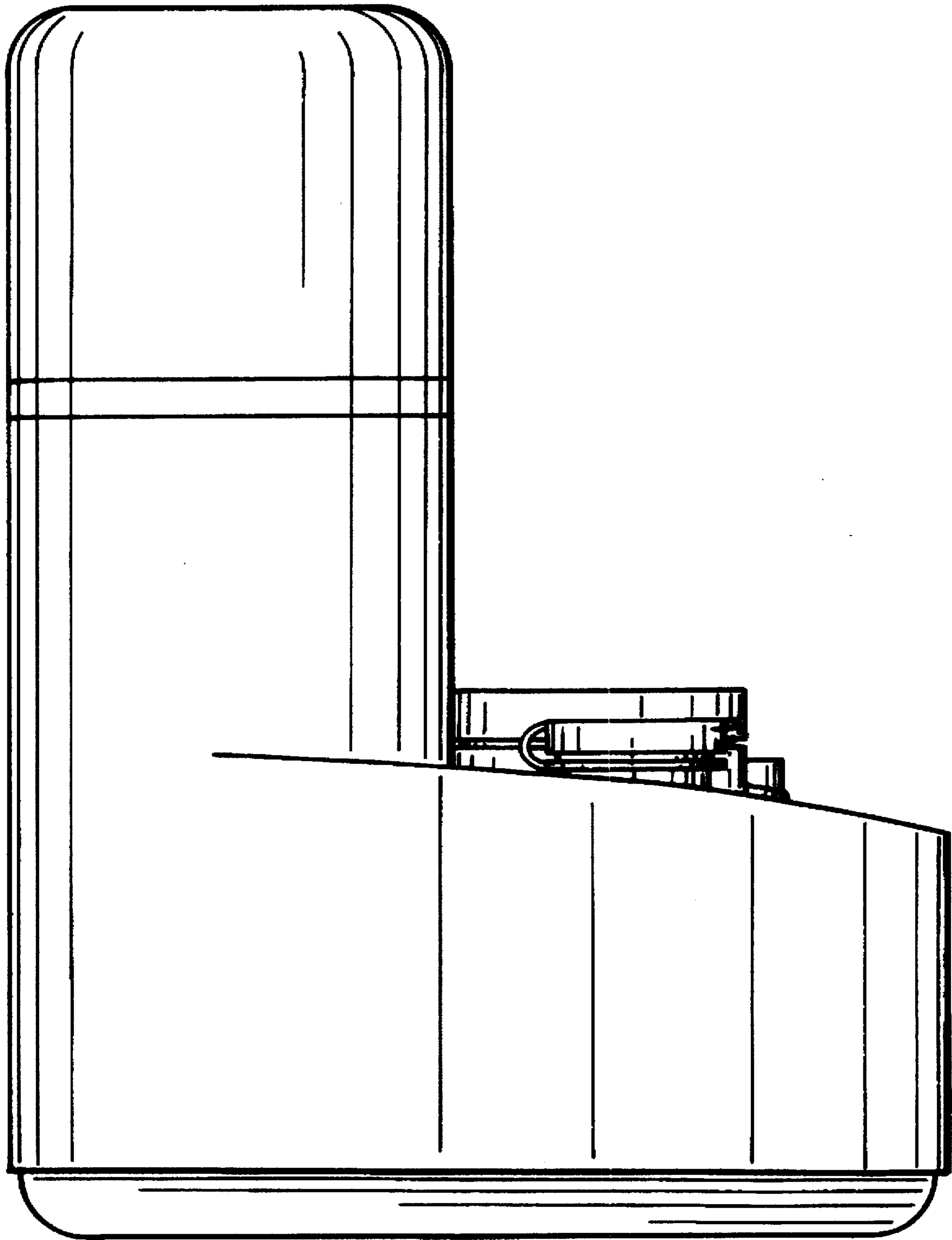


FIG. 4

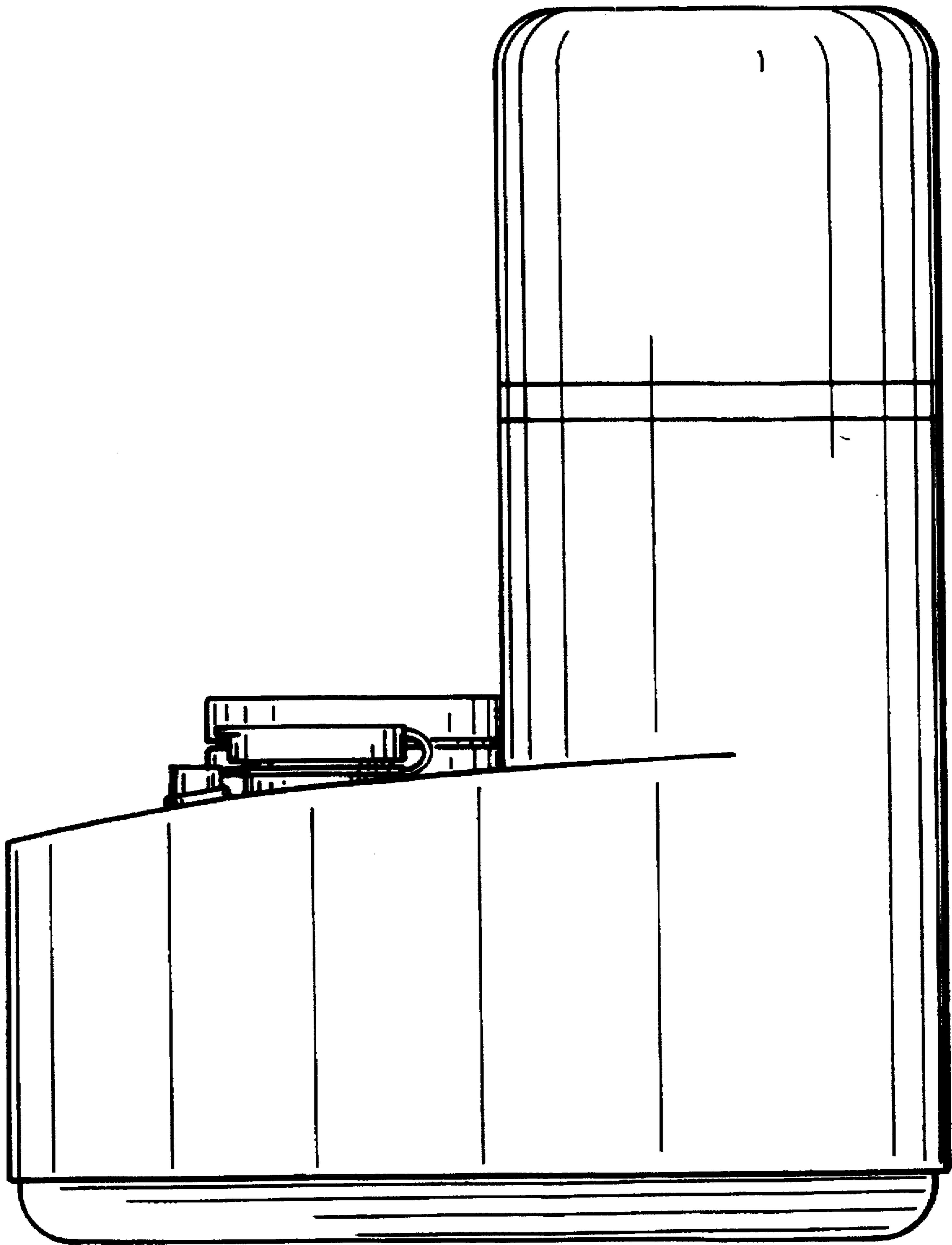


FIG. 5

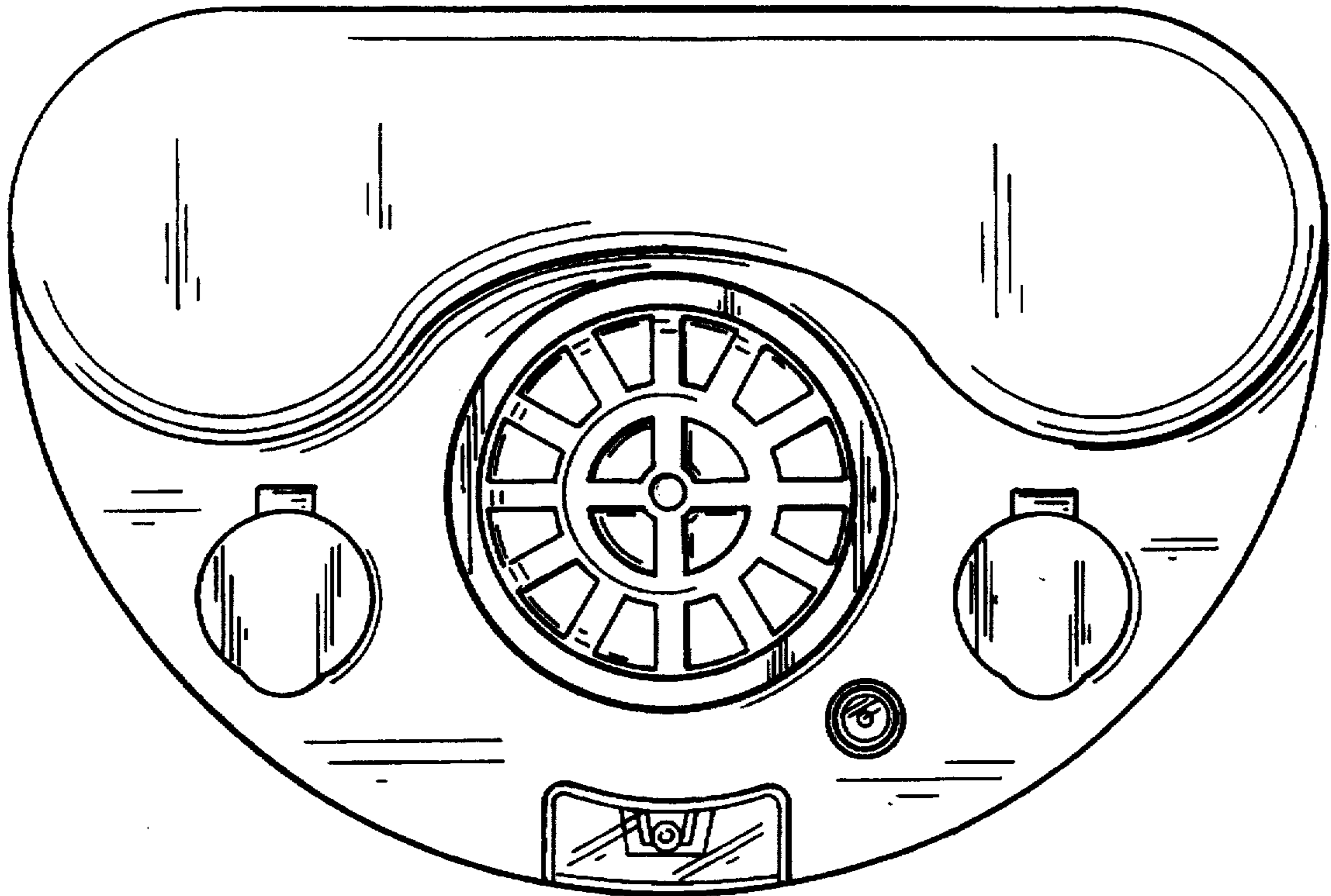


FIG. 6

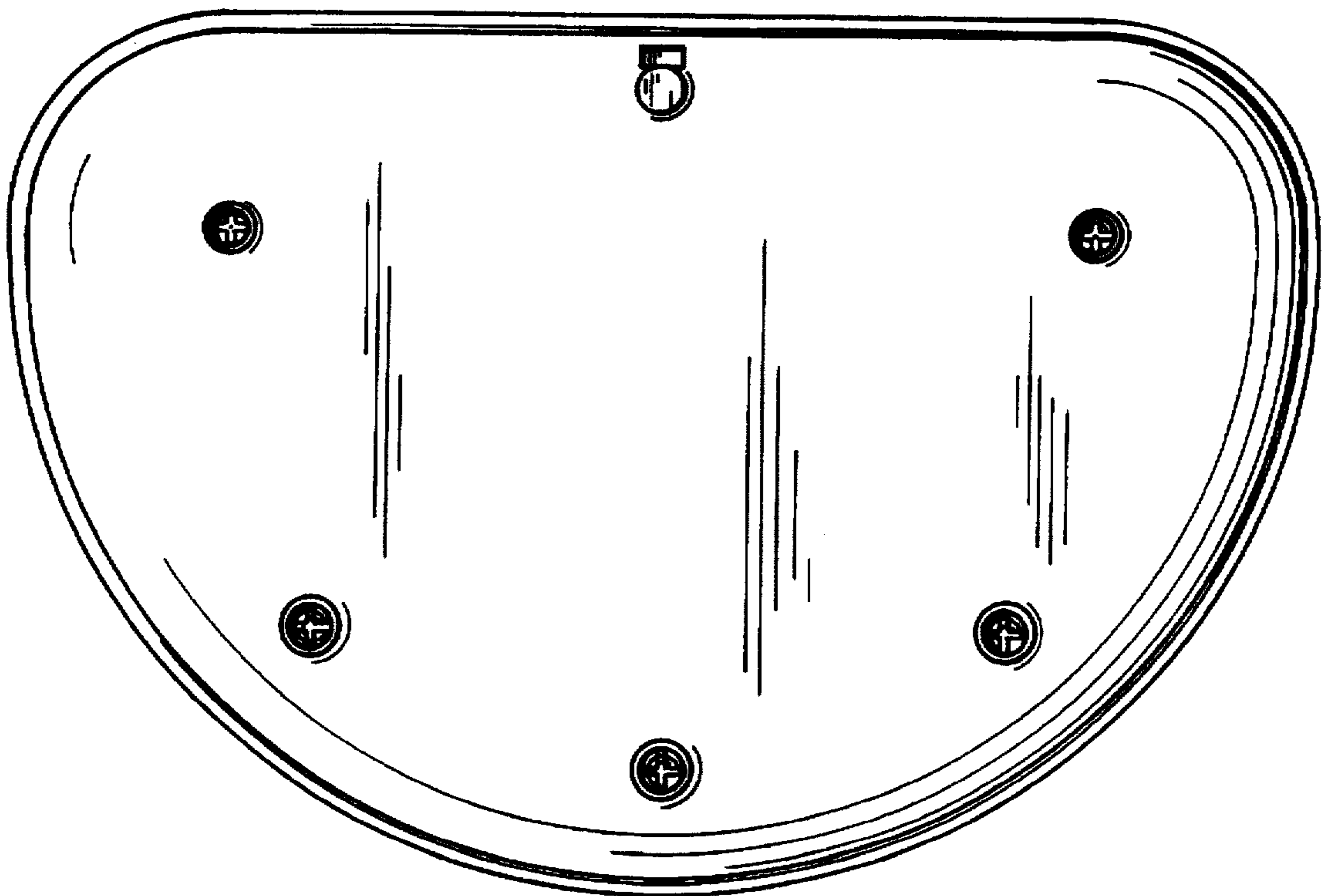


FIG. 7