



US00D387238S

**United States Patent** [19]  
**Rodgers**

[11] **Patent Number:** **Des. 387,238**  
[45] **Date of Patent:** **\*\*Dec. 9, 1997**

[54] **SOLAR COOKING OVEN**

[76] **Inventor:** **John Rodgers, 3808 Morningside Dr. N., Ellenton, Fla. 34222**

[\*\*] **Term:** **14 Years**

[21] **Appl. No.:** **47,626**

[22] **Filed:** **Dec. 8, 1995**

[51] **LOC (6) CL** ..... **31-00**

[52] **U.S. Cl.** ..... **D7/324; 126/682**

[58] **Field of Search** ..... **D7/324; D21/208; D15/144.1; 126/680, 681, 682, 683, 684**

[56] **References Cited**

**U.S. PATENT DOCUMENTS**

D. 216,816	3/1970	Bennett	.....	D21/292
D. 229,203	11/1973	Cicero	.....	D21/208
D. 259,694	6/1981	Halacy, Jr.	.....	D7/324
D. 278,504	4/1985	Jerman	.....	D7/324
3,025,851	3/1962	Steinberg	.....	126/270
3,028,856	4/1962	Daymon	.....	126/170
3,106,201	10/1963	Steinberg	.....	126/270
4,077,391	3/1978	Way, Jr.	.....	126/270
4,130,106	12/1978	Clevett et al.	.....	126/270
4,284,071	8/1981	Steinberg	.....	126/681
4,292,957	10/1981	Golde	.....	126/882
4,446,854	5/1984	Clevett et al.	.....	126/451
4,637,376	1/1987	Varney et al.	.....	126/451
4,848,320	7/1989	Burns et al.	.....	126/451

**OTHER PUBLICATIONS**

The Crawford, MjcGreglor and Canby Co. Ctalog, p. 46, Jan. 1931.

*Primary Examiner*—Louis S. Zarfaz  
*Assistant Examiner*—Frank Martinez  
*Attorney, Agent, or Firm*—Oldham & Oldham Co., LPA

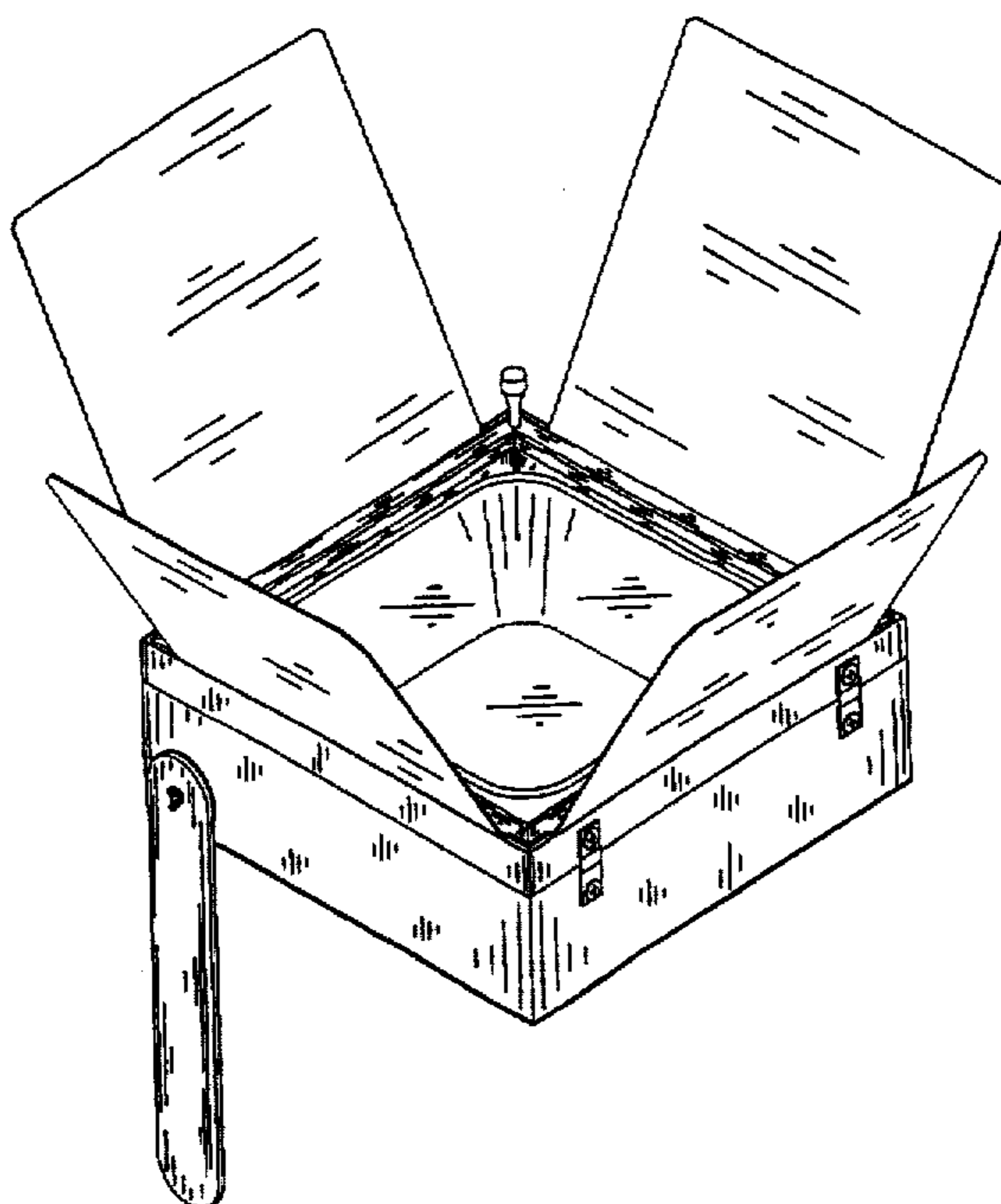
[57] **CLAIM**

The ornamental design for a solar cooking oven, as shown and described.

**DESCRIPTION**

FIG. 1 is a perspective illustration of the invention deployed and open and ready to receive the food for cooking;  
 FIG. 2 is an exploded perspective illustration disclosing the four solar reflector sheets and solar aiming peg in an uninstalled status;  
 FIG. 3 is a top plan view of the invention as disclosed in FIG. 1;  
 FIG. 4 is a bottom plan view of the invention as disclosed in FIG. 1;  
 FIG. 5 is a front elevational view of the invention as disclosed in FIG. 1;  
 FIG. 6 is a rear elevational view of the invention as disclosed in FIG. 1;  
 FIG. 7 is a left side elevational view of the invention as disclosed in FIG. 1;  
 FIG. 8 is a right side elevational view of the invention as disclosed in FIG. 1;  
 FIG. 9 is a top plan view of the invention in the collapsed state ready for transport disclosing the transparent cover;  
 FIG. 10 is a bottom plan view of the invention as disclosed in FIG. 9;  
 FIG. 11 is a front plan view of the invention as disclosed in FIG. 9;  
 FIG. 12 is a rear elevation view of the invention as disclosed in FIG. 9;  
 FIG. 13 is a left side elevation view of the invention as disclosed in FIG. 9 showing the adjustable support strut in a collapsed status; and,  
 FIG. 14 is a right side elevation view of the invention as disclosed in FIG. 9.

**1 Claim, 6 Drawing Sheets**



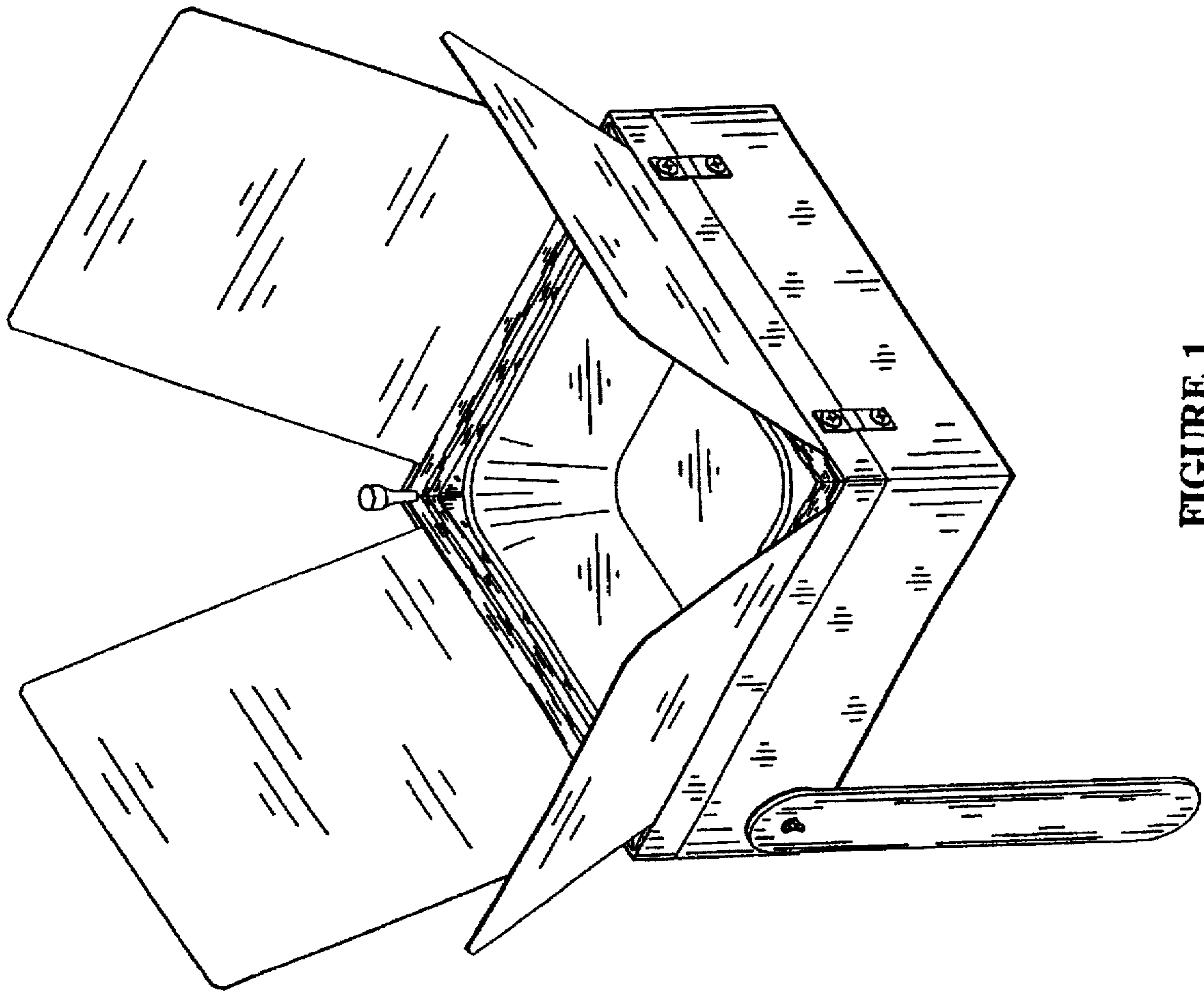


FIGURE 1

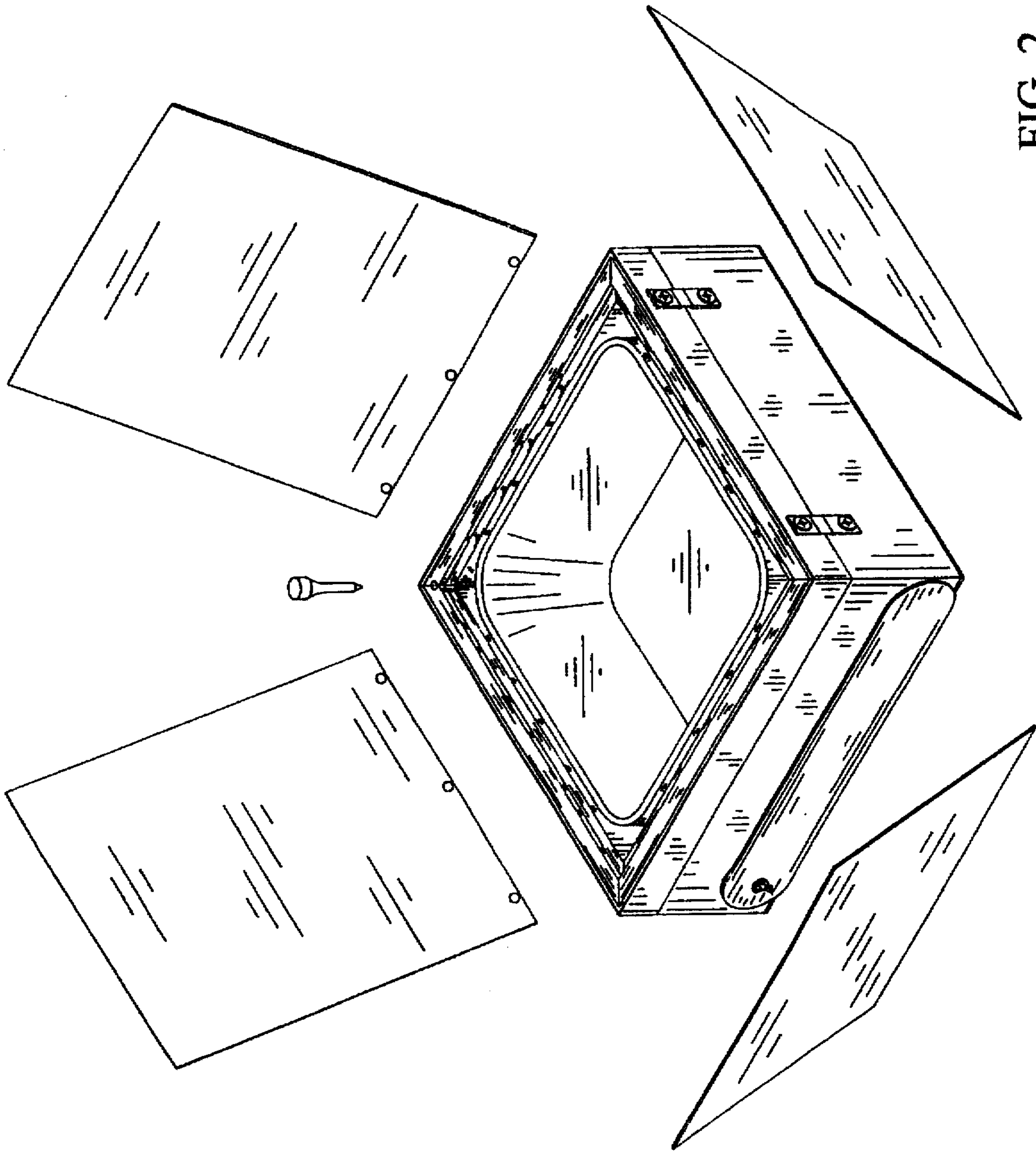


FIG. 2

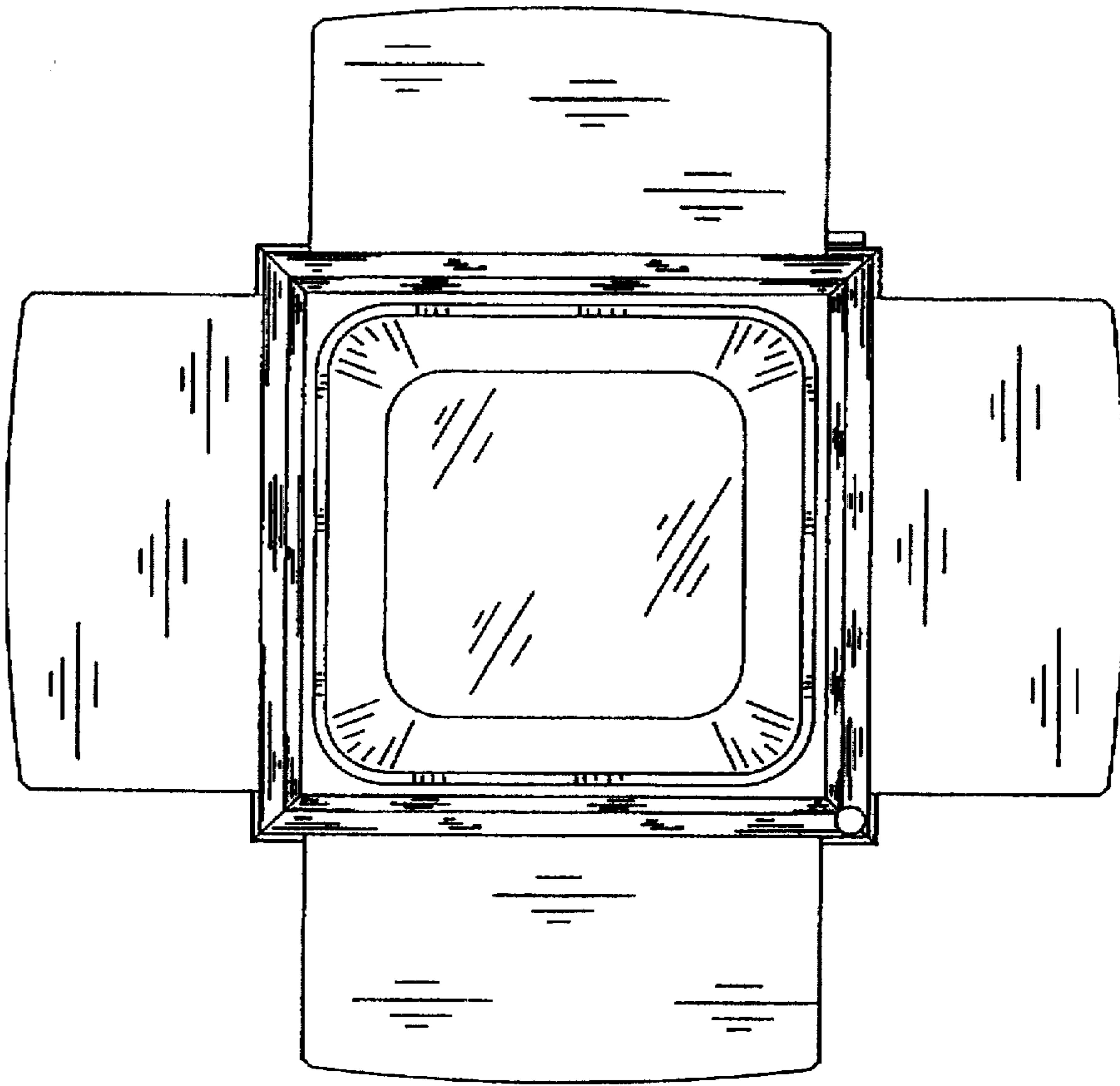


FIGURE 3

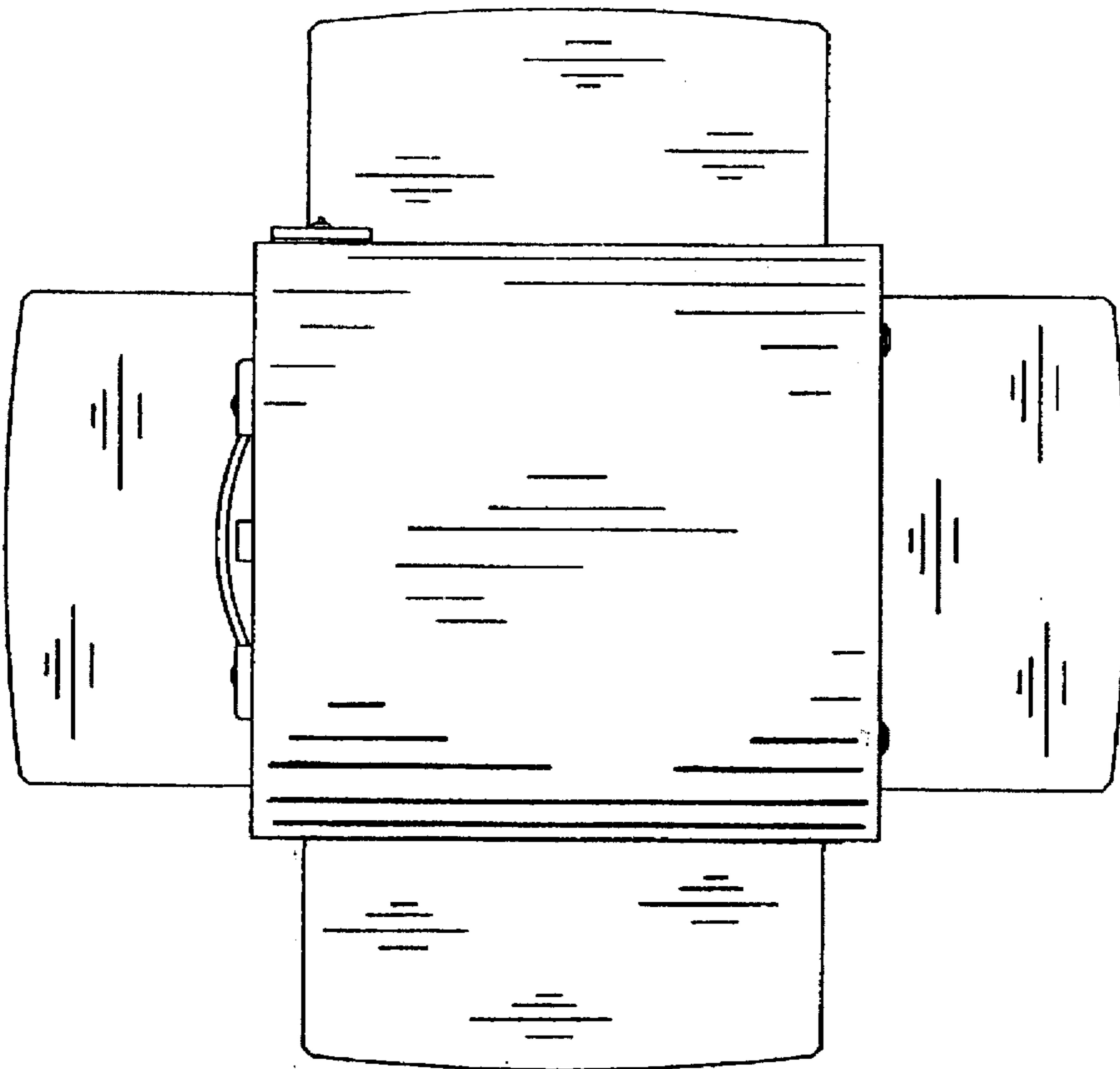


FIGURE 4

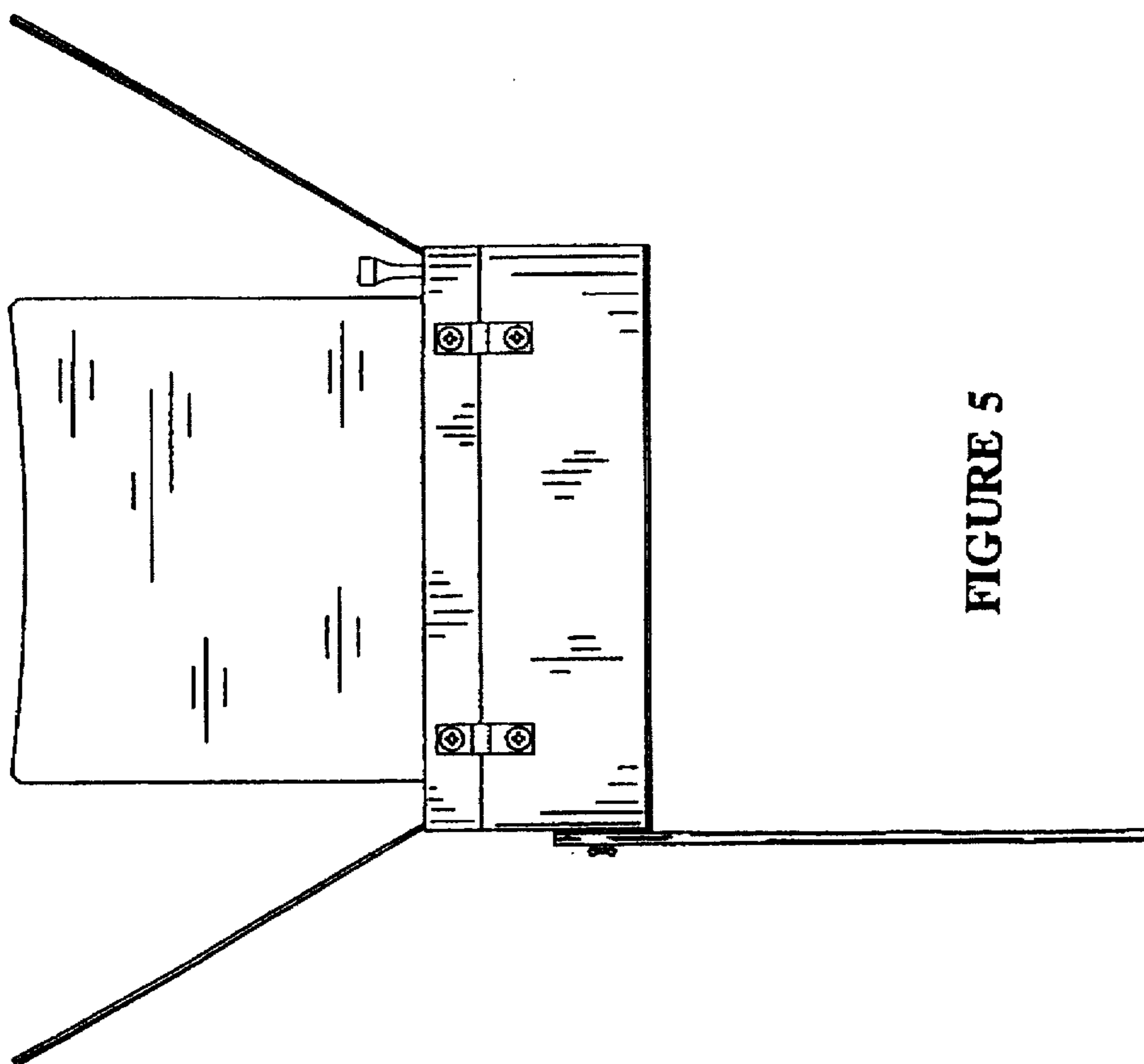


FIGURE 5

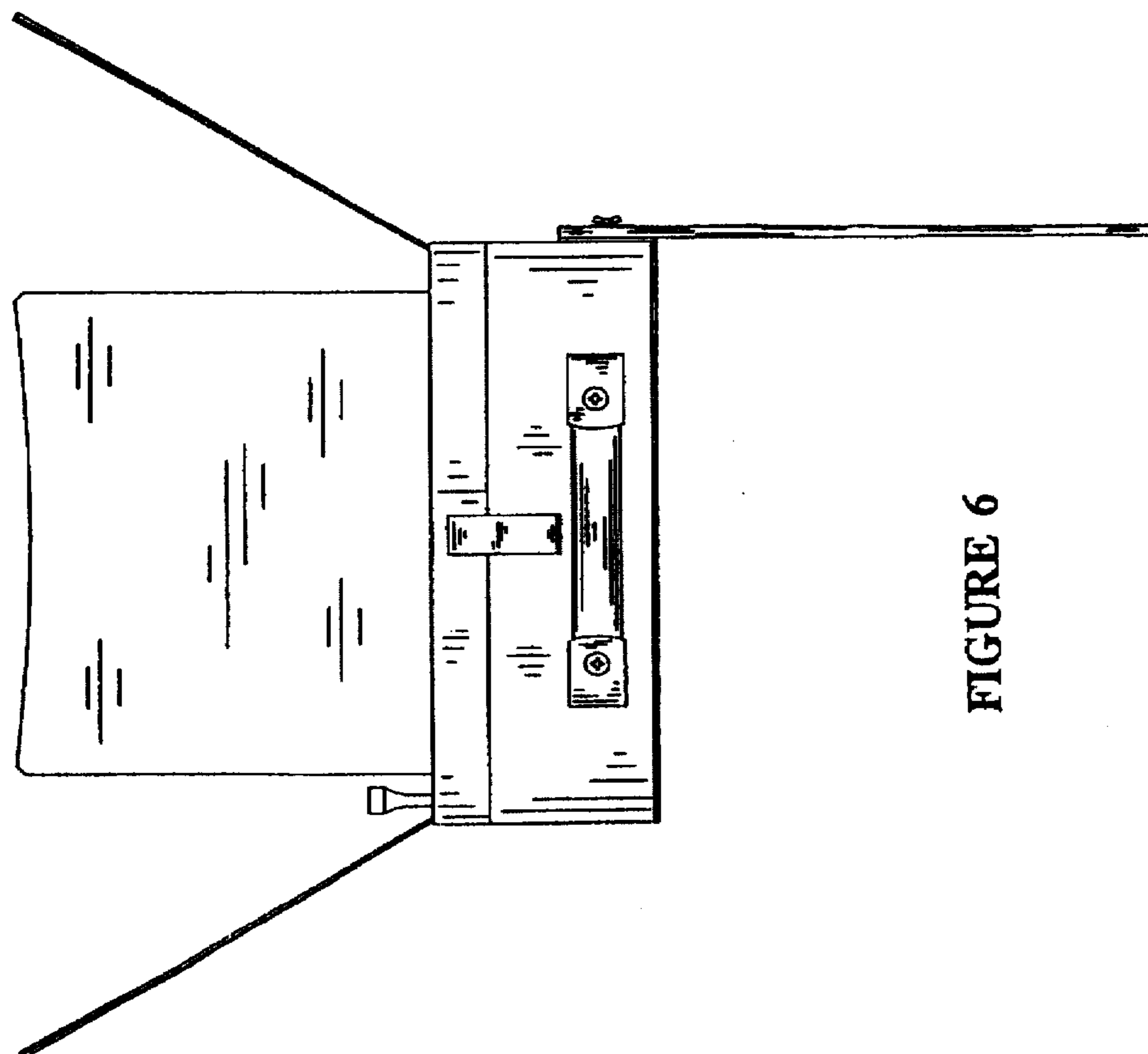


FIGURE 6

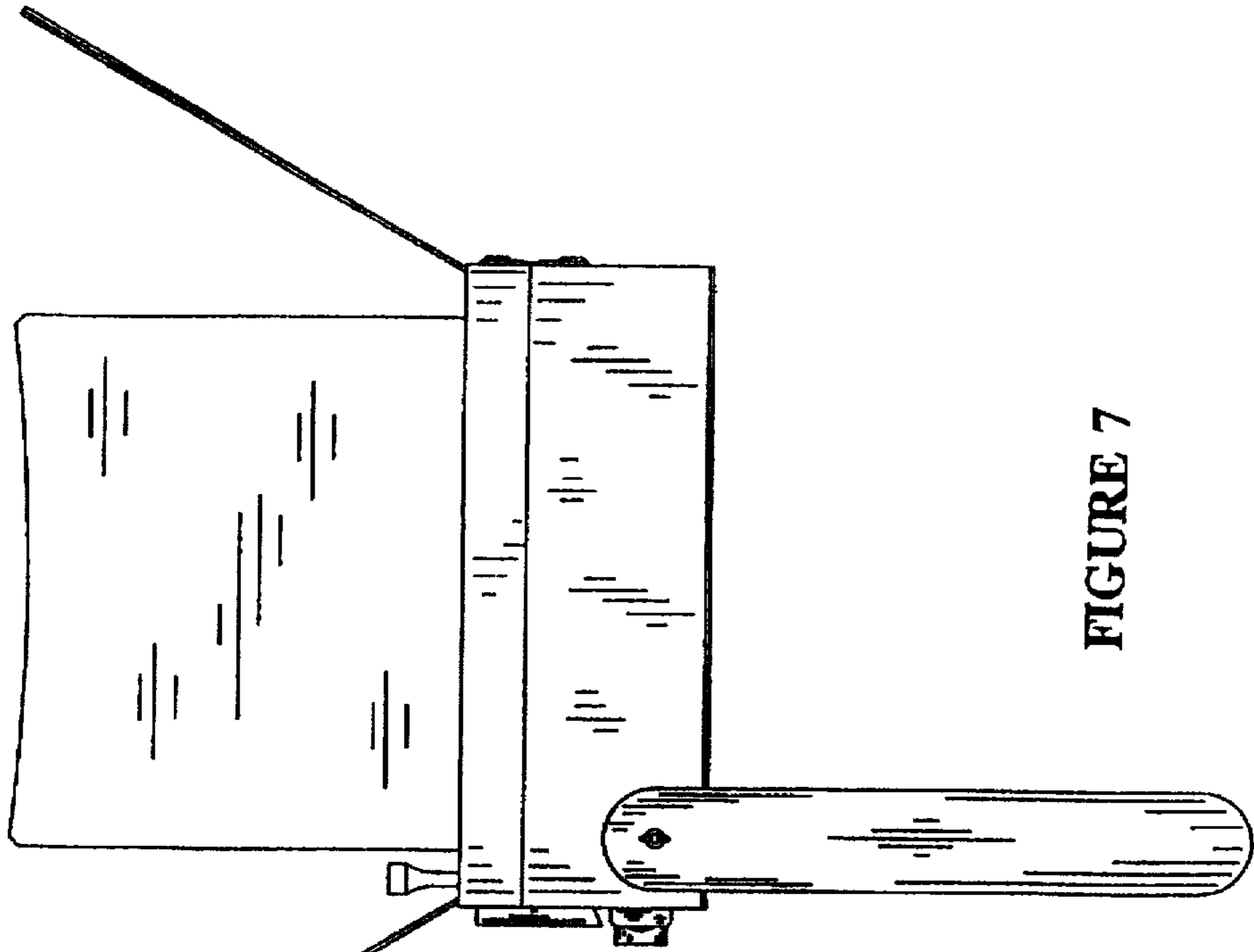


FIGURE 7

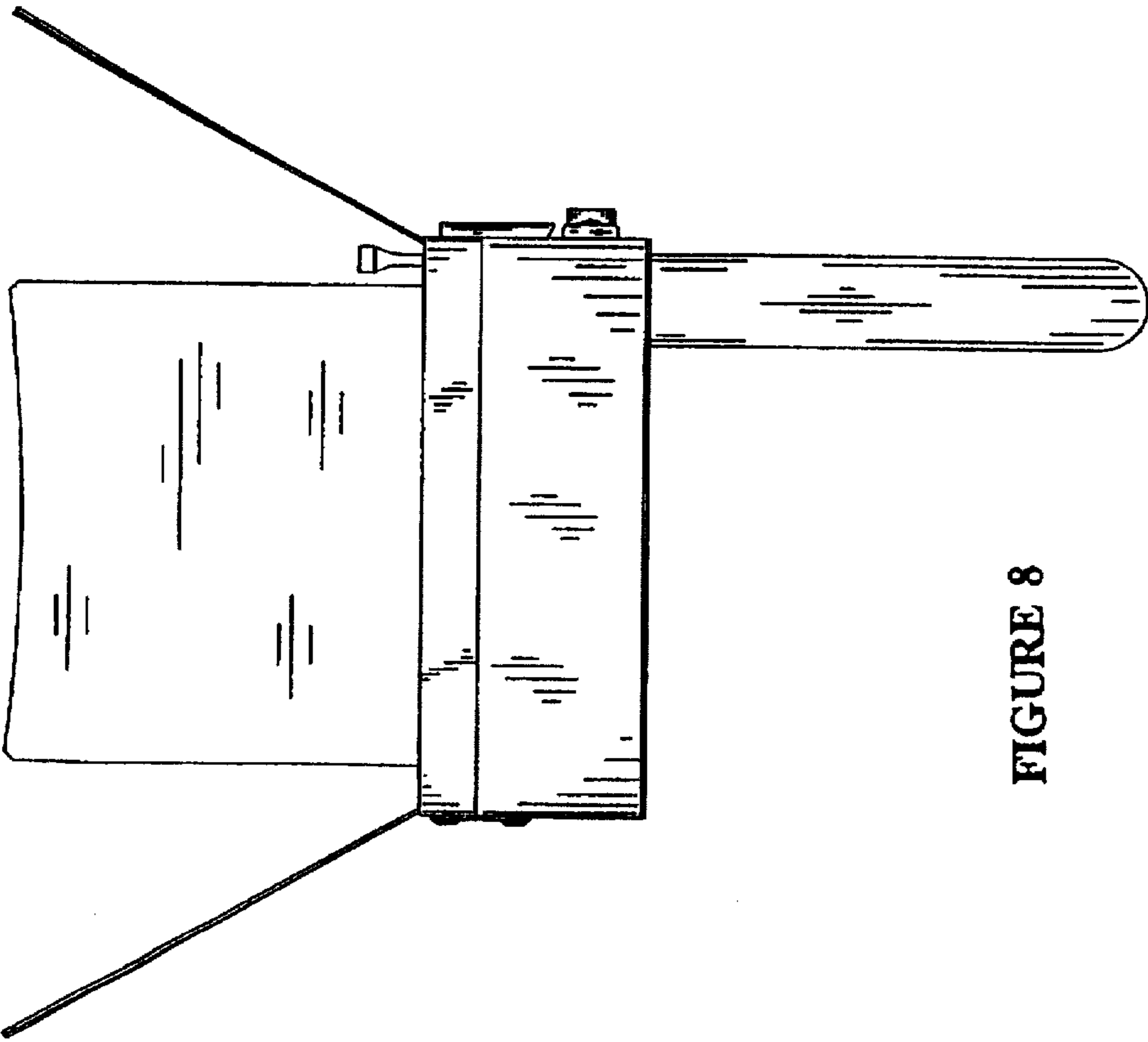


FIGURE 8

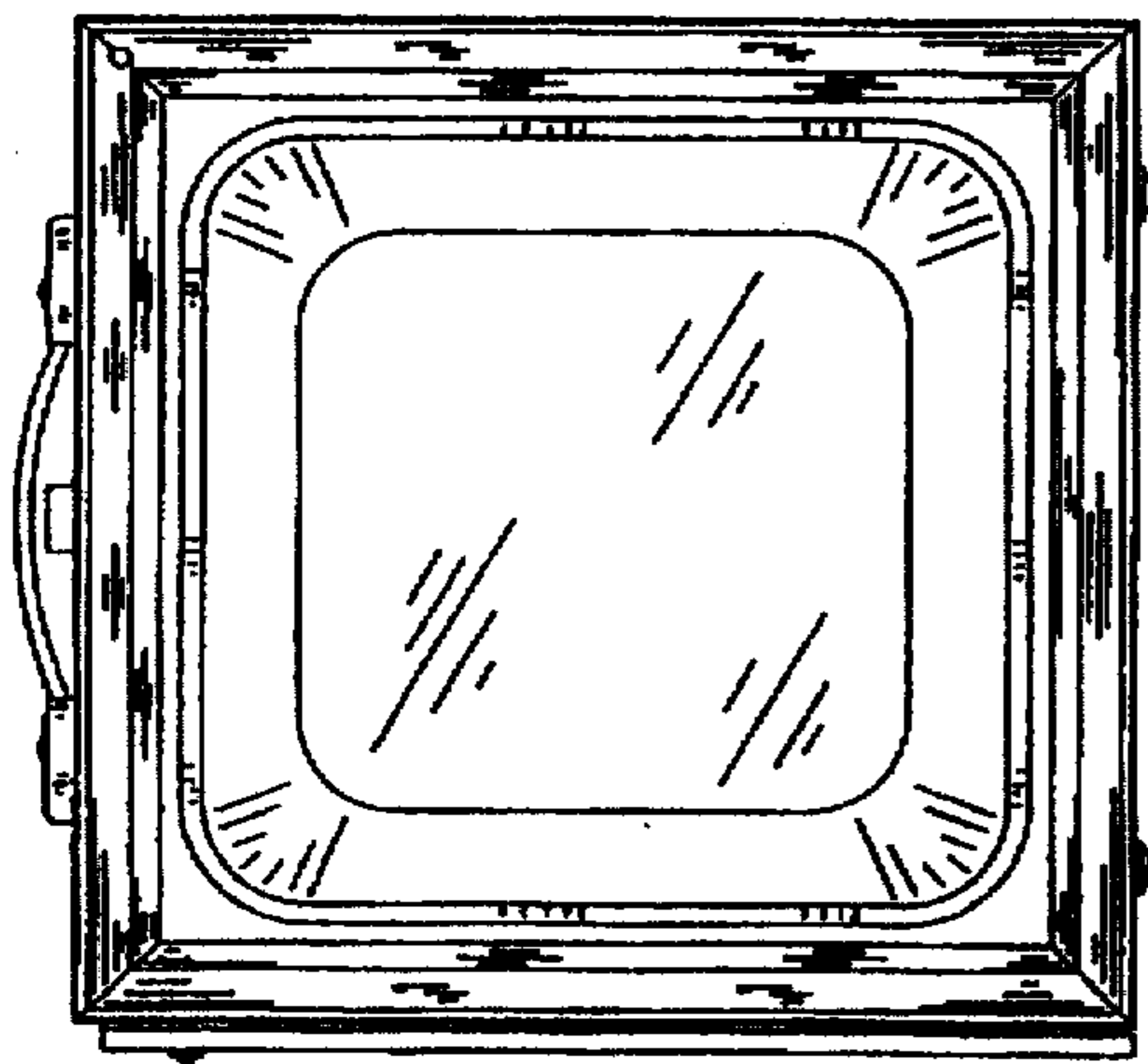


FIGURE 9

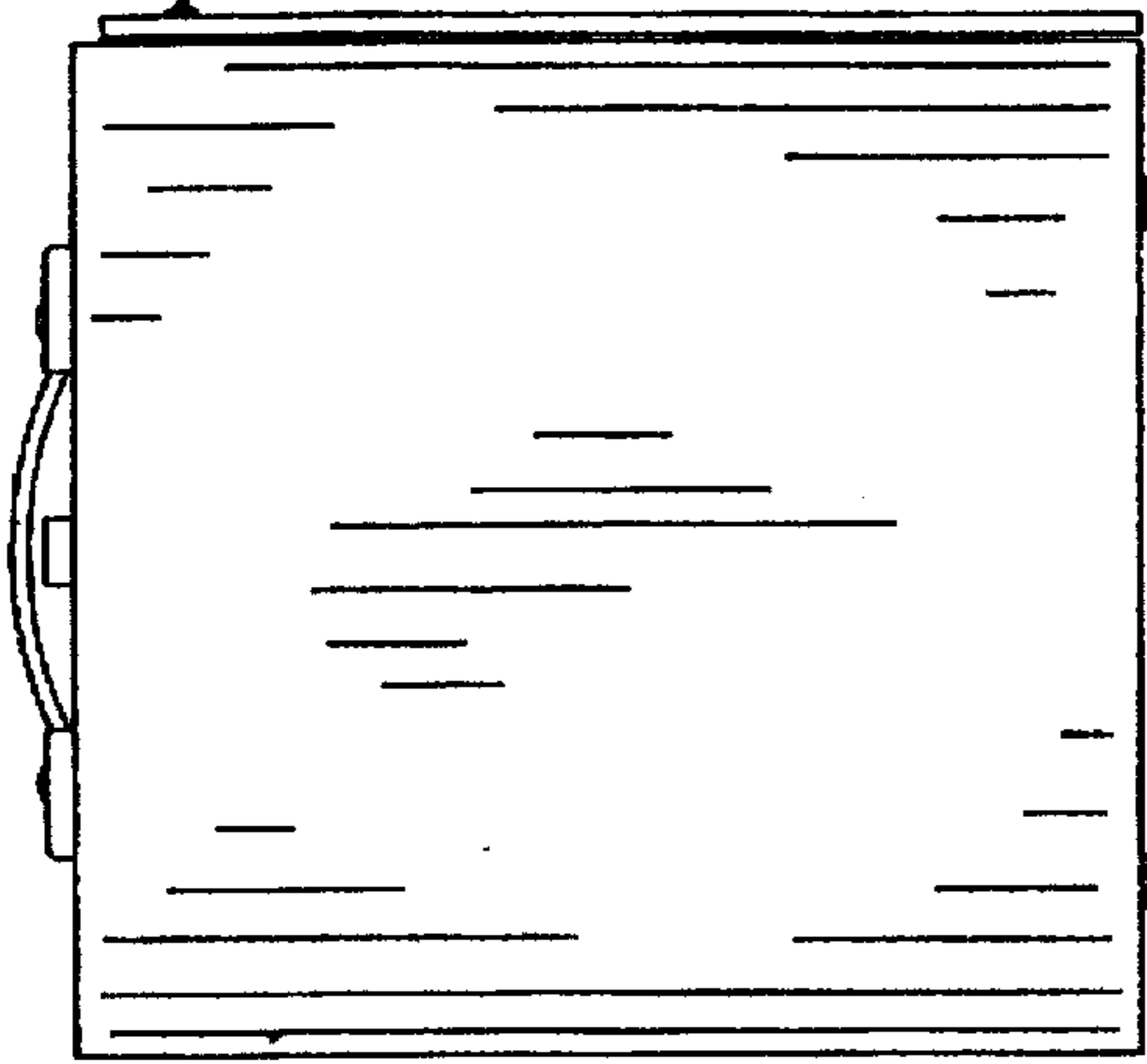


FIGURE 10

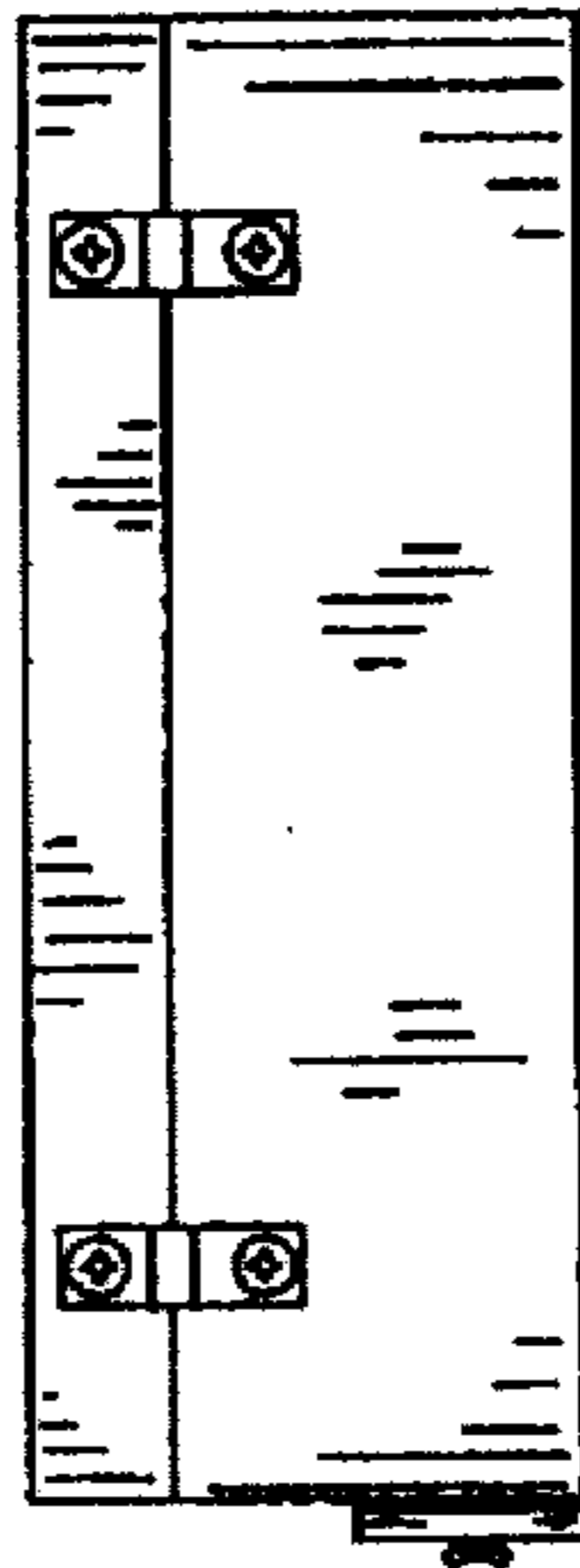


FIGURE 11

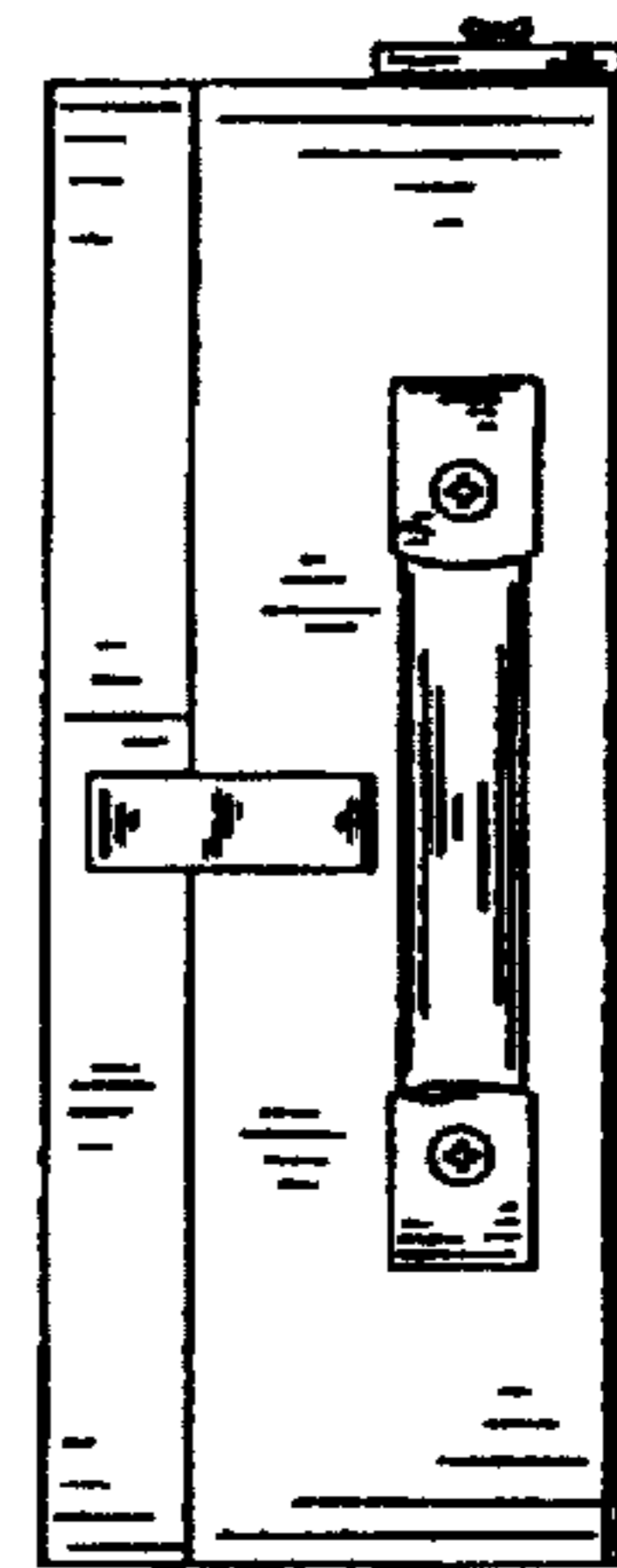


FIGURE 12



FIGURE 13

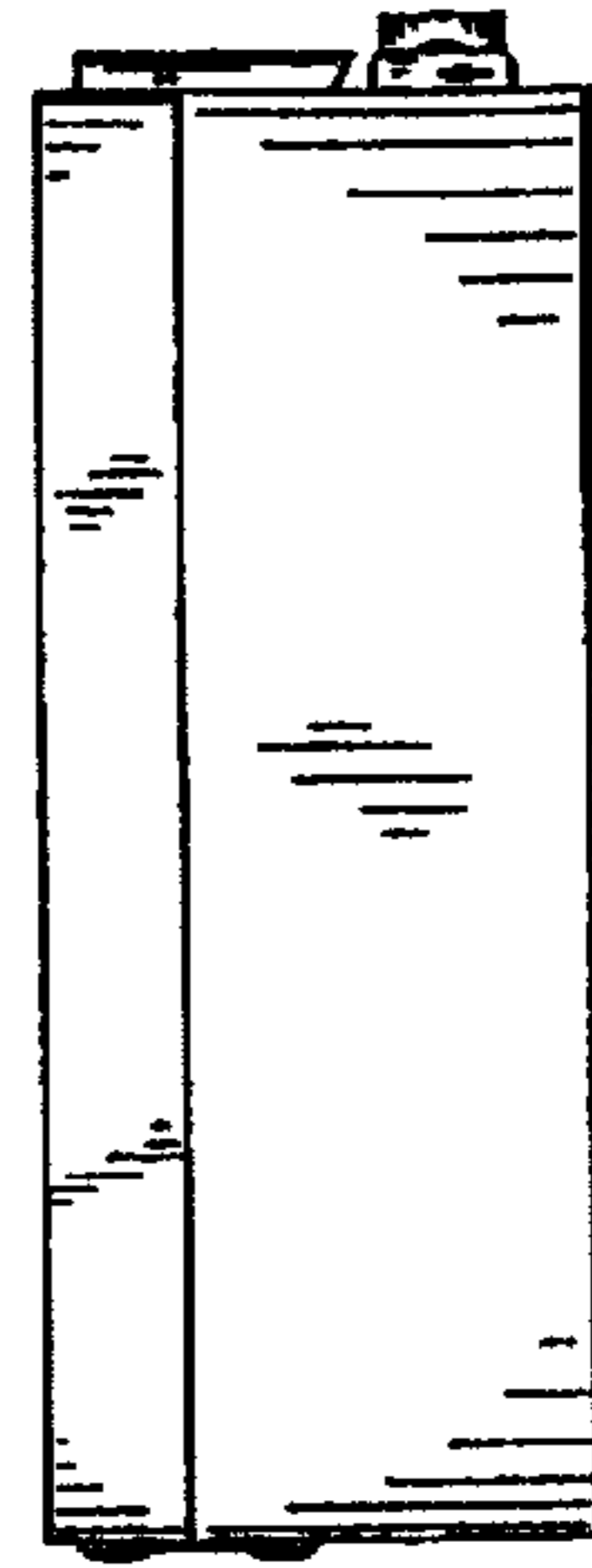


FIGURE 14