



US00D387237S

# United States Patent [19]

Benbow et al.

[11] Patent Number: **Des. 387,237**

[45] Date of Patent: **\*\*Dec. 9, 1997**

[54] **JUGS**

[75] Inventors: **Michael Benbow, Loughton; Gary Dettmar, Braintree, both of England**

[73] Assignee: **Thermos Limited, Brentwood, England**

[\*\*] Term: **14 Years**

[21] Appl. No.: **38,065**

[22] Filed: **Apr. 27, 1995**

### Related U.S. Application Data

[62] Division of Ser. No. 17,342, Jan. 11, 1994.

### [30] Foreign Application Priority Data

|               |      |                |       |         |
|---------------|------|----------------|-------|---------|
| Jul. 12, 1993 | [GB] | United Kingdom | ..... | 2032286 |
| Jul. 12, 1993 | [GB] | United Kingdom | ..... | 2032287 |
| Jul. 12, 1993 | [GB] | United Kingdom | ..... | 2032288 |
| Jul. 12, 1993 | [GB] | United Kingdom | ..... | 2032313 |

[51] **LOC (6) CL.** ..... **07-01**

[52] **U.S. Cl.** ..... **D7/319; D7/318**

[58] **Field of Search** ..... **D7/300, 312, 316, D7/317, 318, 319, 321, 322, 608; D23/209; 222/465.1, 475.1; 366/314, 205**

### [56] References Cited

#### U.S. PATENT DOCUMENTS

|            |         |            |       |          |
|------------|---------|------------|-------|----------|
| D. 276,584 | 12/1984 | Zimmermann | ..... | D7/317   |
| D. 281,386 | 11/1985 | Zimmermann | ..... | D7/319   |
| D. 281,479 | 11/1985 | Zimmermann | ..... | D7/317   |
| D. 281,567 | 12/1985 | Zimmermann | ..... | D7/319 X |
| D. 285,039 | 8/1986  | Zimmermann | ..... | D7/319   |
| D. 286,732 | 11/1986 | Darnell    | ..... | D7/319   |
| D. 300,708 | 4/1989  | Minuti     | ..... | D7/317   |

|            |         |         |       |          |
|------------|---------|---------|-------|----------|
| D. 302,093 | 7/1989  | Palsby  | ..... | D7/319 X |
| D. 308,458 | 6/1990  | Stutzer | ..... | D7/317   |
| D. 311,475 | 10/1990 | Durand  | ..... | D7/317   |
| D. 346,301 | 4/1994  | Morgan  | ..... | D7/317   |

### OTHER PUBLICATIONS

Pitcher (Second To Right) Housewares Mar. 27, 1985 p. 50.  
Front Pitcher (Center), Supplement to HFD Sec. 1 p. 2 Nov. 15, 1982.

Primary Examiner—M. N. Pandozzi

### [57] CLAIM

The ornamental design for jugs, as shown and described.

### DESCRIPTION

FIG. 1 is a top plan view of an embodiment of the jug; FIG. 2 is a bottom plan view of the jug shown in FIG. 1; FIG. 3 is a side elevational view of the jug shown in FIGS. 1 and 2;

The other side view of the jug corresponds to FIG. 8; FIG. 4 is an end elevational view of the jug shown in FIGS. 1—3; and,

FIG. 5 is an opposite end elevational view of the jug shown in FIGS. 1—4;

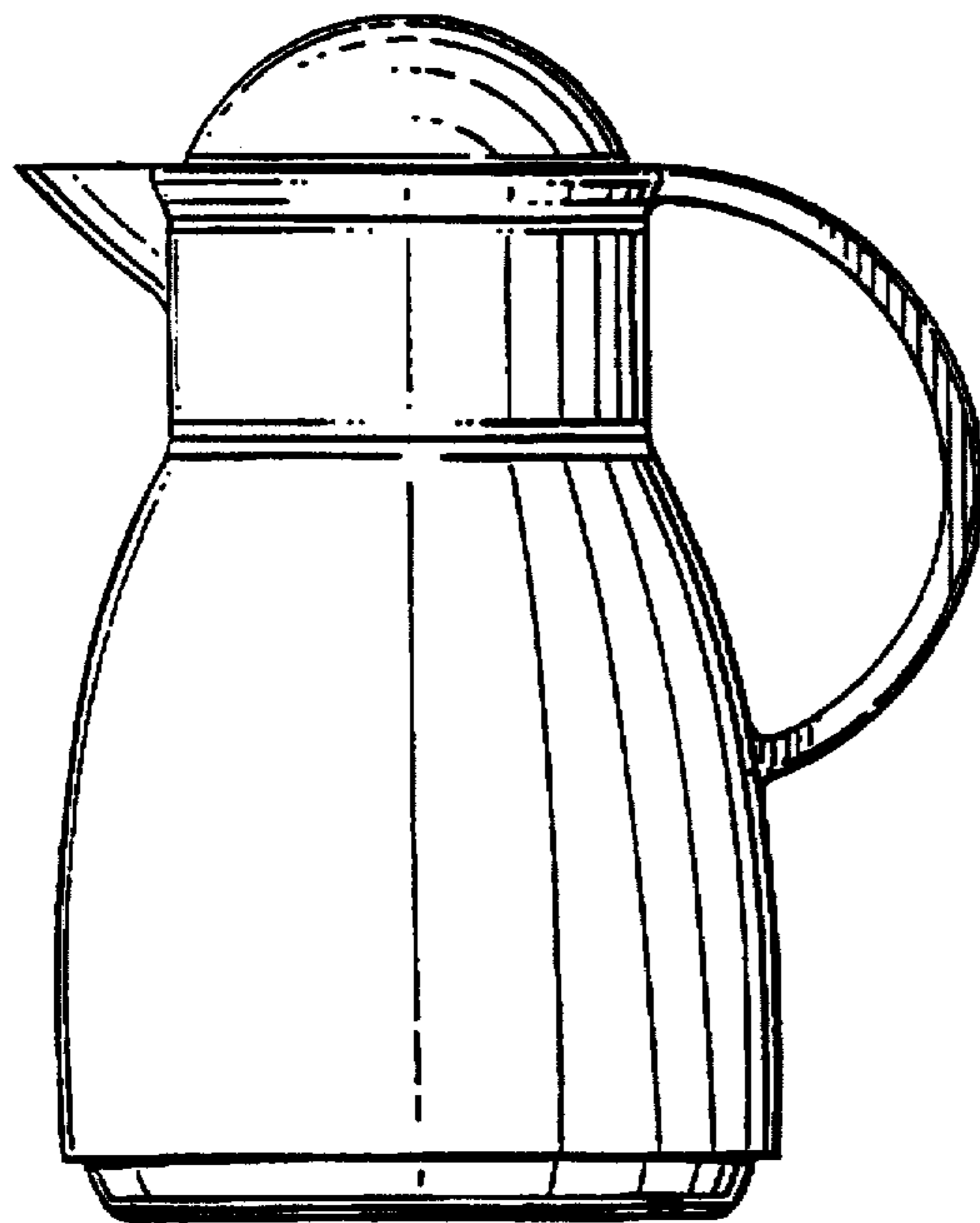
FIG. 6 is a top plan view of an alternate embodiment of a jug;

FIG. 7 is a bottom plan view of the jug shown in FIG. 6; FIG. 8 is a side elevational view of the jug shown in FIGS. 6 and 7;

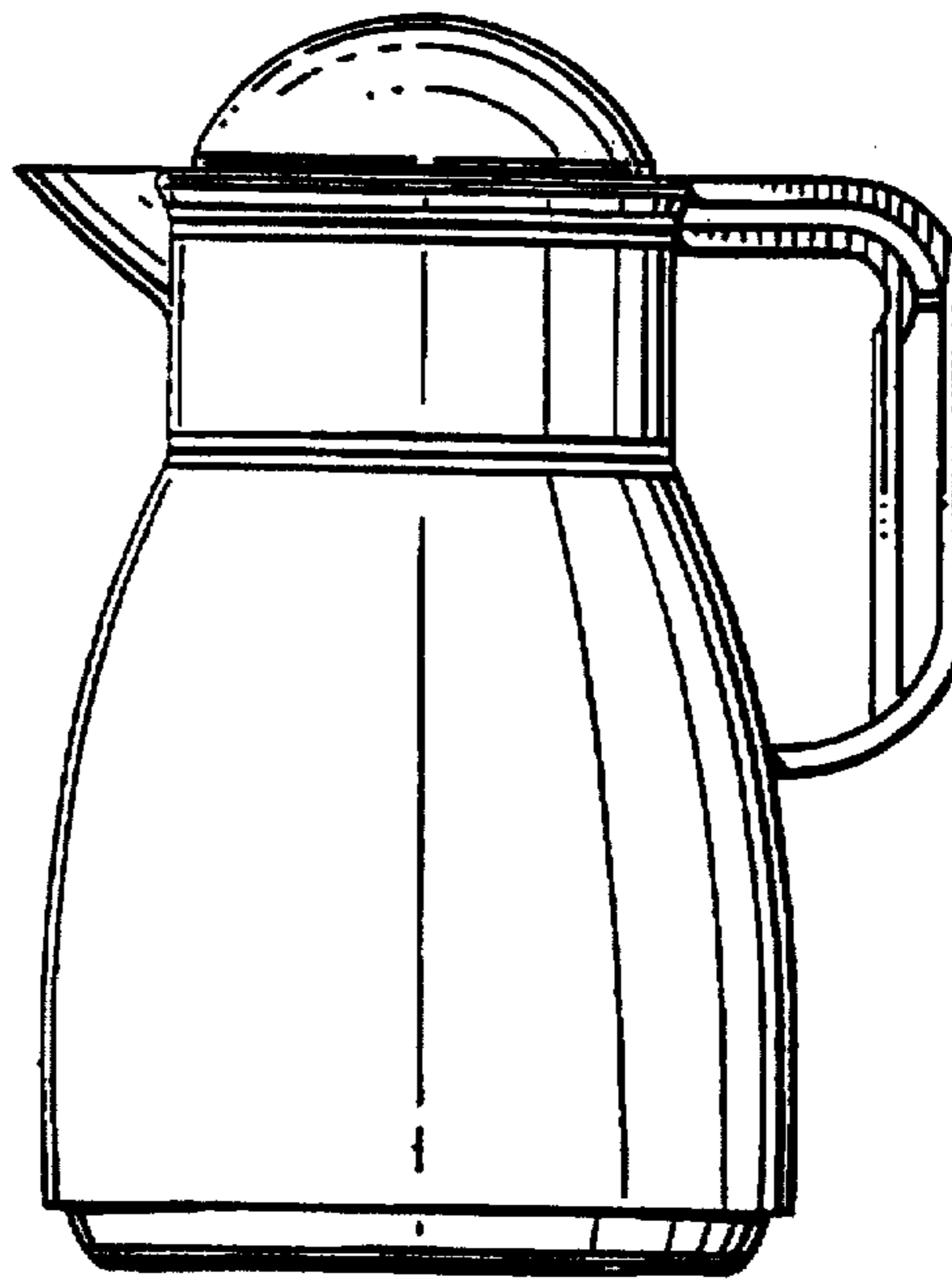
The other side view of the jug corresponds to FIG. 8; FIG. 9 is an end elevational view of the jug shown in FIGS. 6—8; and,

FIG. 10 is an opposite end elevational view of the jug shown in FIGS. 6—9.

1 Claim, 8 Drawing Sheets



**SIDE VIEW**  
(OTHER SIDE CORRESPONDS)



**SIDE VIEW**  
(OTHER SIDE CORRESPONDS)

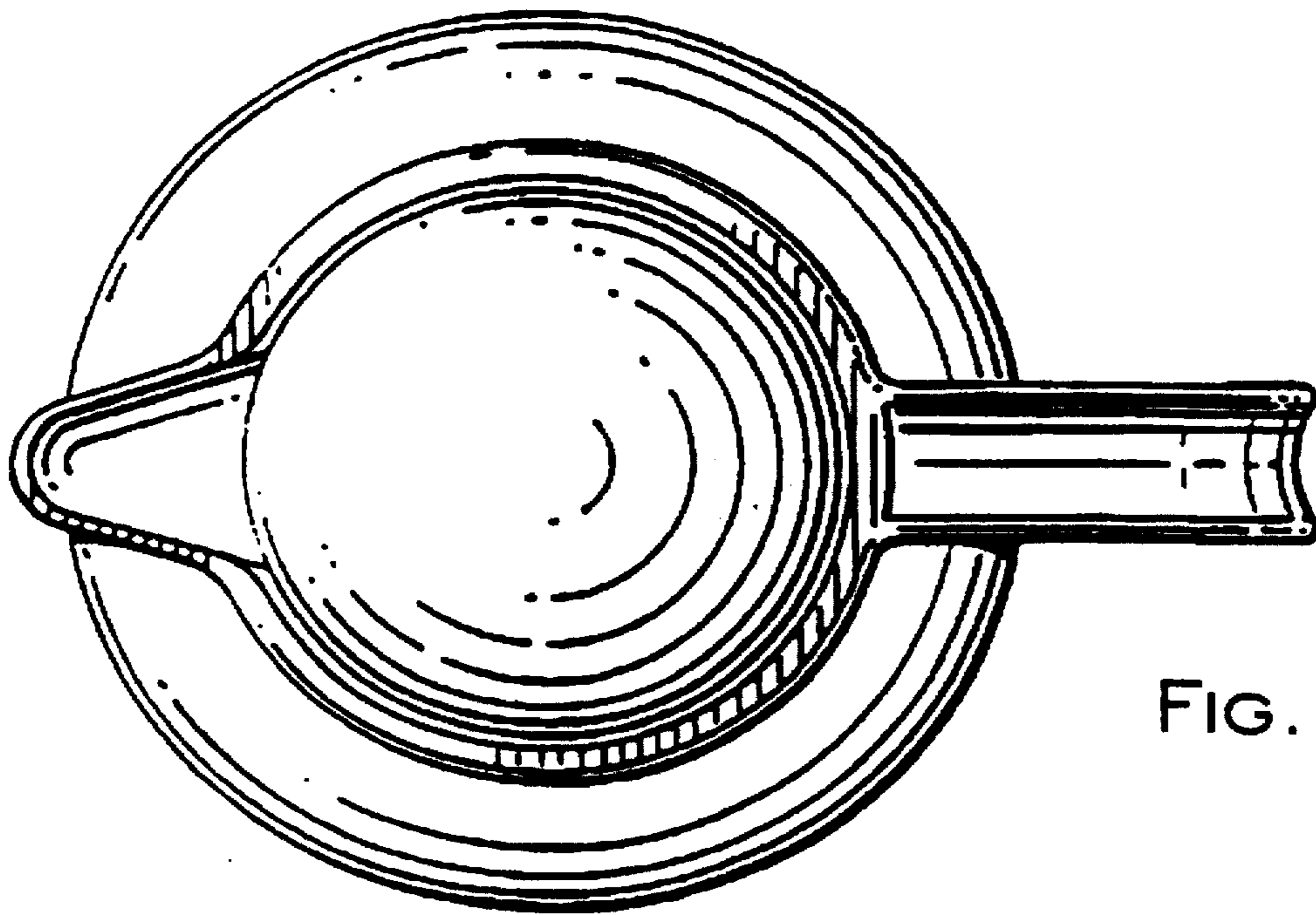


FIG. 1

PLAN VIEW

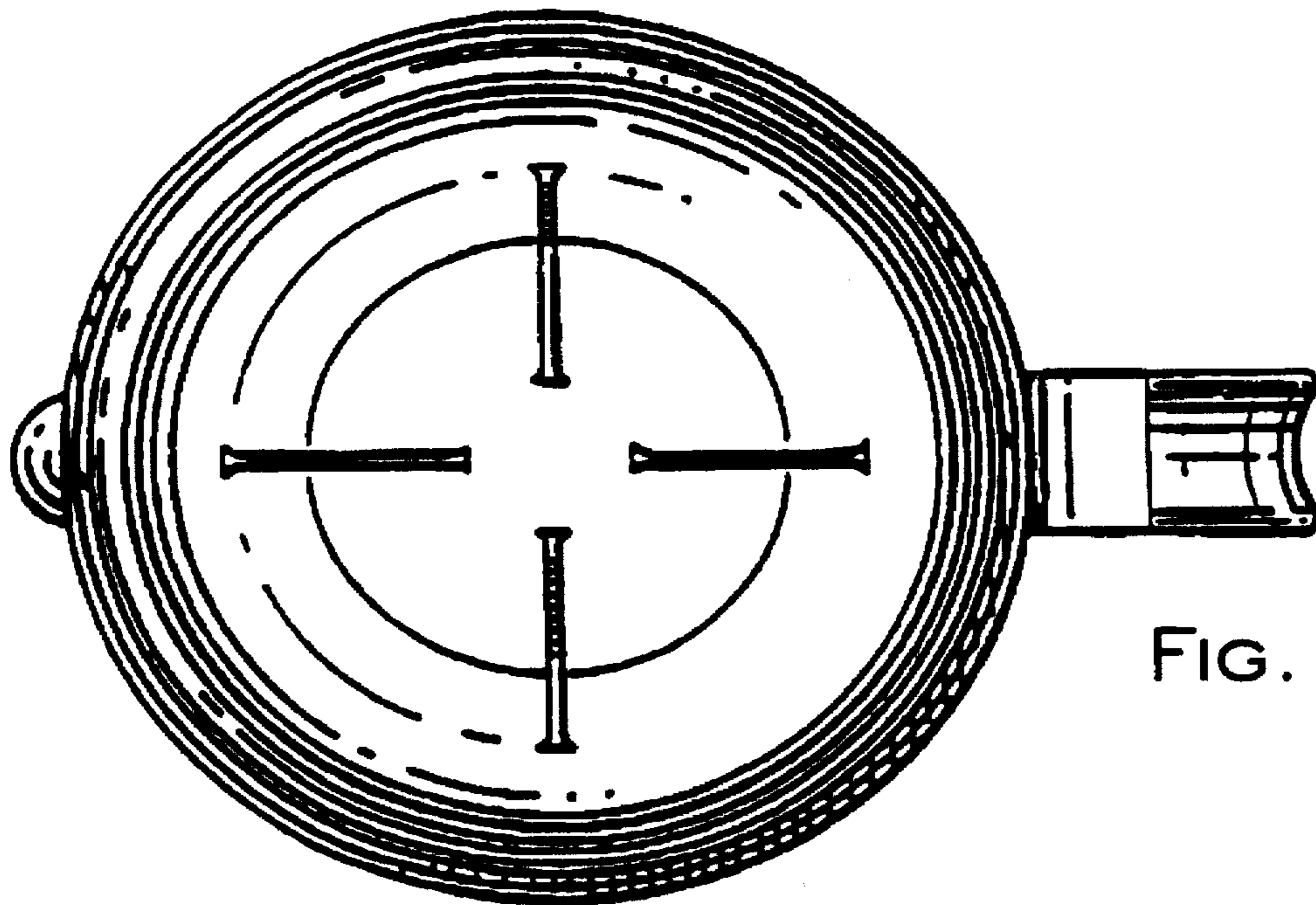
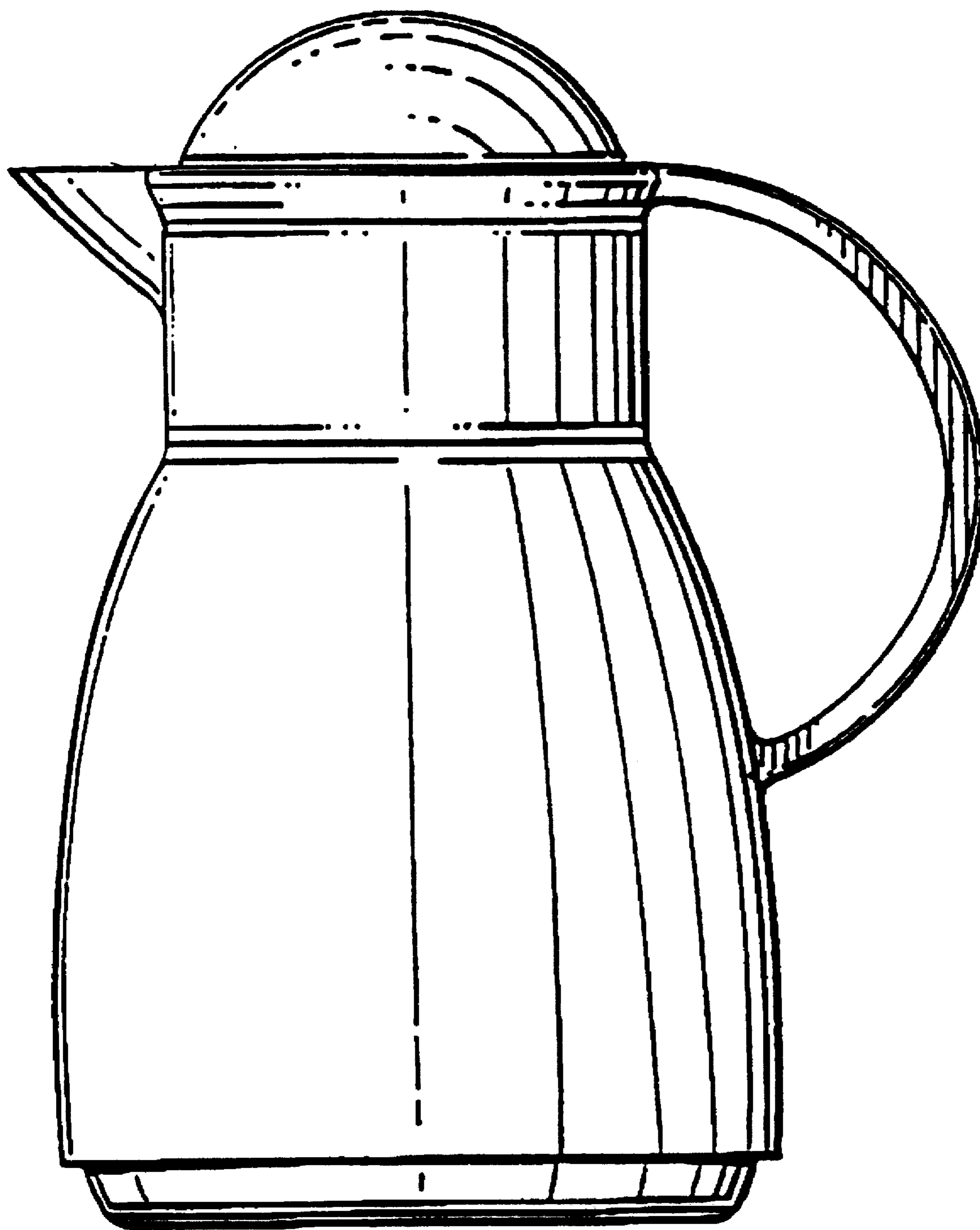


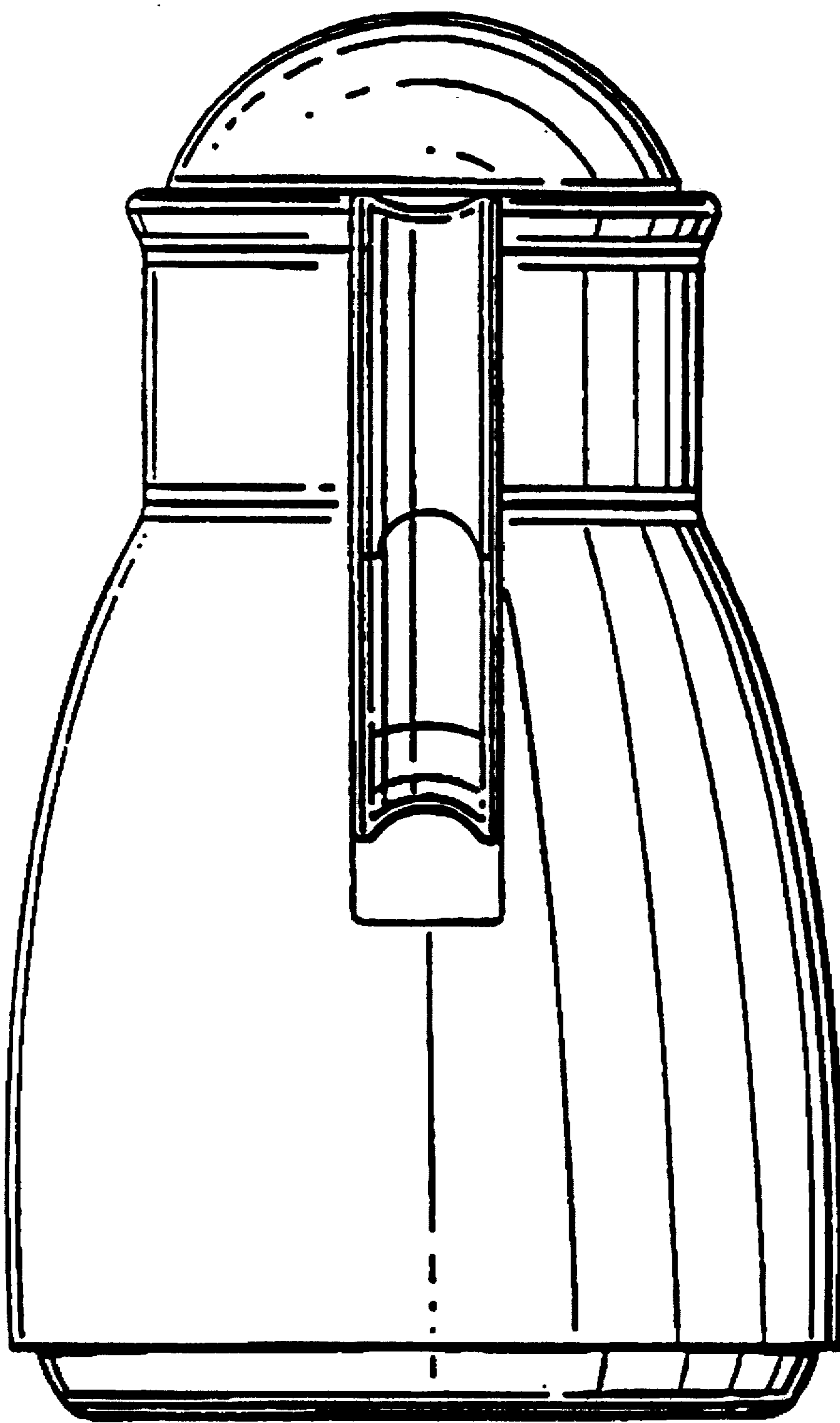
FIG. 2

UNDERNEATH PLAN



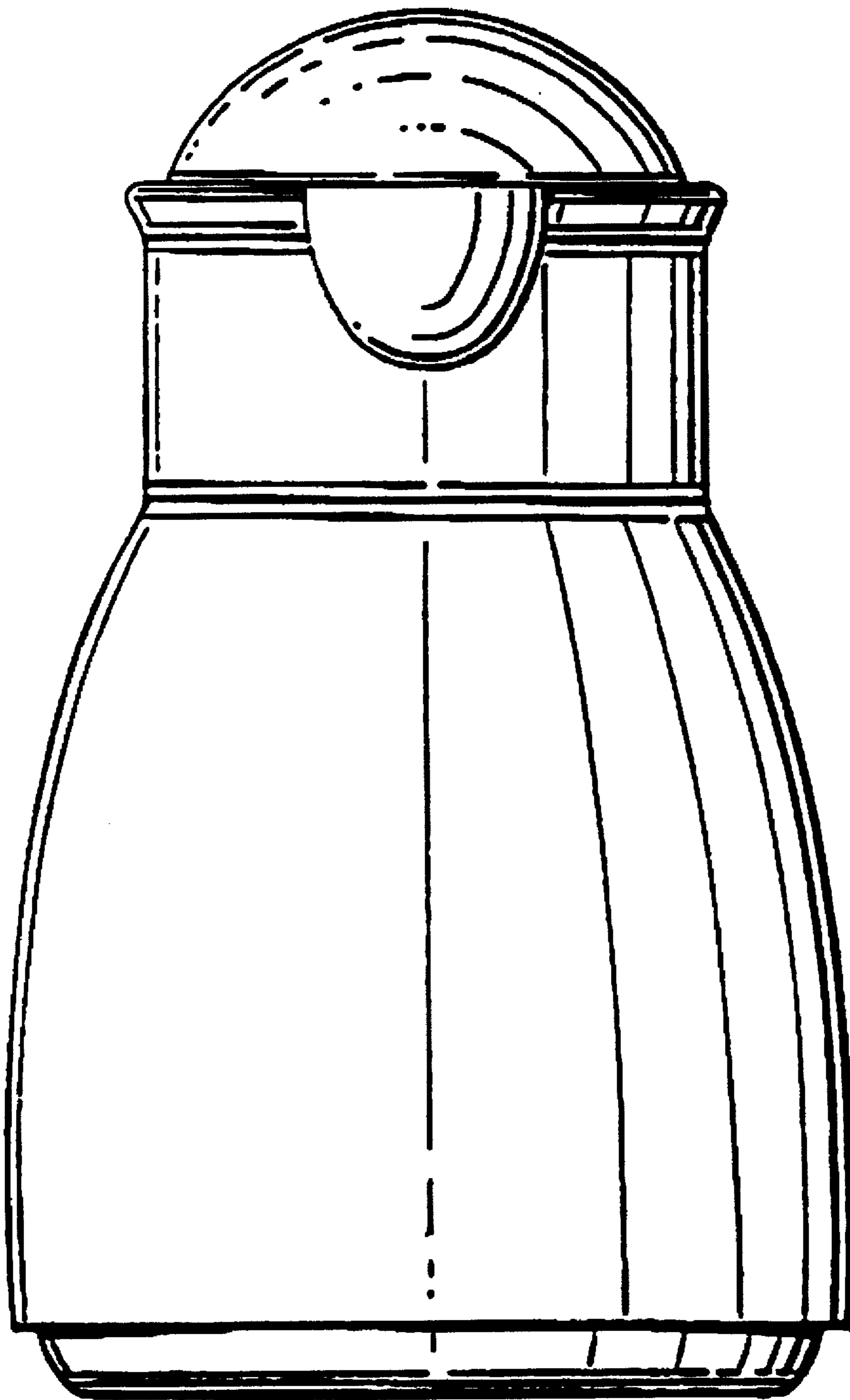
SIDE VIEW  
(OTHER SIDE CORRESPONDS)

FIG. 3



END VIEW

FIG. 4



OTHER END VIEW

FIG. 5

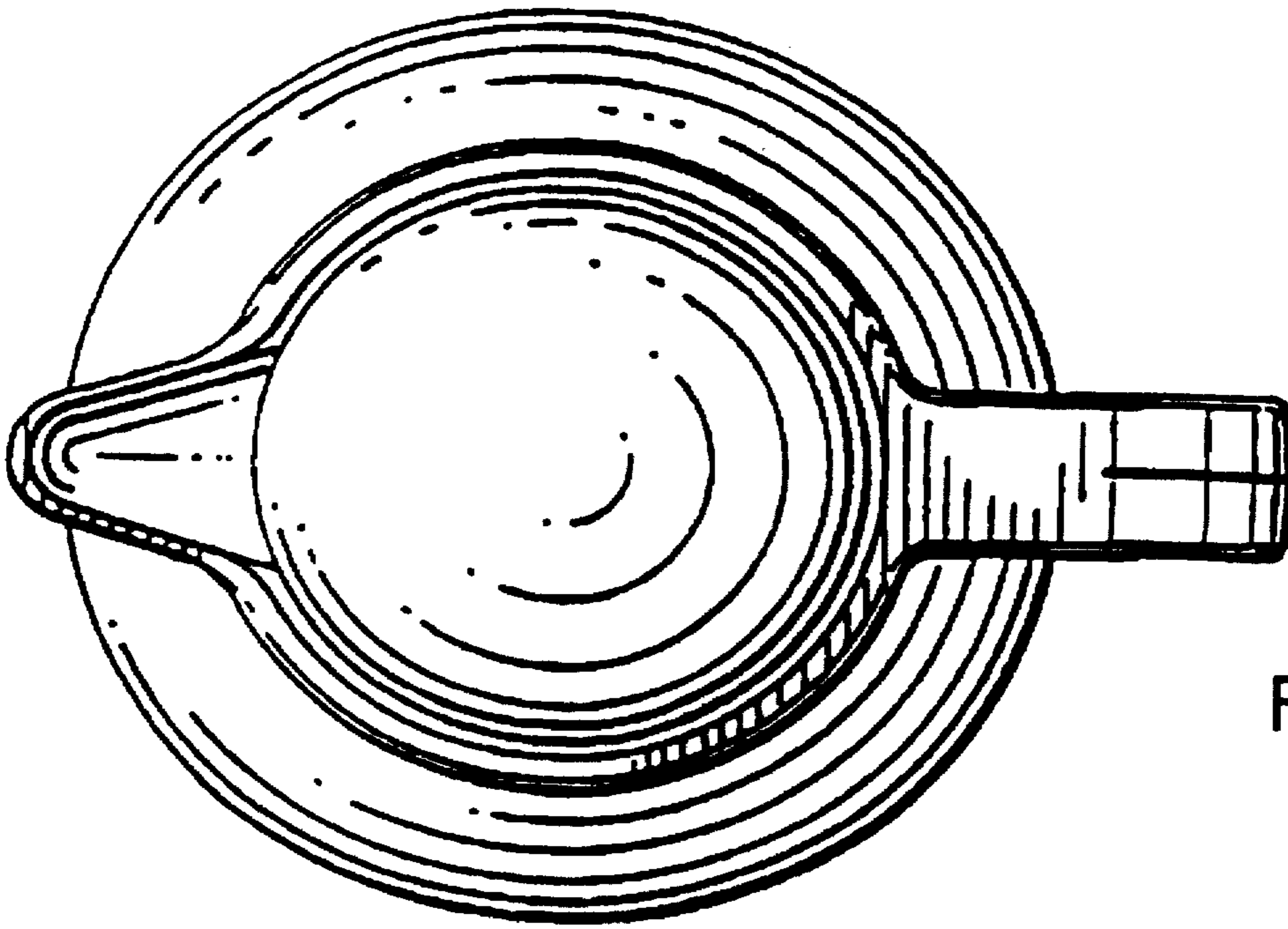


FIG. 6

PLAN VIEW

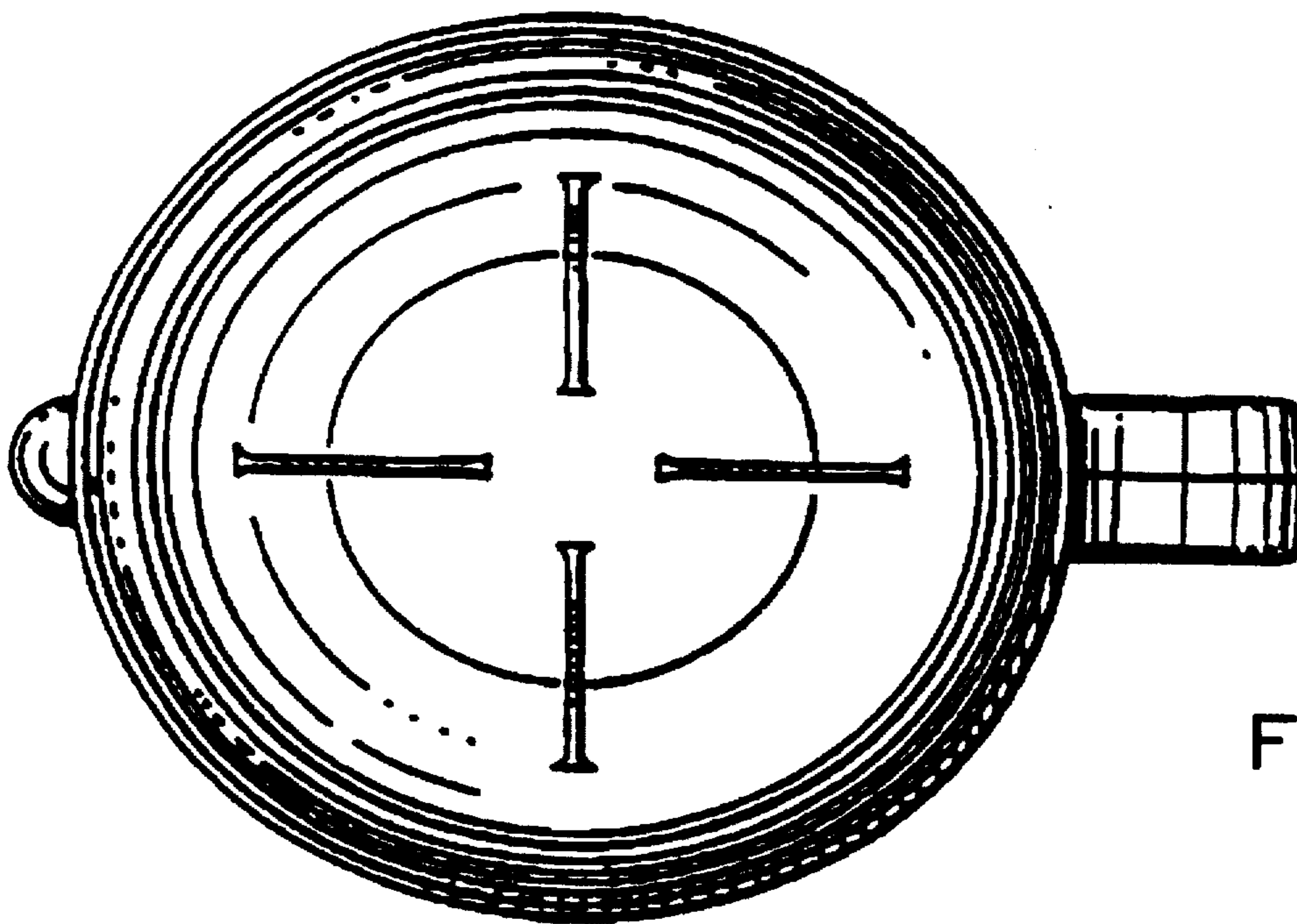
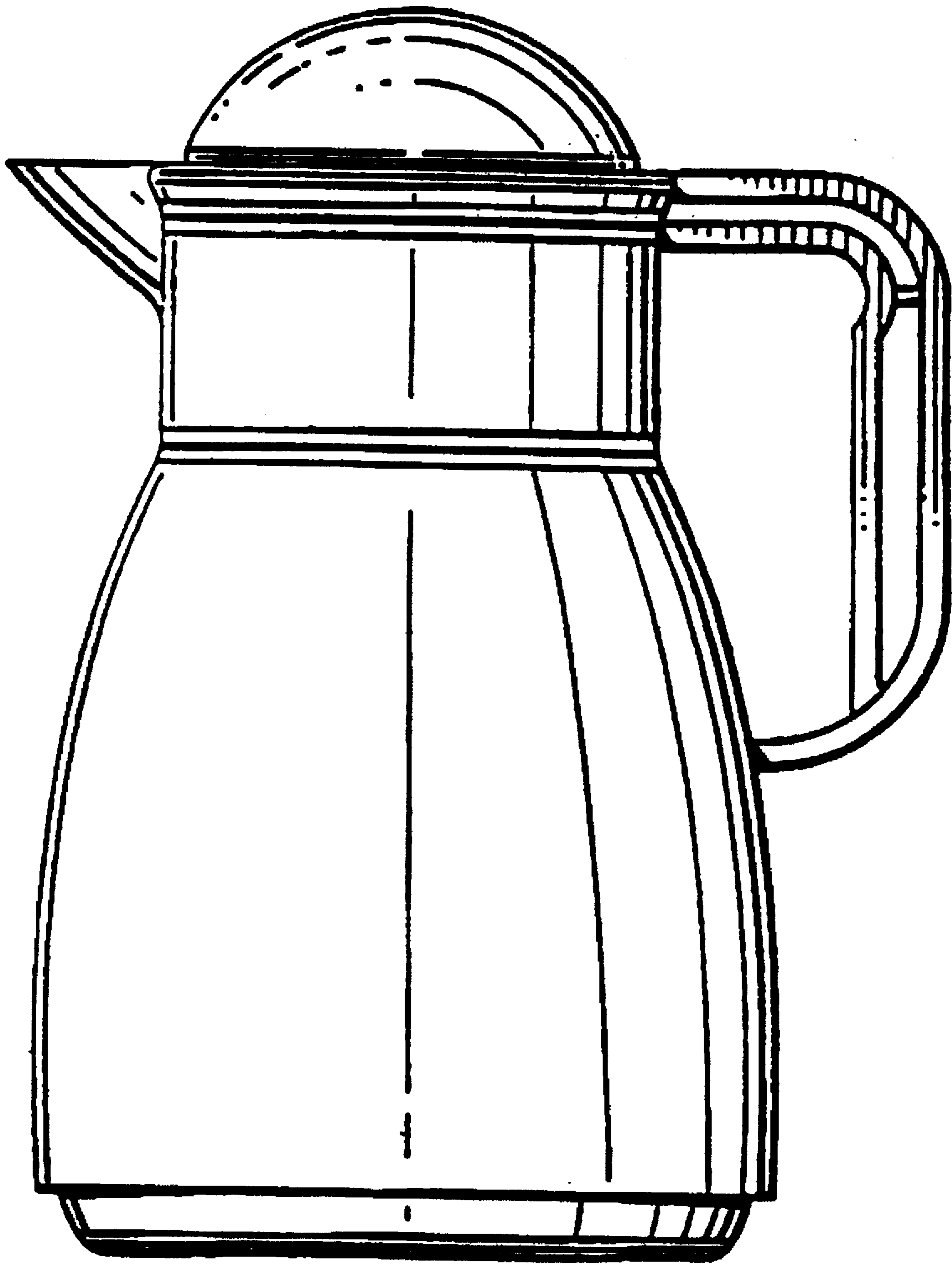


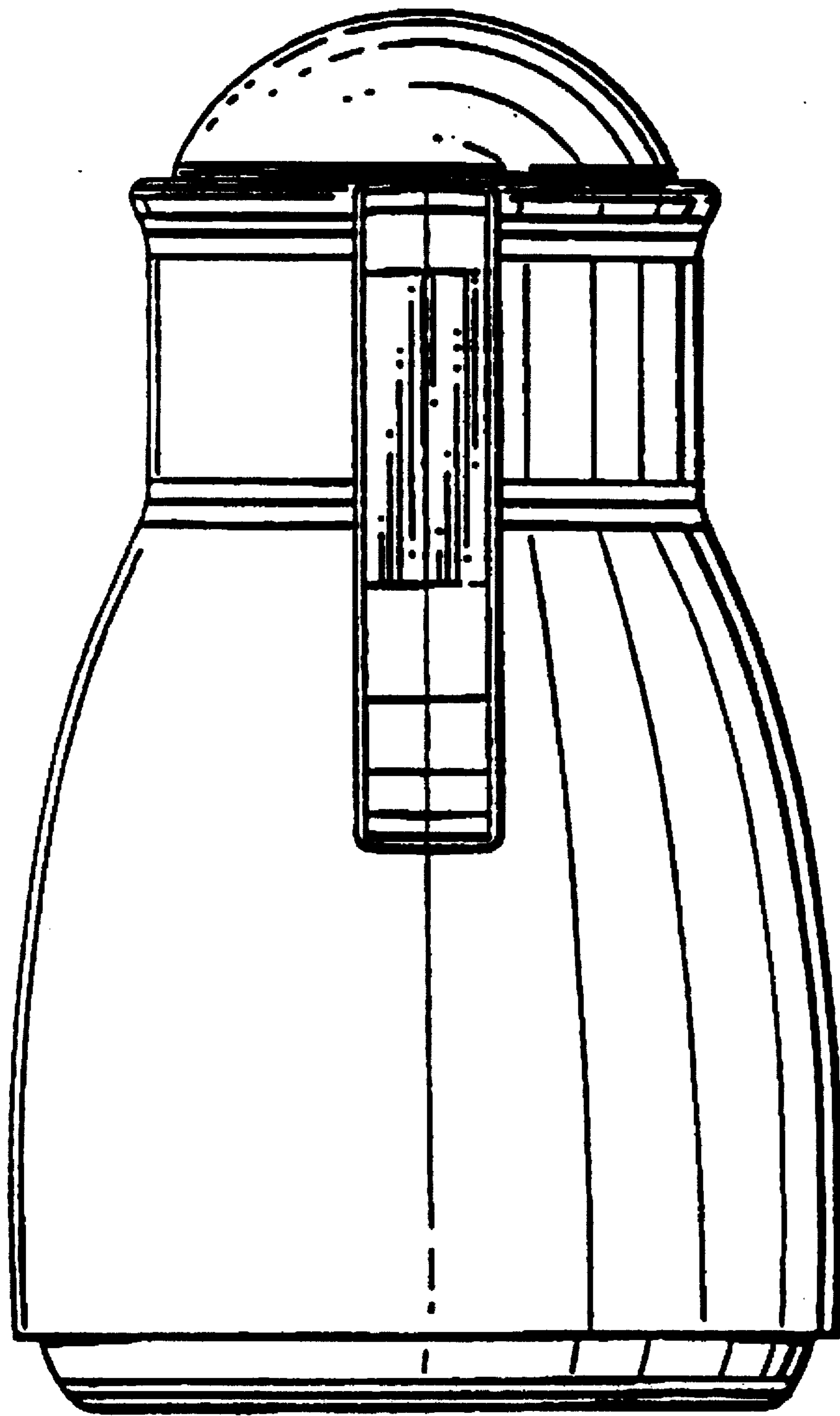
FIG. 7

UNDERNEATH PLAN



SIDE VIEW  
(OTHER SIDE CORRESPONDS)

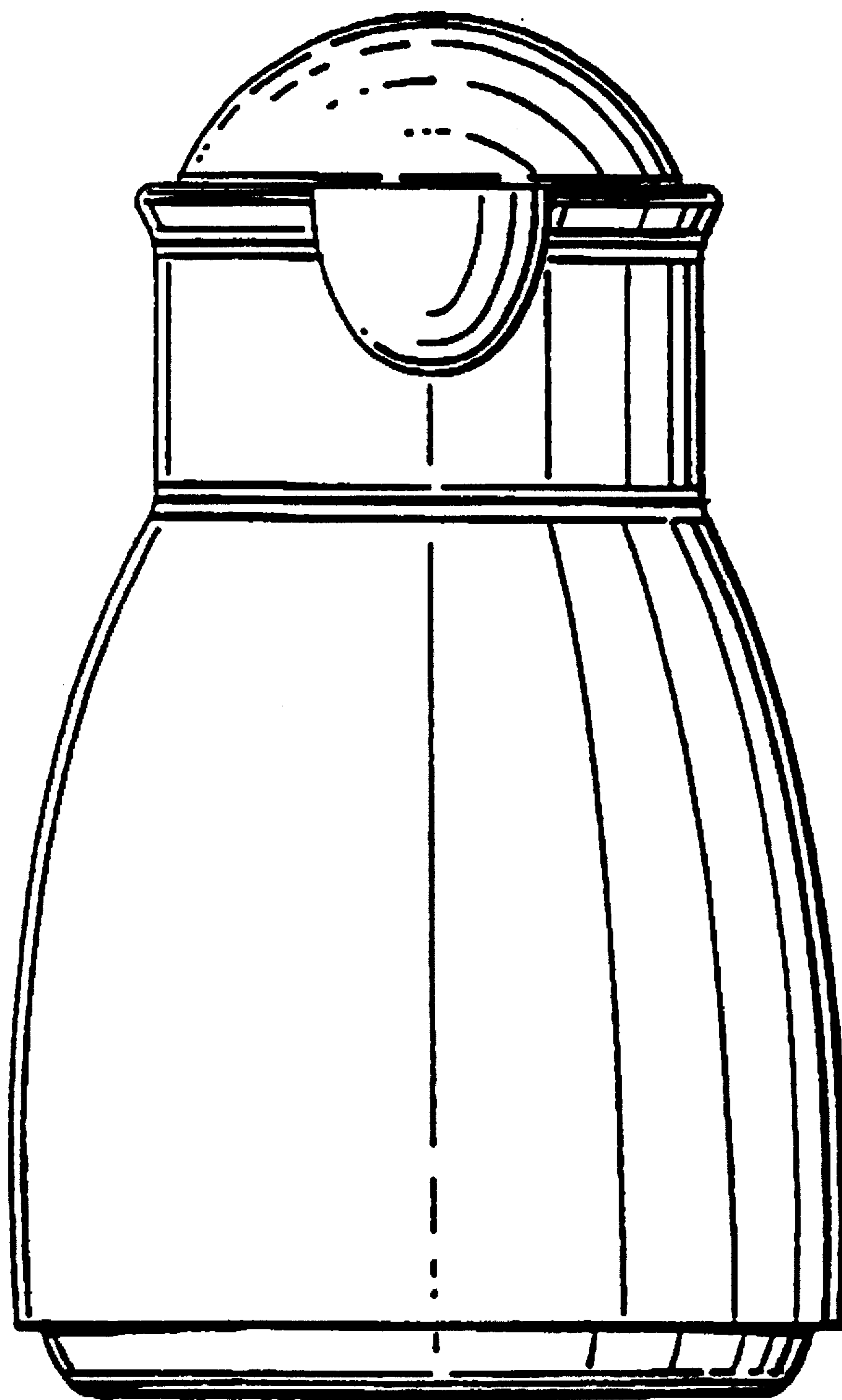
FIG. 8



END VIEW

FIG. 9





OTHER END VIEW

FIG. 10

UNITED STATES PATENT AND TRADEMARK OFFICE  
CERTIFICATE OF CORRECTION

PATENT NO : Des. 387,237

DATED : December 9, 1997

INVENTOR(S): Michael Benbow and Gary Dettmar

It is certified that error appears in the above-identified patent and that said Letters Patent is hereby corrected as shown below:

On the title page,

In the Description, line 5, replace "8" with "3".

Signed and Sealed this  
Fourteenth Day of July, 1998



*Attest:*

BRUCE LEHMAN

*Attesting Officer*

*Commissioner of Patents and Trademarks*