



US00D387232S

# United States Patent [19]

Lloyd-Morris

[11] Patent Number: Des. 387,232

[45] Date of Patent: \*\*Dec. 9, 1997

## [54] MAGNETIC UTENSIL HOLDER

[75] Inventor: Michael Alan Lloyd-Morris,  
Burton-on-Trent, United Kingdom

[73] Assignee: Bisbell Magnetic Products Ltd.,  
England

[\*\*] Term: 14 Years

[21] Appl. No.: 53,883

[22] Filed: May 1, 1996

### [30] Foreign Application Priority Data

Nov. 28, 1995 [GB] United Kingdom ..... 2052288

[51] LOC (6) Cl. .... 06-02

[52] U.S. Cl. .... D6/553

[58] Field of Search ..... D7/637-641; D6/553,  
D6/567, 527; 206/77.1, 352, 818; 211/60.1,  
70.6, 70.7, 87, 89, DIG. 1; 221/89; 248/37.3

### [56] References Cited

#### U.S. PATENT DOCUMENTS

D. 190,741 6/1961 Cronheim ..... 211/DIG. 1 X

D. 253,144	10/1979	Heckler	.....	D6/527
D. 253,150	10/1979	Heckler	.....	D6/527
D. 327,387	6/1992	Hofer	.....	D6/553
D. 372,390	8/1996	Lloyd-Morris et al.	.....	D6/553
2,697,804	12/1954	Phelon	.....	211/DIG. 1 X
3,842,980	10/1974	Kushner	.....	211/DIG. 1 X
4,497,412	2/1985	LaBelle	.....	221/89 X

Primary Examiner—Sandra L. Morris  
Attorney, Agent, or Firm—Saidman Design Law Group

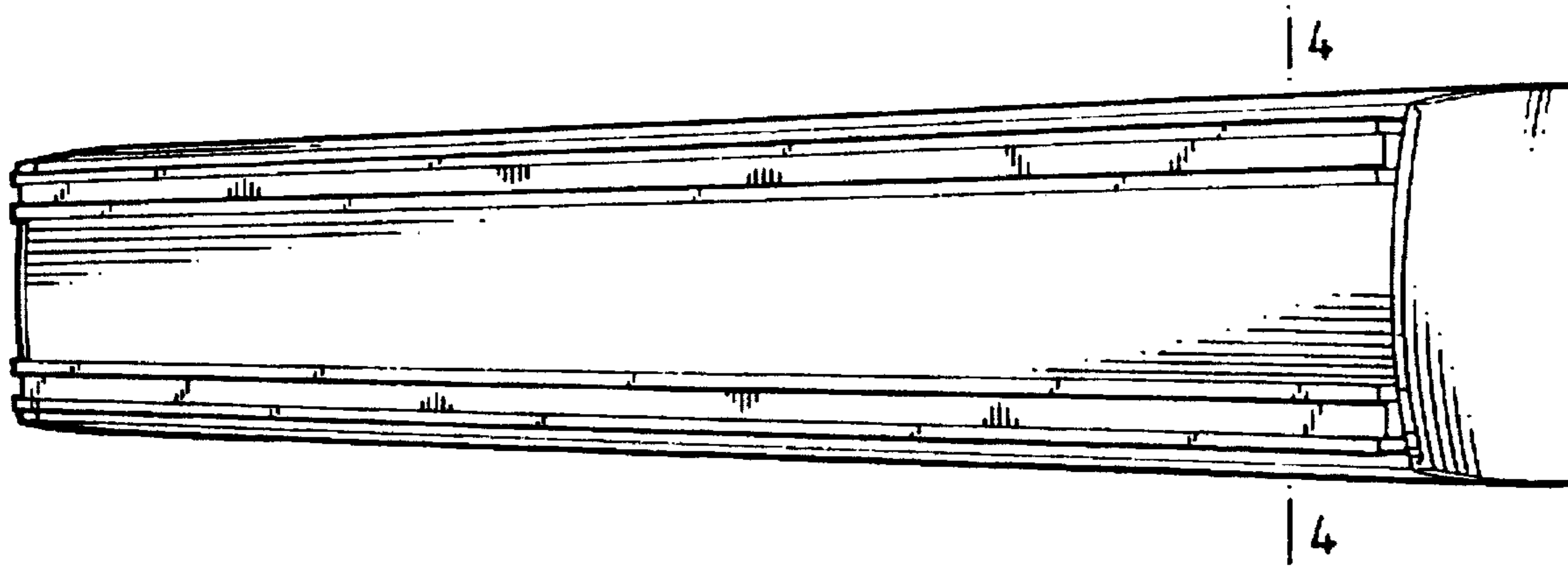
### [57] CLAIM

The ornamental design for a magnetic utensil holder, as shown and described.

### DESCRIPTION

FIG. 1 is a top, front, and right side perspective view of a magnetic utensil holder showing my new design;  
FIG. 2 is a rear elevational view thereof;  
FIG. 3 is a left side elevational view thereof; and,  
FIG. 4 is an enlarged vertical cross-sectional view thereof, taken along line 4—4 of FIG. 1.

1 Claim, 1 Drawing Sheet



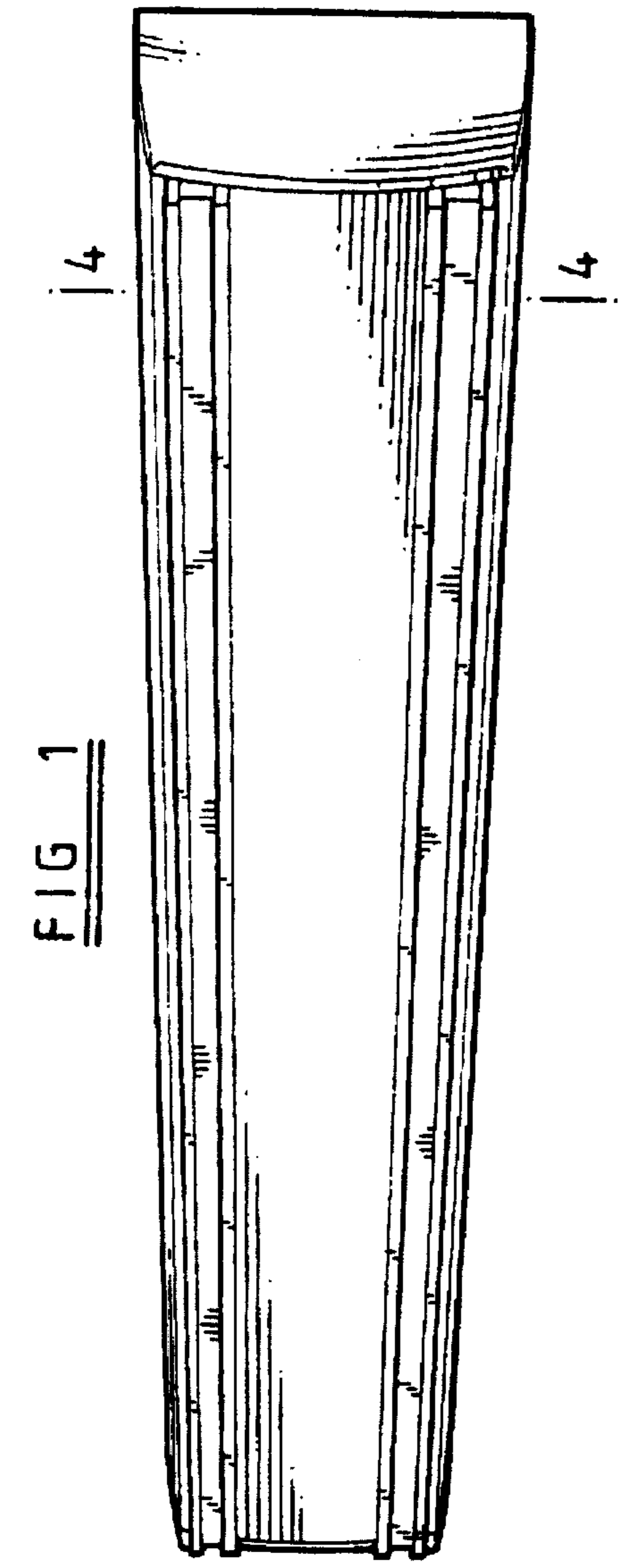


FIG 1

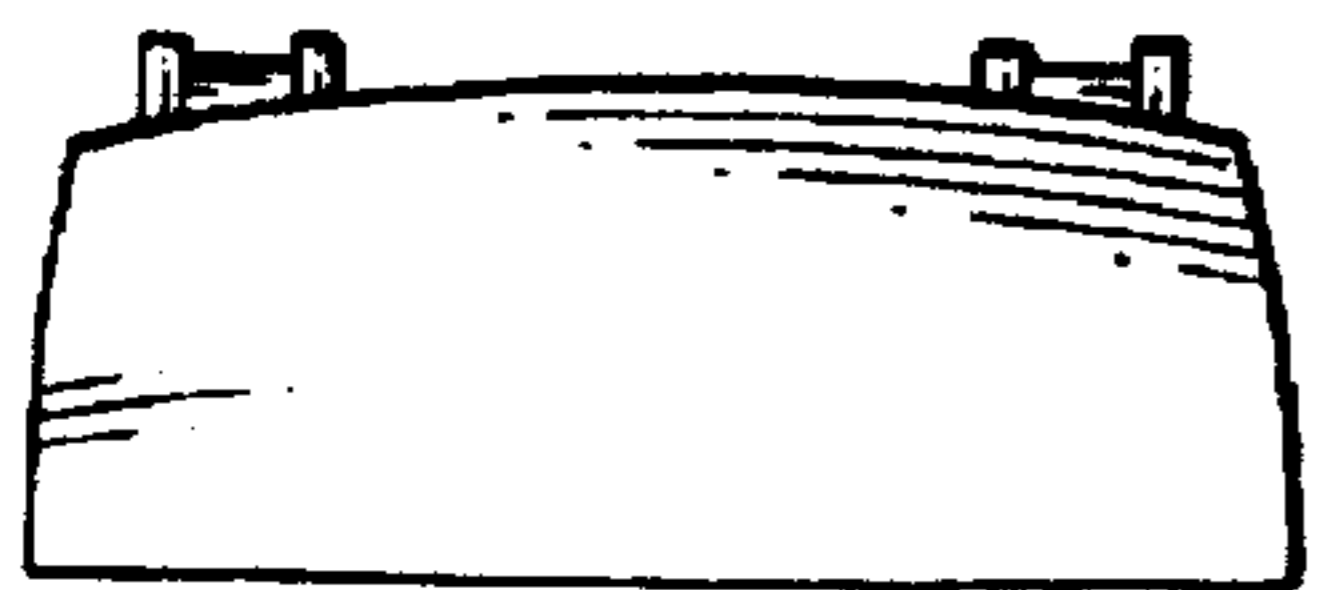


FIG 3

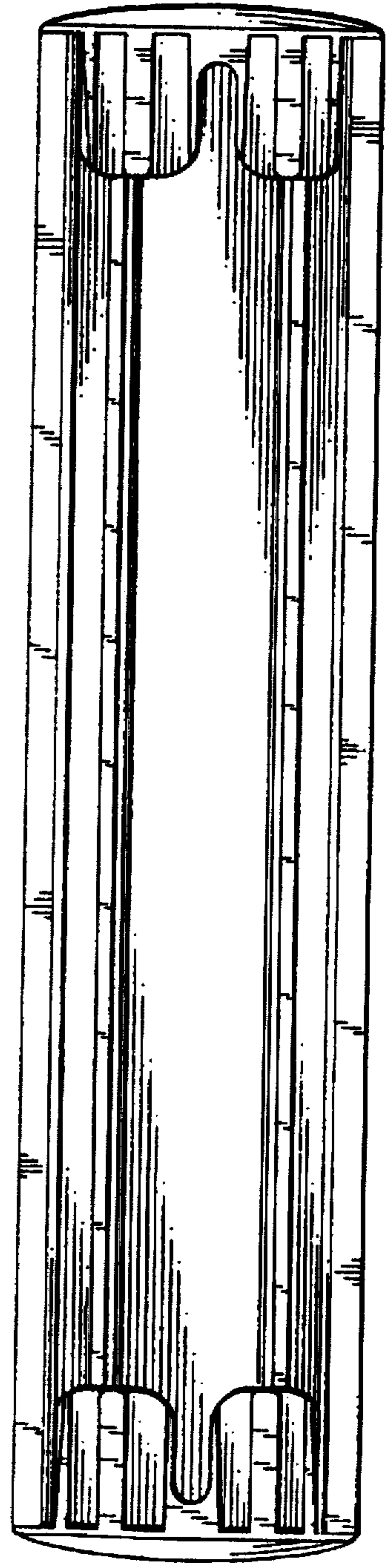


FIG 2

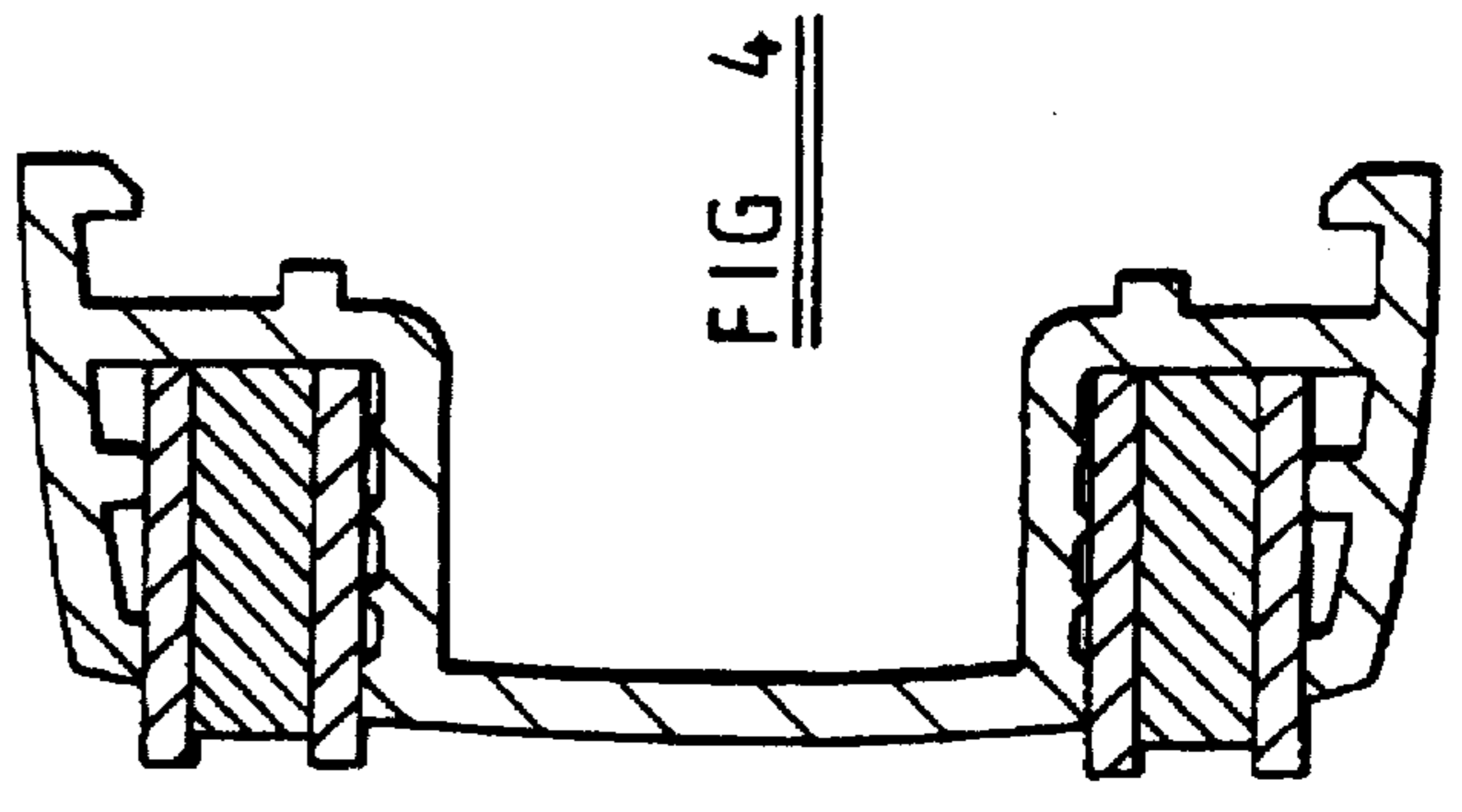


FIG 4