



US00D387231S

United States Patent [19]

[11] Patent Number: **Des. 387,231**

Turcotte

[45] Date of Patent: ****Dec. 9, 1997**

[54] **SCUBA EQUIPMENT RACK**

D. 354,654 1/1995 Mallen D6/552
D. 364,063 11/1995 Zo D6/552
D. 374,363 10/1996 Punzo D6/552

[76] Inventor: **Jeffrey Turcotte**, 102 Fletcher St.,
Kennebunk, Me. 04043

Primary Examiner—Marcus A. Jackson
Attorney, Agent, or Firm—Harold H. Dutton, Jr.

[**] Term: **14 Years**

[57] **CLAIM**

[21] Appl. No.: **53,063**

The ornamental design for a scuba equipment rack, as shown and described.

[22] Filed: **Apr. 16, 1996**

DESCRIPTION

[51] LOC (6) Cl. **06-04**

[52] U.S. Cl. **D6/552**

[58] Field of Search D6/410, 411, 552;
D32/58, 59; 211/13, 30, 181, 195, 204-206;
248/127, 175, 176; D20/10, 41, 99

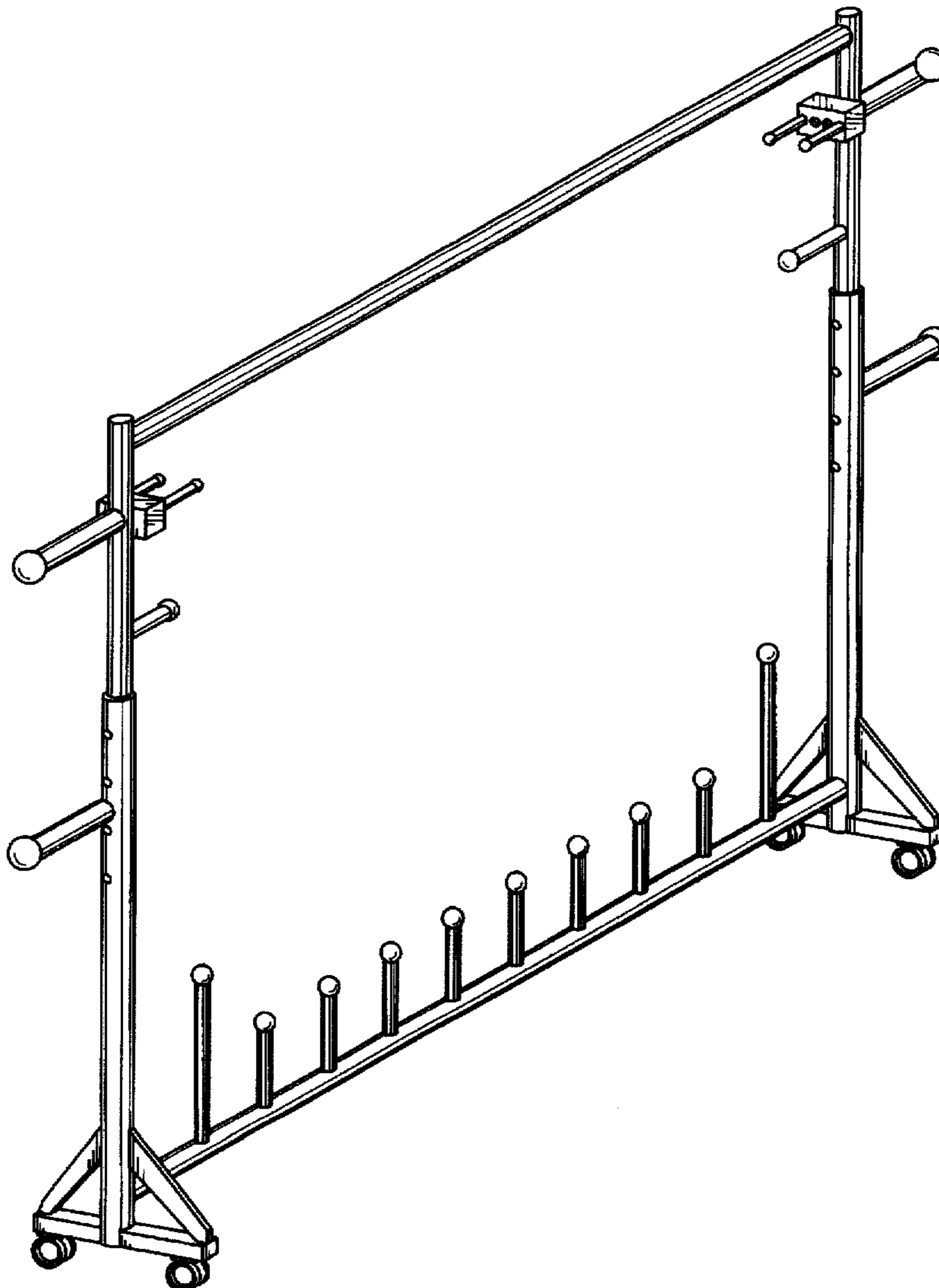
FIG. 1 is a perspective view of a scuba equipment rack showing my new design;
FIG. 2 is a front view thereof; the rear view is a mirror image thereof;
FIG. 3 is a left side view thereof; the right side view is a mirror image thereof;
FIG. 4 is a top view thereof; and,
FIG. 5 is a bottom view thereof.

[56] **References Cited**

U.S. PATENT DOCUMENTS

D. 198,349 6/1964 Saunders D6/552
D. 209,840 1/1968 Zuker D6/552
D. 334,316 3/1993 Daniel D6/552

1 Claim, 4 Drawing Sheets



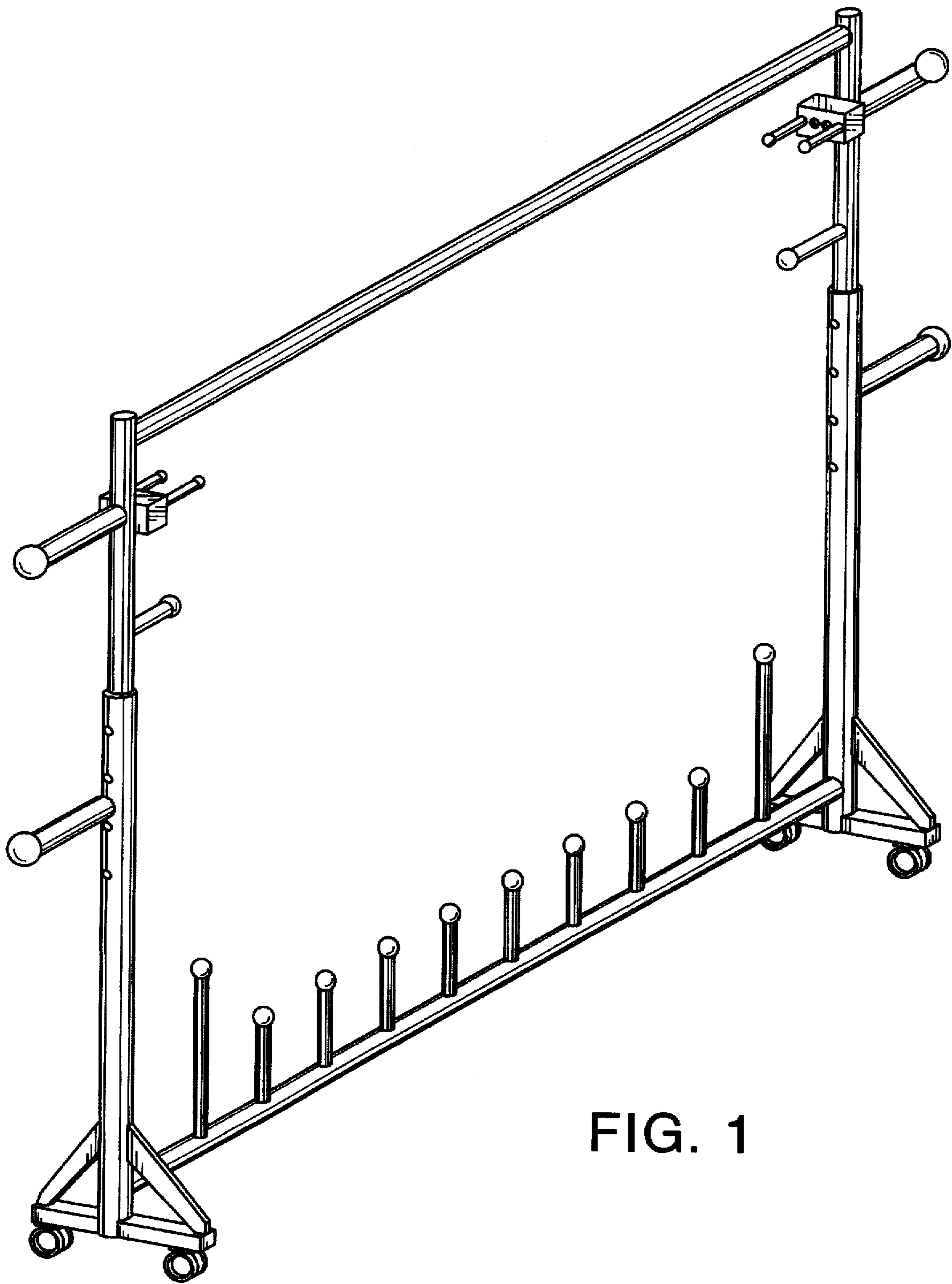


FIG. 1

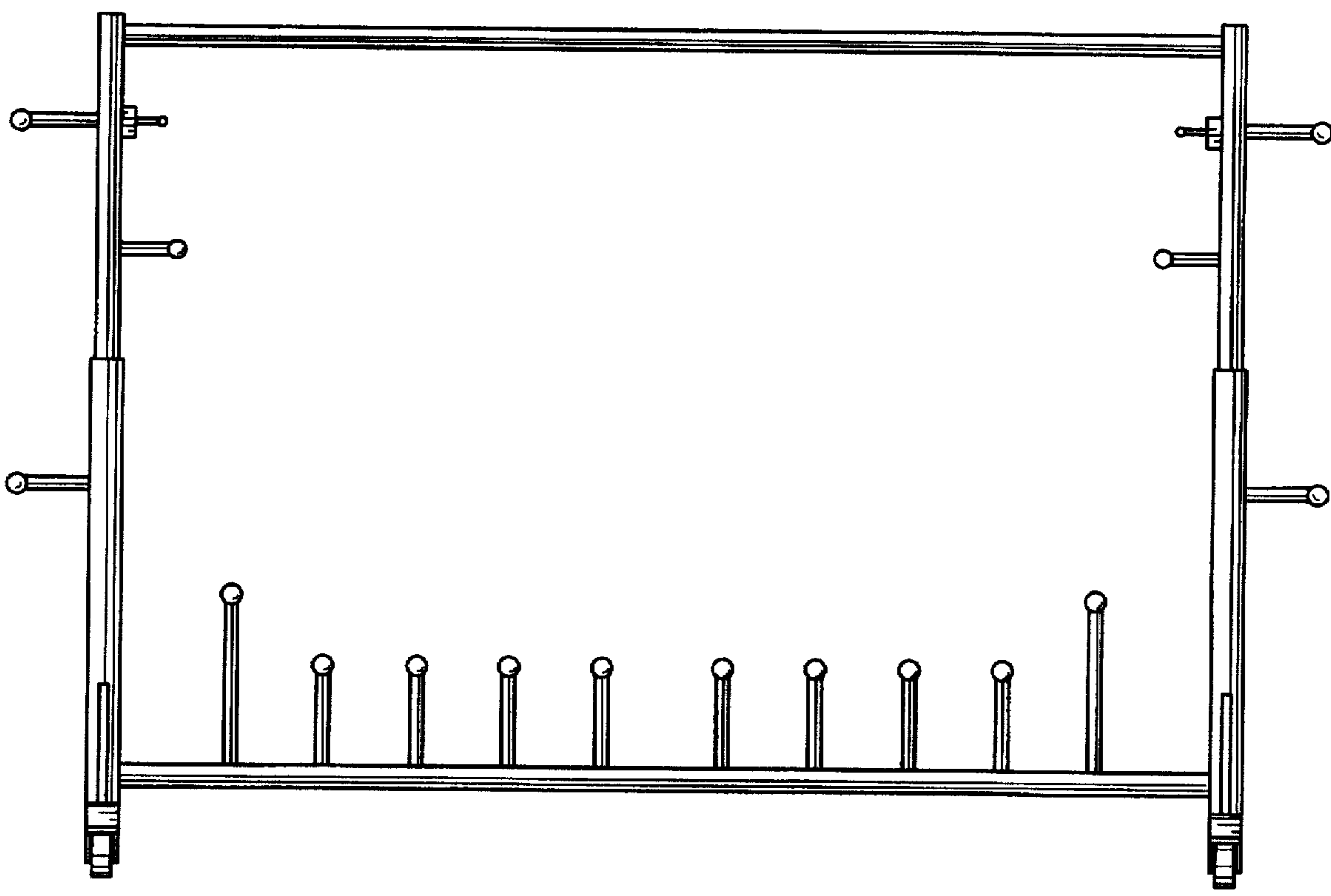


FIG. 2

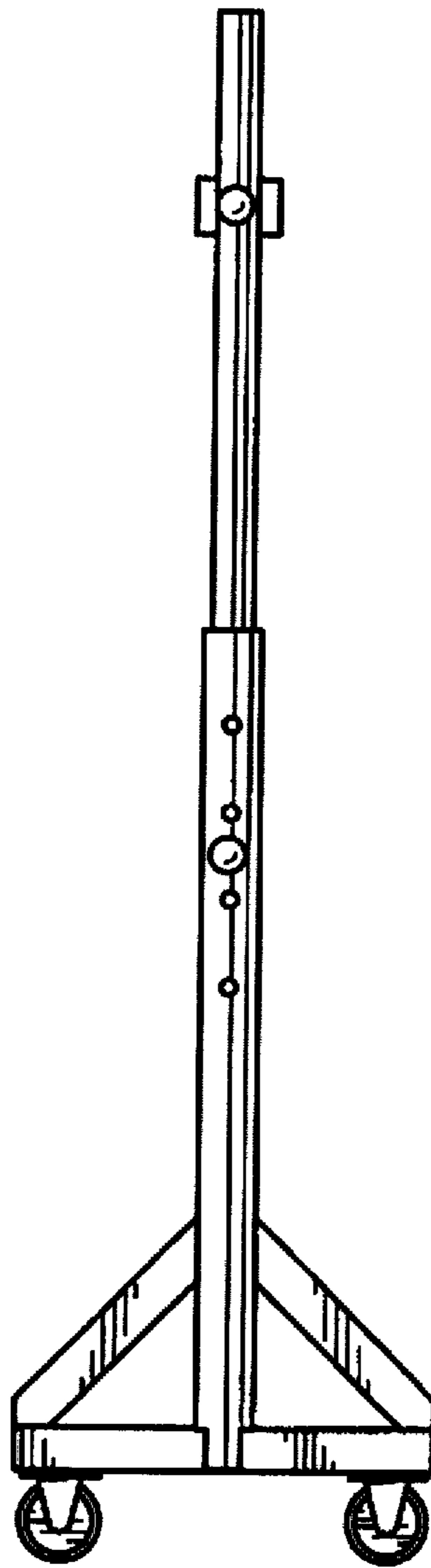


FIG. 3



FIG. 4

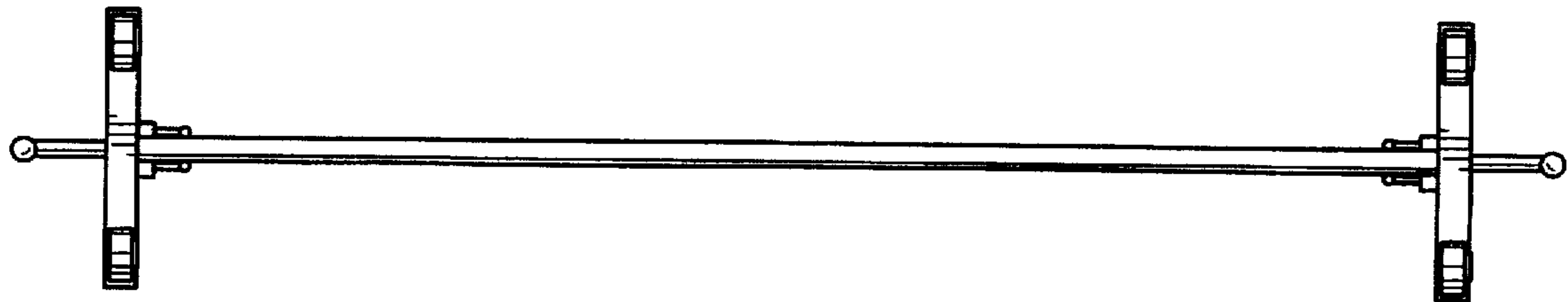


FIG. 5