



US00D387228S

United States Patent [19]

Nourse

[11] Patent Number: **Des. 387,228**

[45] Date of Patent: ****Dec. 9, 1997**

[54] **CONSOLE**

[75] Inventor: **Aagje M. T. Nourse**, Forth Worth, Tex.

[73] Assignee: **BBA Holdings, Inc.**, Wilmington, Del.

[**] Term: **14 Years**

[21] Appl. No.: **41,082**

[22] Filed: **Jul. 5, 1995**

[51] LOC (6) Cl. **06-03**

[52] U.S. Cl. **D6/487; D6/480**

[58] Field of Search **D6/480-489, 495, D6/497, 499, 451; 108/153, 156, 157, 161**

[56] **References Cited**

U.S. PATENT DOCUMENTS

D. 83,355	2/1931	Simms	D6/349
D. 165,139	11/1951	Duer	D6/499
D. 179,936	3/1957	Doolittle	D6/480
D. 284,819	7/1986	Shaw et al.	D6/487
D. 333,932	3/1993	Martin	D6/484

OTHER PUBLICATIONS

Bloomington, Sep. 24, 1994, p. 5 table at top right.

Levitz August Sale, front cover, table in center.

LaBarge, p. 105A, #4304 at lower left.

Primary Examiner—Janice E. Seeger

Attorney, Agent, or Firm—Haynes and Boone, L.L.P.

[57] **CLAIM**

The ornamental design for a console, as shown and described.

DESCRIPTION

FIG. 1 is a perspective view of the console showing my new design;

FIG. 2 is a front elevational view thereof;

FIG. 3 is a side elevational view thereof;

FIG. 4 is a top plan view thereof; and,

FIG. 5 is a bottom plan view thereof.

1 Claim, 5 Drawing Sheets



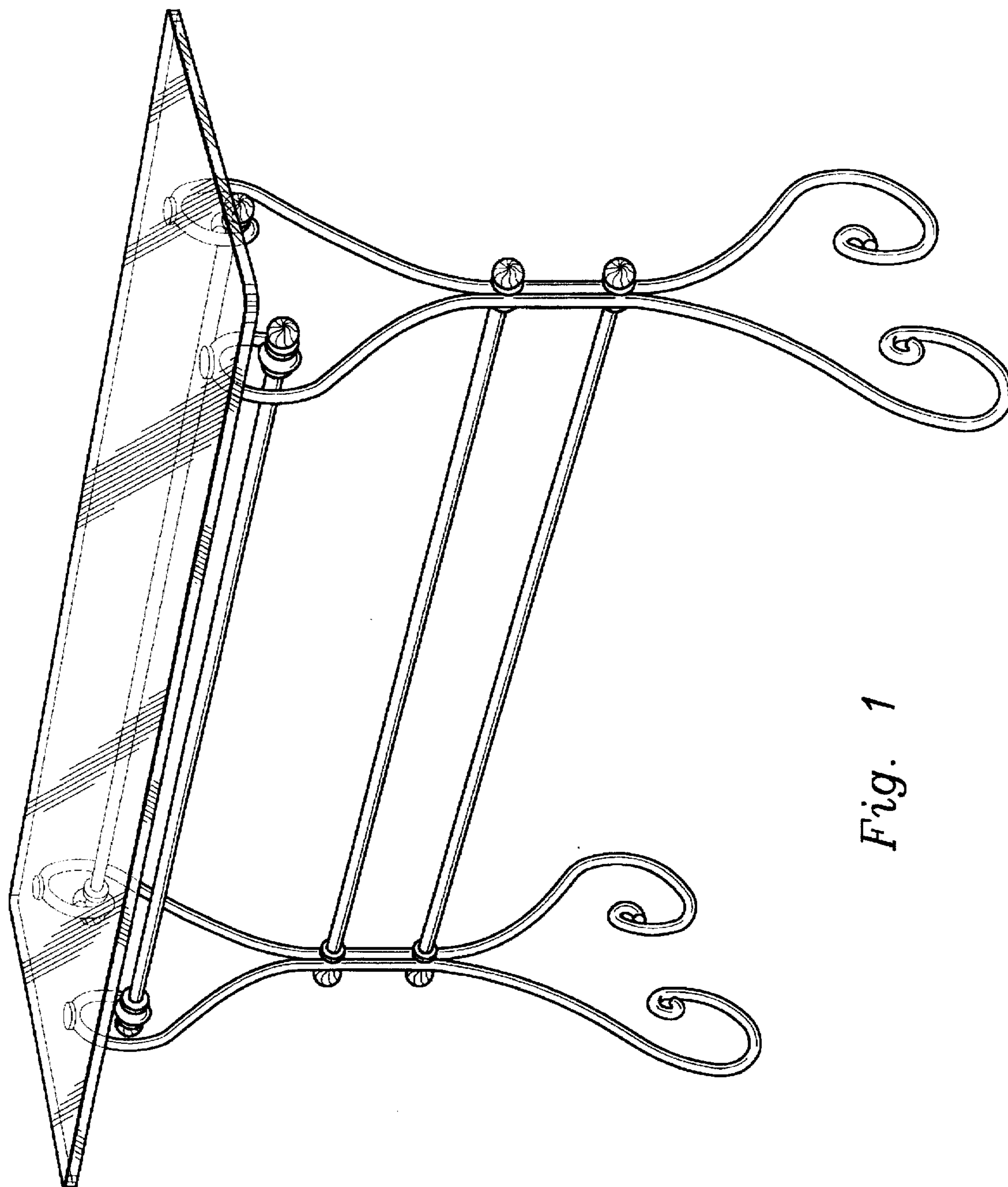


Fig. 1



Fig. 2

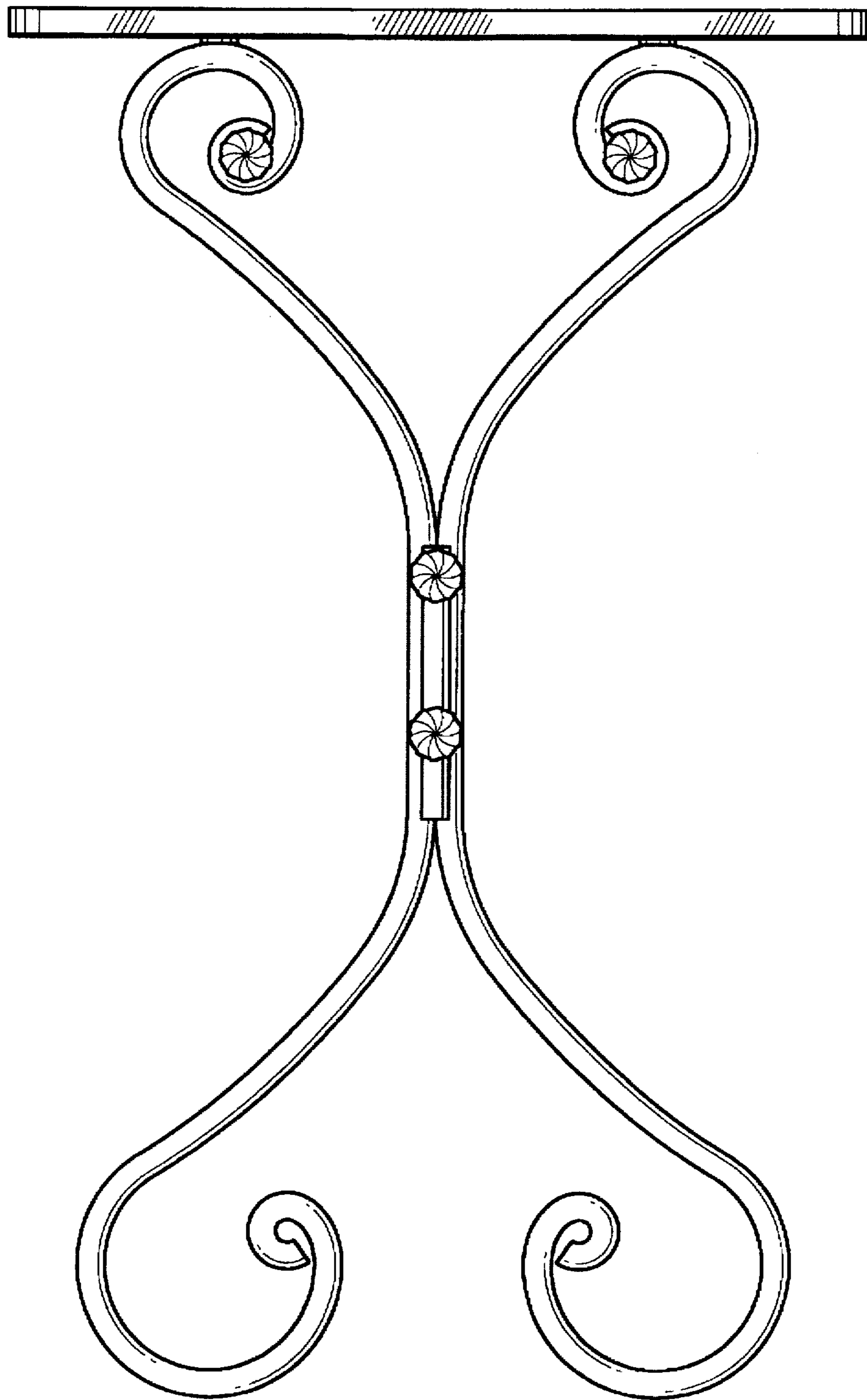


Fig. 3

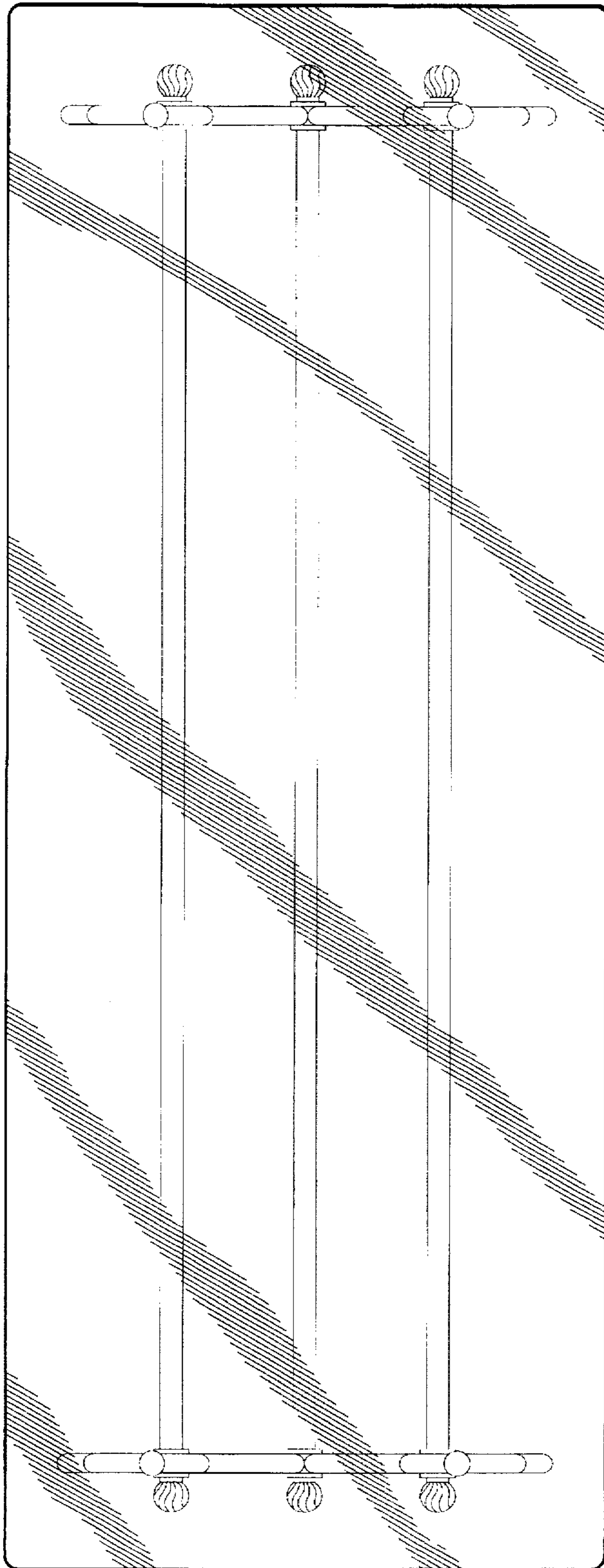


Fig. 4

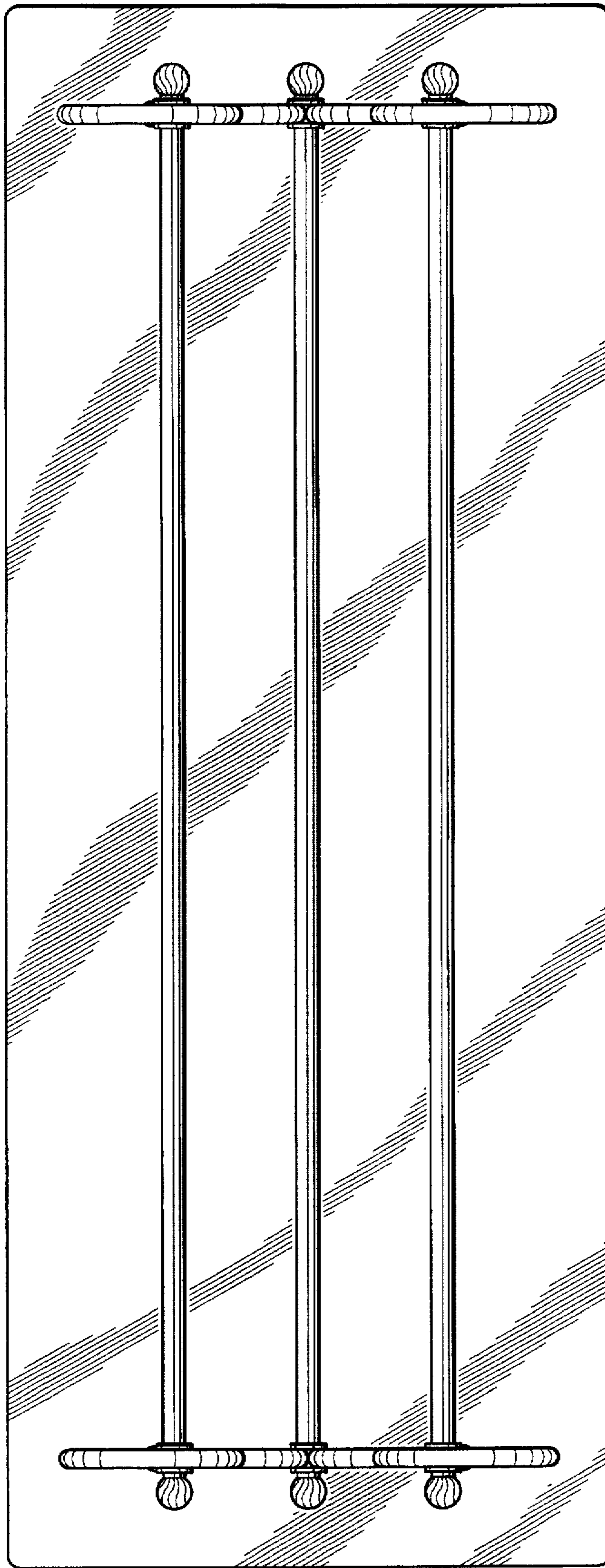


Fig. 5