



US00D387223S

United States Patent [19]

Brunner et al.

[11] Patent Number: **Des. 387,223**

[45] Date of Patent: ****Dec. 9, 1997**

[54] **COMBO UNIT**

[75] Inventors: **Merlin A. Brunner, Appleton; Harvey J. Draheim, Weyauwega, both of Wis.**

[73] Assignee: **Simmons Juvenile Products Company, Inc., New London, Wis.**

[**] Term: **14 Years**

[21] Appl. No.: **58,767**

[22] Filed: **Aug. 22, 1996**

[51] LOC (6) CL **06-04**

[52] U.S. Cl. **D6/439**

[58] Field of Search **D6/432, 436-439, D6/441, 442, 445-448; 312/108, 198, 204**

[56] References Cited

U.S. PATENT DOCUMENTS

D. 126,985	5/1941	Miller	D6/441
D. 129,483	9/1941	Jiranek	D6/441
D. 146,375	2/1947	Obrig	D6/446
D. 168,840	2/1953	Herrman et al.	D6/441
D. 170,021	7/1953	Herrmann	D6/439
D. 365,464	12/1995	Brunner et al.	D6/439
D. 378,329	3/1997	Brunner et al.	D6/439

OTHER PUBLICATIONS

Baby-2-Teen Furn., Baby Express, p. 4, dressing station at top.

Simmons Juvenile Products Company, Inc. 1995 Catalog: Combo Unit 1930.

Primary Examiner—Janice E. Seeger

Attorney, Agent, or Firm—Hoffmann & Baron, LLP

[57] CLAIM

The ornamental design for a combo unit, as shown and described.

DESCRIPTION

FIG. 1 is a top perspective view of a combo unit showing our new design;

FIG. 2 is a top plan view thereof;

FIG. 3 is a front elevation view thereof;

FIG. 4 is a side elevation view thereof;

FIG. 5 is a side elevation view thereof opposite from the side shown in FIG. 4;

FIG. 6 is a rear elevation view thereof;

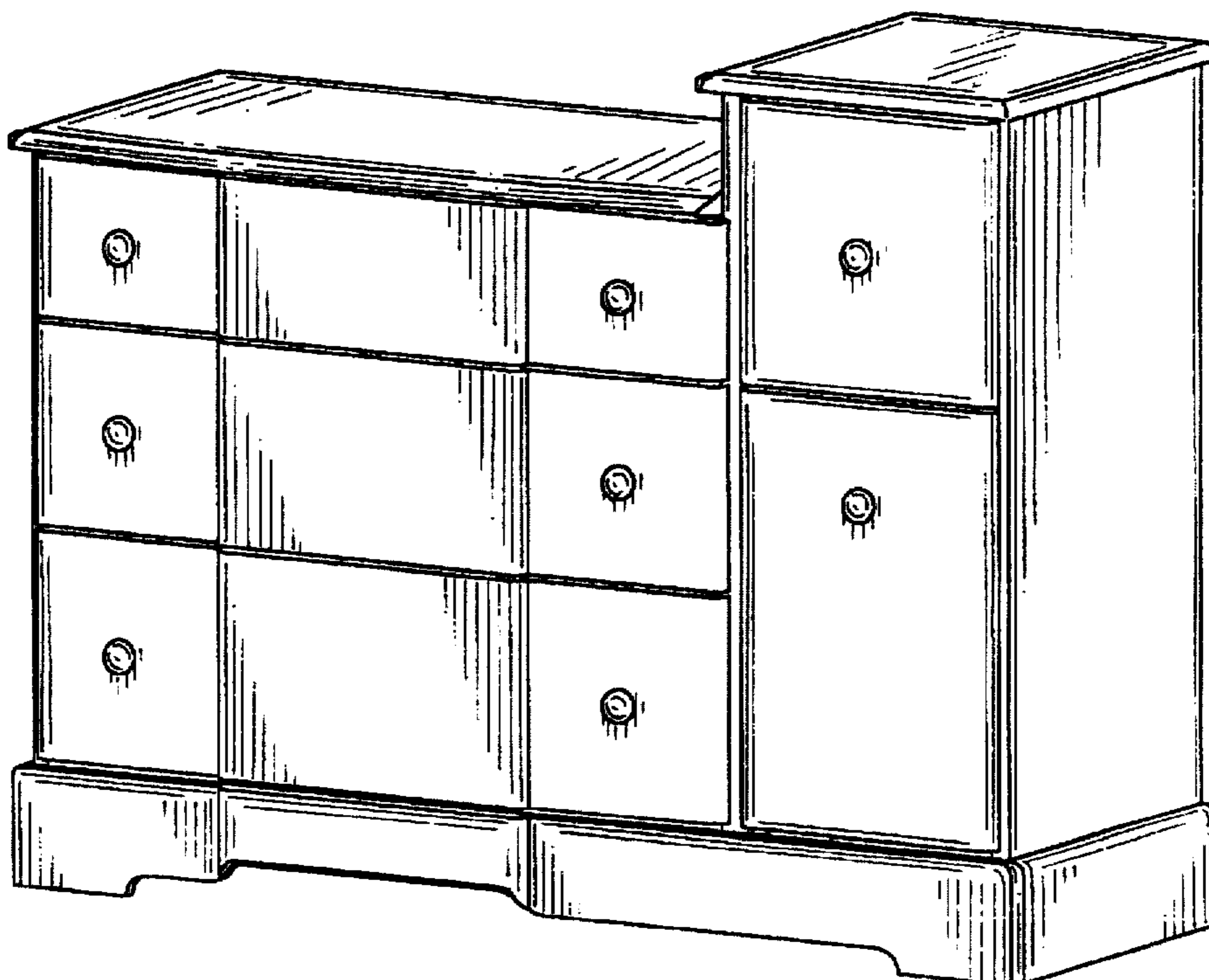
FIG. 7 is a bottom plan view thereof;

FIG. 8 is an enlarged sectional view taken along line 8—8 of FIG. 3;

FIG. 9 is an enlarged sectional view taken along line 9—9 of FIG. 3; and,

FIG. 10 is an enlarged sectional view taken along line 10—10 of FIG. 3.

1 Claim, 9 Drawing Sheets



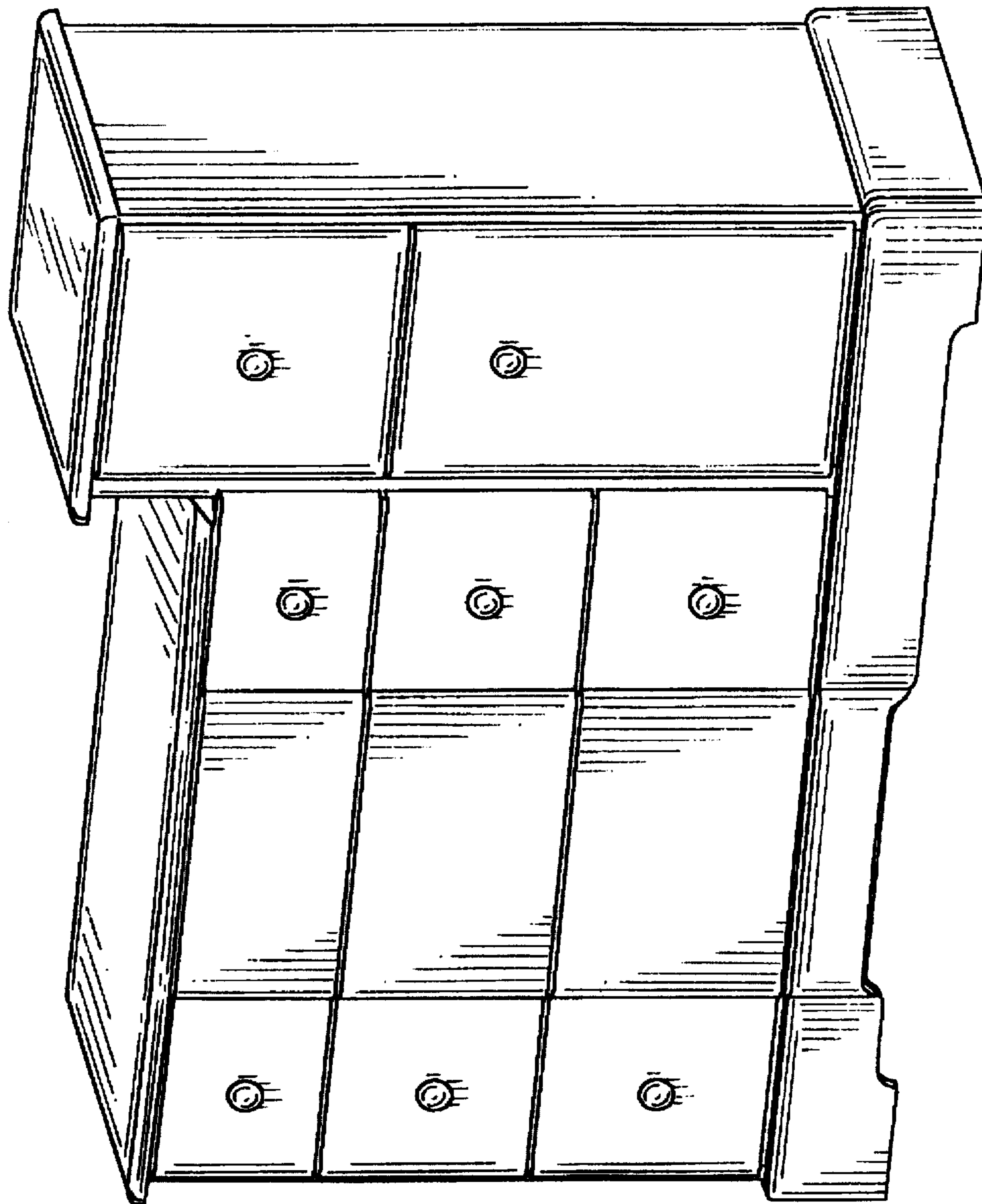
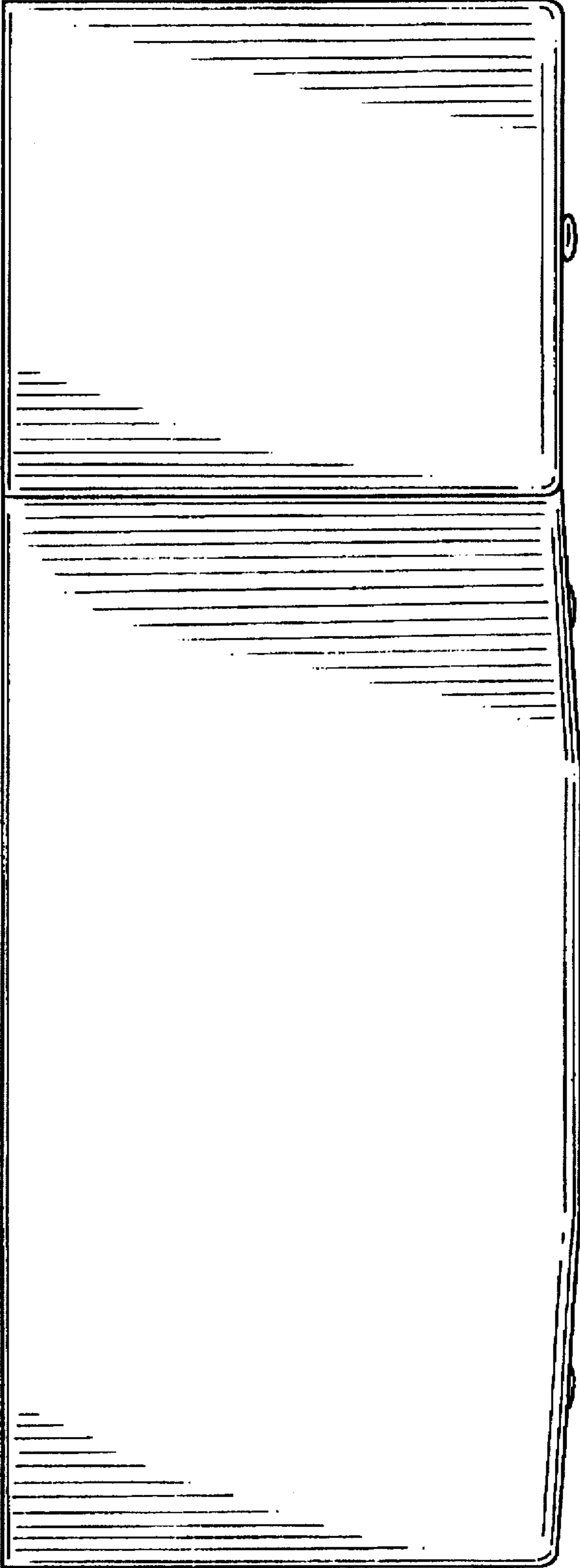


FIG - 1

FIG - 2



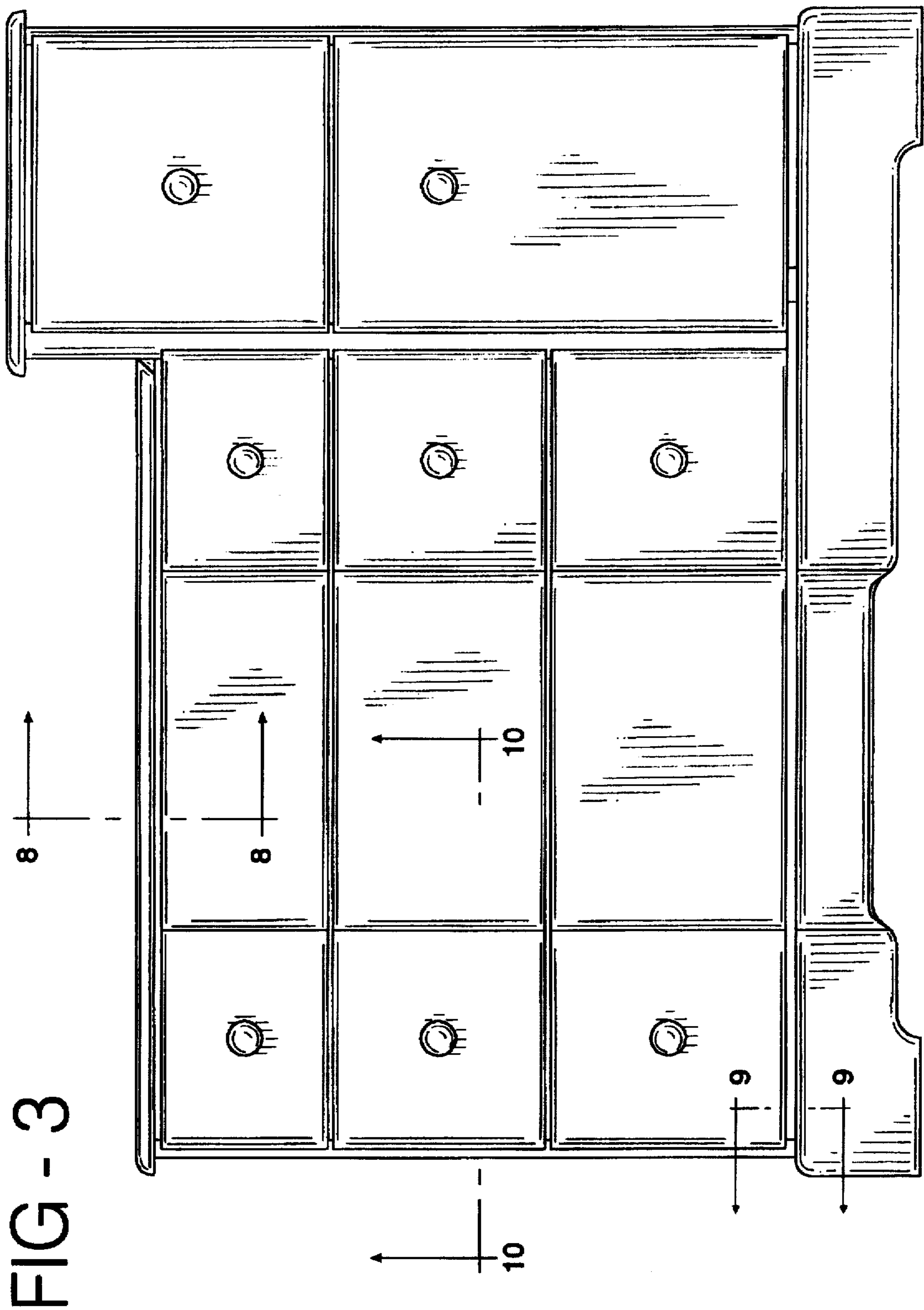


FIG - 4

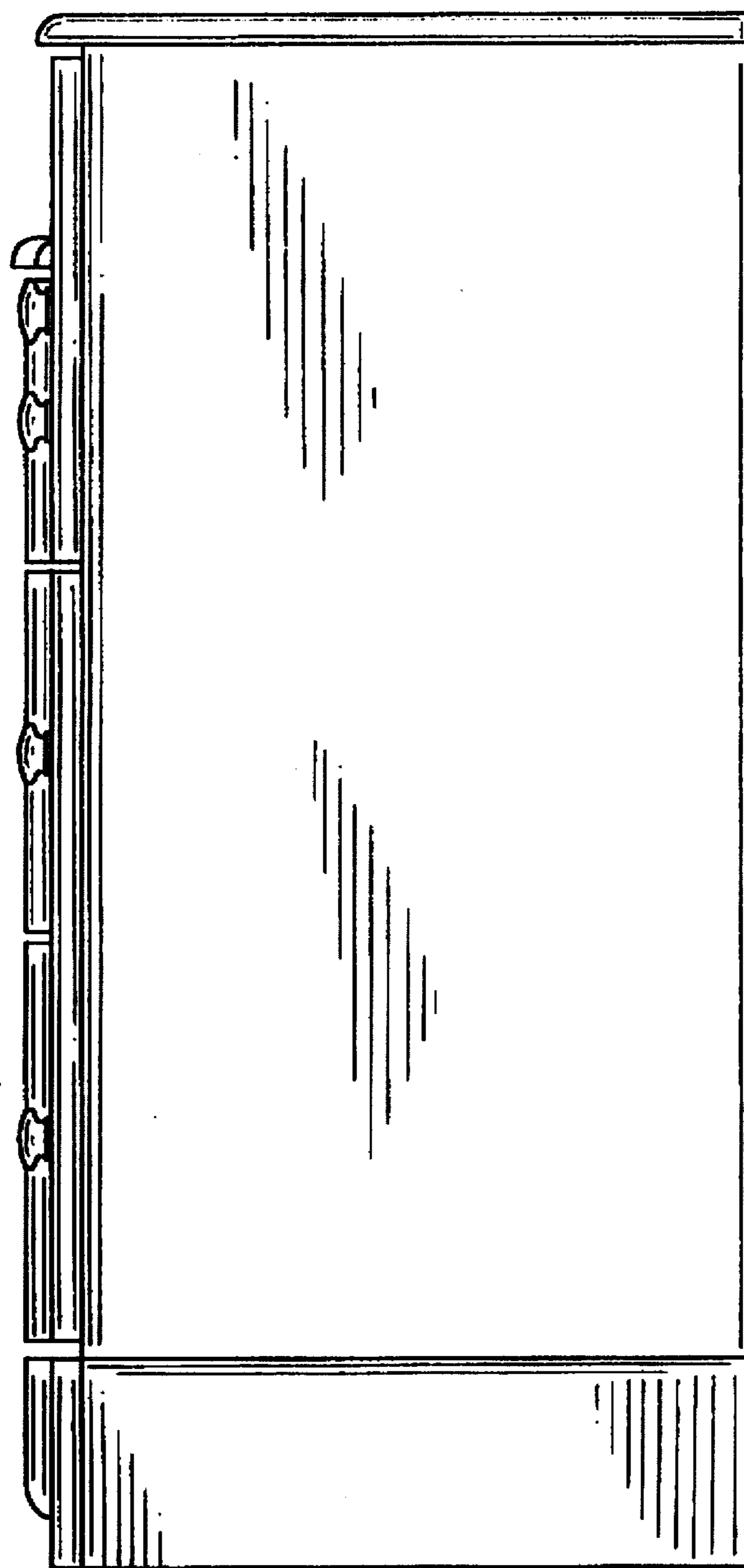
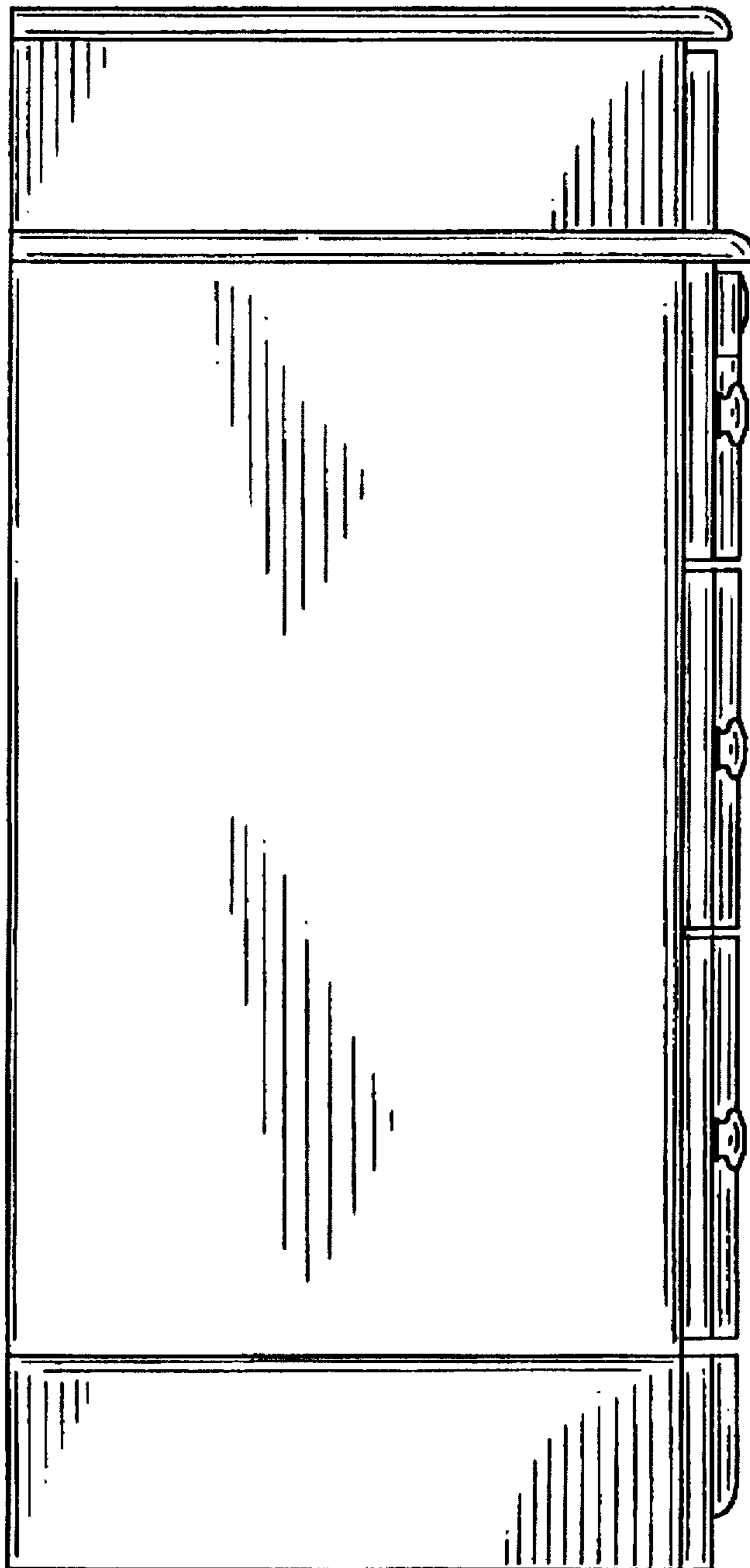


FIG - 5



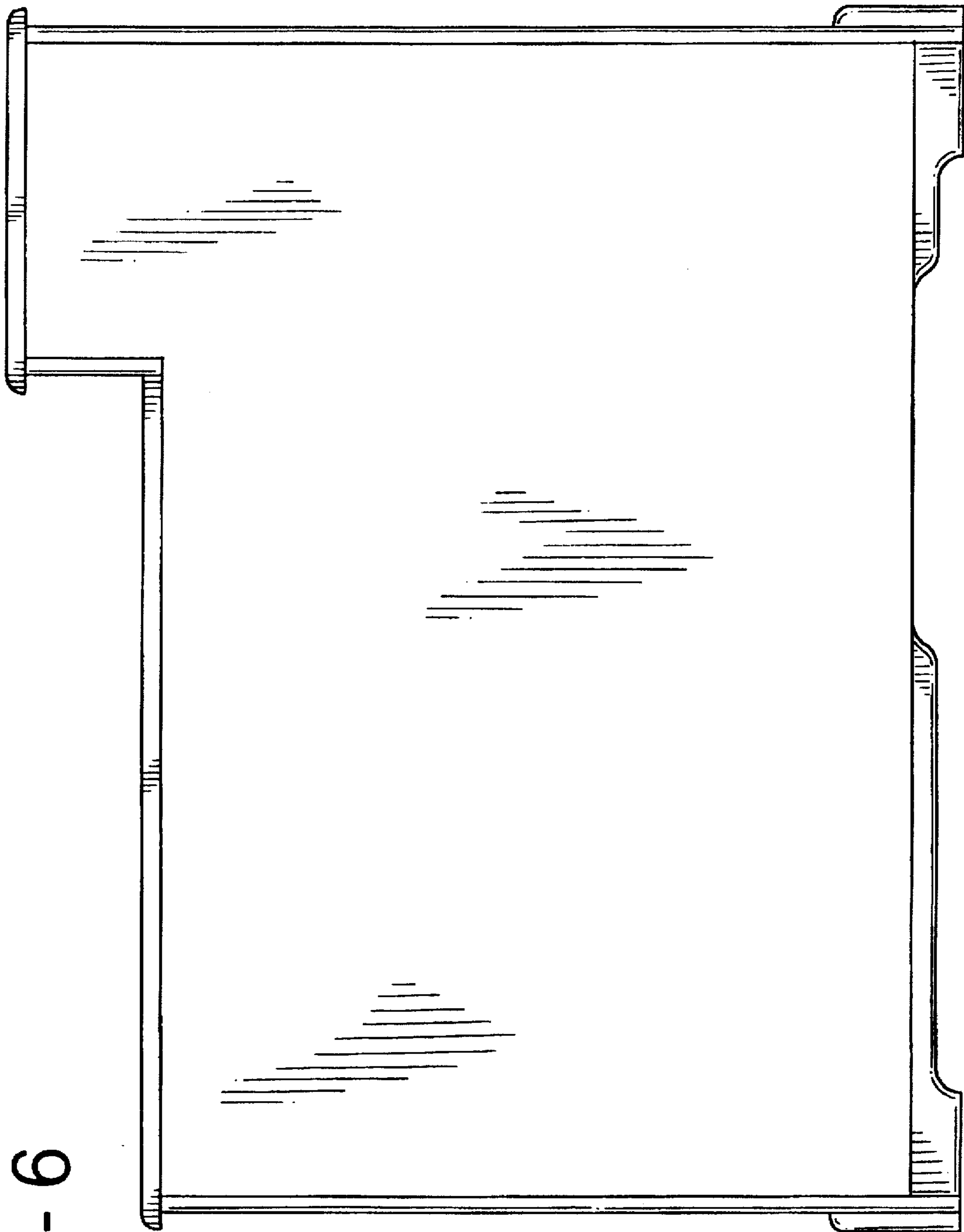


FIG - 6

FIG - 7

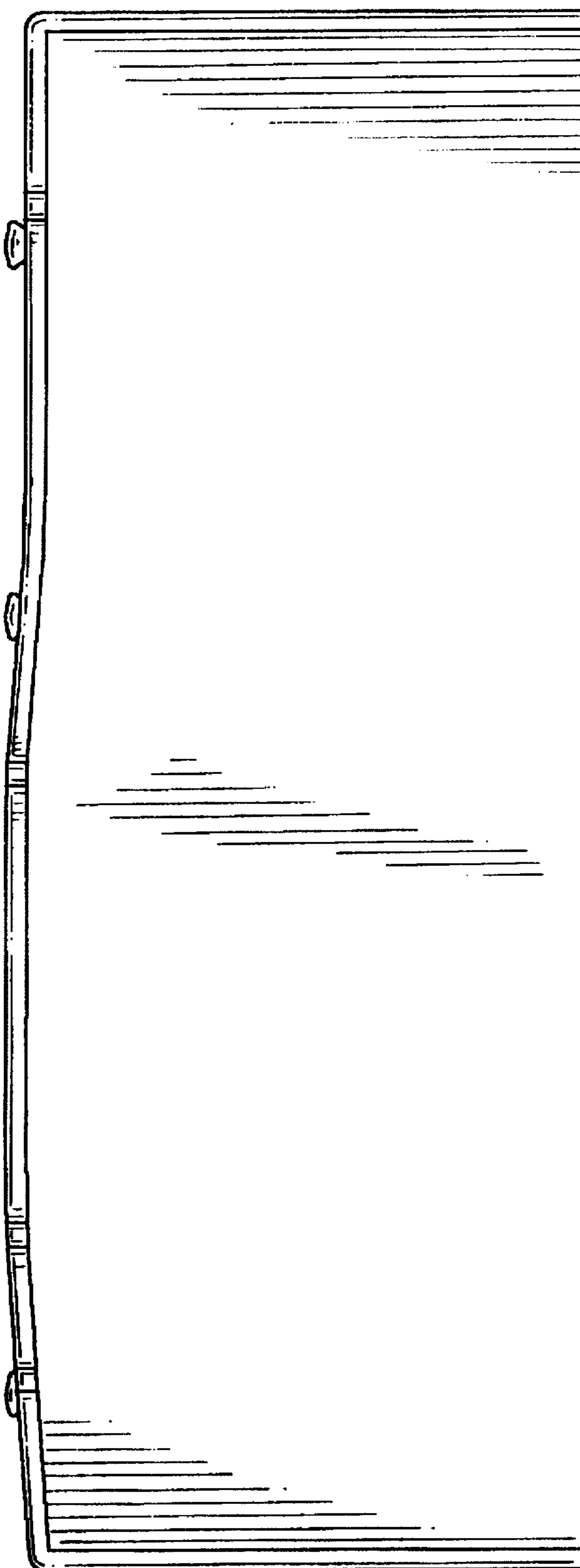


FIG - 9

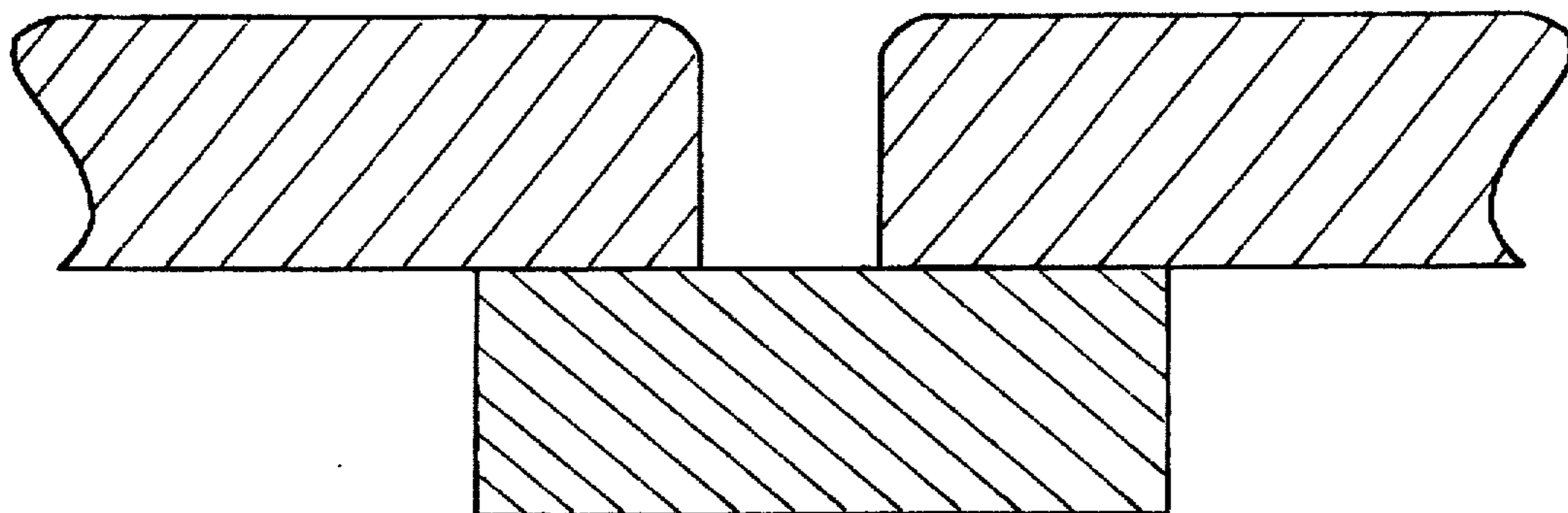


FIG - 8

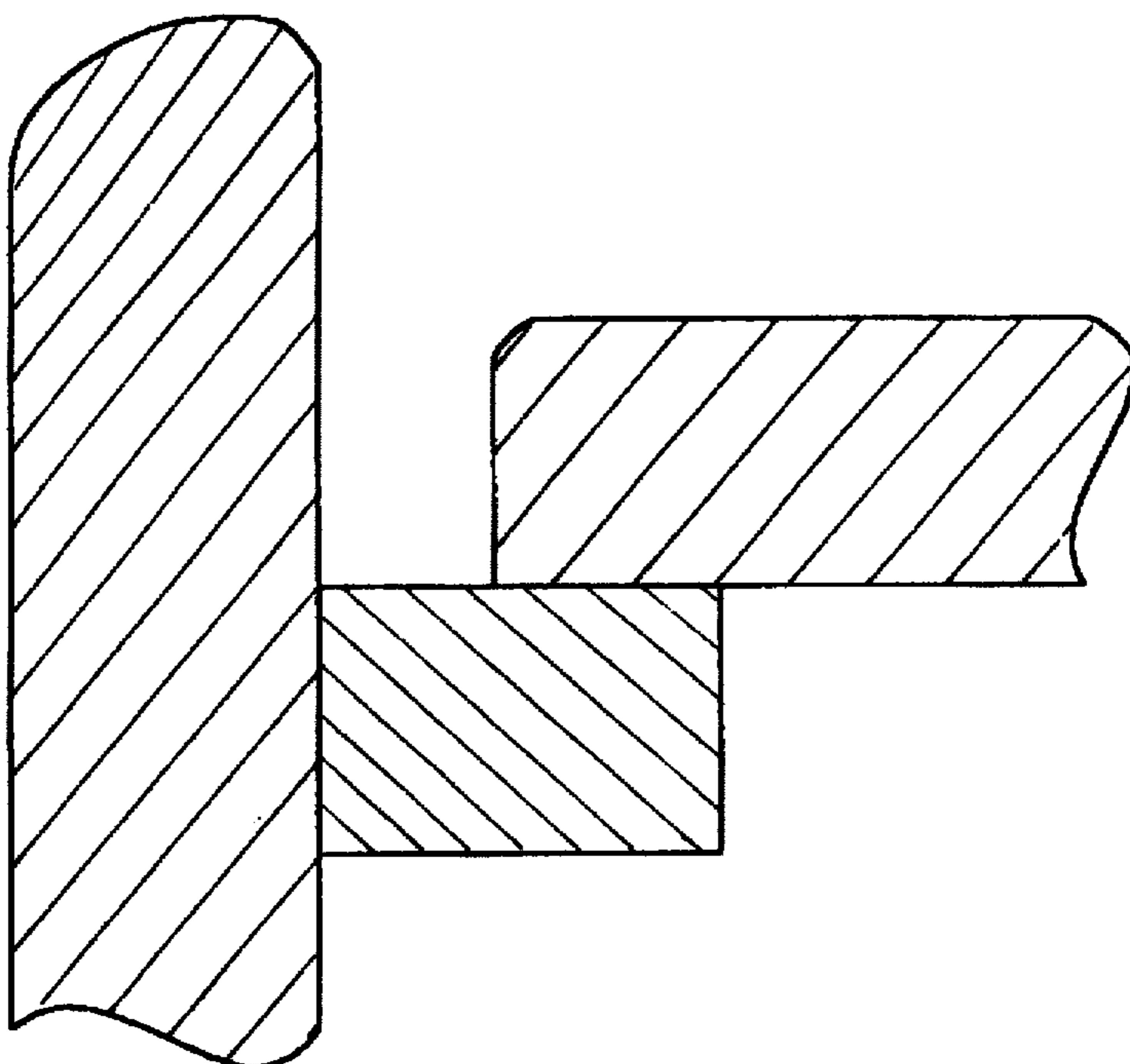


FIG - 10

