



US00D387222S

United States Patent [19]

Brunner et al.

[11] Patent Number: Des. 387,222

[45] Date of Patent: **Dec. 9, 1997

[54] DRESSER

[75] Inventors: **Merlin A. Brunner**, Appleton; **Harvey J. Draheim**, Weyauwega, both of Wis.

[73] Assignee: **Simmons Juvenile Products Company, Inc.**, New London, Wis.

[**] Term: 14 Years

[21] Appl. No.: 58,766

[22] Filed: Aug. 22, 1996

[51] LOC (6) Cl. 06-04

[52] U.S. Cl. D6/439

[58] Field of Search D6/432, 436-439, D6/441, 442, 445-448; 312/108, 198, 204

[56] References Cited

U.S. PATENT DOCUMENTS

D. 126,985	5/1941	Miller	D6/441
D. 129,483	9/1941	Jiranek	D6/441
D. 146,375	2/1947	Obrig	D6/446
D. 159,488	8/1950	Jiranek	D6/446
D. 168,840	2/1953	Herrman et al.	D6/441

Primary Examiner—Janice E. Seeger
Attorney, Agent, or Firm—Hoffmann & Baron, LLP

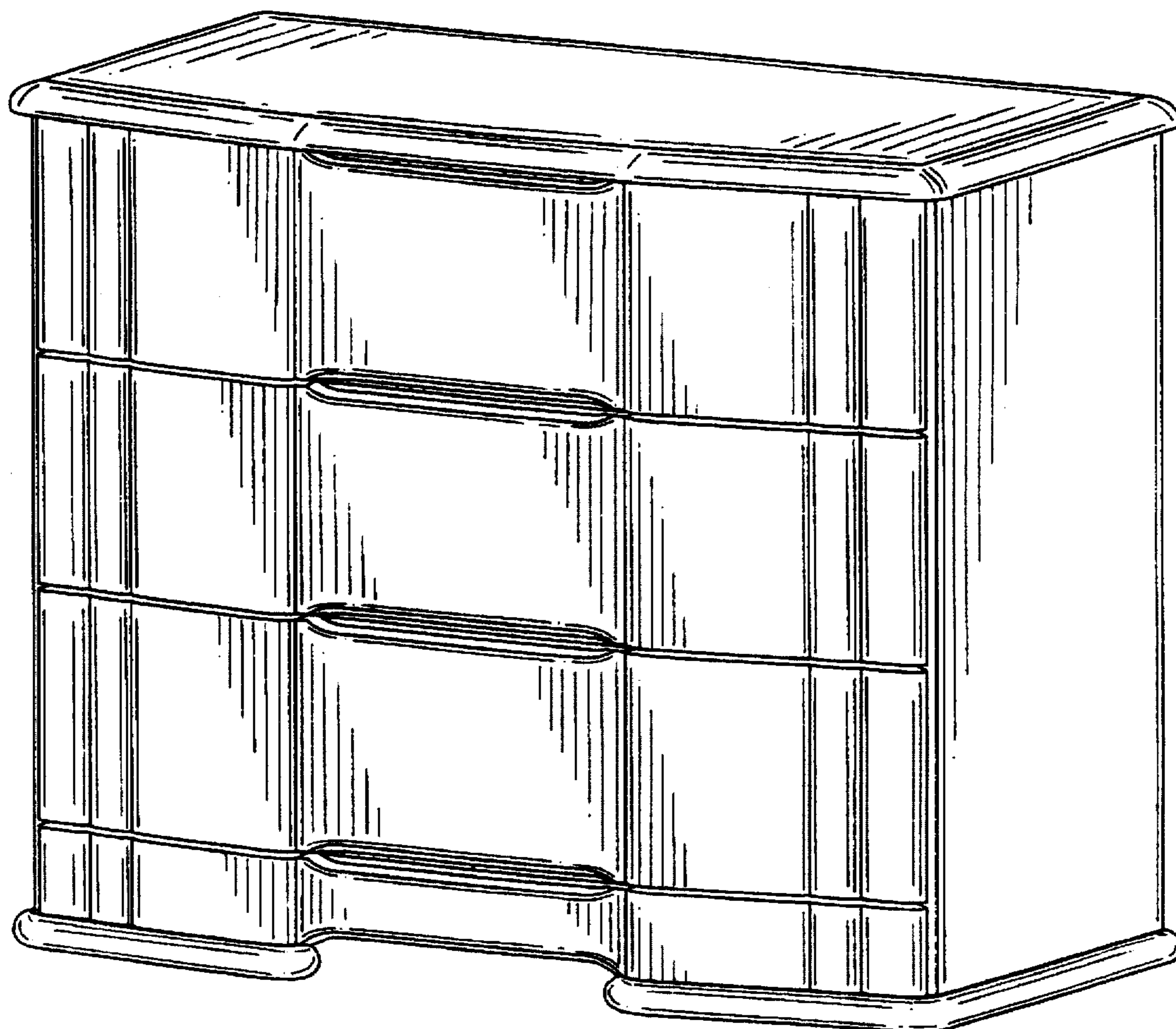
[57] CLAIM

The ornamental design for a dresser, as shown and described.

DESCRIPTION

FIG. 1 is a top perspective view of a dresser showing our new design;
 FIG. 2 is a top plan view thereof;
 FIG. 3 is a front elevation view thereof;
 FIG. 4 is a side elevation view thereof, the opposite side being a mirror image thereof;
 FIG. 5 is a rear elevation view thereof;
 FIG. 6 is a bottom plan view thereof;
 FIG. 7 is an enlarged sectional view taken along line 7—7 of FIG. 3;
 FIG. 8 is an enlarged sectional view taken along line 8—8 of FIG. 3; and,
 FIG. 9 is an enlarged sectional view taken along line 9—9 of FIG. 3.

1 Claim, 8 Drawing Sheets



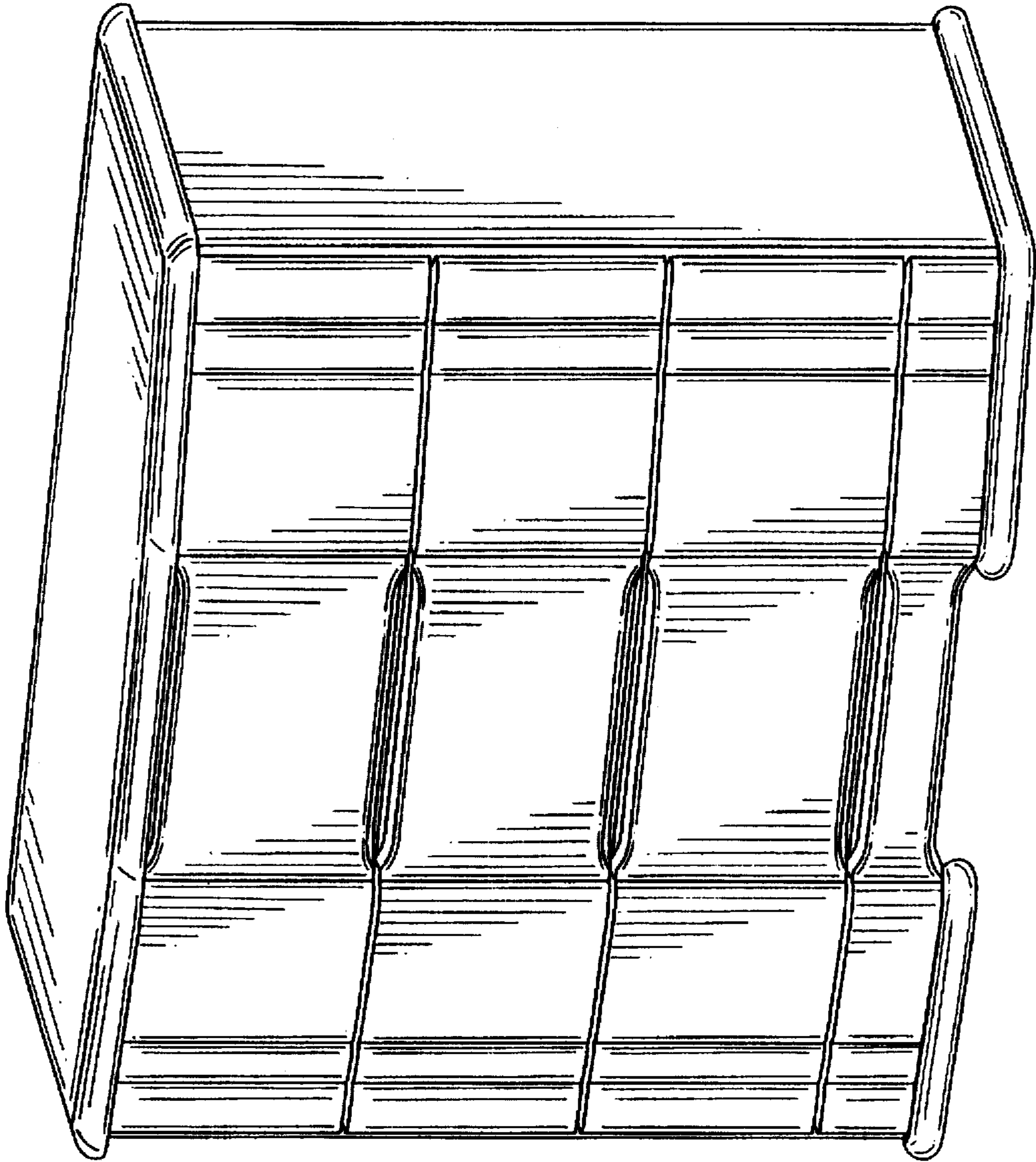


FIG - 1

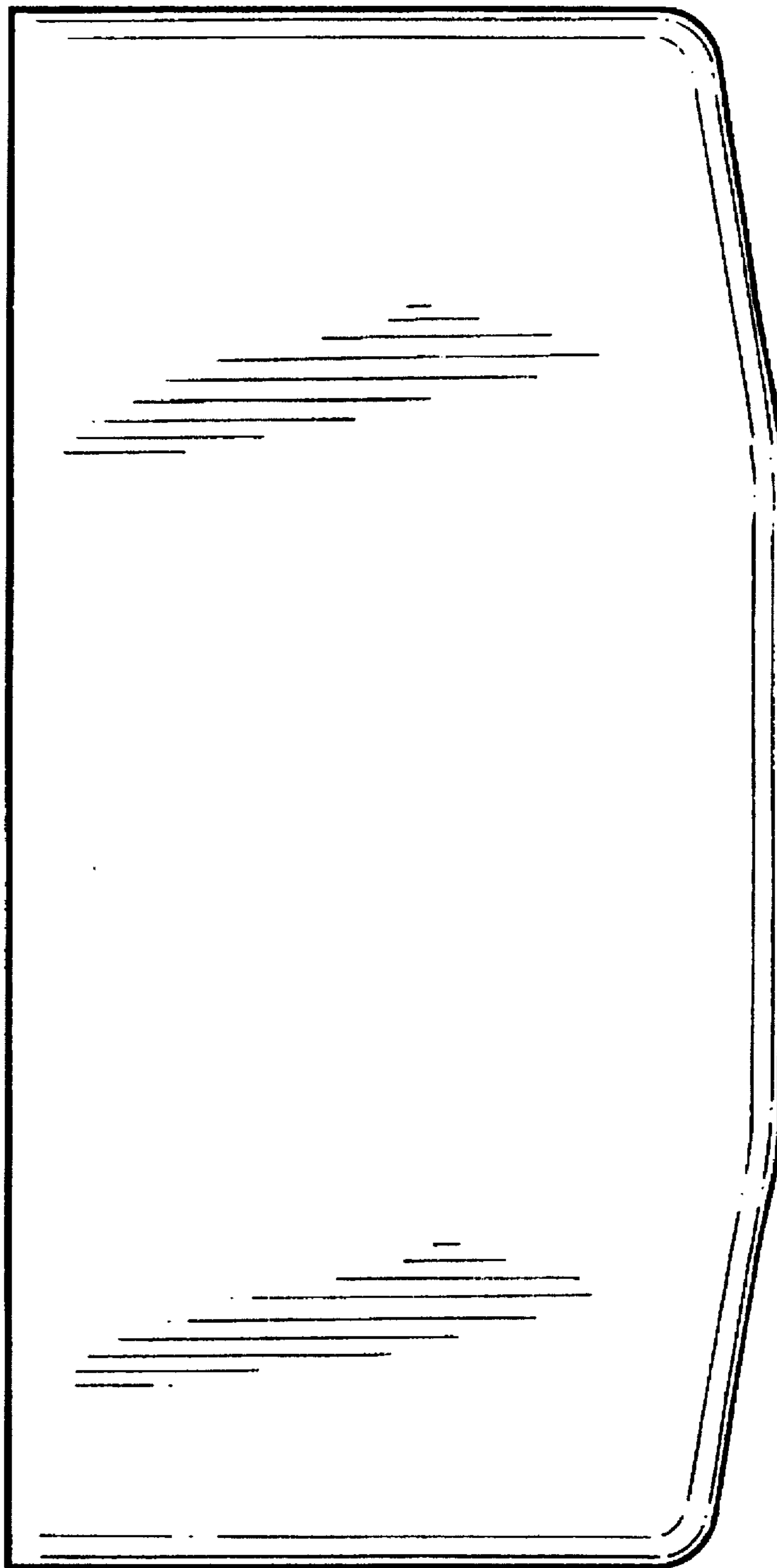


FIG - 2

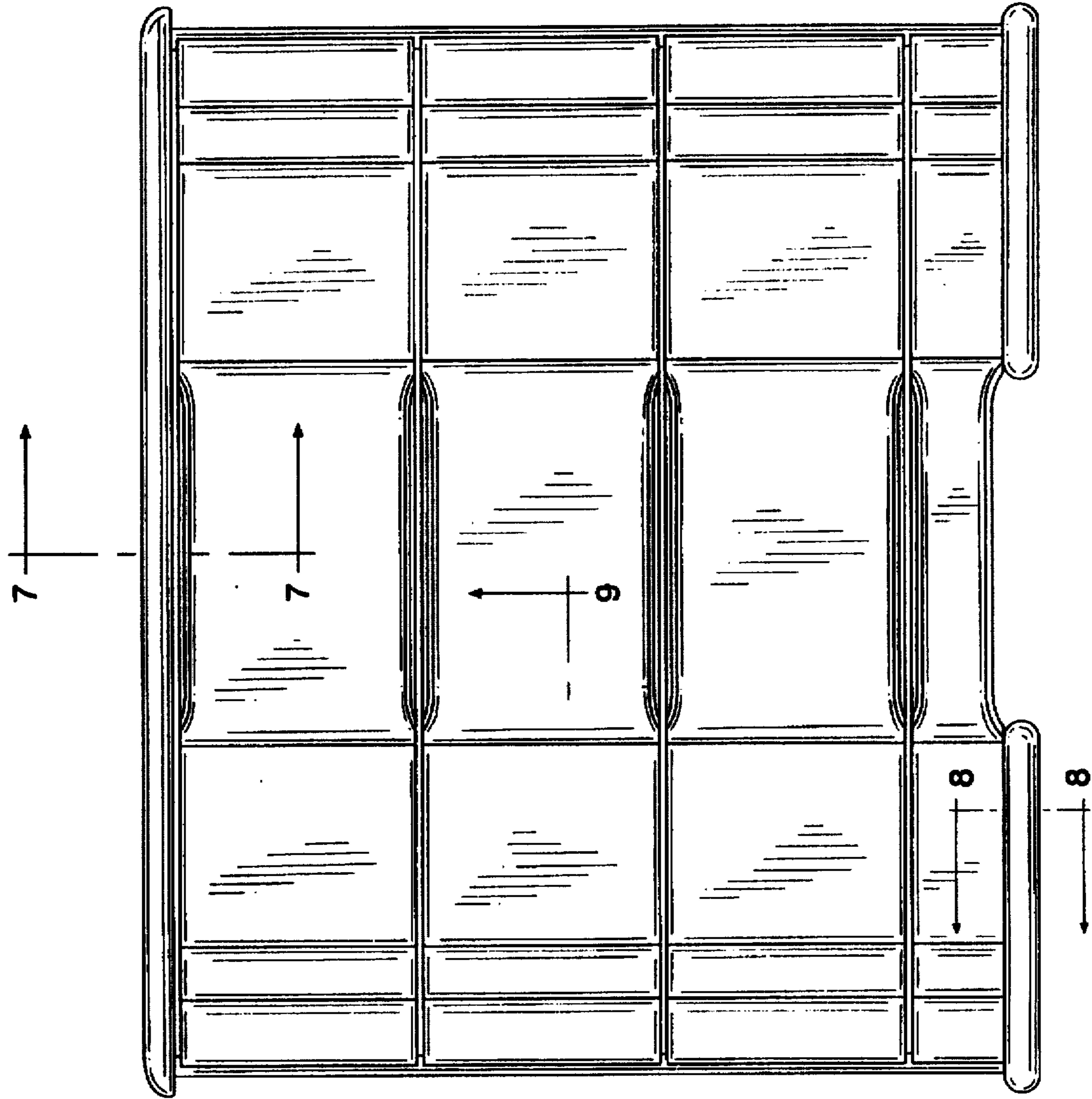


FIG - 3

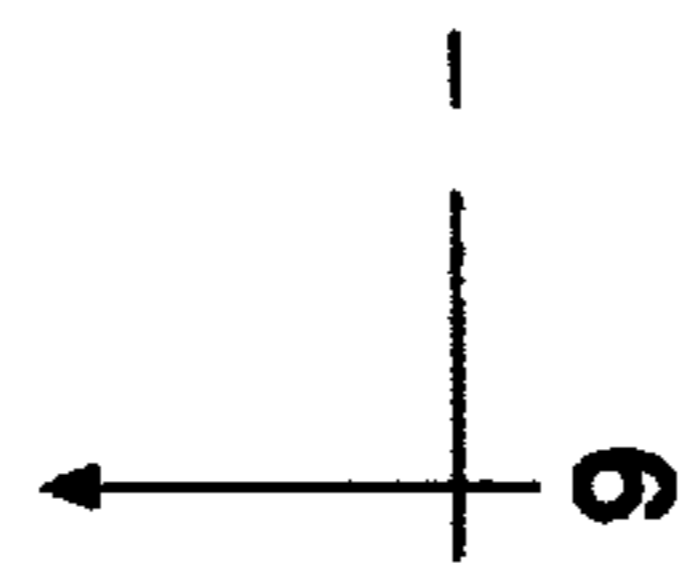
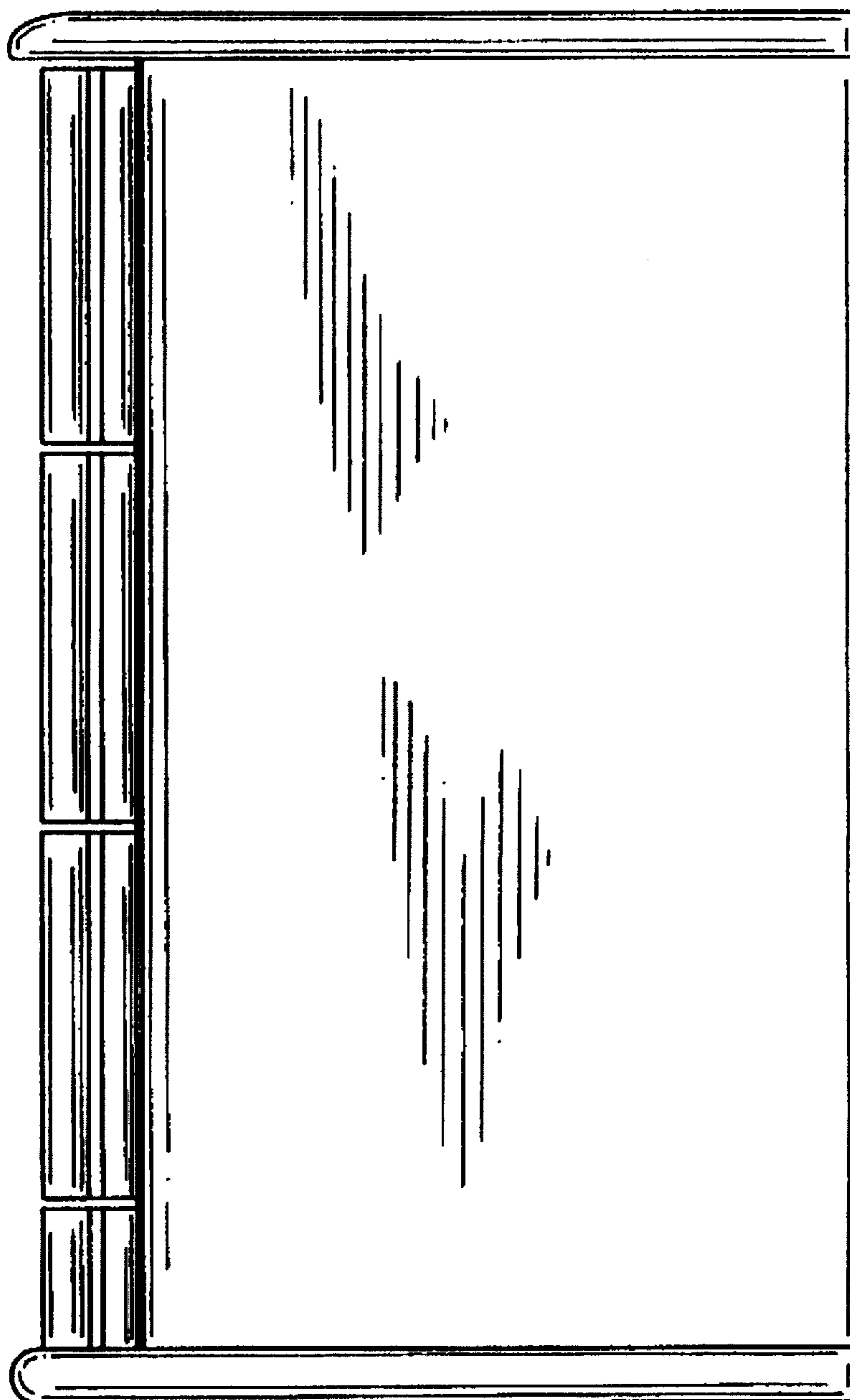


FIG - 4



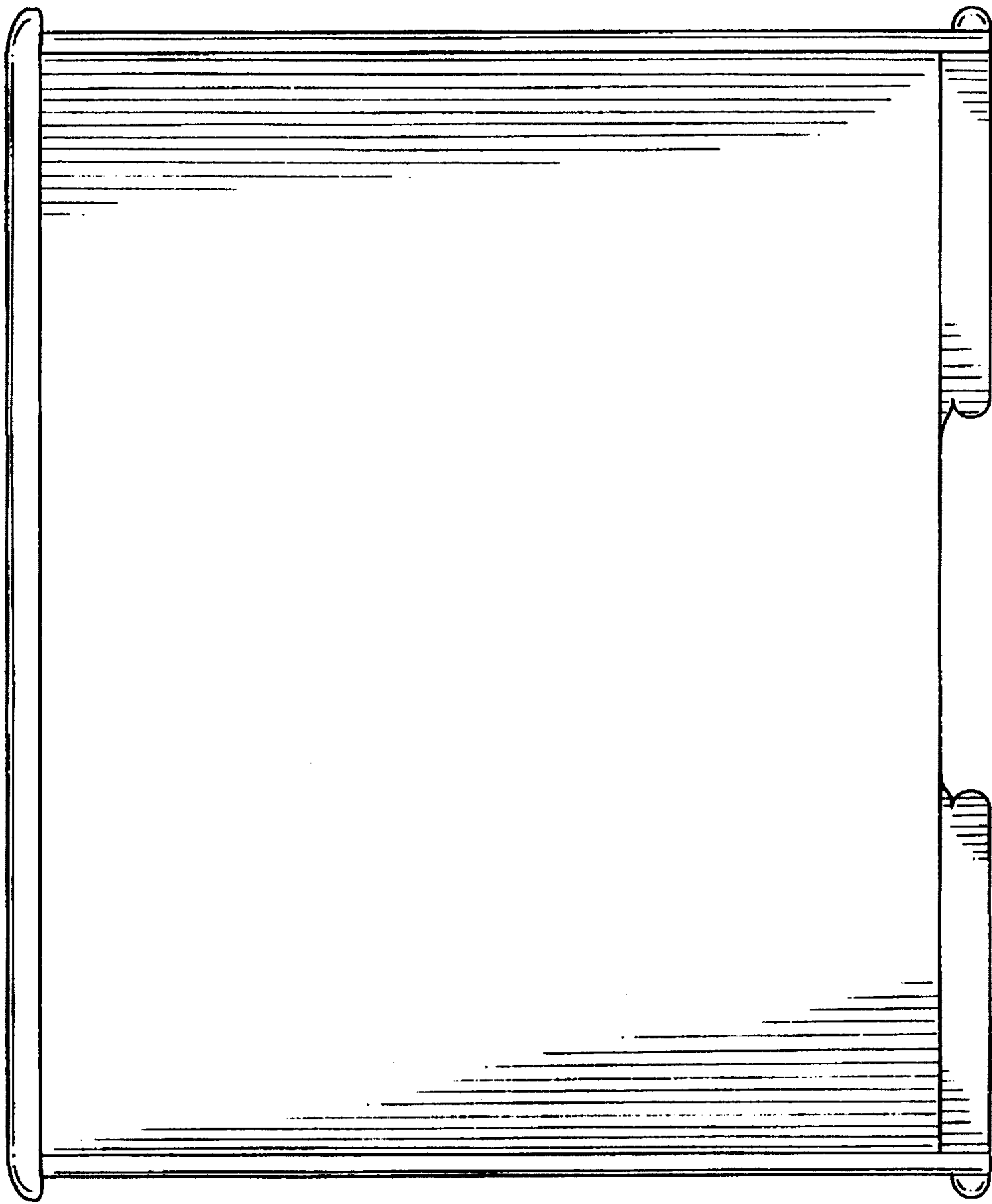


FIG - 5

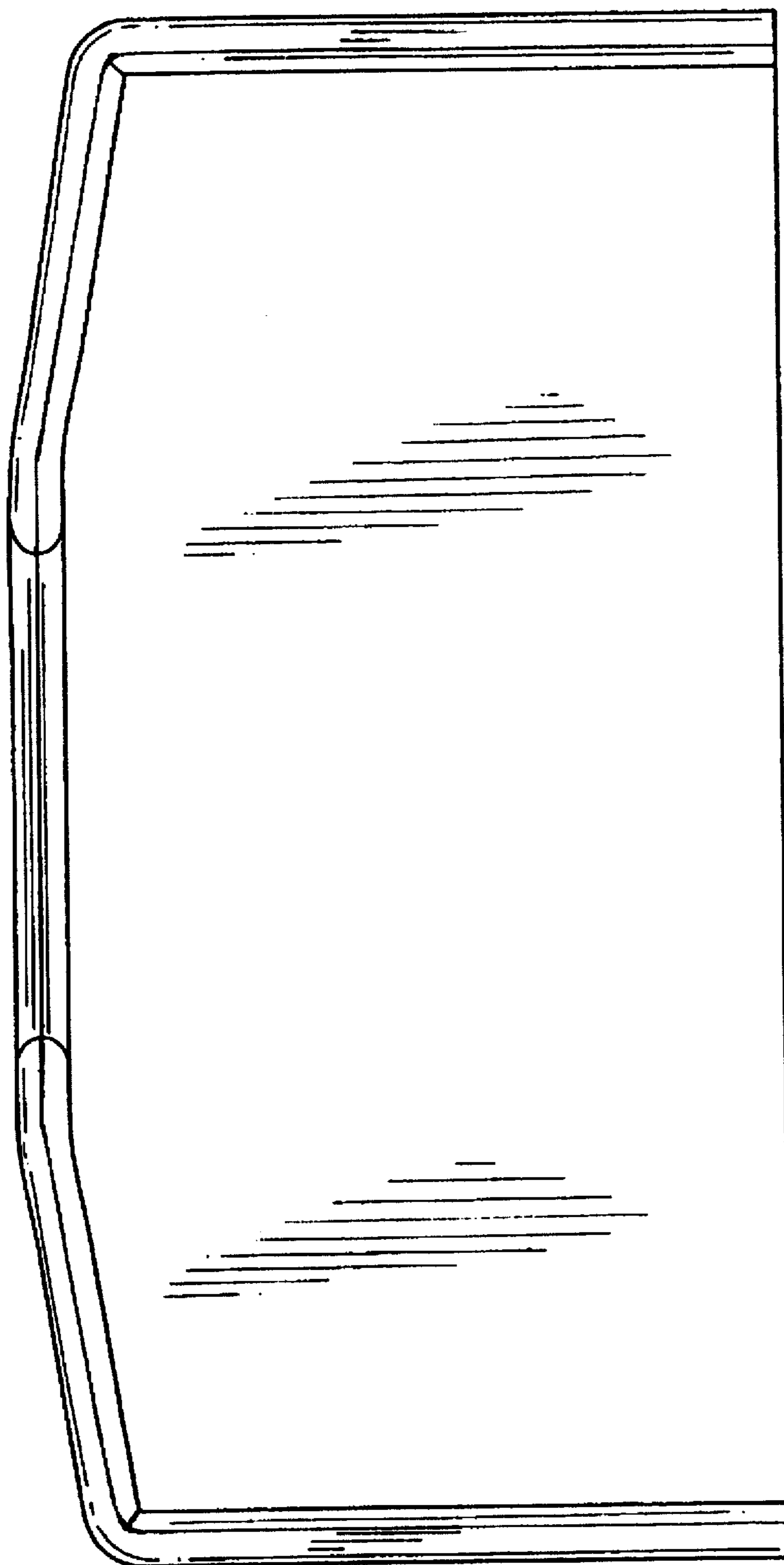


FIG - 6

FIG - 7

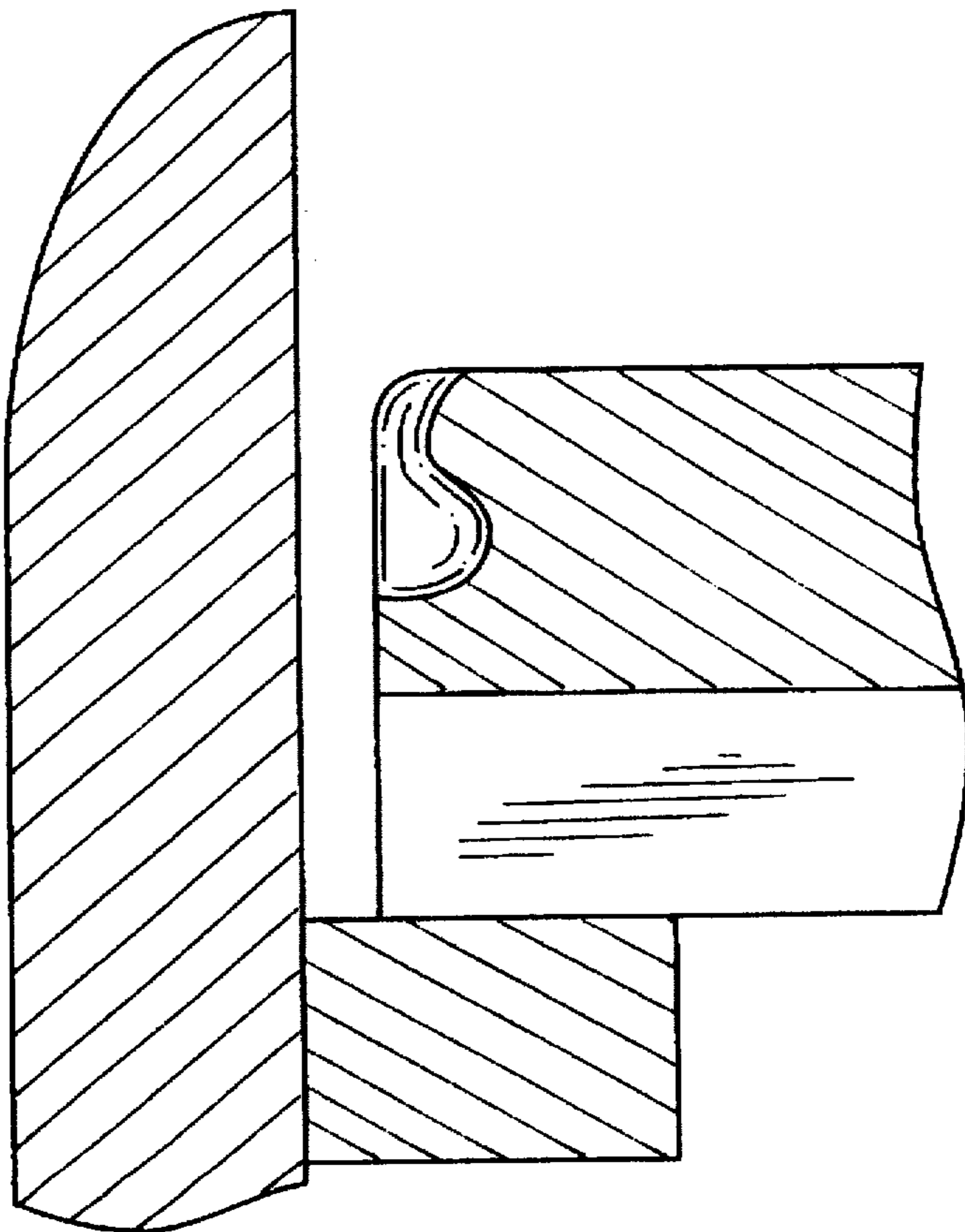


FIG - 8

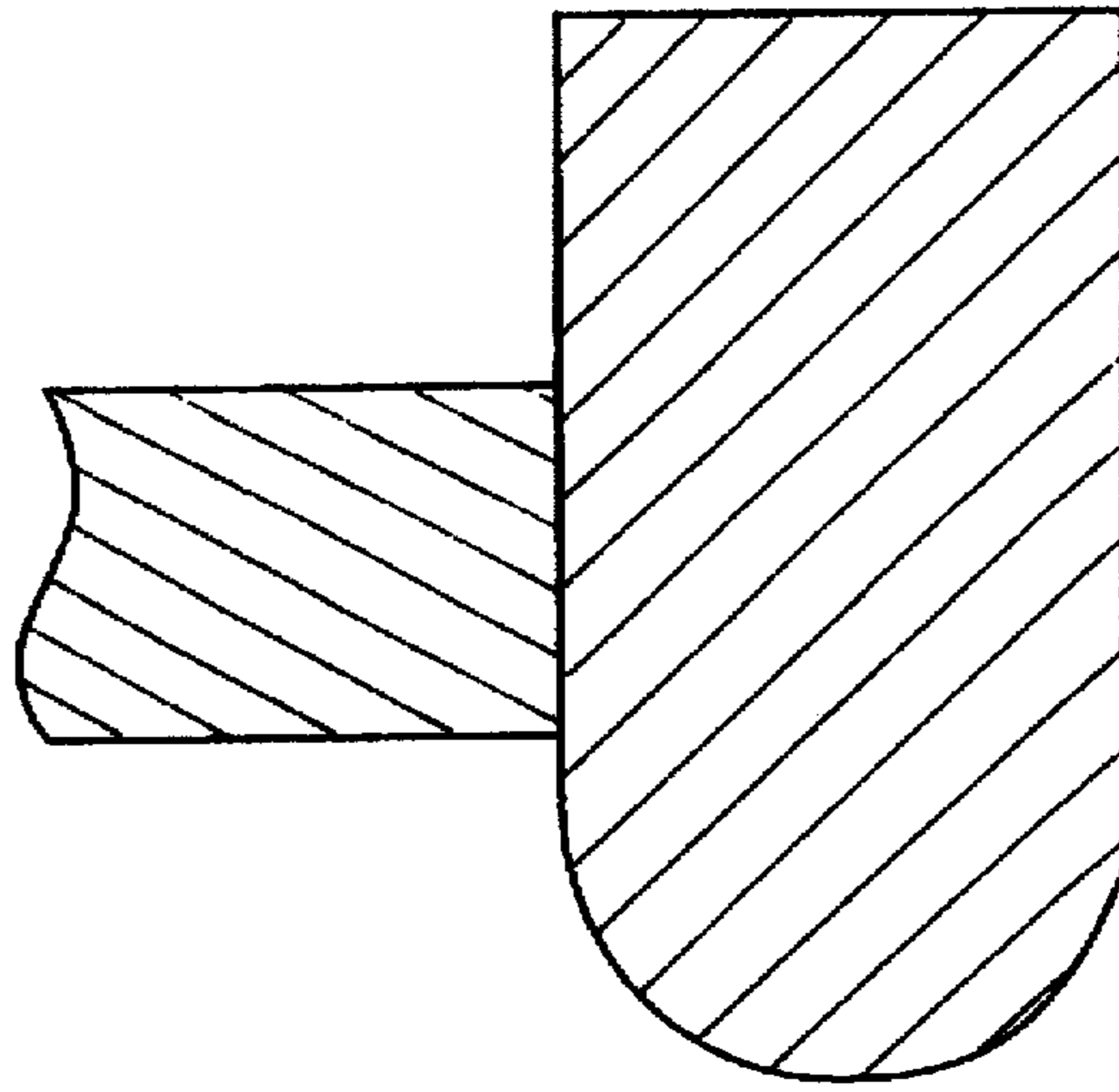


FIG - 9

