

US00D387219S

**United States Patent** [19]  
**Esslinger**

[11] **Patent Number: Des. 387,219**  
[45] **Date of Patent: \*\*Dec. 9, 1997**

[54] **WORKSTATION**

[75] **Inventor: Hartmut Esslinger, Los Gatos, Calif.**

[73] **Assignee: Deutsche Lufthansa AG, Germany**

[\*\*] **Term: 14 Years**

[21] **Appl. No.: 58,914**

[22] **Filed: Aug. 28, 1996**

[30] **Foreign Application Priority Data**

Mar. 4, 1996 [DE] Germany ..... 96 01 916

[51] **LOC (6) Cl. .... 06-04**

[52] **U.S. Cl. .... D6/427; D6/420; D6/425**

[58] **Field of Search .... D6/422-428, 400,  
D6/480, 484, 419, 420; 312/194-196; 108/5,  
6, 7, 8**

[56] **References Cited**

**U.S. PATENT DOCUMENTS**

D. 127,920 6/1941 Carlson ..... D6/420  
D. 134,727 1/1943 Weber ..... D6/422

D. 145,808 10/1946 La Pidus ..... D6/420  
D. 156,759 1/1950 Omo ..... D6/422  
D. 169,940 6/1953 Jacobson et al. .... D6/420  
D. 171,103 12/1953 Rainey ..... D6/420  
D. 193,559 9/1962 Barnes ..... D6/420  
D. 327,790 7/1992 Sharar ..... D6/422

*Primary Examiner*—Carmen H. Vales-Lado  
*Attorney, Agent, or Firm*—Schweitzer Cornman Gross & Bondell LLP

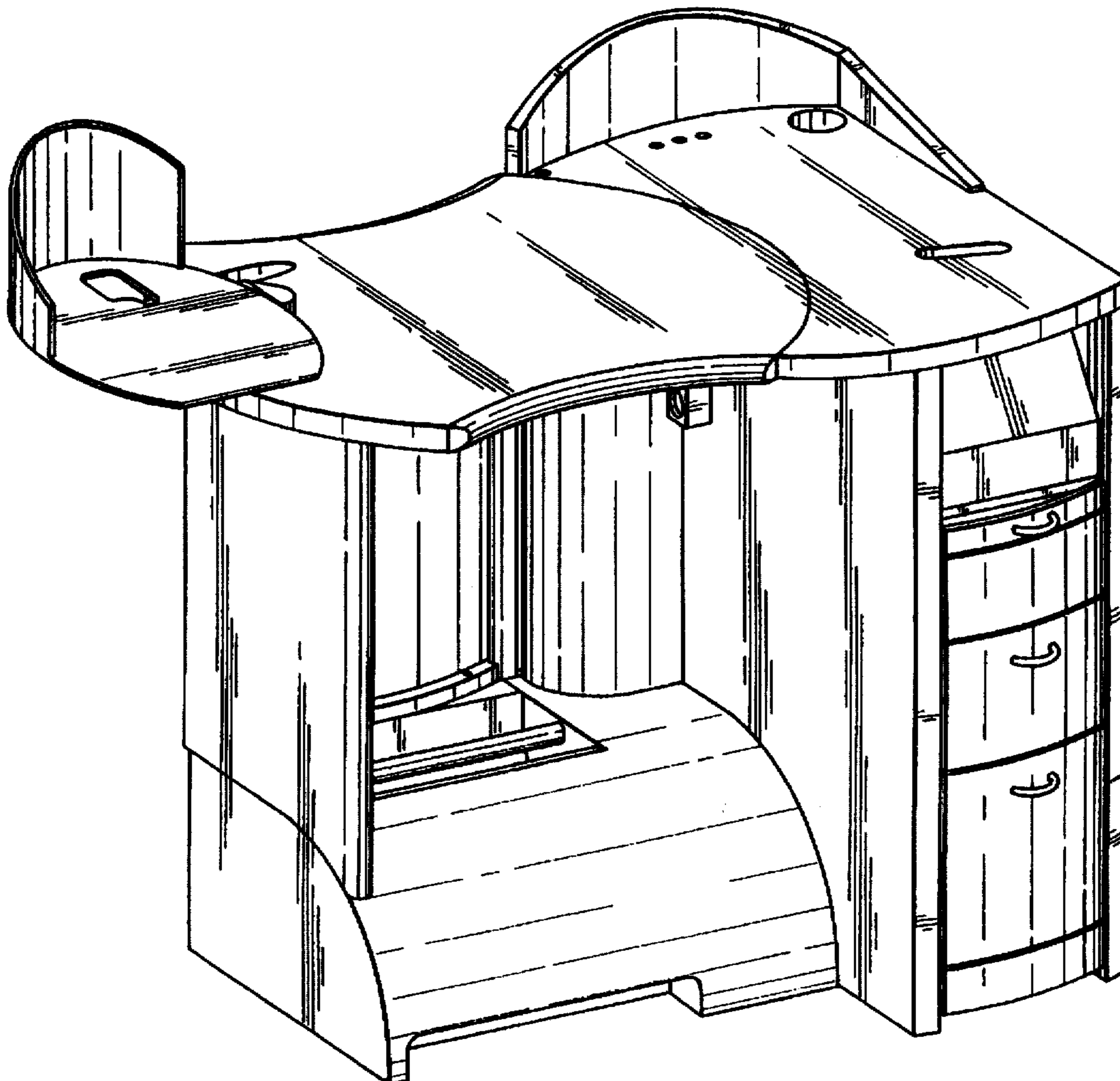
[57] **CLAIM**

The ornamental design for a workstation, as shown and described.

**DESCRIPTION**

FIG. 1 is a rear perspective view of a workstation showing my new design;  
FIG. 2 is a rear elevational view thereof;  
FIG. 3 is a left side elevational view thereof;  
FIG. 4 is a right side elevational view thereof;  
FIG. 5 is a front elevational view thereof;  
FIG. 6 is a top plan view thereof; and,  
FIG. 7 is a bottom plan view thereof.

**1 Claim, 7 Drawing Sheets**



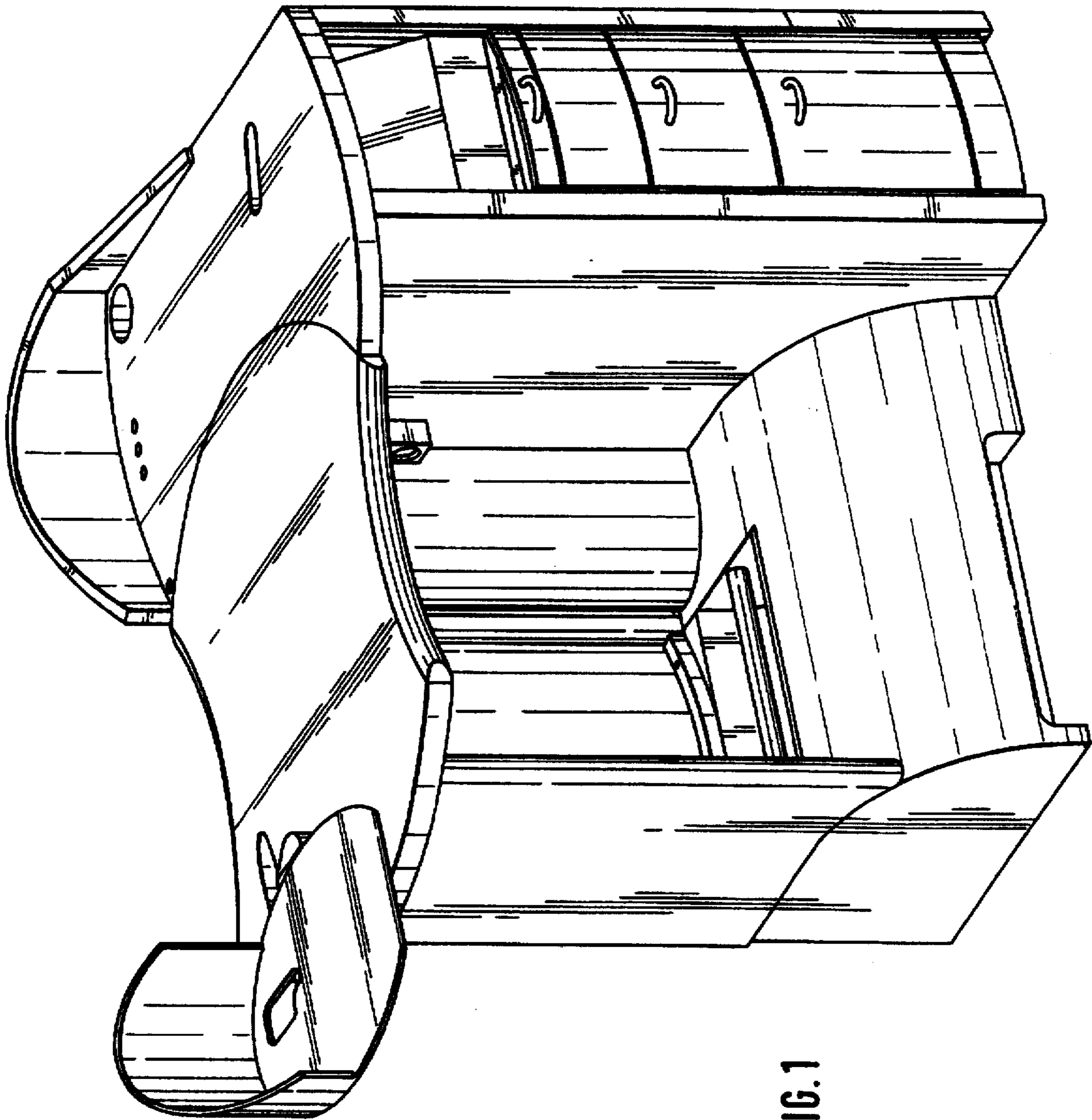


FIG. 1

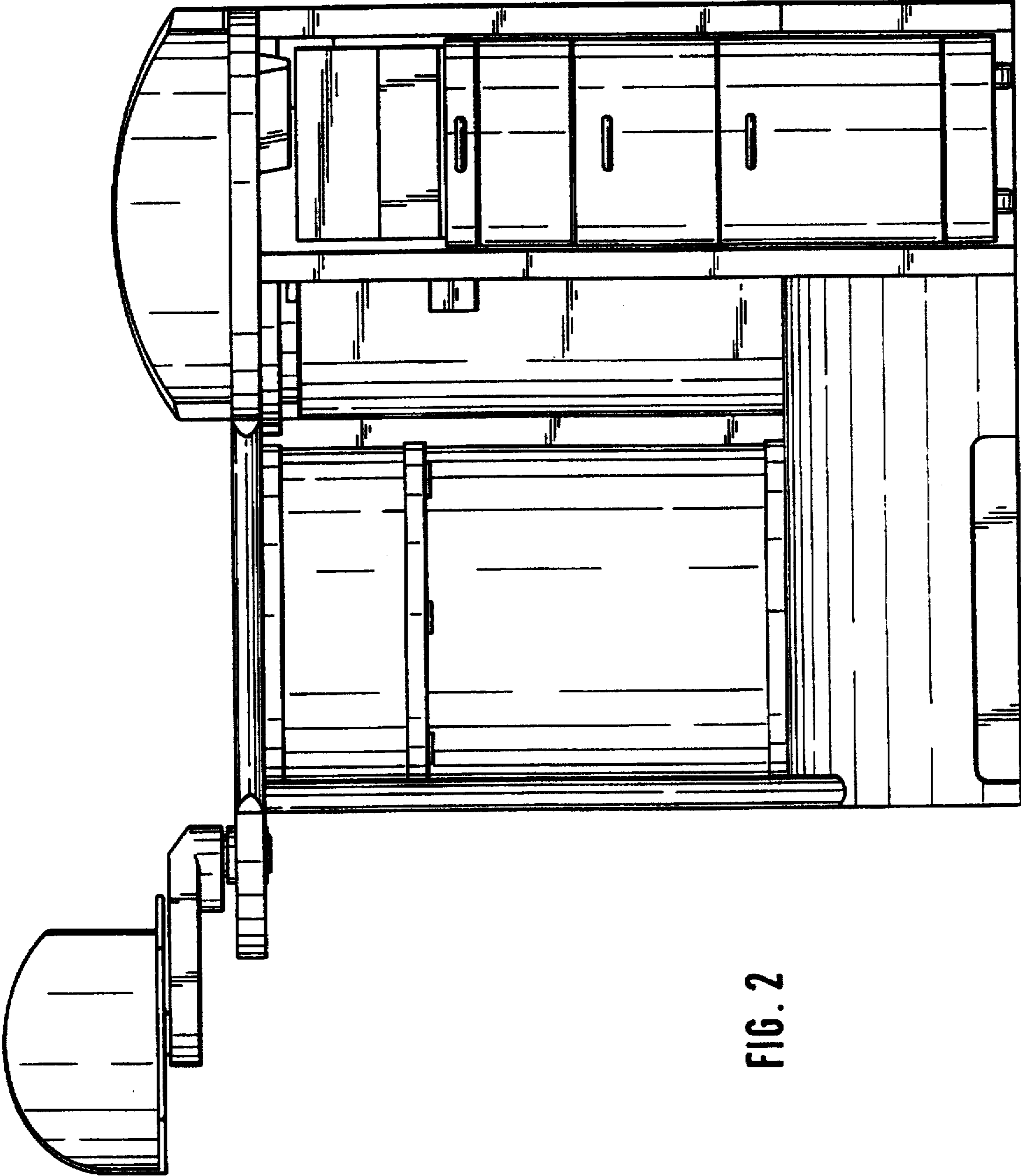


FIG. 2

FIG. 3

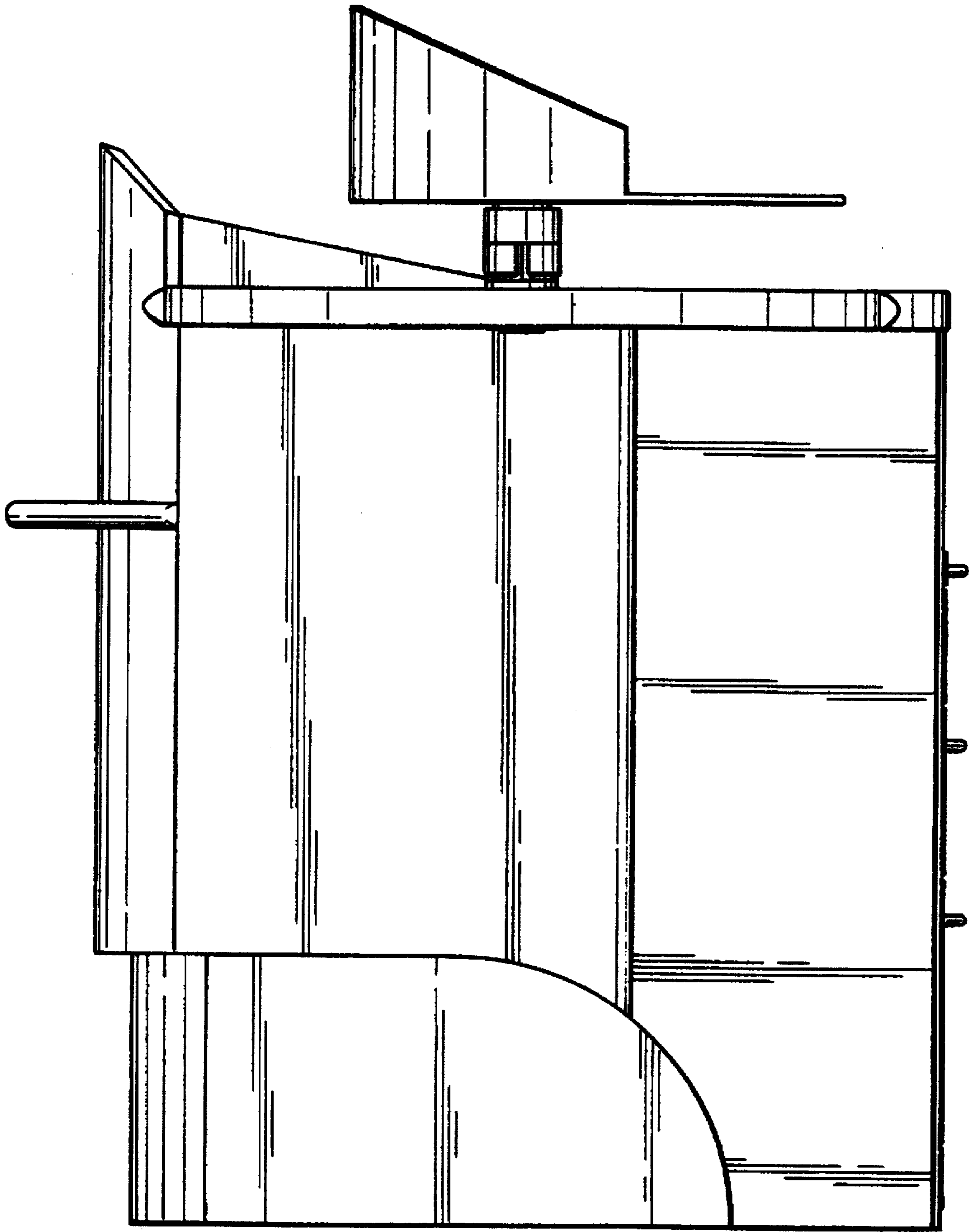
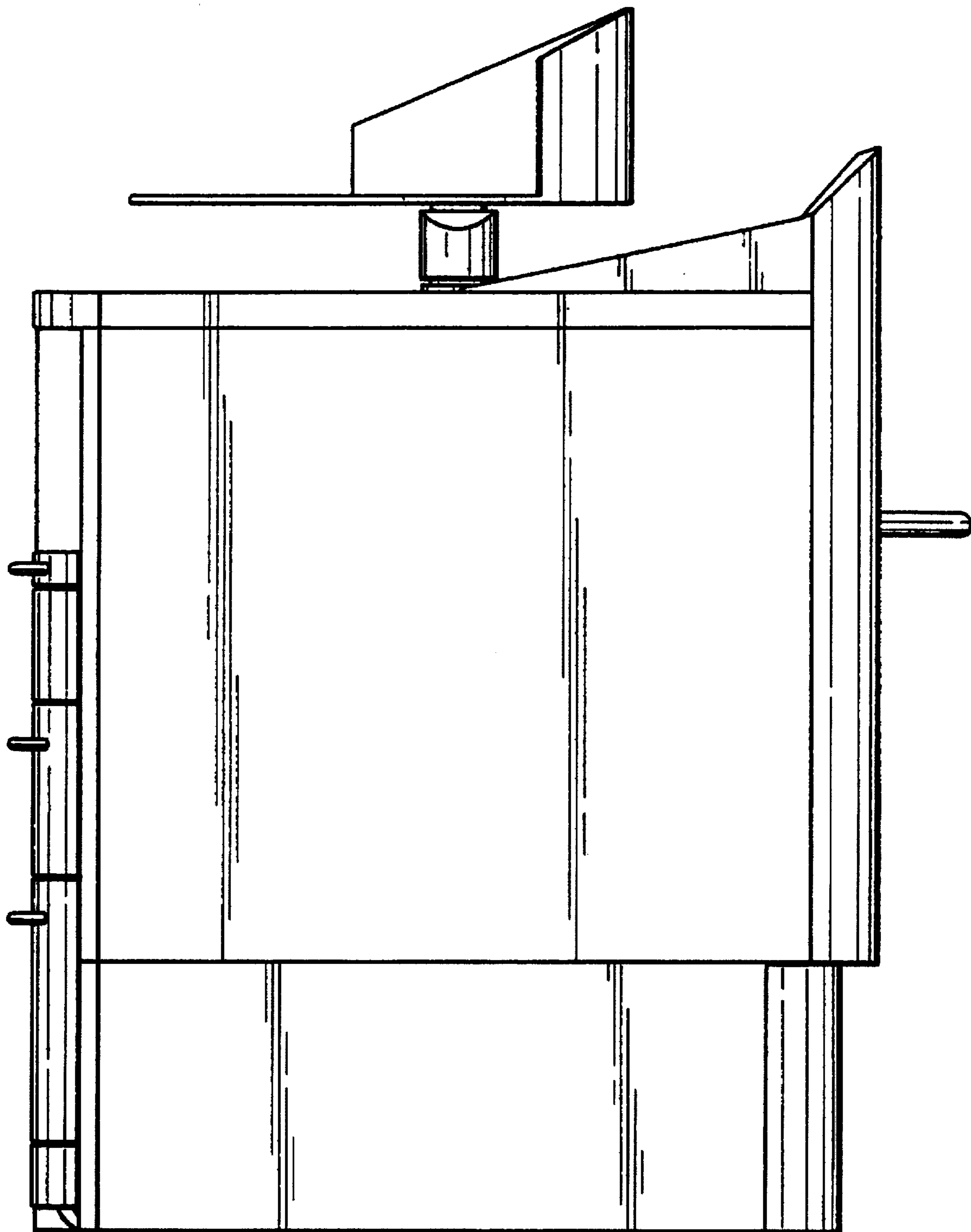


FIG. 4



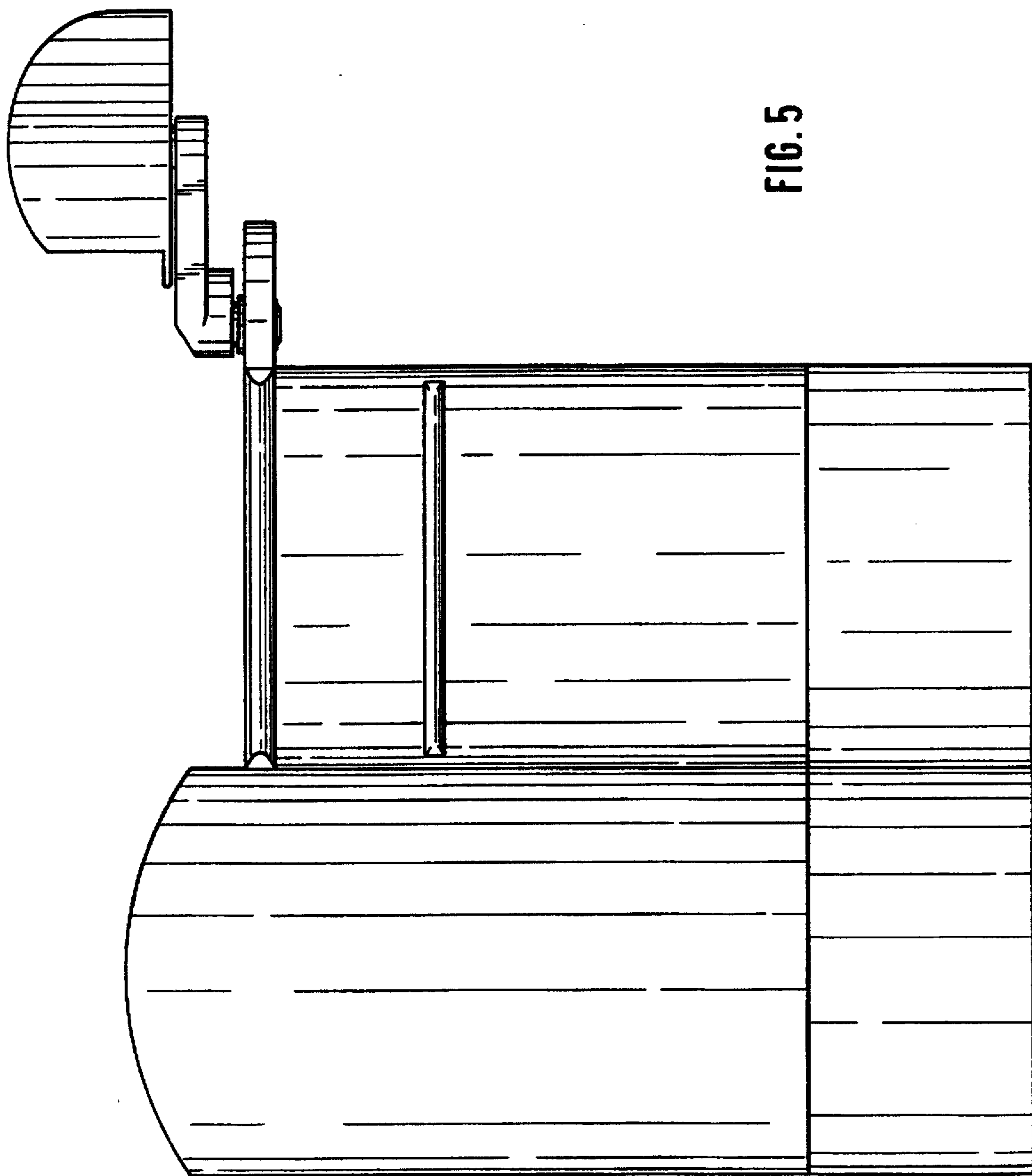
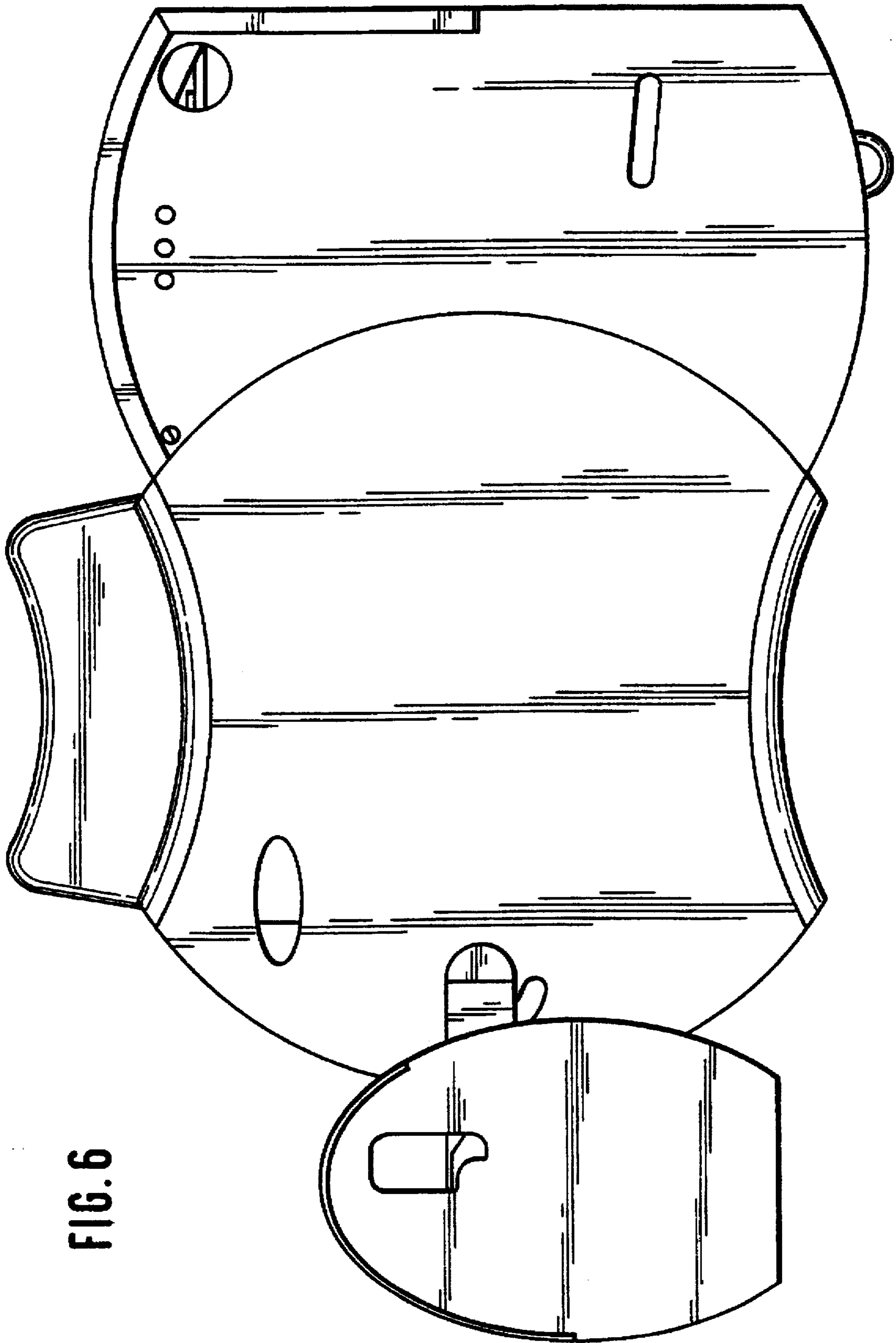


FIG. 5



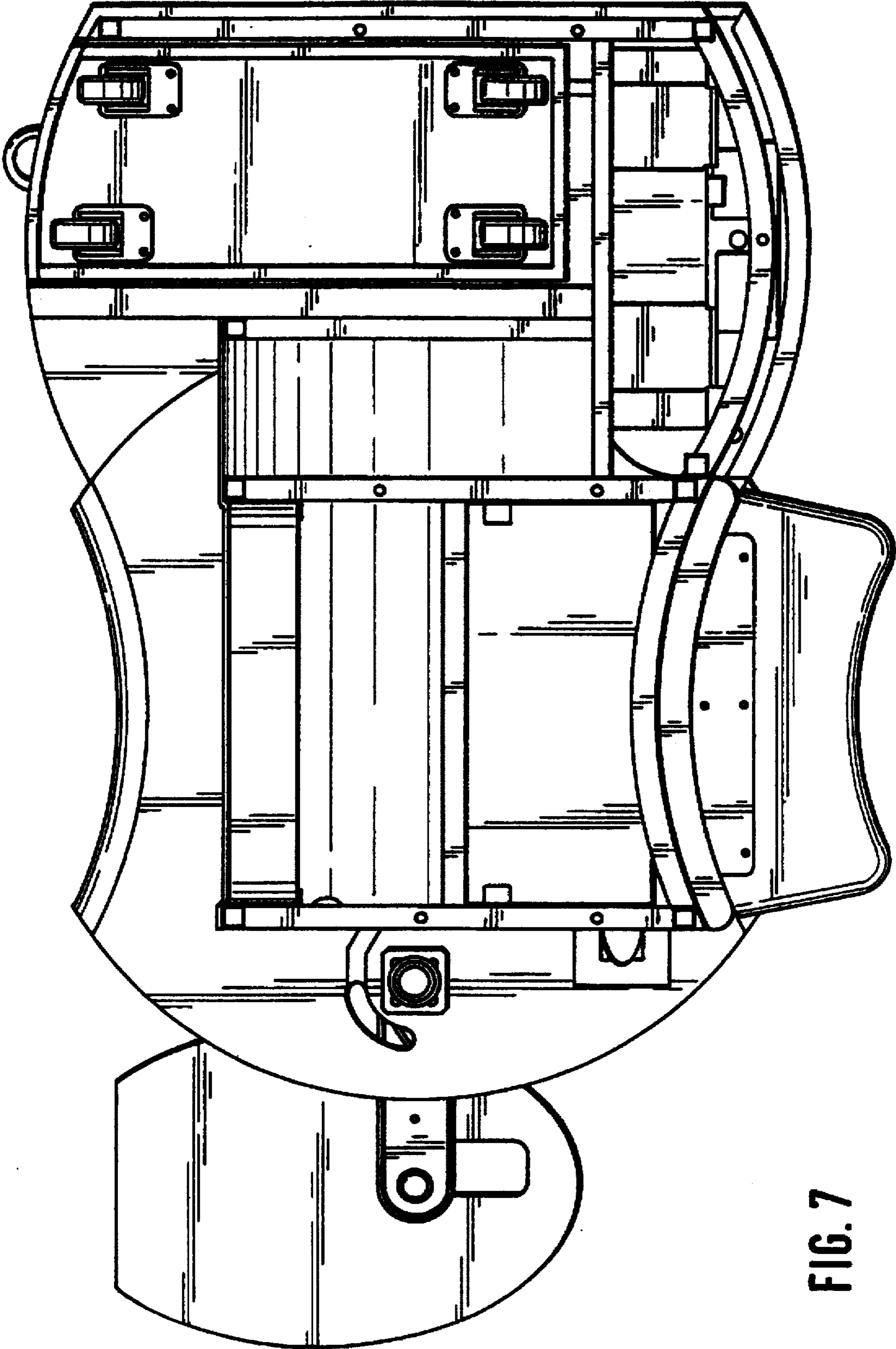


FIG. 7