

US00D387216S

United States Patent [19] Stone

[11] Patent Number: Des. 387,216

[45] Date of Patent: **Dec. 9, 1997

[54] PLANT STAND

[76] Inventor: Paula C. Stone, 1005 Riverside Trace,
NW., Atlanta, Ga. 30328

[**] Term: 14 Years

[21] Appl. No.: 53,881

[22] Filed: May 1, 1996

[51] LOC (6) Cl. 06-06

[52] U.S. Cl. D6/405; D6/403; D6/411

[58] Field of Search D6/403, 405, 458,
D6/462, 556, 411, 417, 465; D11/143, 144,
164; 47/66, 67, 82, 83, 39, 41.01, 44, 47;
206/423; 248/27.8, 121, 127, 156, 165;
211/71

[56] **References Cited**

U.S. PATENT DOCUMENTS

D. 298,460	11/1988	Pryor	D6/405 X
2,459,533	1/1949	Irvin	248/38
2,500,215	3/1950	Swearingen	248/46
2,502,040	3/1950	Franklin	248/44
2,671,624	3/1954	Carney	248/48
2,904,292	9/1959	Clouthier	248/44
4,101,036	7/1978	Craig	D6/458 X
4,111,471	9/1978	Hanley	D6/462 X
4,184,415	1/1980	Nicholson	D6/458 X

4,381,621	5/1983	Eby	47/40.5
4,399,973	8/1983	Spry et al.	248/524
4,569,151	2/1986	Hoffbeck	47/40.5
4,974,807	12/1990	Moineau	248/539
5,161,768	11/1992	Sarabin	248/525
5,454,187	10/1995	Wasserman	47/39

Primary Examiner—Caron D. Veynar
Attorney, Agent, or Firm—Thomas, Kayden, Horstemeyer
& Risley

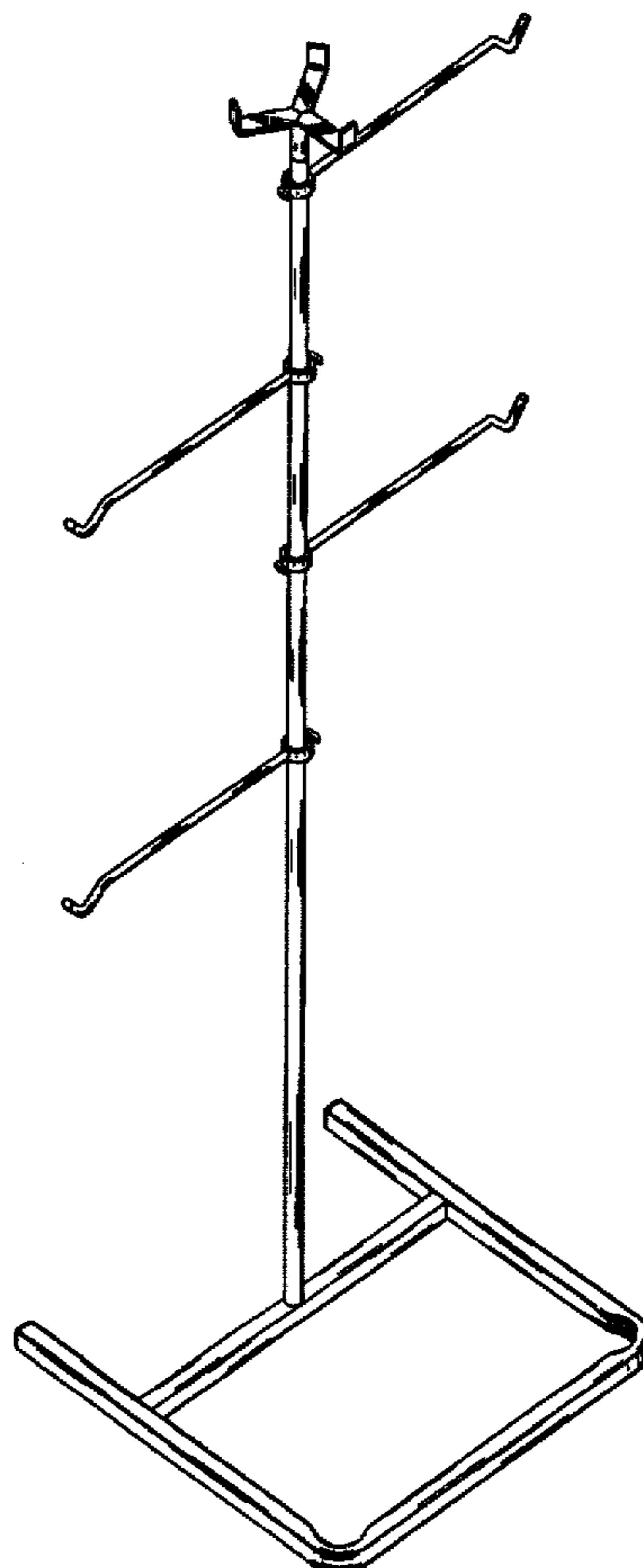
[57] **CLAIM**

The ornamental design for a plant stand, as shown.

DESCRIPTION

FIG. 1 is a perspective view of the plant stand of the present invention;
FIG. 2 is a top view of the plant stand of FIG. 1;
FIG. 3 is a bottom view of the plant stand of FIG. 1;
FIG. 4 is a front side elevational view of the plant stand of FIG. 1;
FIG. 5 is a left side elevational view of the plant stand of FIG. 1;
FIG. 6 is a right side elevational view of the plant stand of FIG. 1; and,
FIG. 7 is a rear side elevational view of the plant stand of FIG. 1.

1 Claim, 4 Drawing Sheets



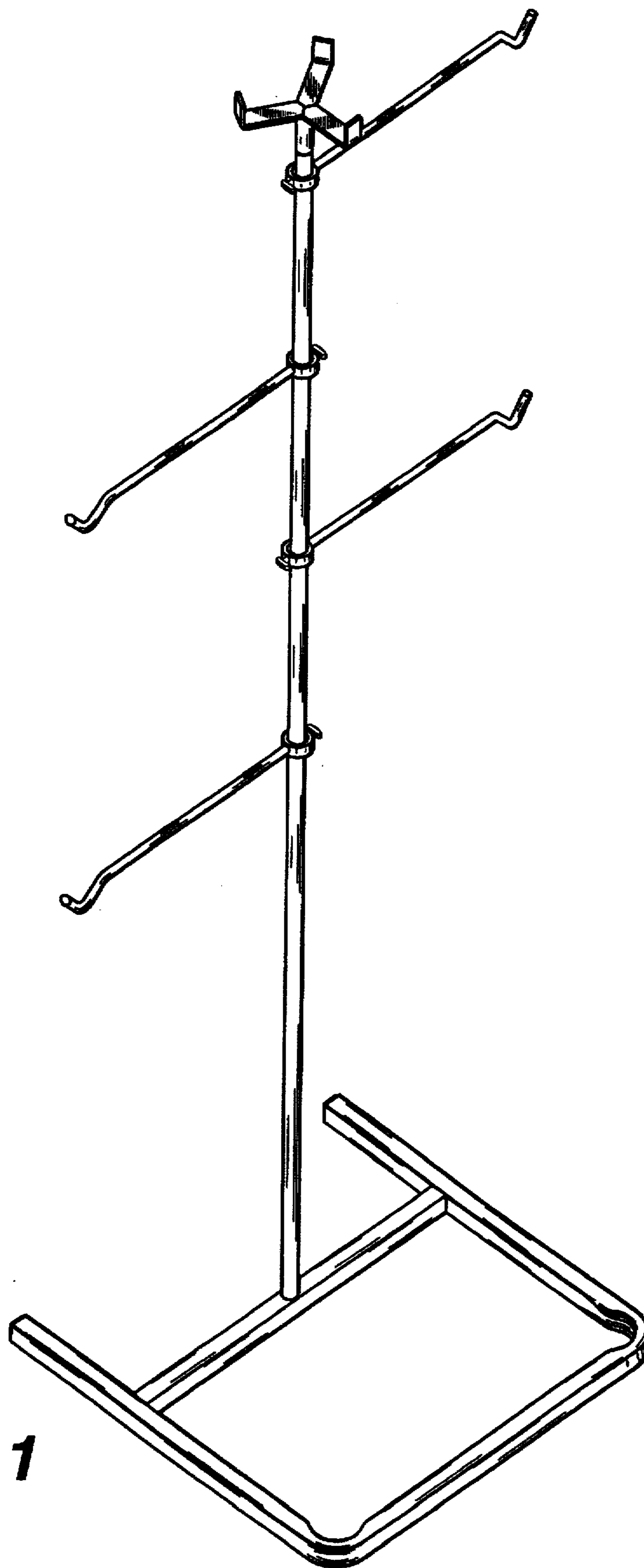


FIG. 1

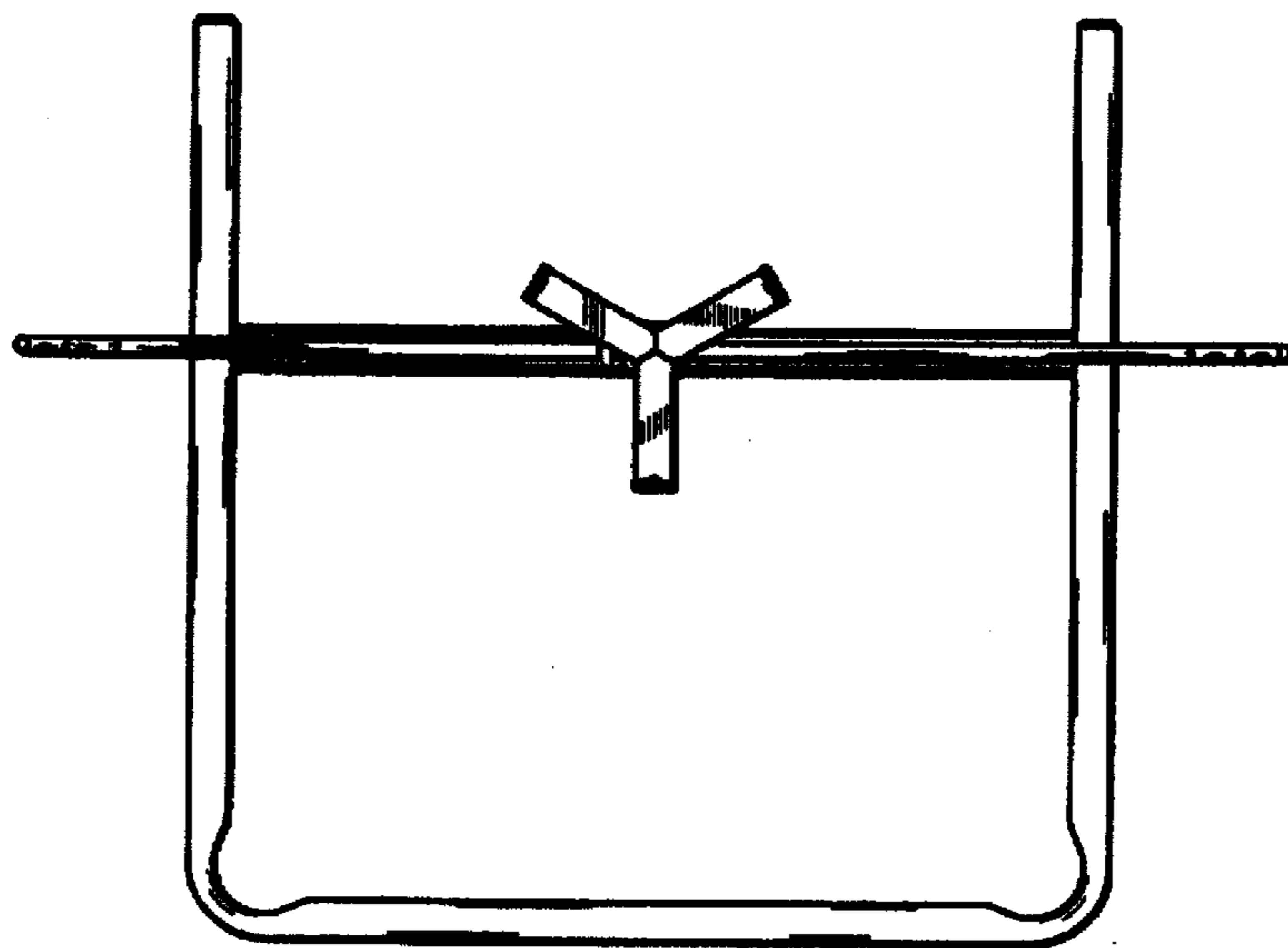


FIG. 2

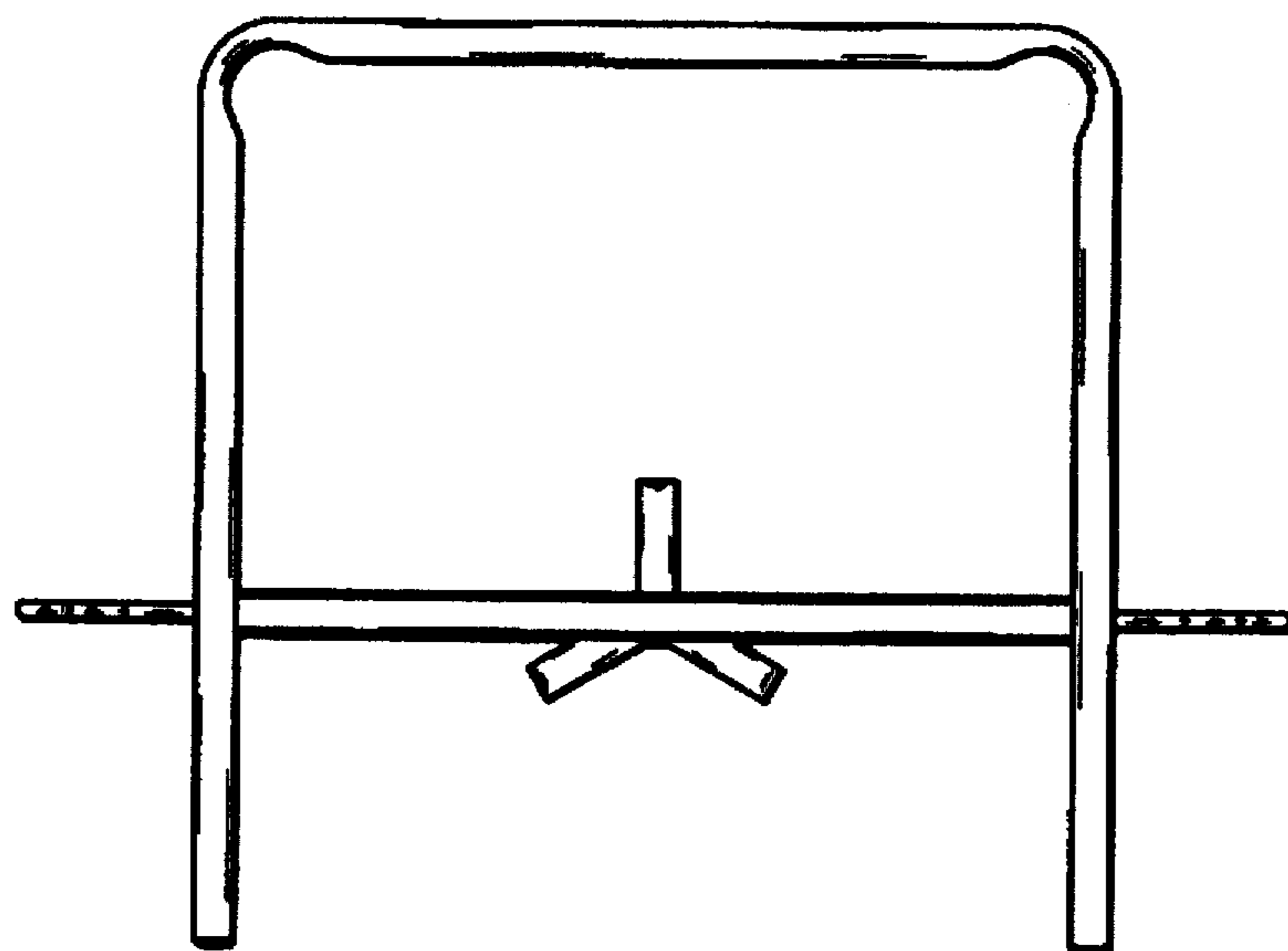


FIG. 3

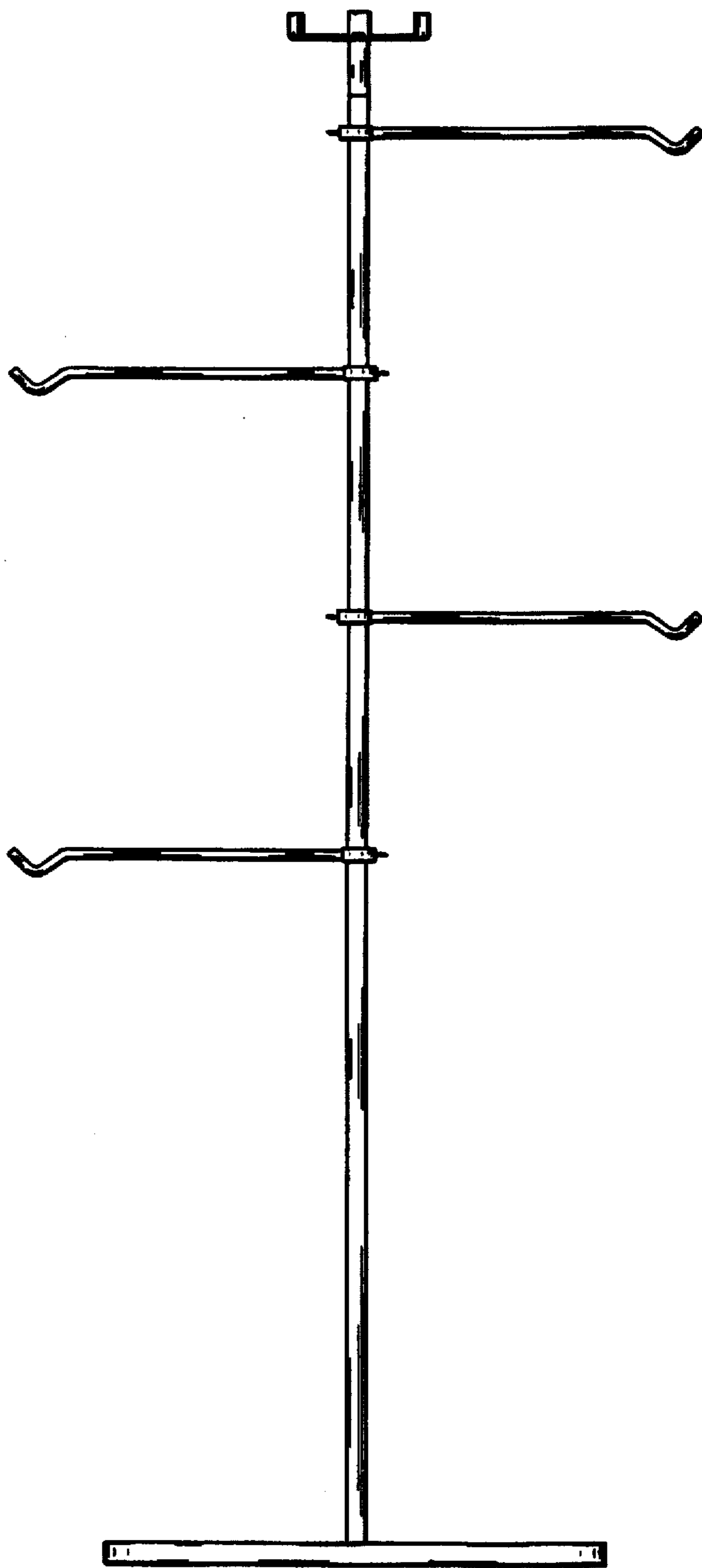


FIG. 4

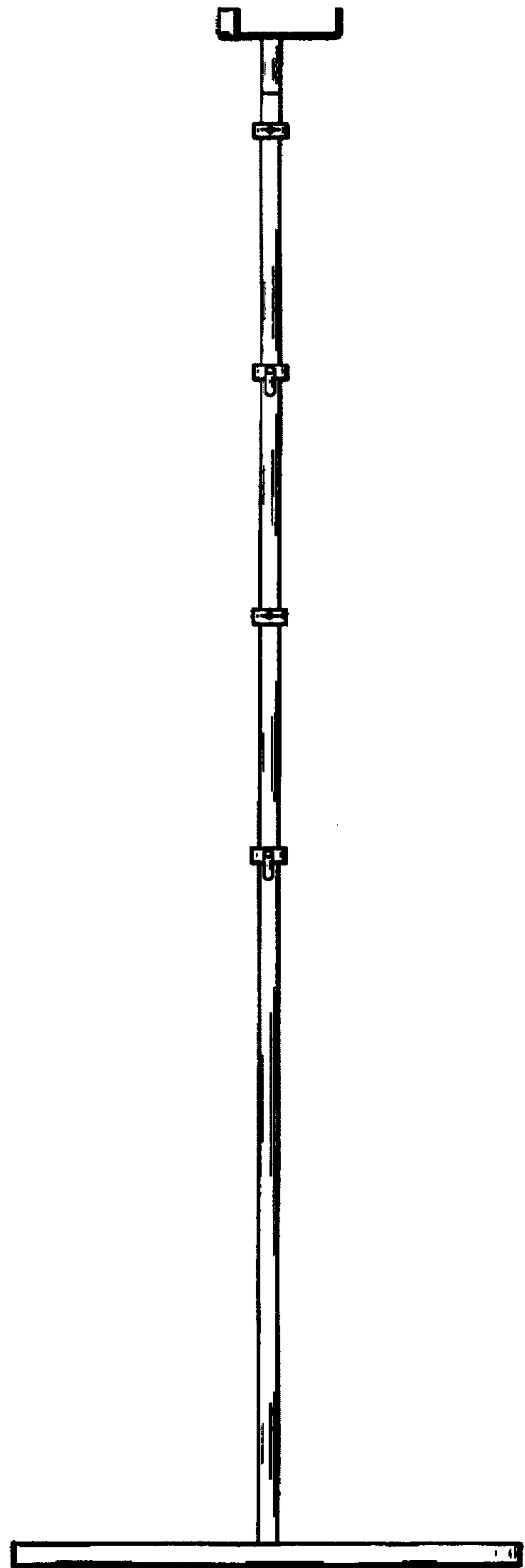


FIG. 5

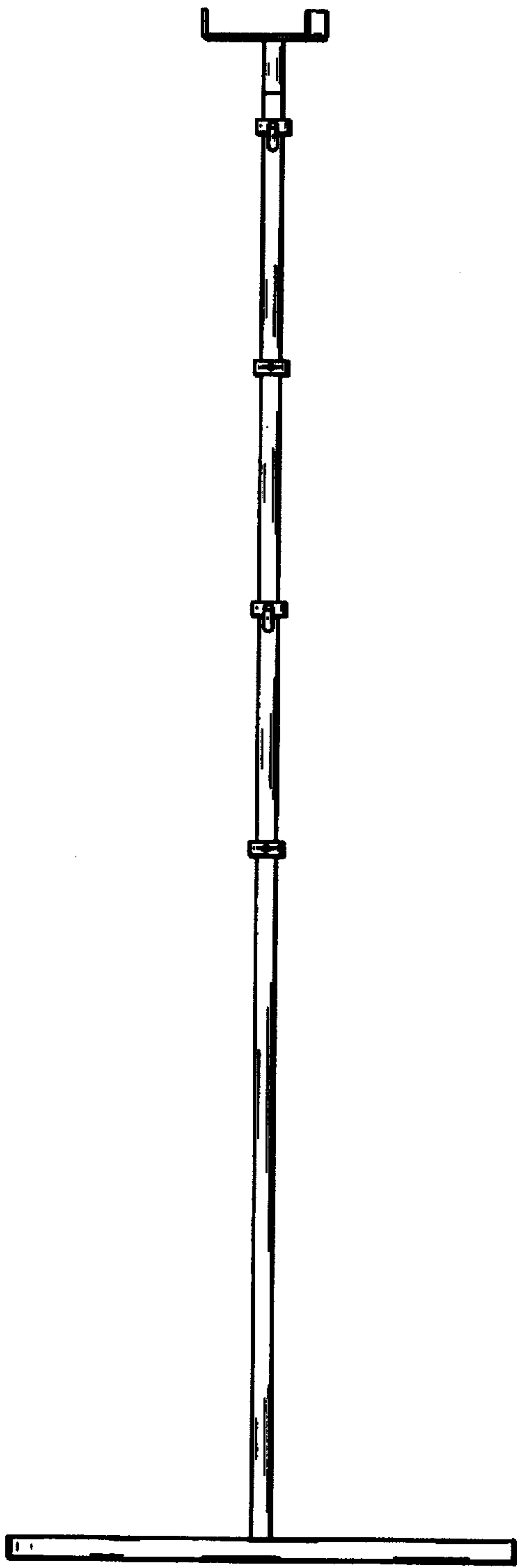


FIG. 6

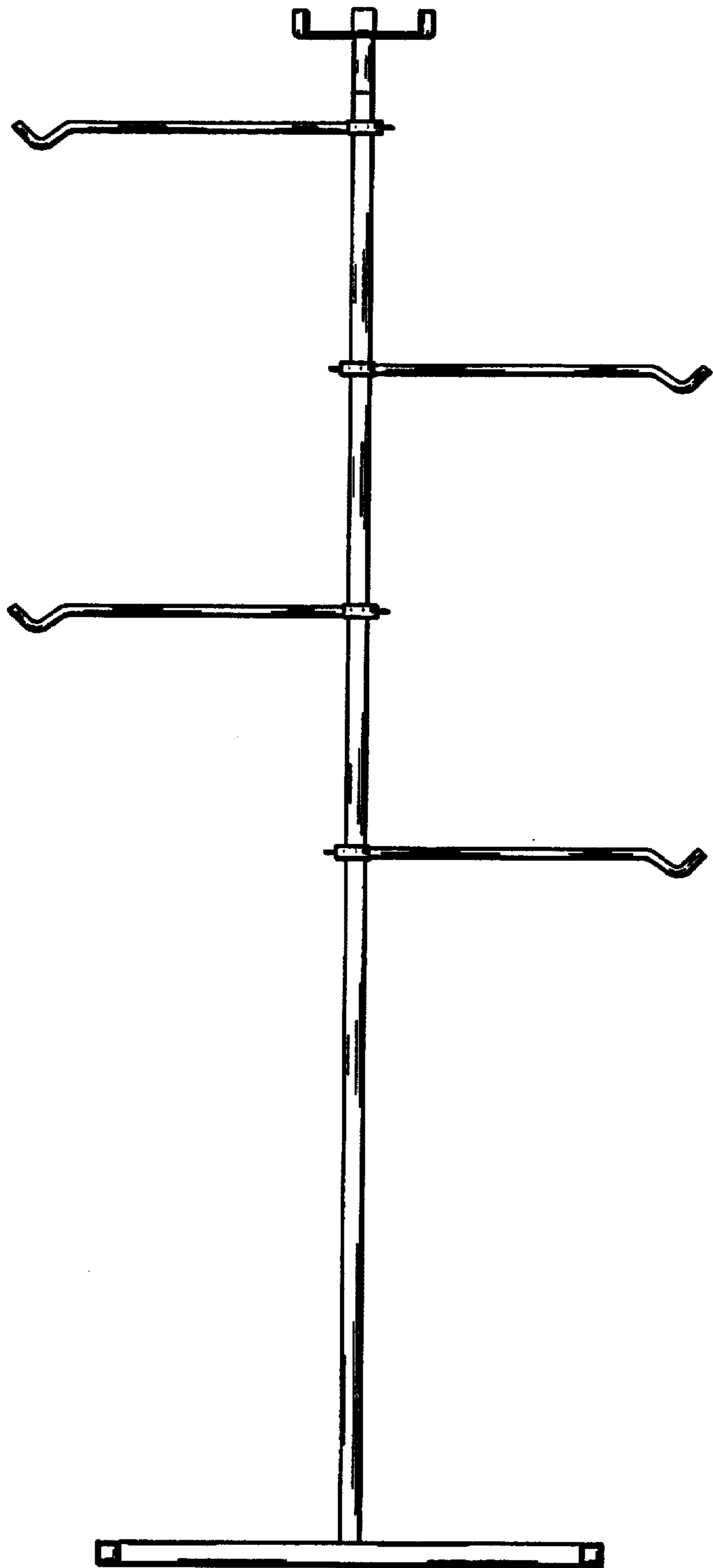


FIG. 7