



US00D387204S

United States Patent [19]
Nicholson

[11] **Patent Number:** **Des. 387,204**
[45] **Date of Patent:** ****Dec. 9, 1997**

[54] **TOOTHBRUSH WITH SNAP-ON, SNAP-OFF BRISTLE PORTION**

[76] **Inventor:** Jerome Nicholson, 4673 S. 37th St., St. Louis, Mo. 63116

[**] **Term:** 14 Years

[21] **Appl. No.:** 56,290

[22] **Filed:** Jun. 26, 1996

[51] **LOC (6) Cl.** 04-02

[52] **U.S. Cl.** D4/104; D4/121

[58] **Field of Search** D4/104-112, 121, D4/132, 134, 138; 601/141, 139; 15/143.1, 145, 159.1, 167.1, 167.2, 176.1, 176.6, 186, 187; 132/308, 309

[56] **References Cited**

U.S. PATENT DOCUMENTS

D. 240,677	7/1976	Thompson	D4/104
D. 351,733	10/1994	Maekawa et al.	D4/104
3,271,805	9/1966	Sawyer	15/176.1
5,058,230	10/1991	Hodosh et al.	15/167.1

Primary Examiner—Alan P. Douglas
Assistant Examiner—Lavone D. Tabor
Attorney, Agent, or Firm—Polster, Lieder, Woodruff & Lucchesi

[57] **CLAIM**

The ornamental design for a toothbrush with snap-on, snap-off bristle portion, as shown and described.

DESCRIPTION

FIG. 1 is a perspective view of a toothbrush of the present invention;

FIG. 2 is a side elevational view of the toothbrush, the opposite side being a mirror image;

FIG. 3 is a top plan view of the toothbrush;

FIG. 4 is a bottom plan view of the toothbrush;

FIG. 5 is an exploded view of the toothbrush;

FIG. 6 is an end view of the snap-on, snap-off bristle portion of the toothbrush;

FIG. 7 is an end view of the handle portion of the toothbrush in which the bristle end is inserted;

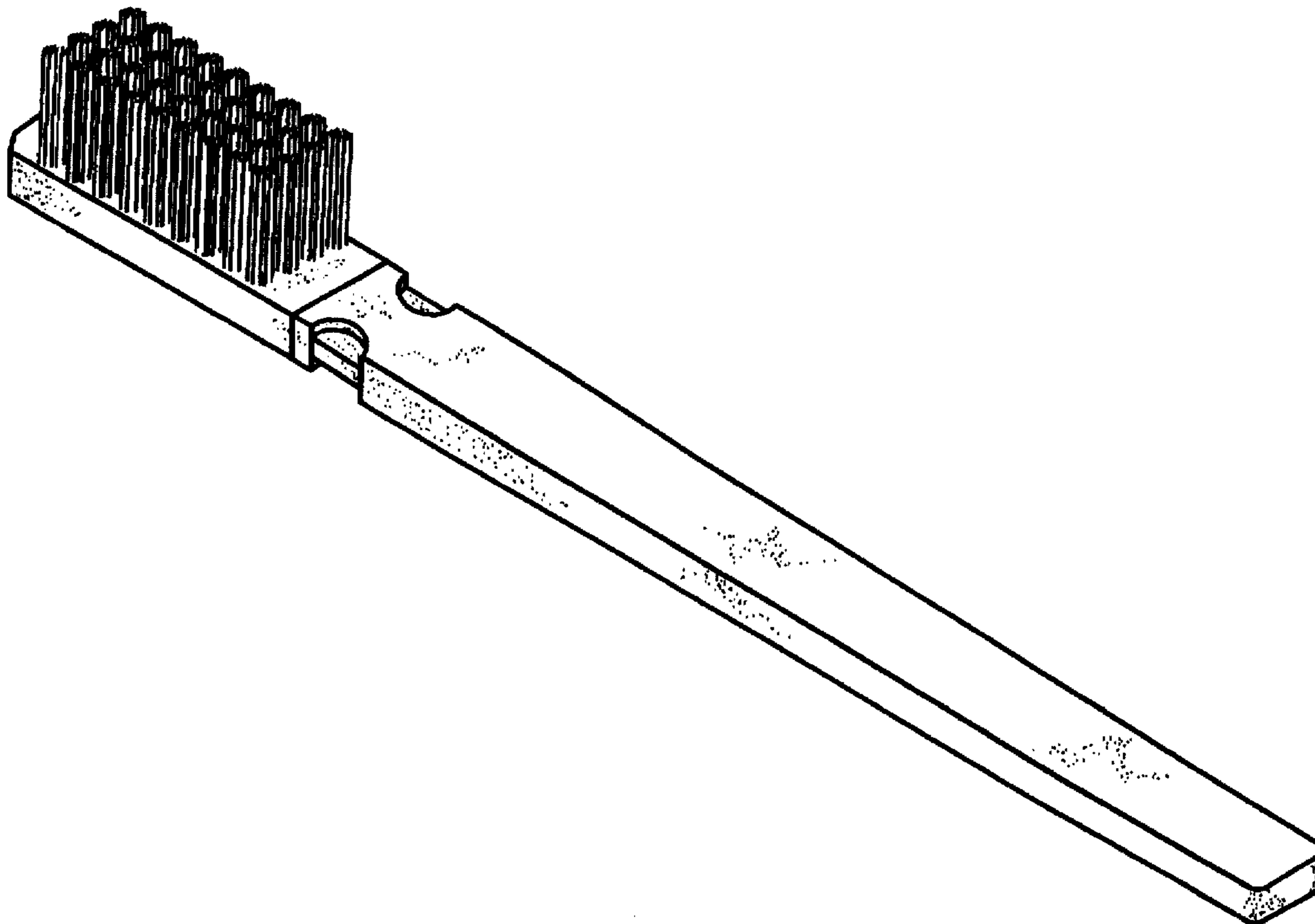
FIG. 8 is an opposite end view of the snap-on, snap-off portion of the toothbrush;

FIG. 9 is a top plan view of the snap-on, snap-off portion of the toothbrush; and,

FIG. 10 is a bottom plan view of the snap-on, snap-off portion of the toothbrush.

The bristled head and handle portions are shown separately in FIGS. 6-10 for clarity of illustration only.

1 Claim, 1 Drawing Sheet



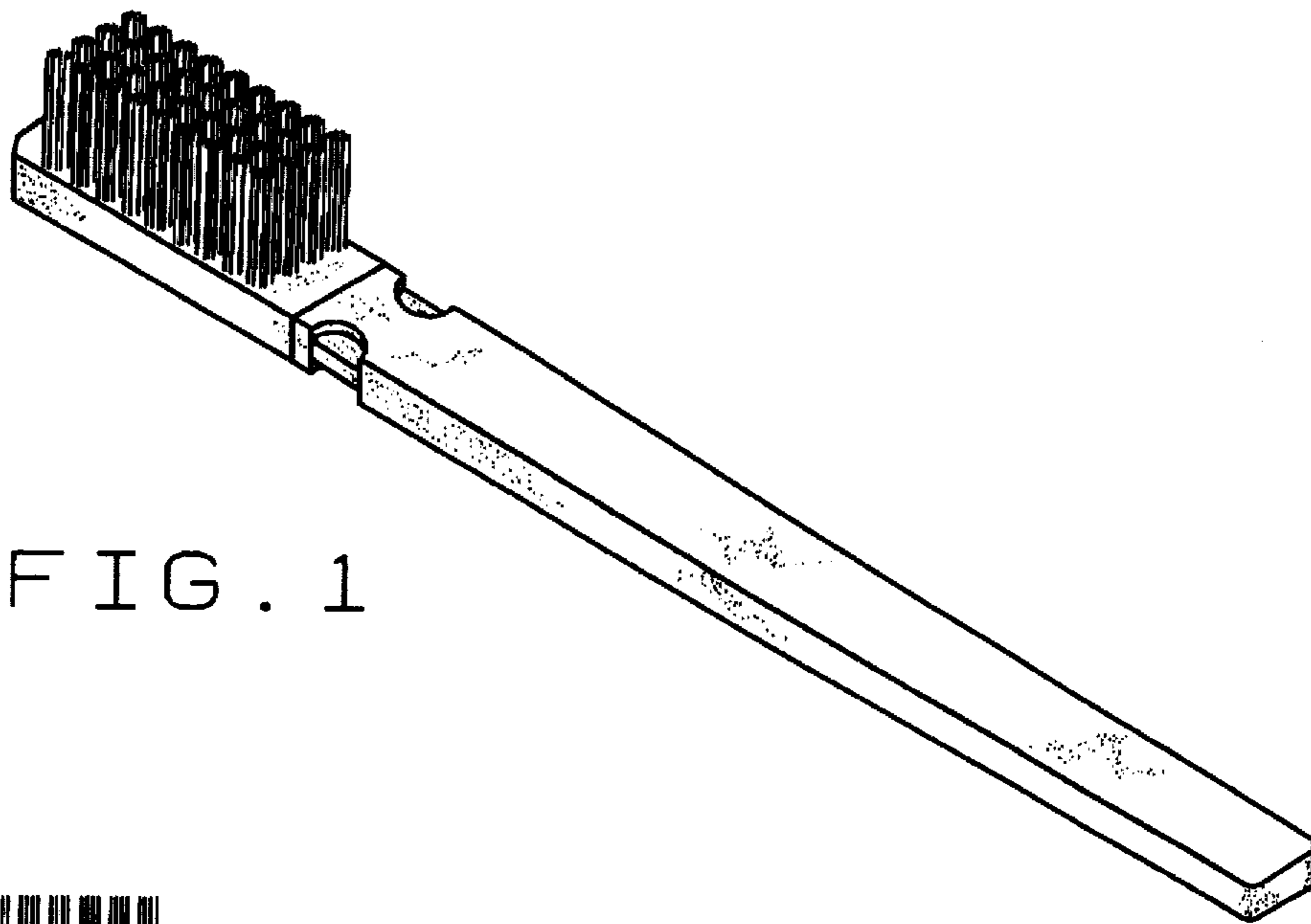


FIG. 1

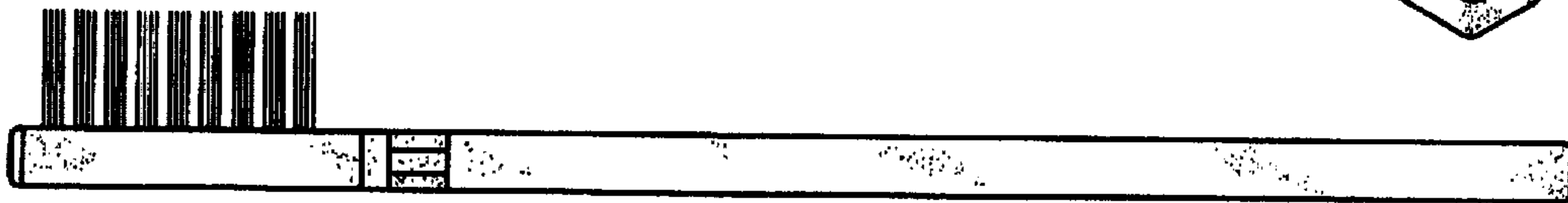


FIG. 2

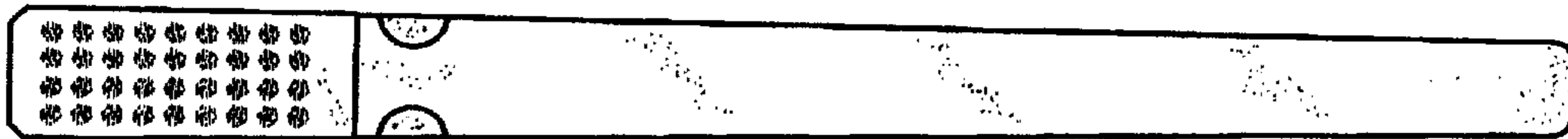


FIG. 3

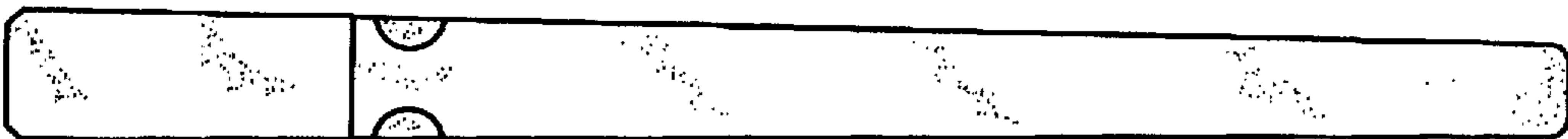


FIG. 4

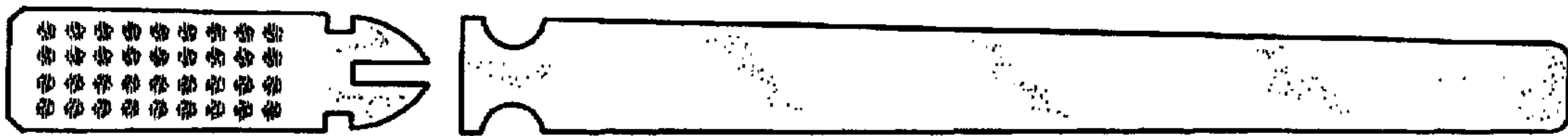


FIG. 5

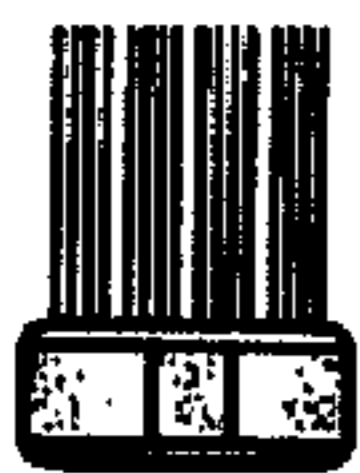


FIG. 6



FIG. 7



FIG. 8

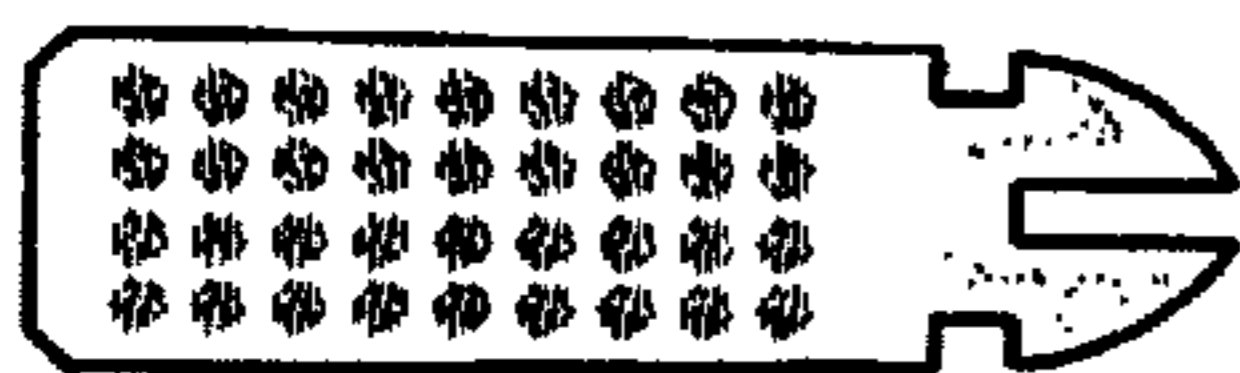


FIG. 9

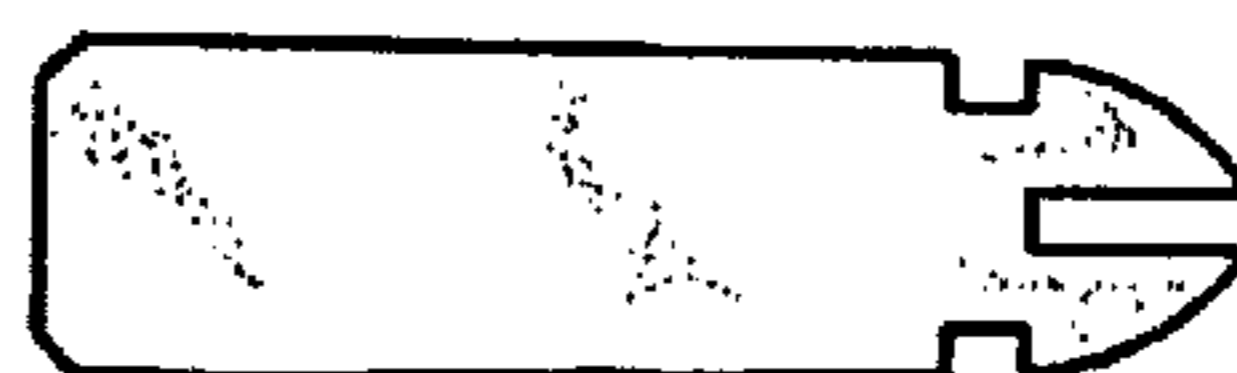


FIG. 10