



US00D387199S

# United States Patent [19]

Nagele et al.

[11] Patent Number: **Des. 387,199**

[45] Date of Patent: **\*\*Dec. 9, 1997**

[54] **CASE FOR PORTABLE COMMUNICATIONS EQUIPMENT**

4,901,852 2/1990 King ..... 224/240 X

[75] Inventors: **Albert L. Nagele, Wilmette; Scott Robert Wilcox, Chicago, both of Ill.**

*Primary Examiner*—Doris V. Coles  
*Assistant Examiner*—Catherine R. Oliver  
*Attorney, Agent, or Firm*—John J. King

[73] Assignee: **Motorola, inc., Schaumburg, Ill.**

[57] **CLAIM**

[\*\*] Term: **14 Years**

The ornamental design for a case for portable communications equipment, as shown and described.

[21] Appl. No.: **44,614**

**DESCRIPTION**

[22] Filed: **Sep. 27, 1995**

[51] LOC (6) CL. .... **03-01**

[52] U.S. Cl. .... **D3/218**

[58] Field of Search ..... D3/218, 215; D14/138, D14/251, 253; 224/151, 236, 240, 252, 253, 904, 913

FIG. 1 is a rear and left side perspective view of the case for portable communications equipment showing our new design;

FIG. 2 is a top plan view thereof;

FIG. 3 is a right side elevational view thereof;

FIG. 4 is a front view thereof; and,

FIG. 5 is a rear and left side perspective view of the case for a portable communications equipment.

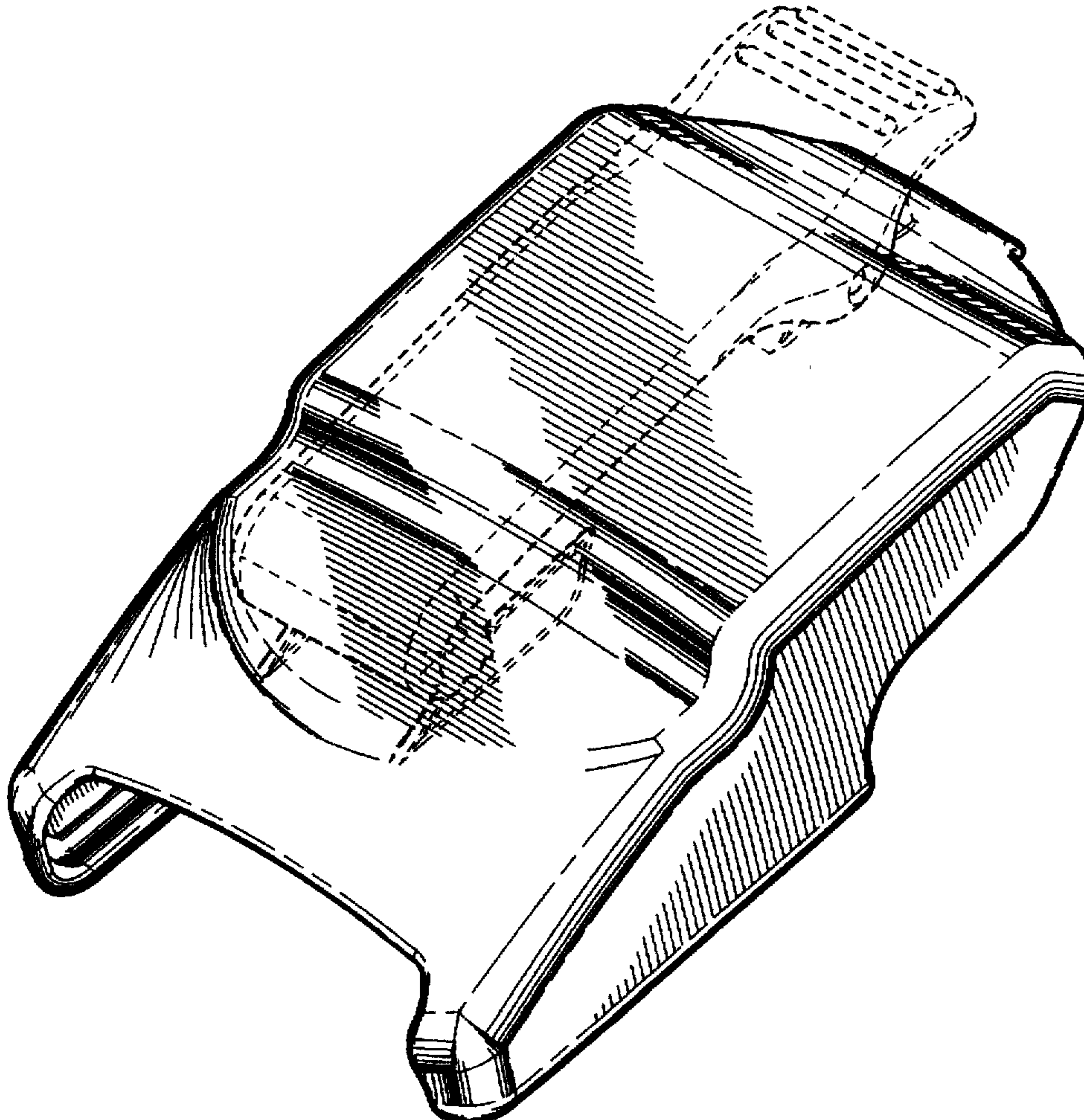
The broken line showing of a belt clip in FIGS. 1, 2 and 3 is for illustrative purposes only and forms no part of the claimed design.

[56] **References Cited**

**U.S. PATENT DOCUMENTS**

- D. 329,945 10/1992 Benskin ..... D3/218
- D. 354,620 1/1995 King et al. .... D3/218
- 4,896,805 1/1990 Klaczak et al. .... 224/151 X

**1 Claim, 3 Drawing Sheets**



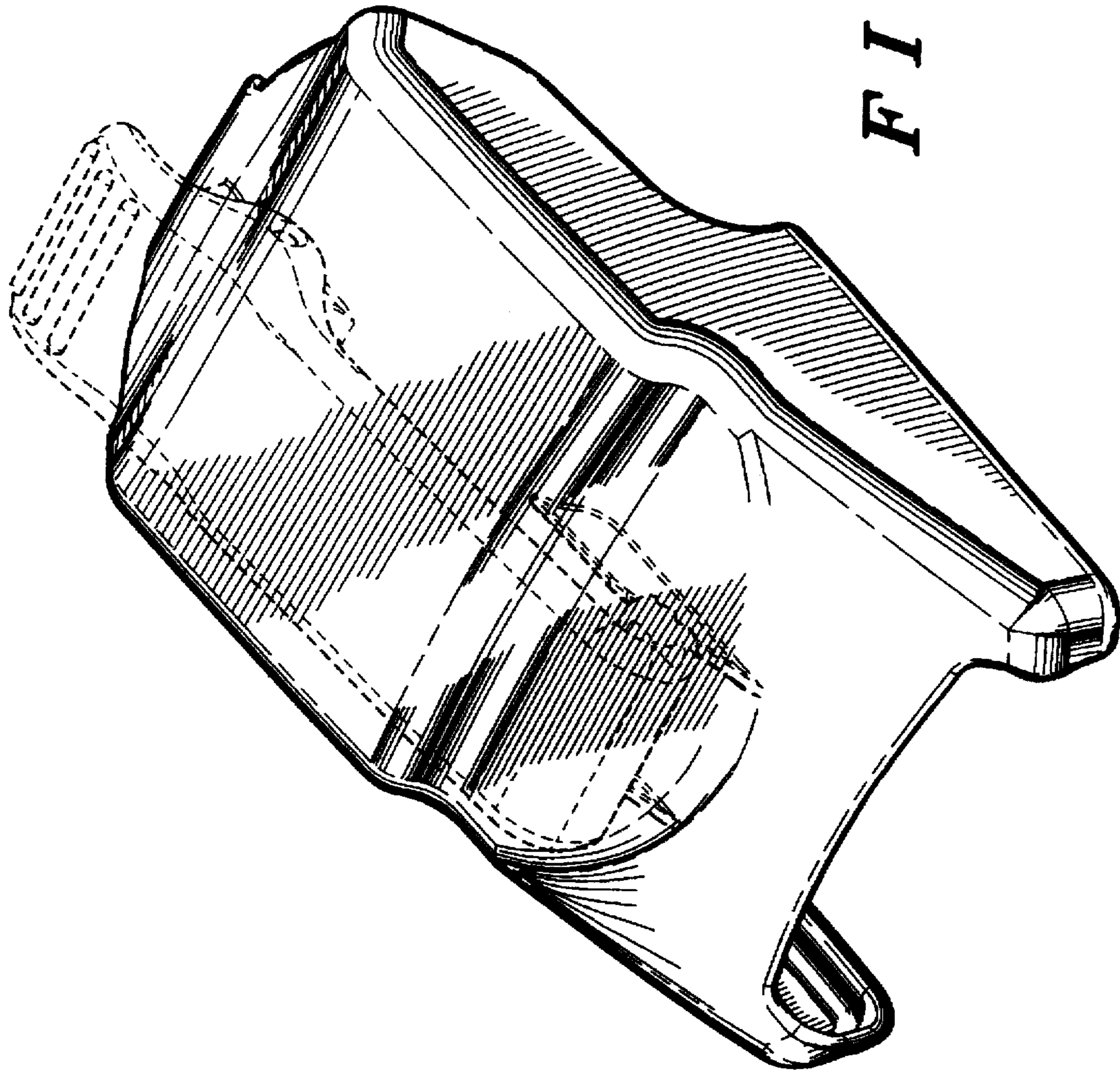
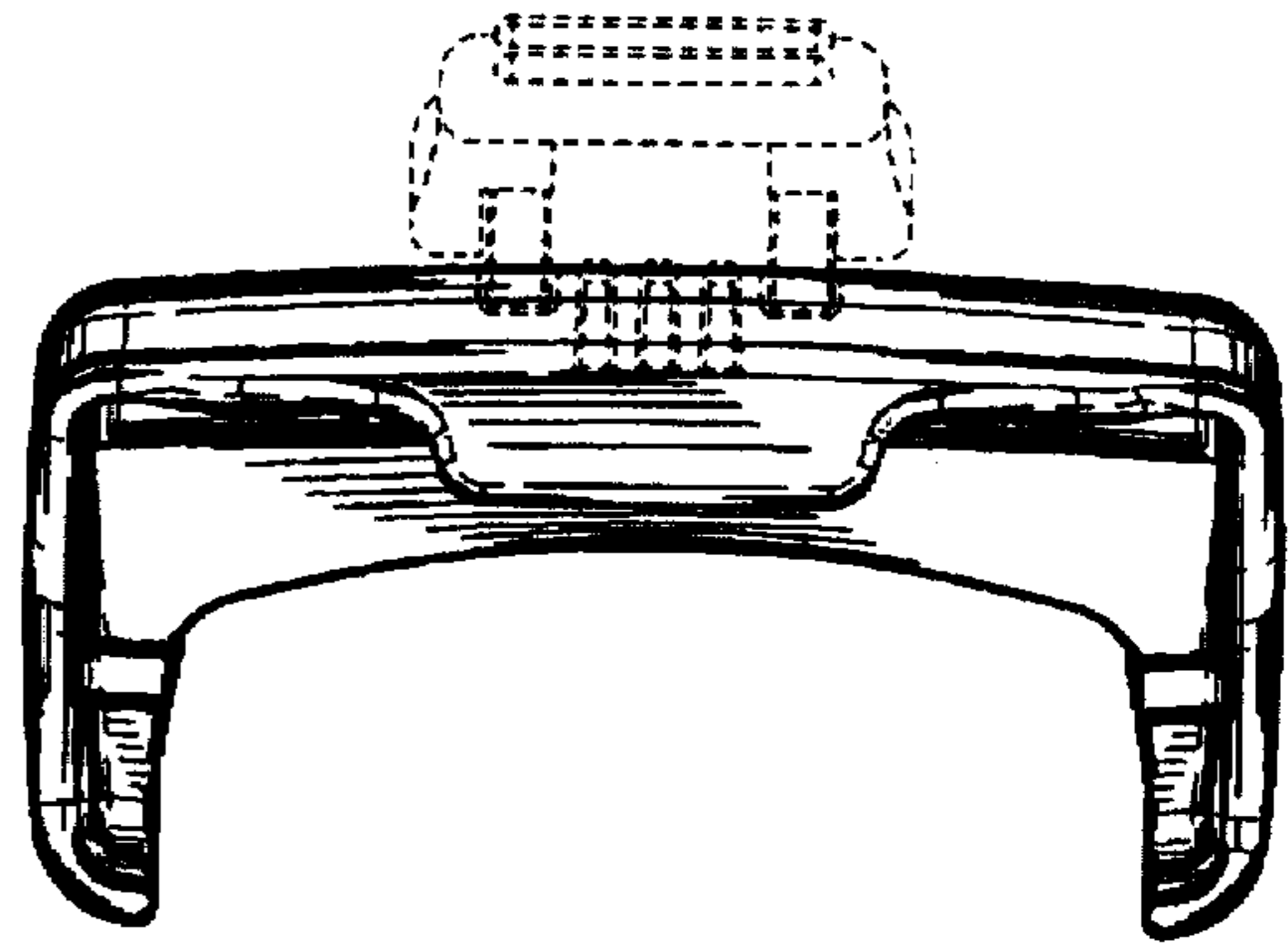
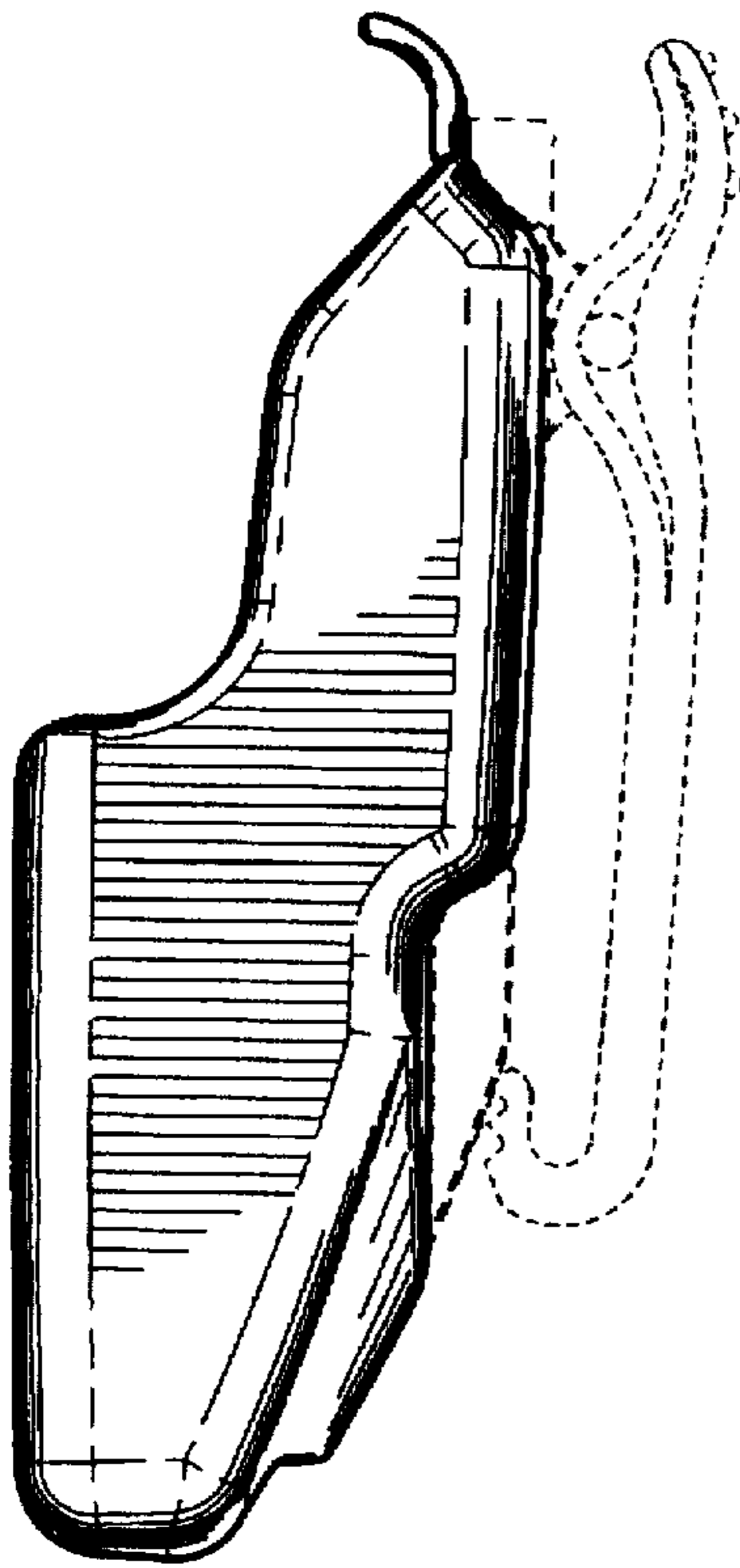


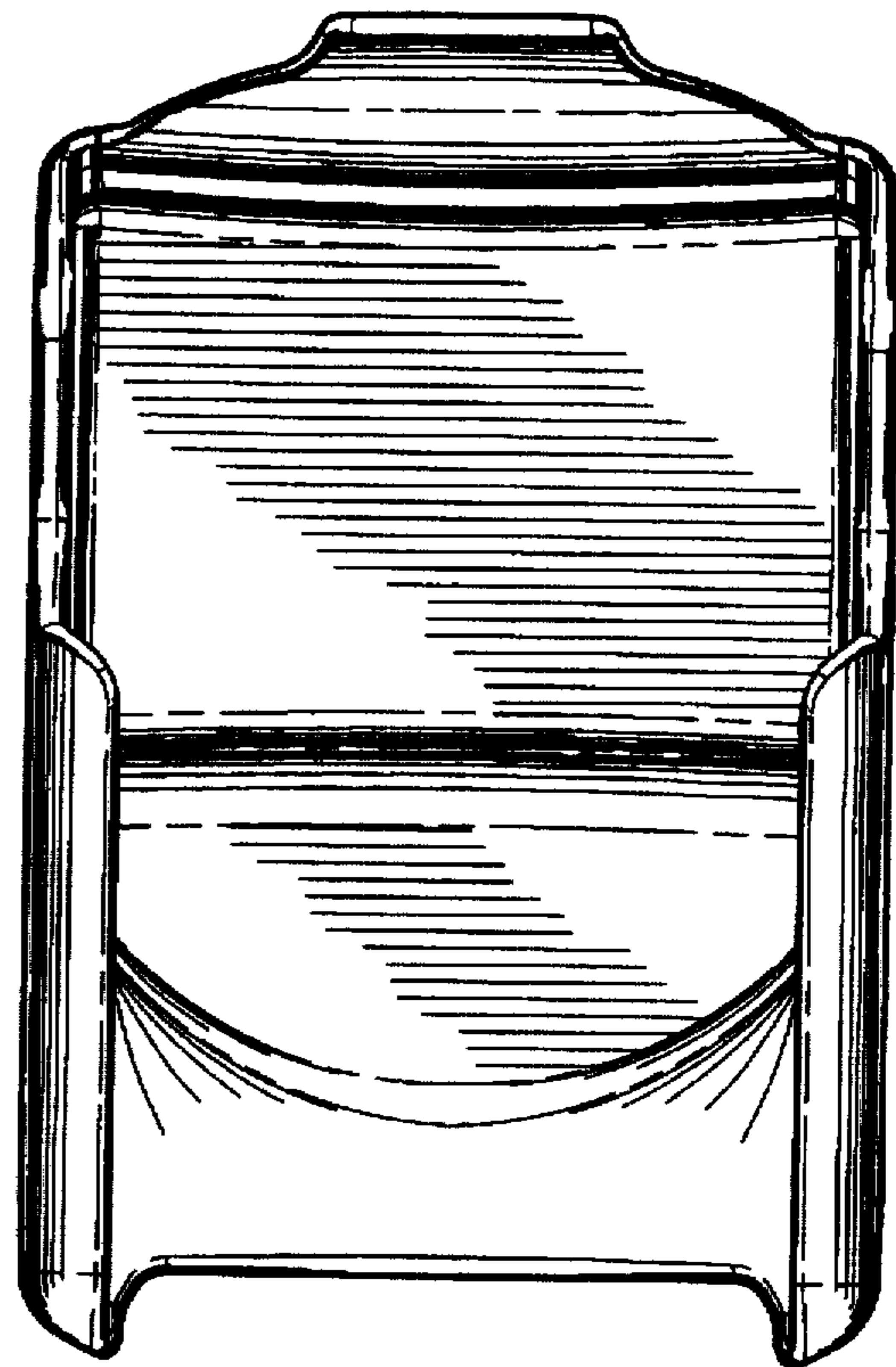
FIG. 1



*FIG. 2*

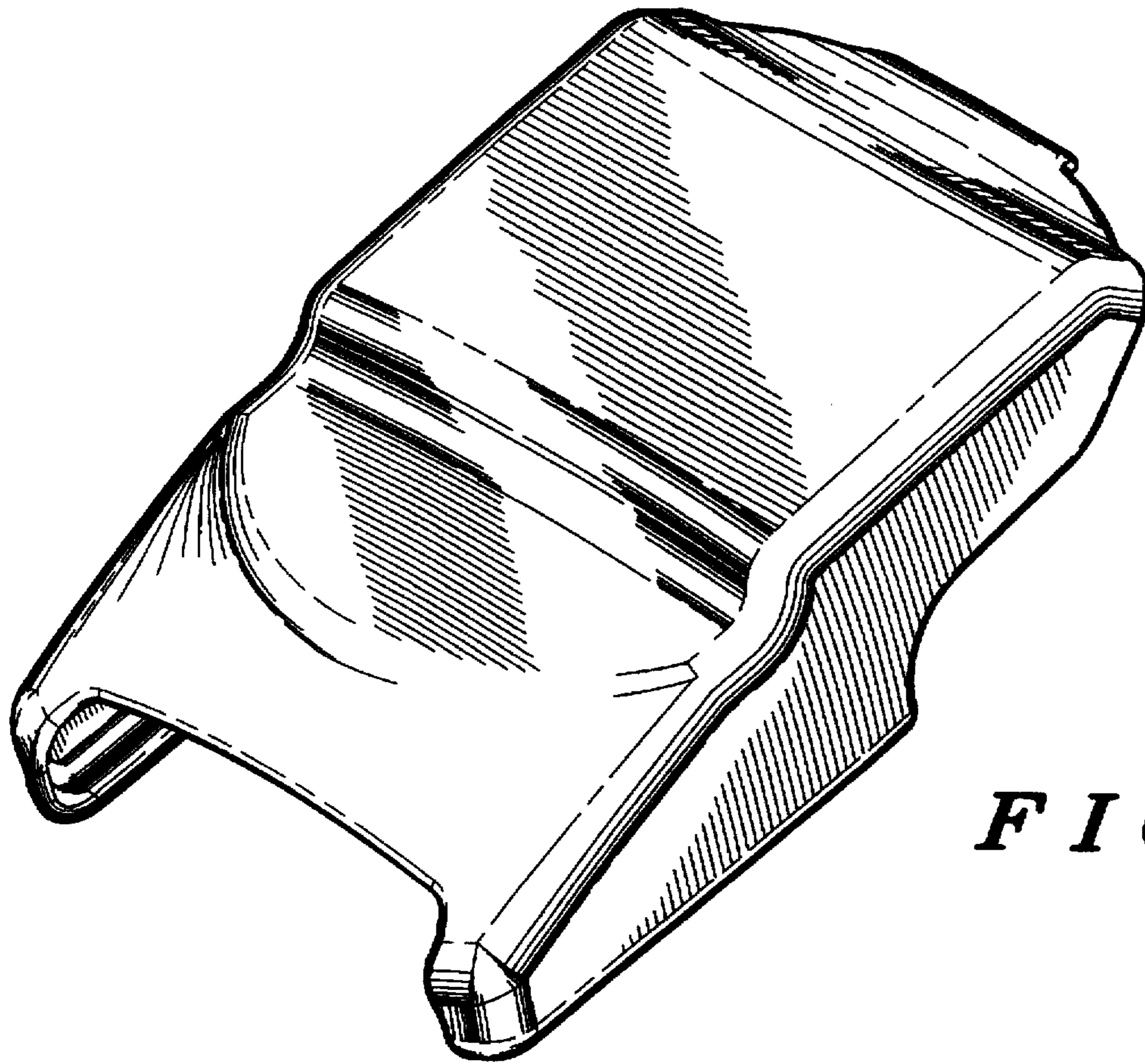


*FIG. 3*



*FIG. 4*





*FIG. 5*