

US00D387191S

United States Patent [19]

[11] Patent Number: Des. 387,191

Berke

[45] Date of Patent: **Dec. 9, 1997

[54] PAIR OF DETACHABLE EXTENDED VISION OPTICAL ELEMENTS

3,820,164 6/1974 Kiebała 2/10
5,533,207 7/1996 Diaz 2/10

[76] Inventor: Joseph J. Berke, 2063 Long Lake Shore, West Bloomfield, Mich. 48323

Primary Examiner—Paula A. Mortimer

[**] Term: 14 Years

[57] CLAIM

[21] Appl. No.: 58,040

The ornamental design for a pair of detachable extended vision optical elements, as shown and described.

[22] Filed: Aug. 6, 1996

DESCRIPTION

[51] LOC (6) Cl. 02-03

FIG. 1 is an exploded front perspective view of a pair of detachable extended vision optical elements showing my new design the broken line showing of the baseball cap is for illustrative purposes only and forms no part of the claimed design;

[52] U.S. Cl. D2/891; D2/865; D2/866; D16/304

FIG. 2 is a perspective view of the extended vision elements mounted on the baseball cap with the optical elements in non-operable positions;

[58] Field of Search D2/865, 866, 891; 2/10, 12, 13; D16/304, 310, 340; D29/103, 104; 351/41, 44, 47-48, 51-52

FIG. 3 is a perspective view of the extended vision elements mounted on the baseball cap with the optical elements in operable positions; and,

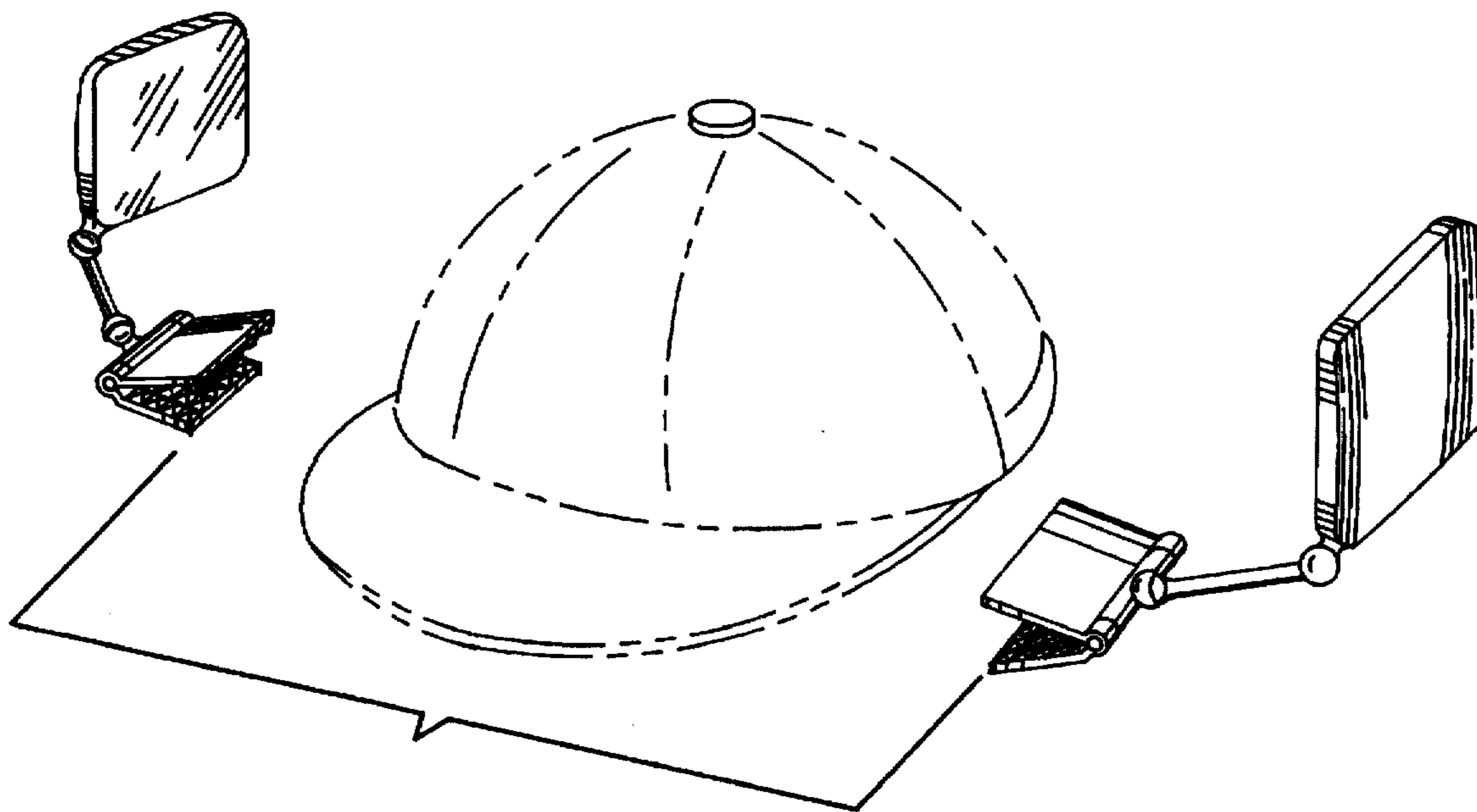
[56] References Cited

U.S. PATENT DOCUMENTS

| | | | | |
|------------|---------|---------|-------|----------|
| D. 364,033 | 11/1995 | Romano | | D2/865 X |
| D. 377,364 | 1/1997 | Dinges | | D16/304 |
| 694,449 | 3/1902 | Waldron | | 2/10 |
| 700,587 | 5/1902 | Waldron | | 2/10 |
| 1,504,344 | 8/1924 | Hennigh | | 2/10 X |
| 2,717,385 | 9/1955 | Linster | | 2/10 |

FIG. 4 is a perspective view of the elements in a non-operable position, the broken line showing of the sportsman's helmet is for illustrative purposes only and forms no part of the claimed design.

1 Claim, 2 Drawing Sheets



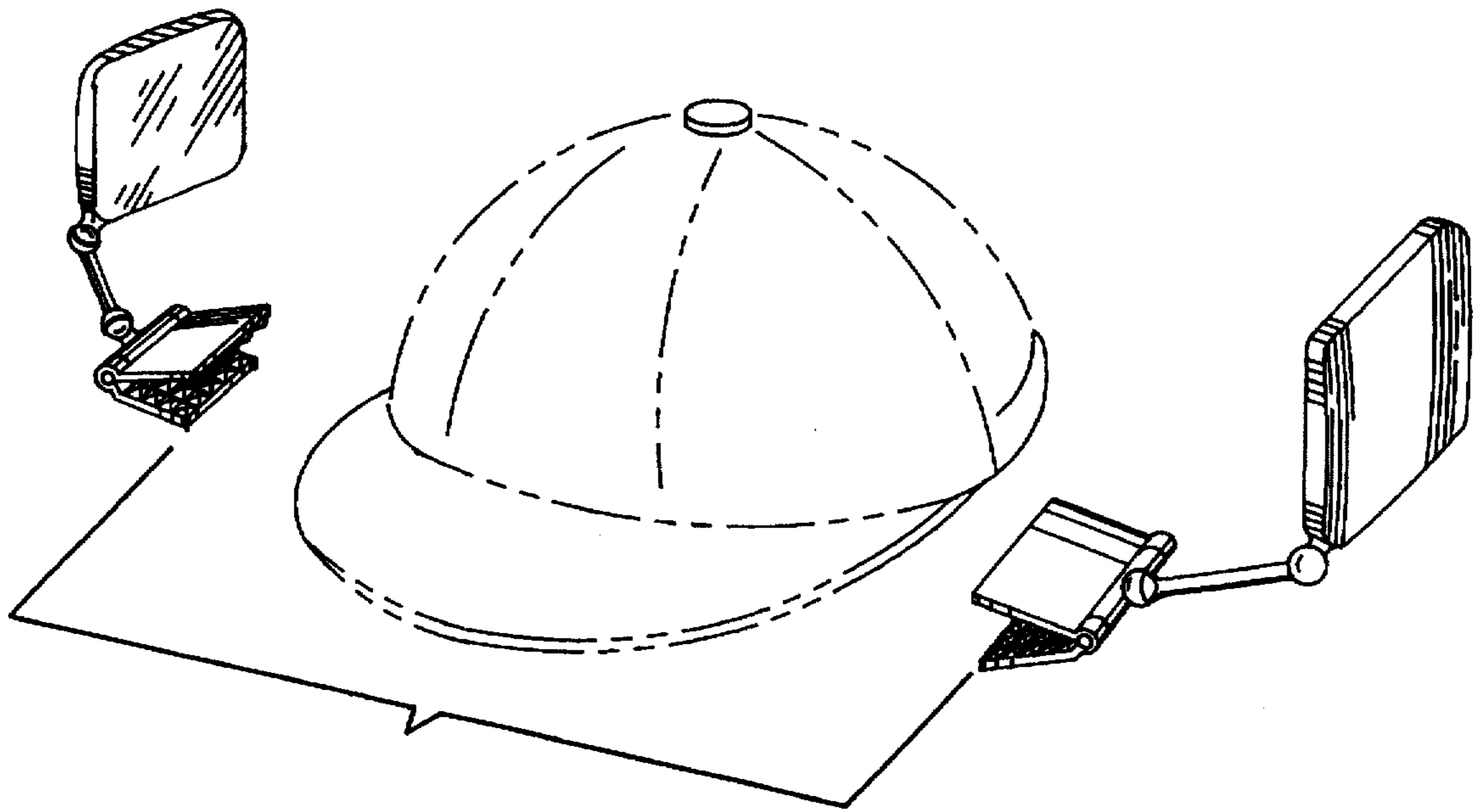


FIG. 1

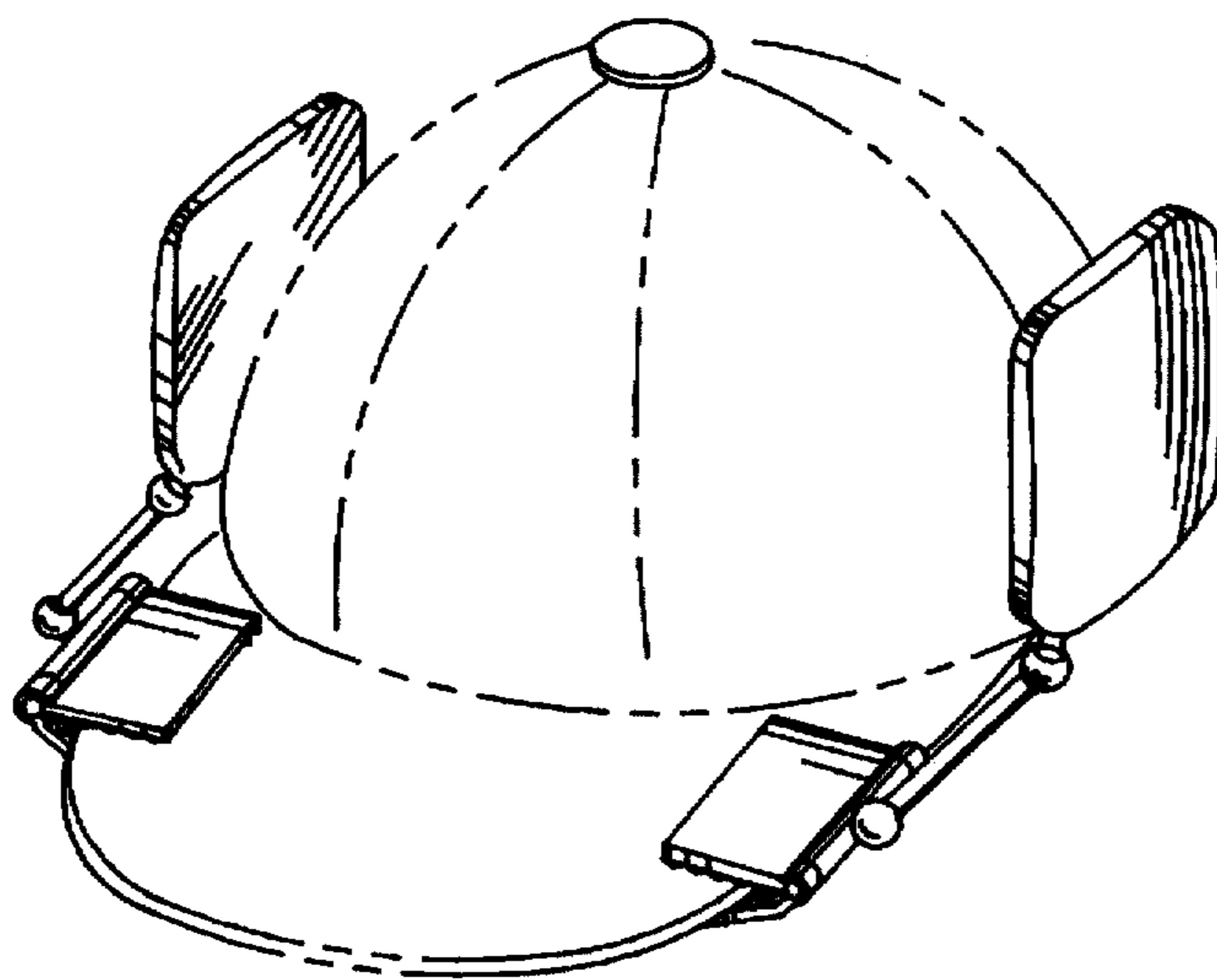


FIG. 2

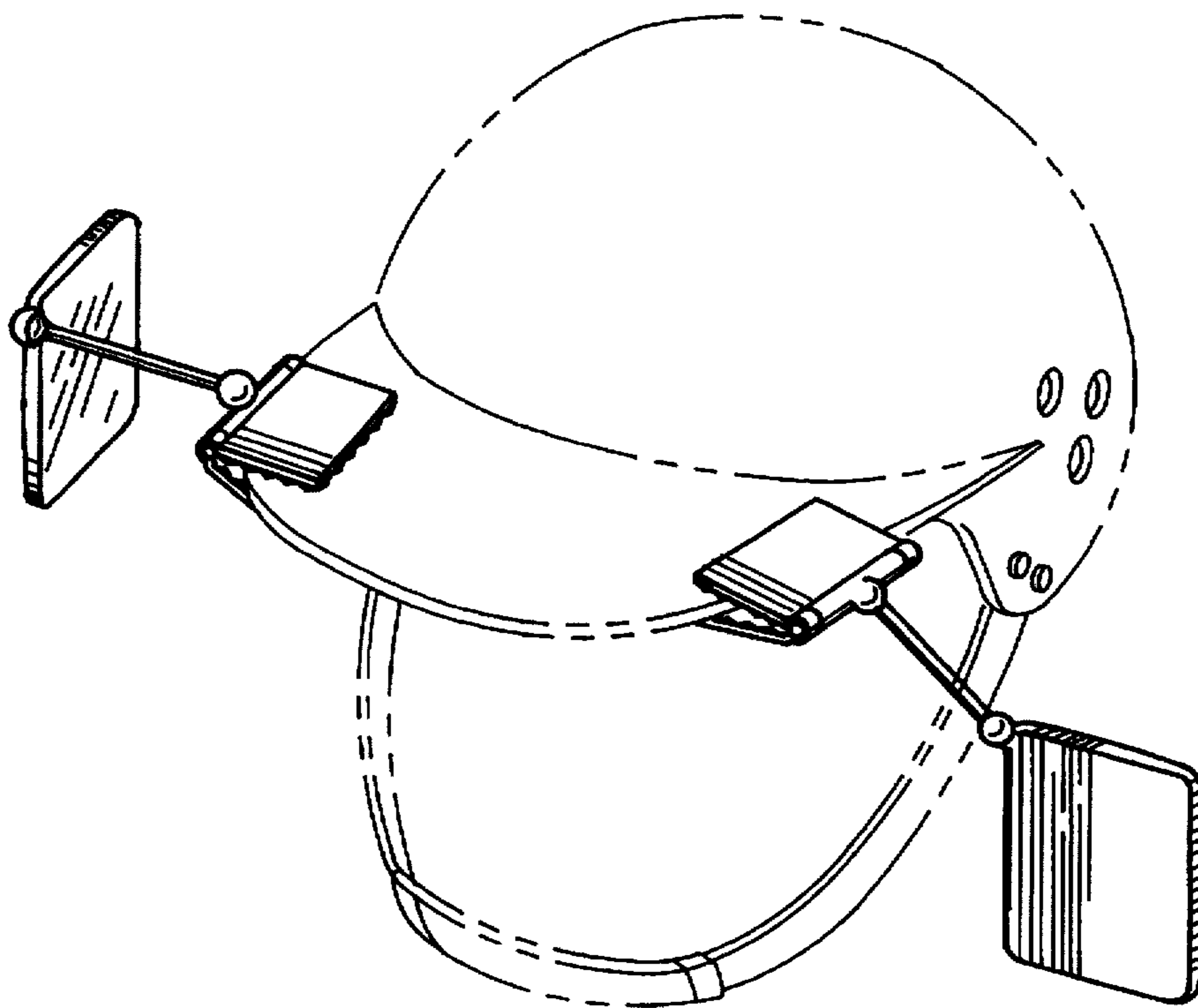
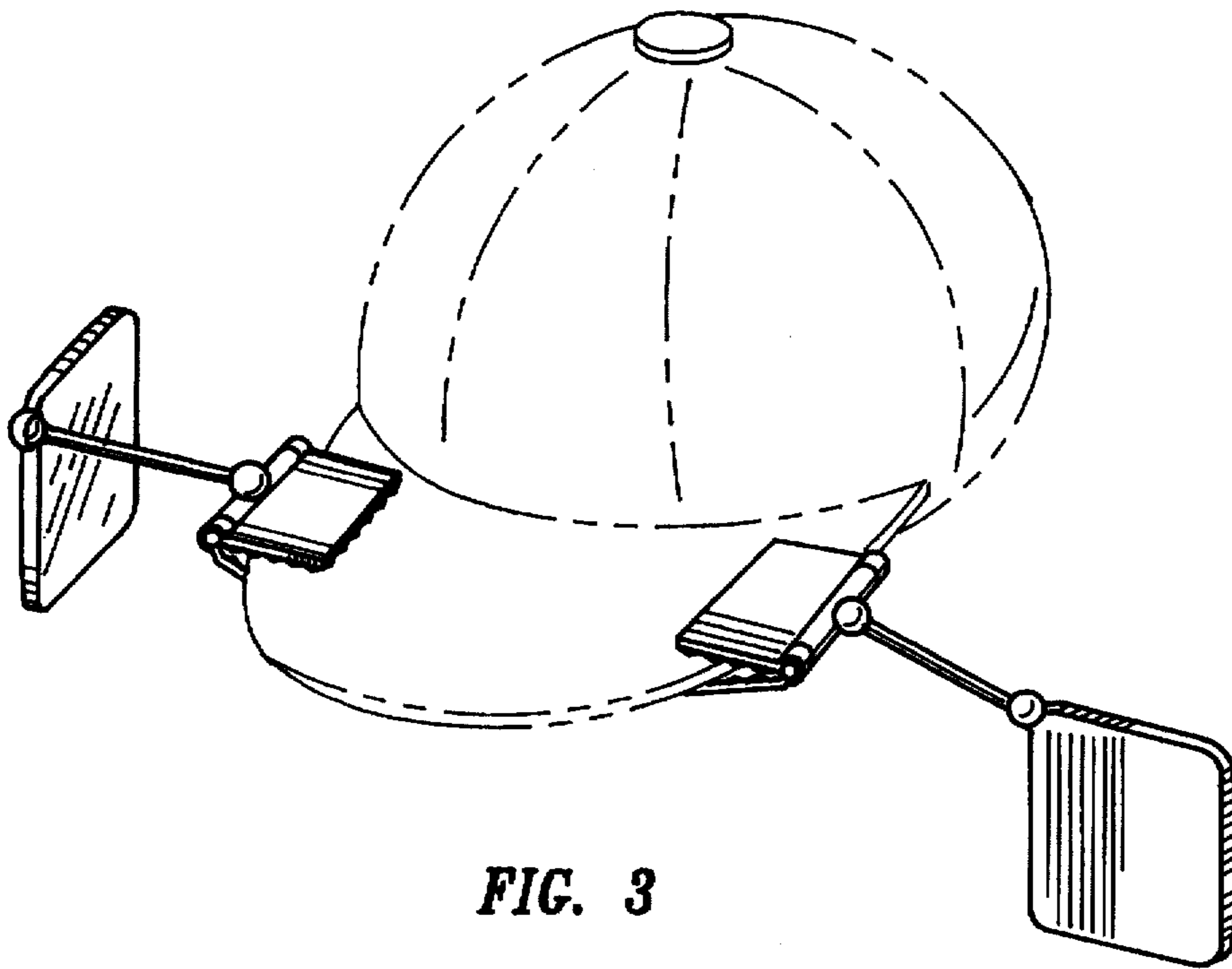


FIG. 4