



US00D387184S

United States Patent [19]

[11] Patent Number: **Des. 387,184**

Seidmeyer et al.

[45] Date of Patent: ****Dec. 2, 1997**

[54] **COMBINED SPORTS CAP AND LIGHT THEREFOR**

Primary Examiner—Marcus A. Jackson

[76] Inventors: **Robert E. Seidmeyer**, 905 Barbara Ann Dr.; **Larry Eugene Dansbee**, 708 Oakwood Ave., both of Hurst, Tex. 76053

[57] **CLAIM**

The ornamental design for a combined sports cap and light therefor, as shown and described.

[**] Term: **14 Years**

DESCRIPTION

[21] Appl. No.: **35,598**

FIG. 1 is a front elevational view of the combined sports cap and light therefor showing my new design;

[22] Filed: **Mar. 2, 1995**

FIG. 2 is a rear elevational view thereof;

[51] LOC (6) Cl. **26-02**

FIG. 3 is a left side elevational view thereof, with the wires broken away to indicate indeterminate length;

[52] U.S. Cl. **D26/39**

[58] Field of Search D26/37, 39; 362/106, 362/157, 158, 183; D2/865, 868, 872, 873, 875; 2/195.1, 906

FIG. 4 is a right side elevational view thereof;

FIG. 5 is a top plan view thereof; and,

FIG. 6 is a bottom plan view thereof.

[56] **References Cited**

U.S. PATENT DOCUMENTS

D. 318,338	7/1991	Mitchell	D26/39
1,744,777	1/1930	Lundgren	362/106

1 Claim, 3 Drawing Sheets

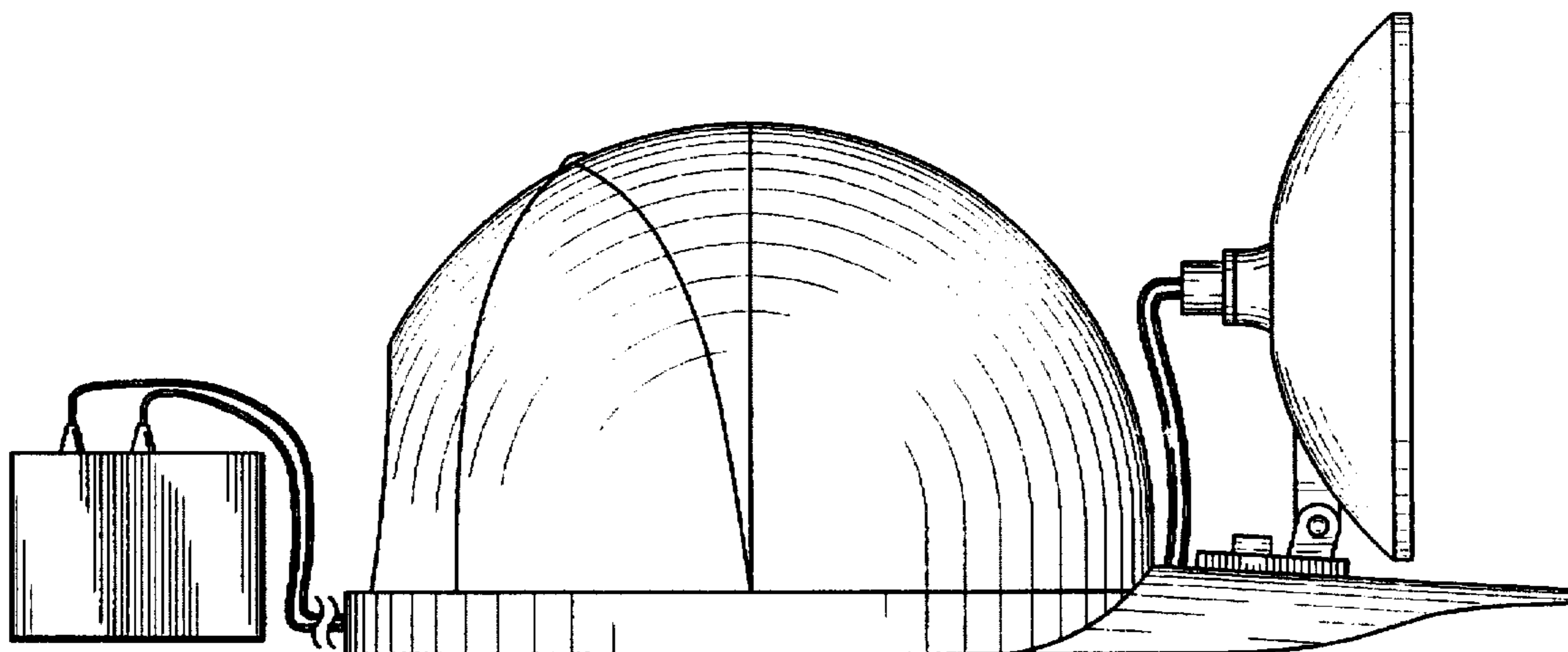
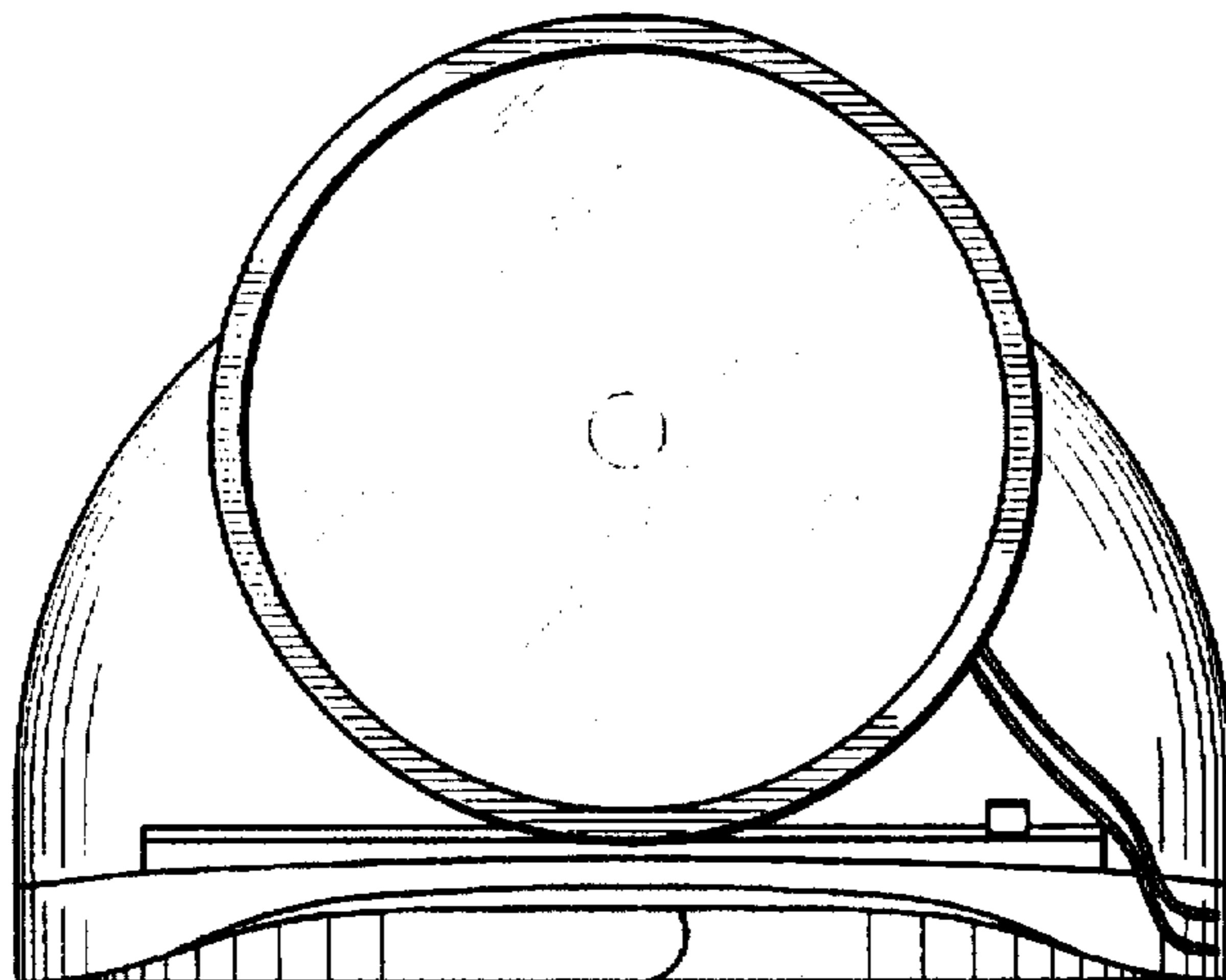


FIG. 1

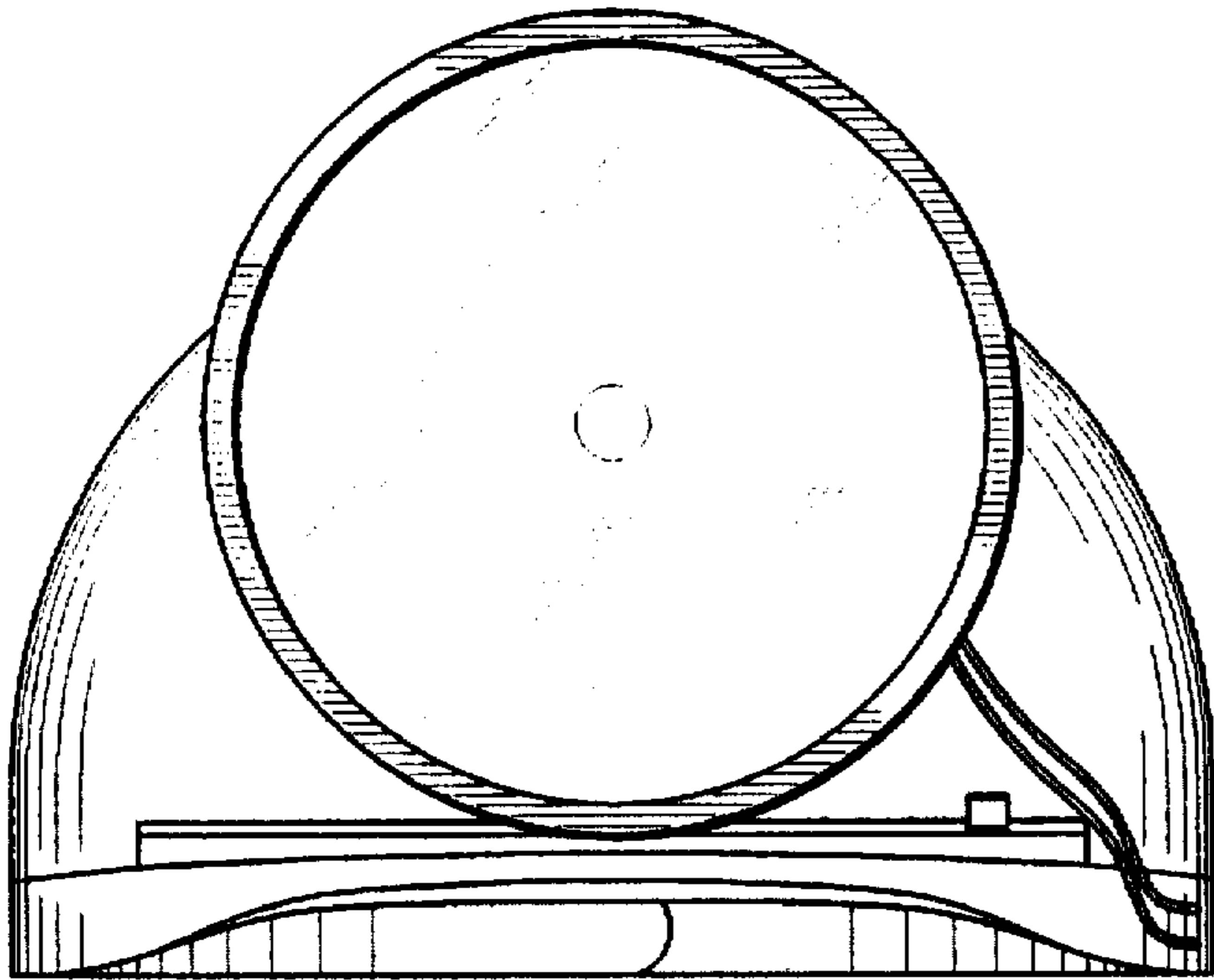


FIG. 2

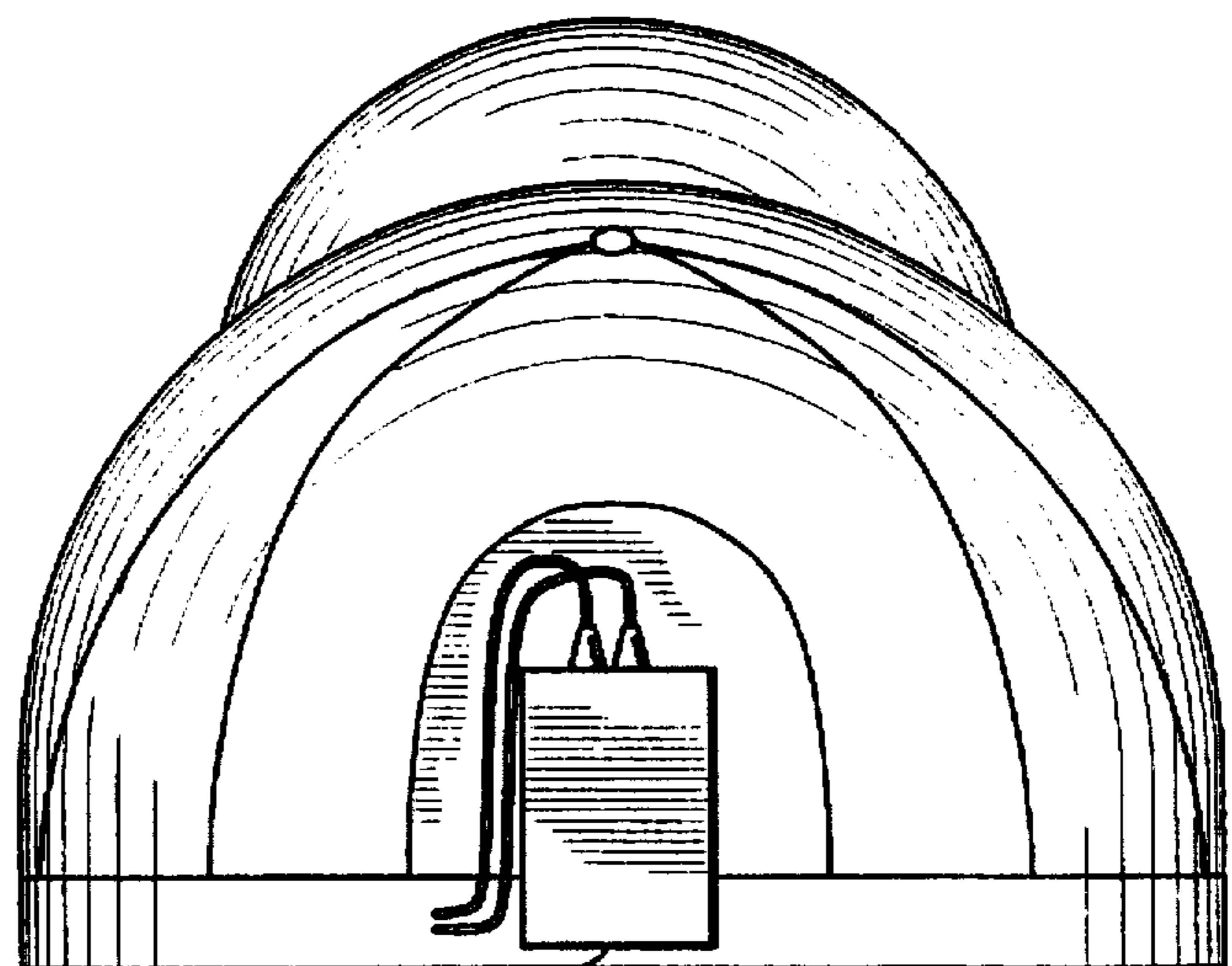


FIG. 3

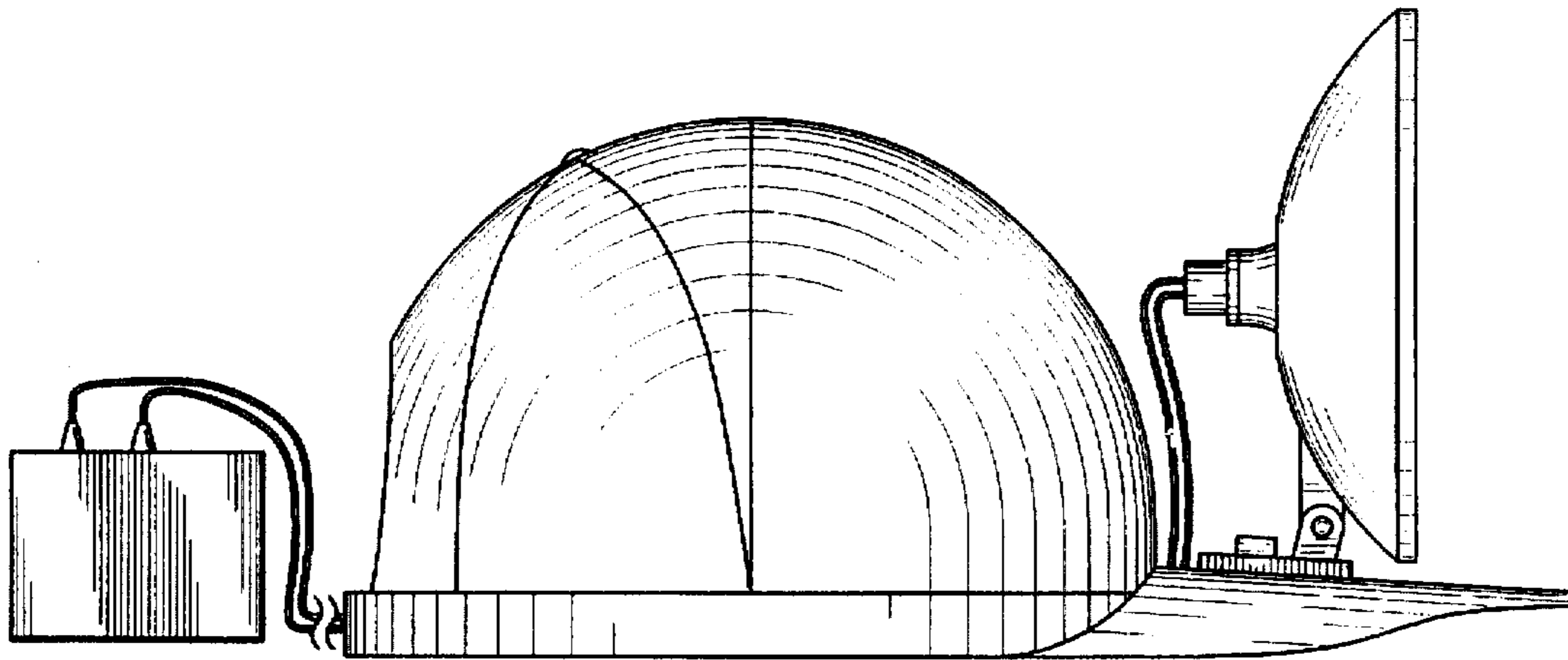


FIG. 4

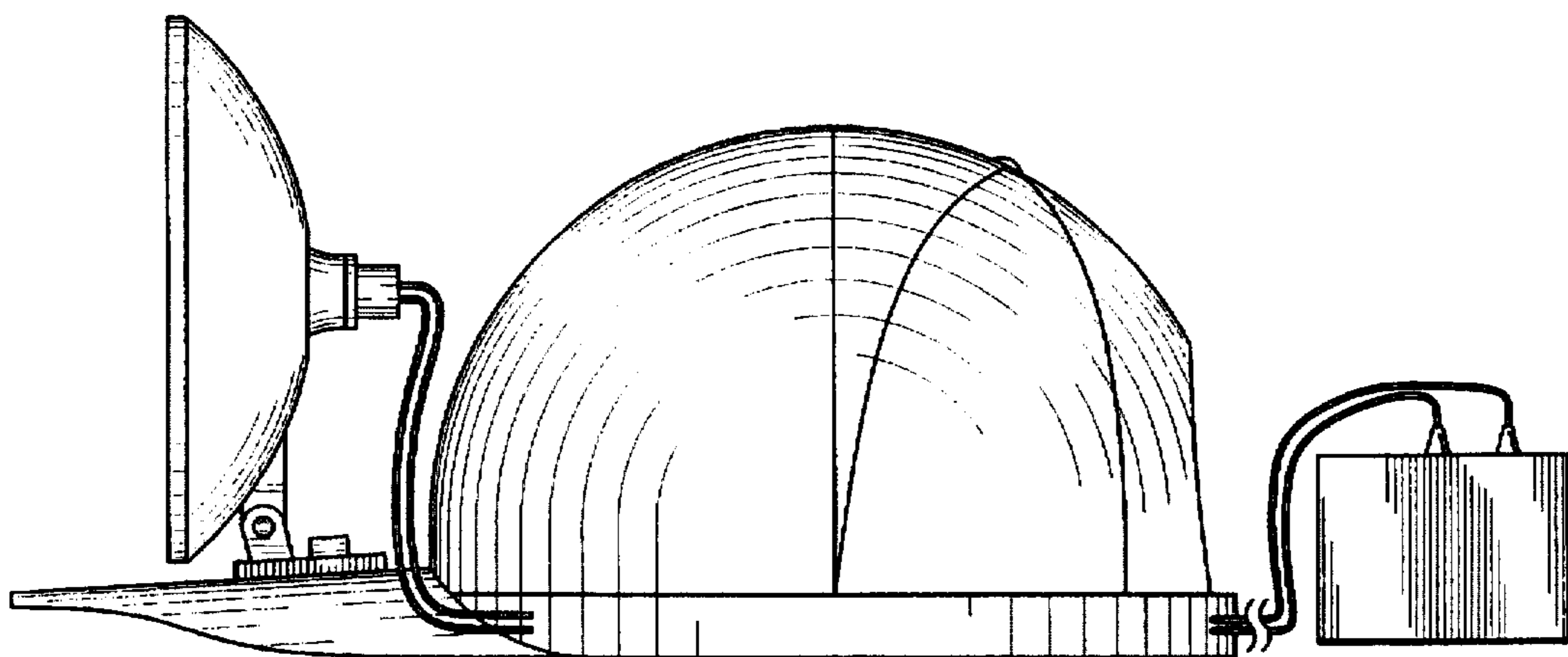


FIG. 5

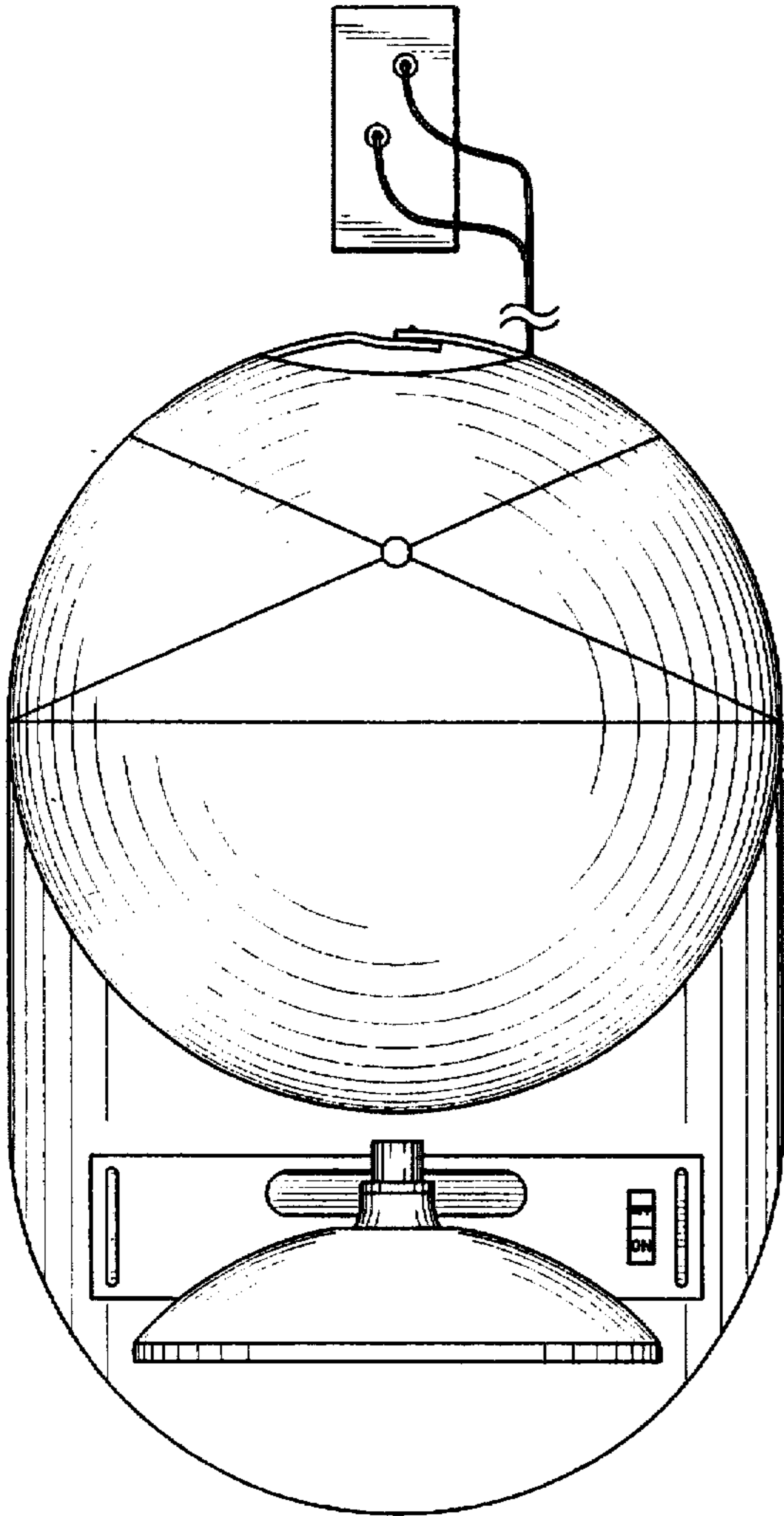


FIG. 6

