



US00D387183S

**United States Patent** [19]

[11] **Patent Number: Des. 387,183**

**VonDross**

[45] **Date of Patent: \*\*Dec. 2, 1997**

[54] **STRUCTURAL BLOCK**

5,226,267 7/1993 D'Antonio et al. .  
5,401,921 3/1995 D'Antonio et al. .  
5,560,173 10/1996 Scheiwiller ..... 52/604

[75] Inventor: **Kerry L. VonDross**, Waukesha, Wis.

[73] Assignee: **Best Block Company**, Butler, Wis.

[\*\*] Term: **14 Years**

[21] Appl. No.: **58,848**

[22] Filed: **Aug. 26, 1996**

[51] **LOC (6) Cl.** ..... **25-01**

[52] **U.S. Cl.** ..... **D25/114**

[58] **Field of Search** ..... D25/103, 113-118;  
D21/108; 52/592.1, 592.4, 592.6, 604

[56] **References Cited**

**U.S. PATENT DOCUMENTS**

D. 26,828	3/1897	Russel .....	D25/103
D. 185,611	6/1959	Paulson .....	D25/115
D. 192,288	2/1962	Mason .....	D25/116
D. 264,996	6/1982	Siedschlag .....	D25/117
D. 265,689	8/1982	Miniere .....	D25/113
D. 291,601	8/1987	D'Antonio et al. .	
D. 306,764	3/1990	D'Antonio et al. .	
1,441,156	1/1923	Kindstrom .....	D25/114
2,933,146	4/1960	Zaldastani et al. .	
3,506,089	4/1970	Junger .	
3,774,339	11/1973	Swett .....	D21/108
3,837,426	9/1974	Kleinschmidt .	
3,866,001	2/1975	Kleinschmidt et al. .	
4,016,693	4/1977	Warren .....	D25/114
4,197,669	4/1980	Hynes .....	D25/113
4,269,013	5/1981	West .	
4,319,661	3/1982	Proudfoot .	
4,499,142	2/1985	Kingston .	
4,821,839	4/1989	D'Antonio et al. .	
4,833,852	5/1989	West .	
4,964,486	10/1990	D'Antonio et al. .	
5,027,920	7/1991	D'Antonio et al. .	
5,168,129	12/1992	D'Antonio .	
5,193,318	3/1993	D'Antonio et al. .	

**OTHER PUBLICATIONS**

Proudfoot Company, Inc., "SOUNDBLOX—Sound-Absorbing Structural Masonry Units".  
Proudfoot Company, Inc. Spec-Data "Sound Absorbing Masonry Units".

*Primary Examiner*—Raphael Barkai  
*Attorney, Agent, or Firm*—Andrus, Scales, Starke & Sawall

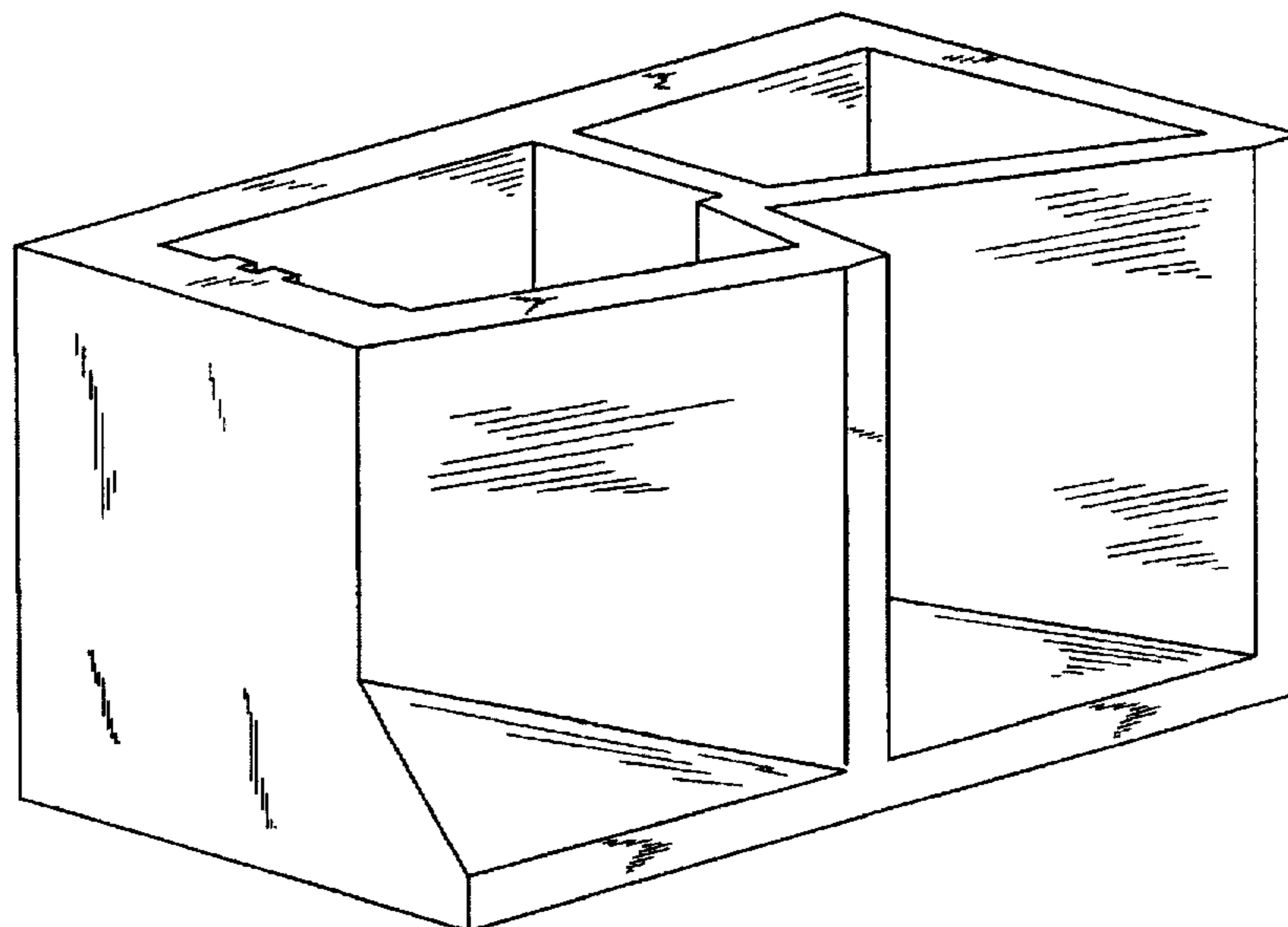
[57] **CLAIM**

The ornamental design for a structural block, as shown.

**DESCRIPTION**

FIG. 1 is a top, front, and left side isometric view of the structural block of the invention;  
FIG. 2 is a top view of the structural block;  
FIG. 3 is a front view of the structural block;  
FIG. 4 is a left side view of the structural block;  
FIG. 5 is a right side view of the structural block;  
FIG. 6 is a bottom view of the structural block;  
FIG. 7 is a top, front and left side isometric view of an alternate embodiment of the structural block of the invention;  
FIG. 8 is a top view of the alternate embodiment shown in FIG. 7;  
FIG. 9 is a front view of the alternate embodiment shown in FIG. 7;  
FIG. 10 is a left side view of the alternate embodiment shown in FIG. 7;  
FIG. 11 is a right side view of the alternate embodiment shown in FIG. 7; and,  
FIG. 12 is a bottom view of the alternate embodiment shown in FIG. 7.

**1 Claim, 12 Drawing Sheets**



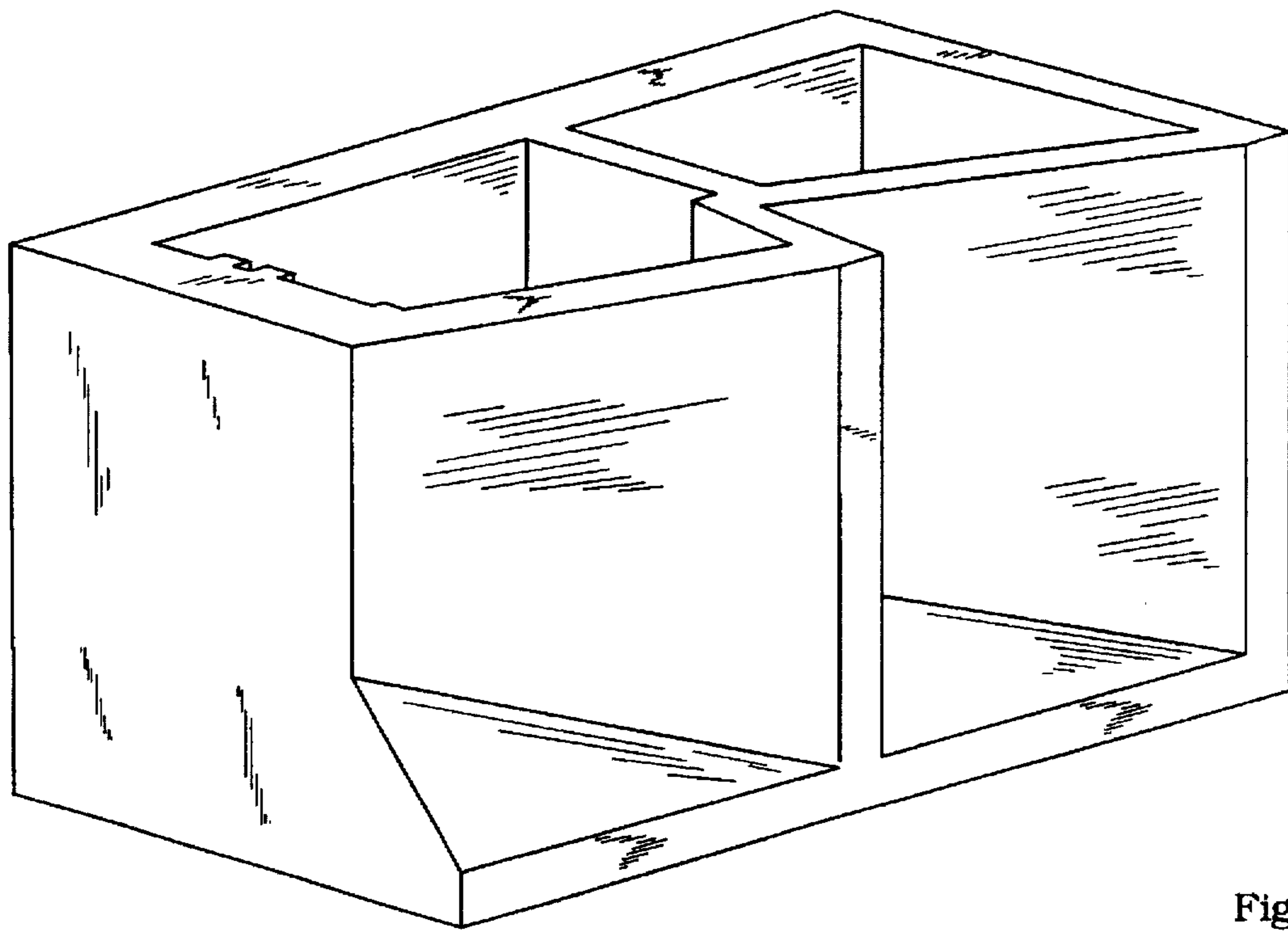


Fig. 1

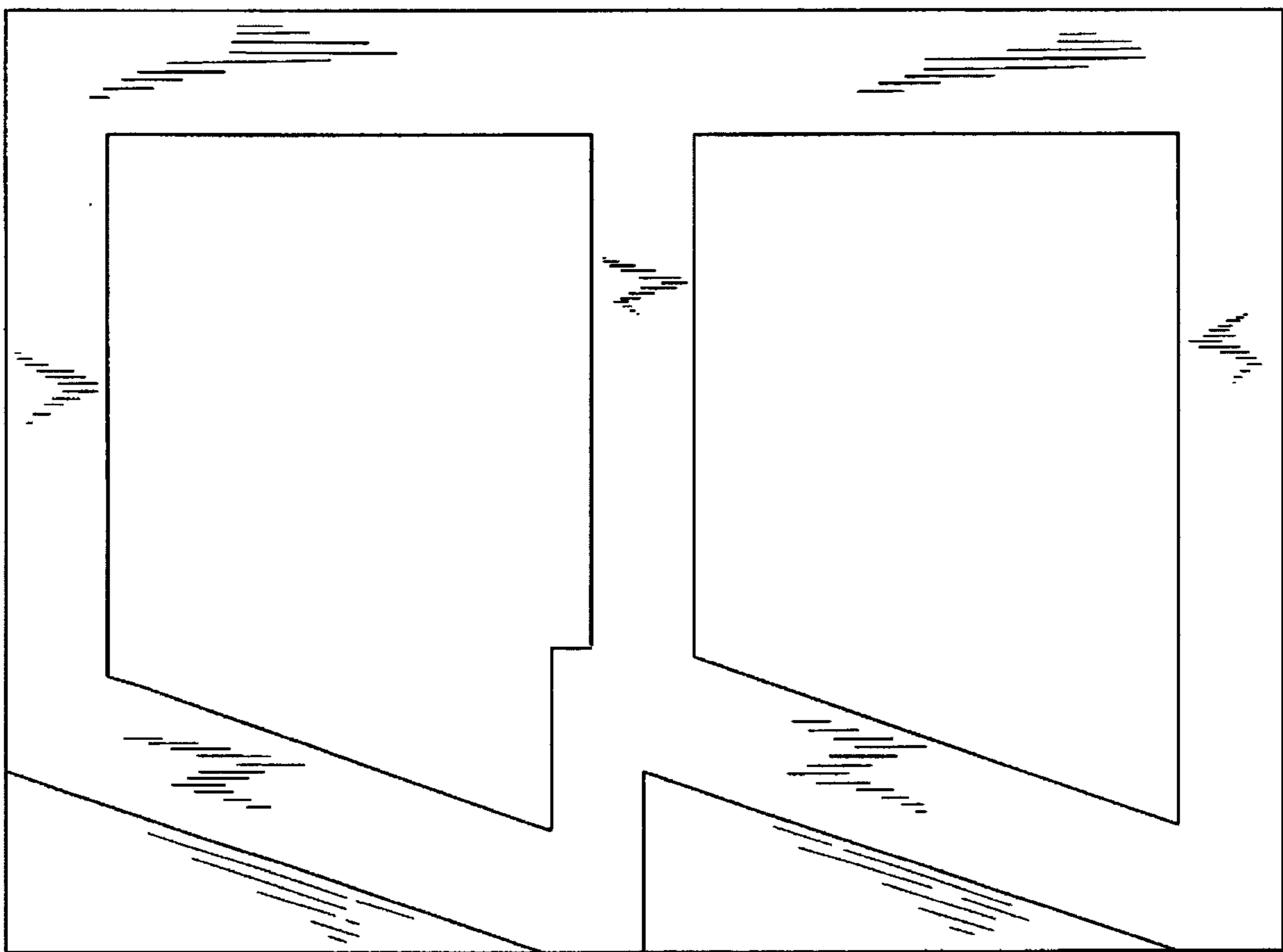


Fig. 2

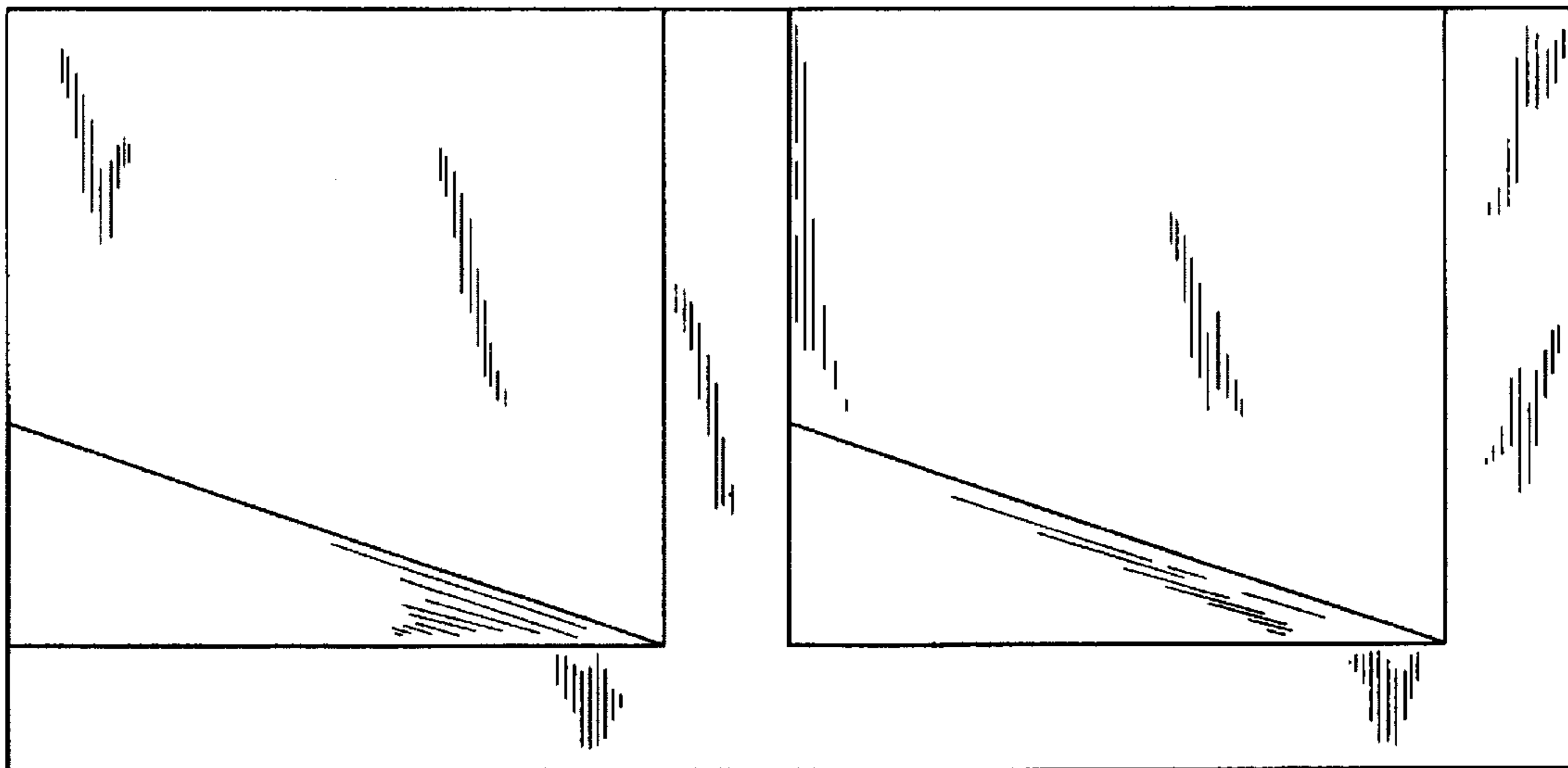


Fig. 3



Fig. 4

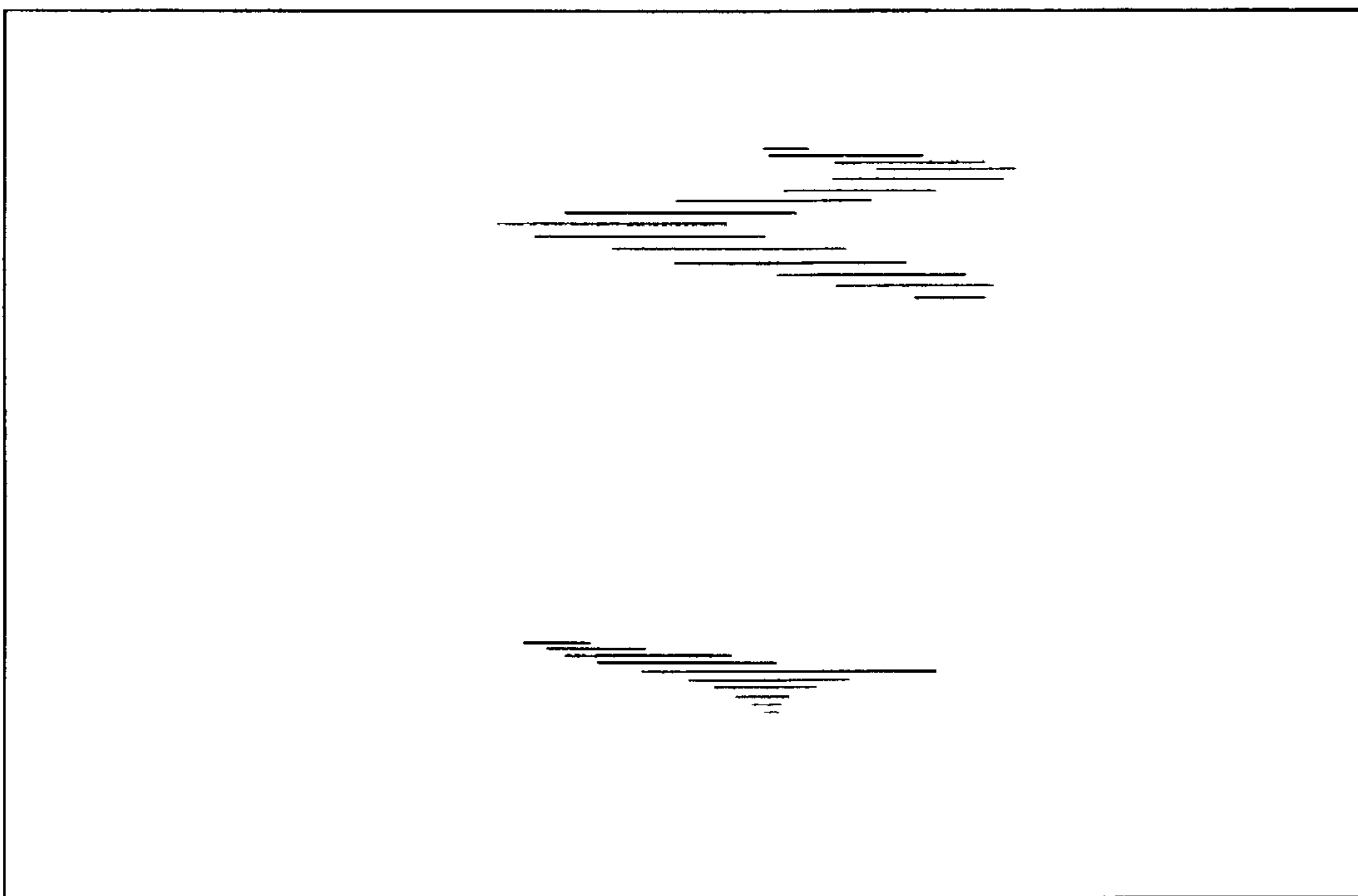


Fig. 5

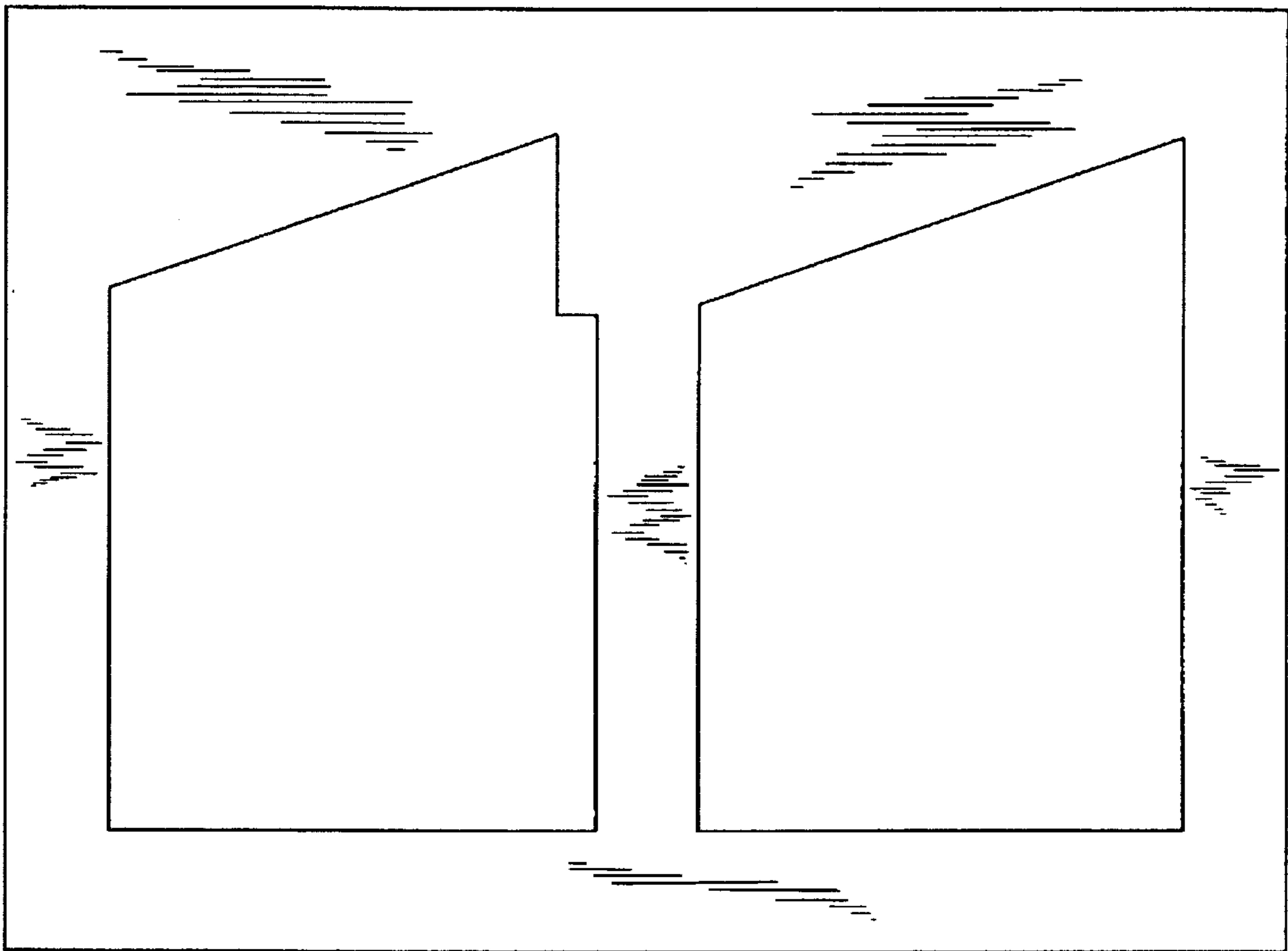


Fig. 6

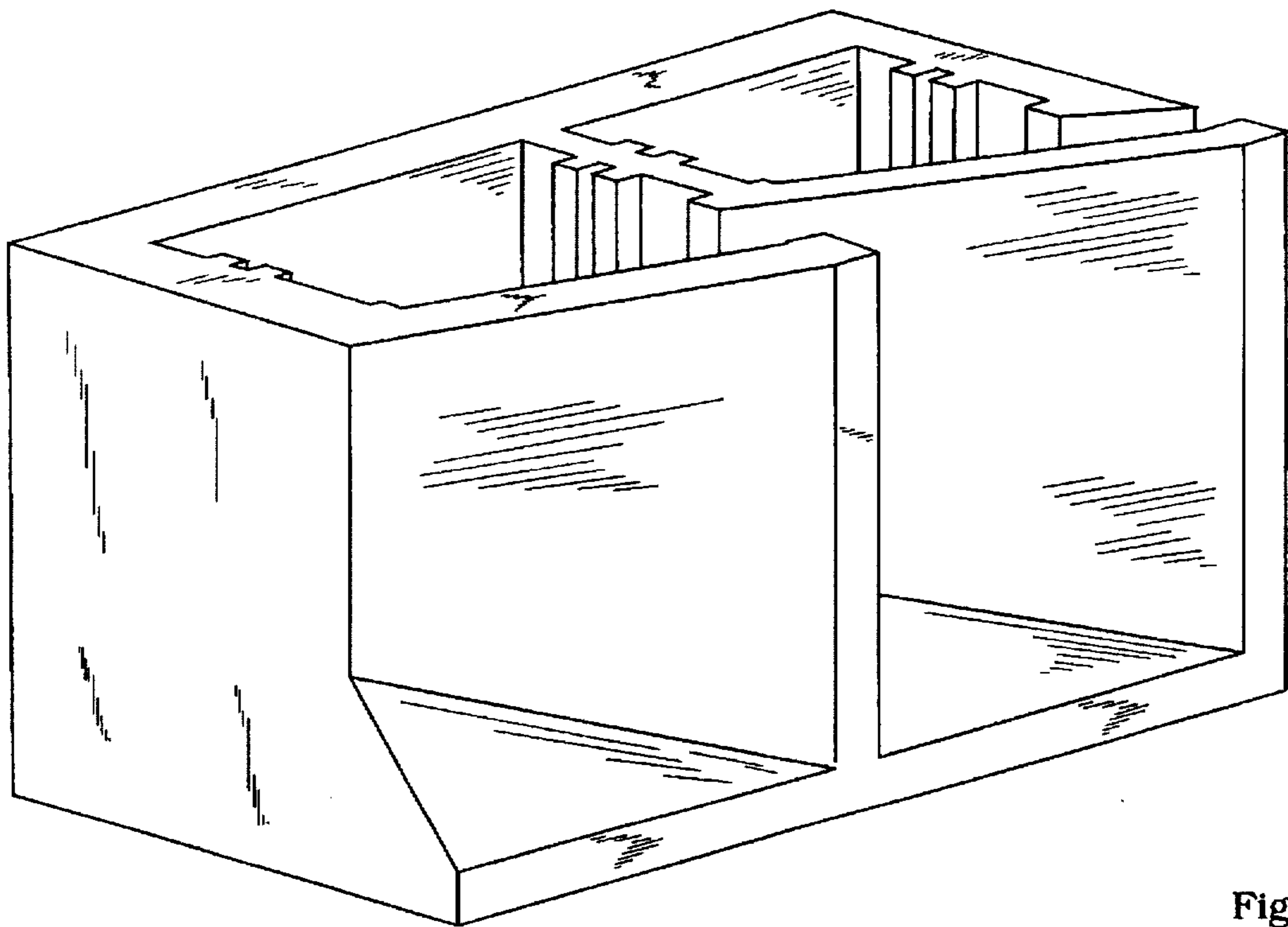


Fig. 7



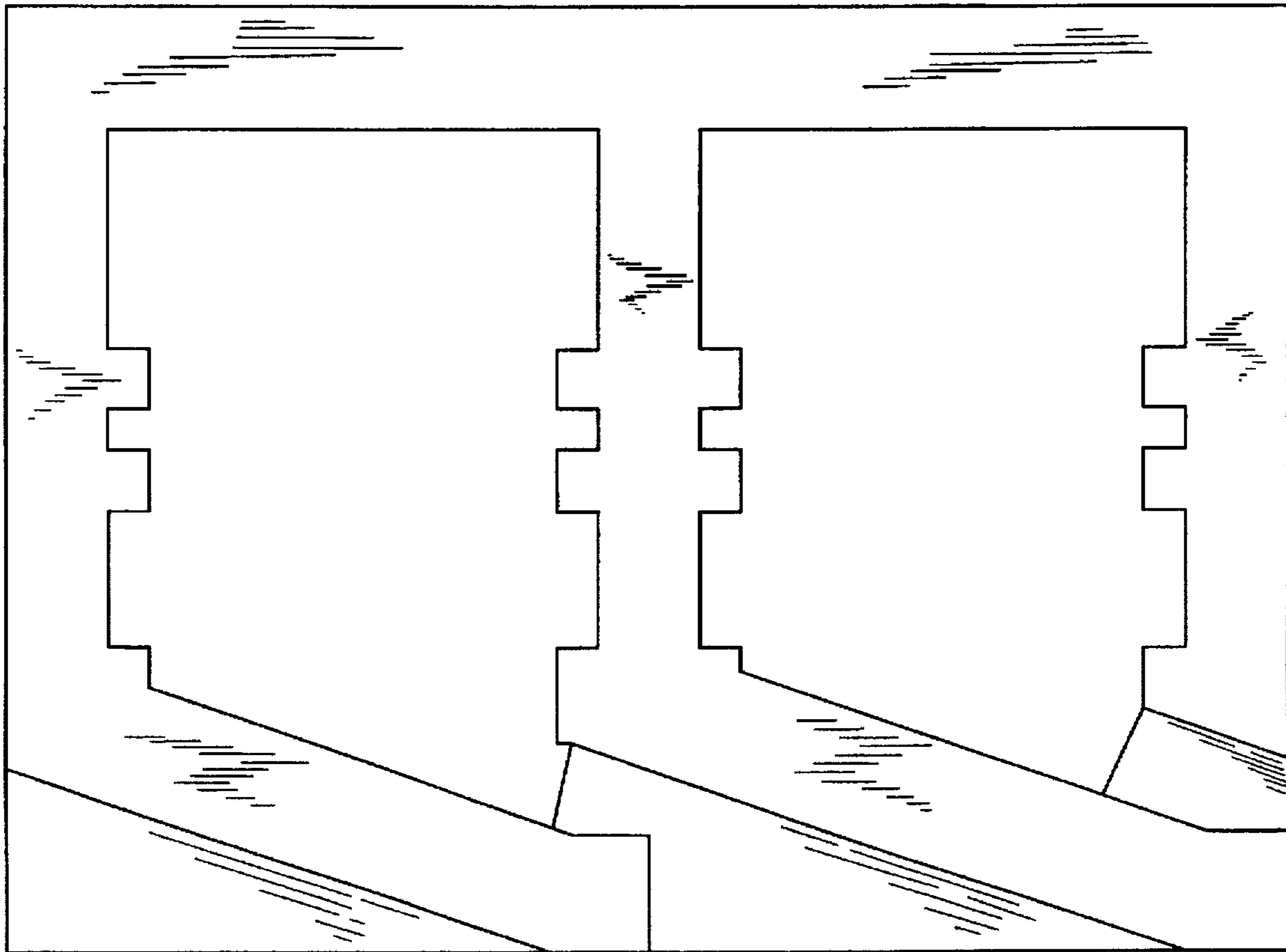


Fig. 8

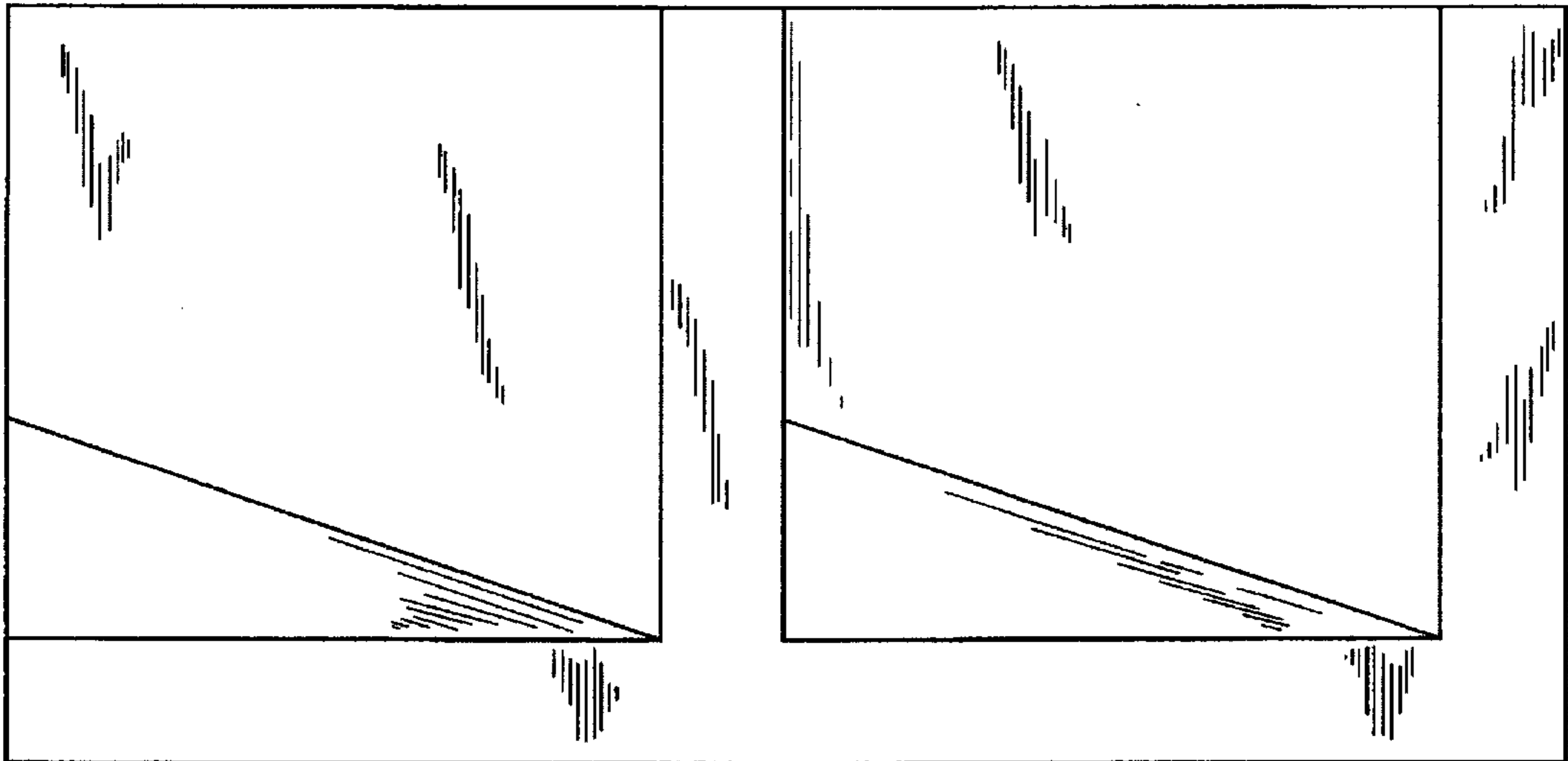


Fig. 9



Fig. 10

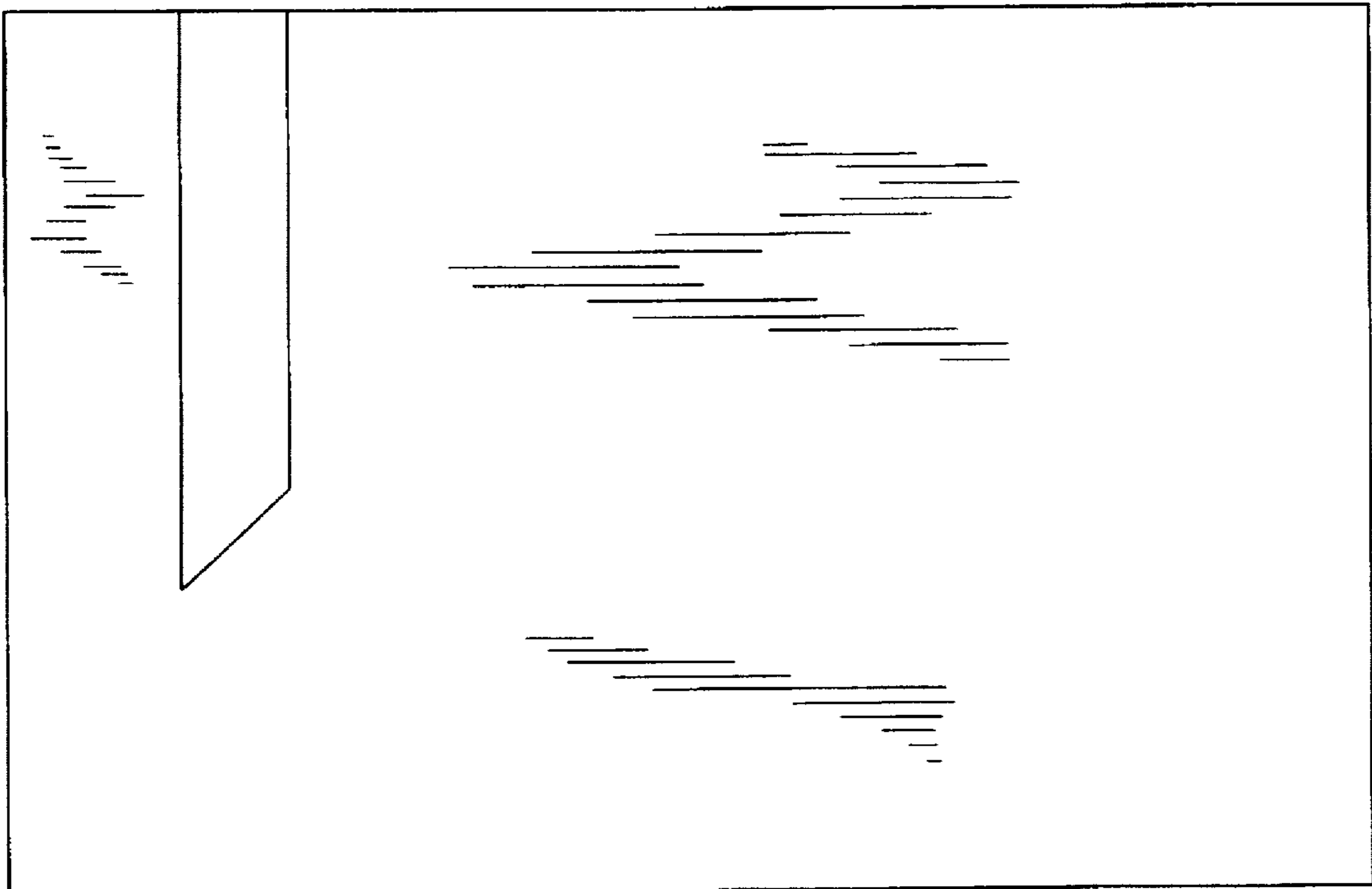


Fig. 11

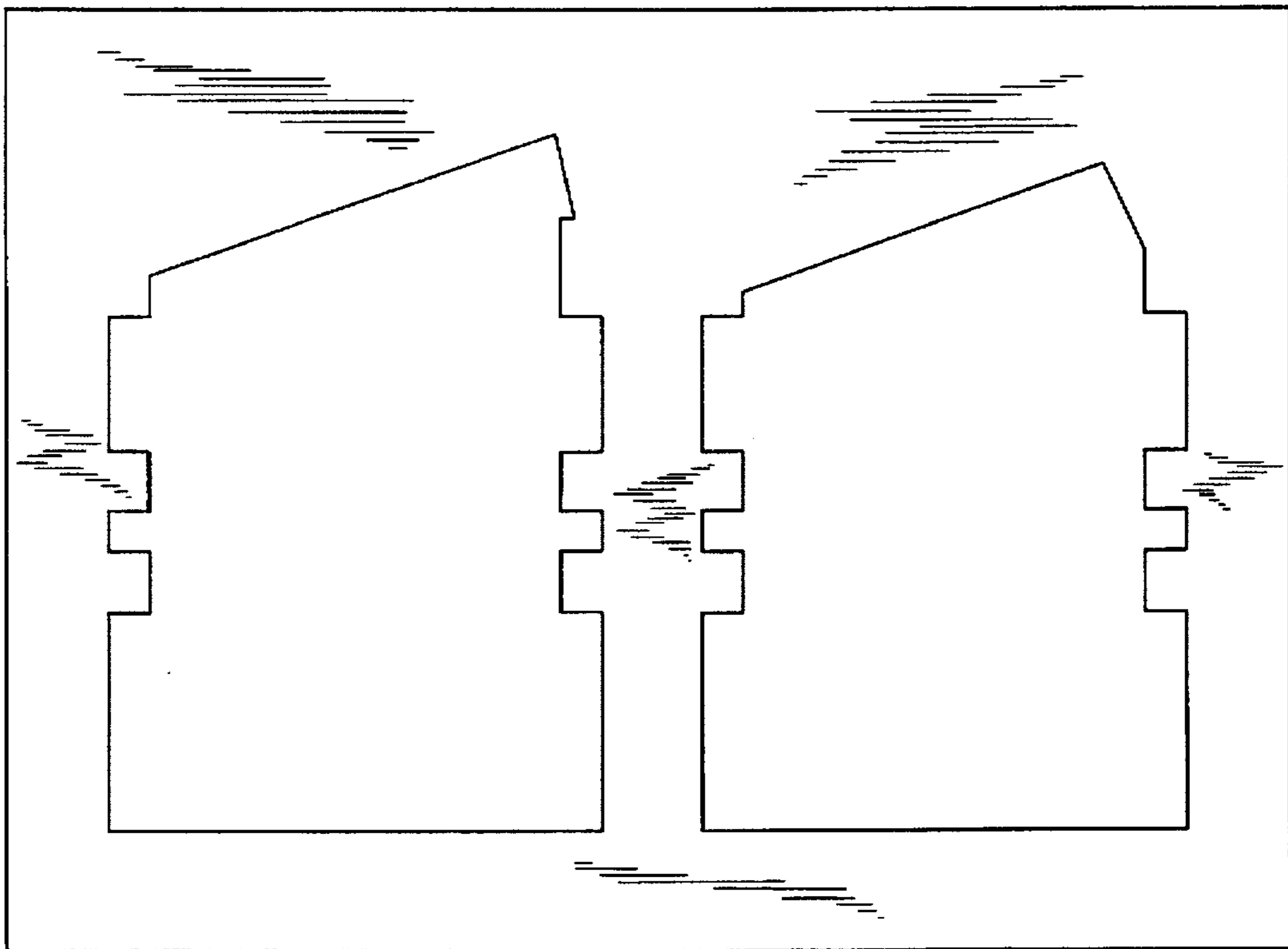


Fig. 12