



US00D387180S

United States Patent [19]
Meadows

[11] **Patent Number: Des. 387,180**

[45] **Date of Patent: **Dec. 2, 1997**

[54] **UTILITY SCAFFOLD**

3,850,264 11/1974 Salinas 182/178
4,136,785 1/1979 McDevitt 211/190

[76] **Inventor: Robert S. Meadows, 2410 Massey Rd.,
DeRidder, La. 70634**

Primary Examiner—Doris Clark
Attorney, Agent, or Firm—John M. Harrison

[**] **Term: 14 Years**

[57] **CLAIM**

[21] **Appl. No.: 60,640**

The ornamental design for a “utility scaffold”, as shown and described.

[22] **Filed: Oct. 3, 1996**

DESCRIPTION

[51] **LOC (6) Cl. 25-04**

[52] **U.S. Cl. D25/66**

[58] **Field of Search D25/66, 62; 182/153,
182/128, 187, 188, 178, 179**

FIG. 1 is a perspective view of the utility scaffold, showing my new design;

FIG. 2 is a top plan of the utility scaffold;

FIG. 3 is a front elevation thereof; and,

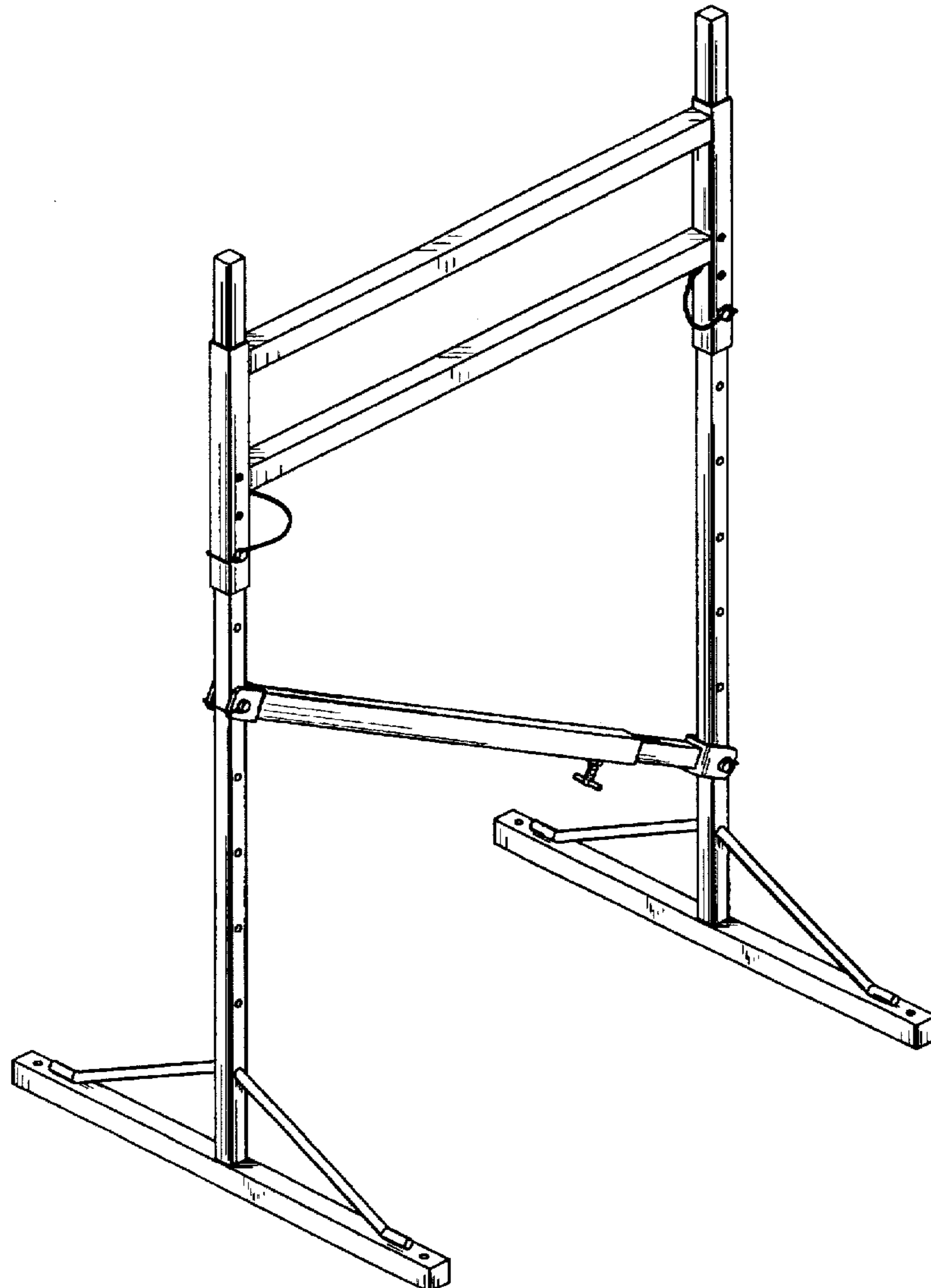
FIG. 4 is a right side elevation of the utility scaffold illustrated in FIGS. 1-3.

[56] **References Cited**

U.S. PATENT DOCUMENTS

D. 142,350 8/1945 Reiner D25/66
3,212,605 10/1965 Dickerson 182/152

1 Claim, 2 Drawing Sheets



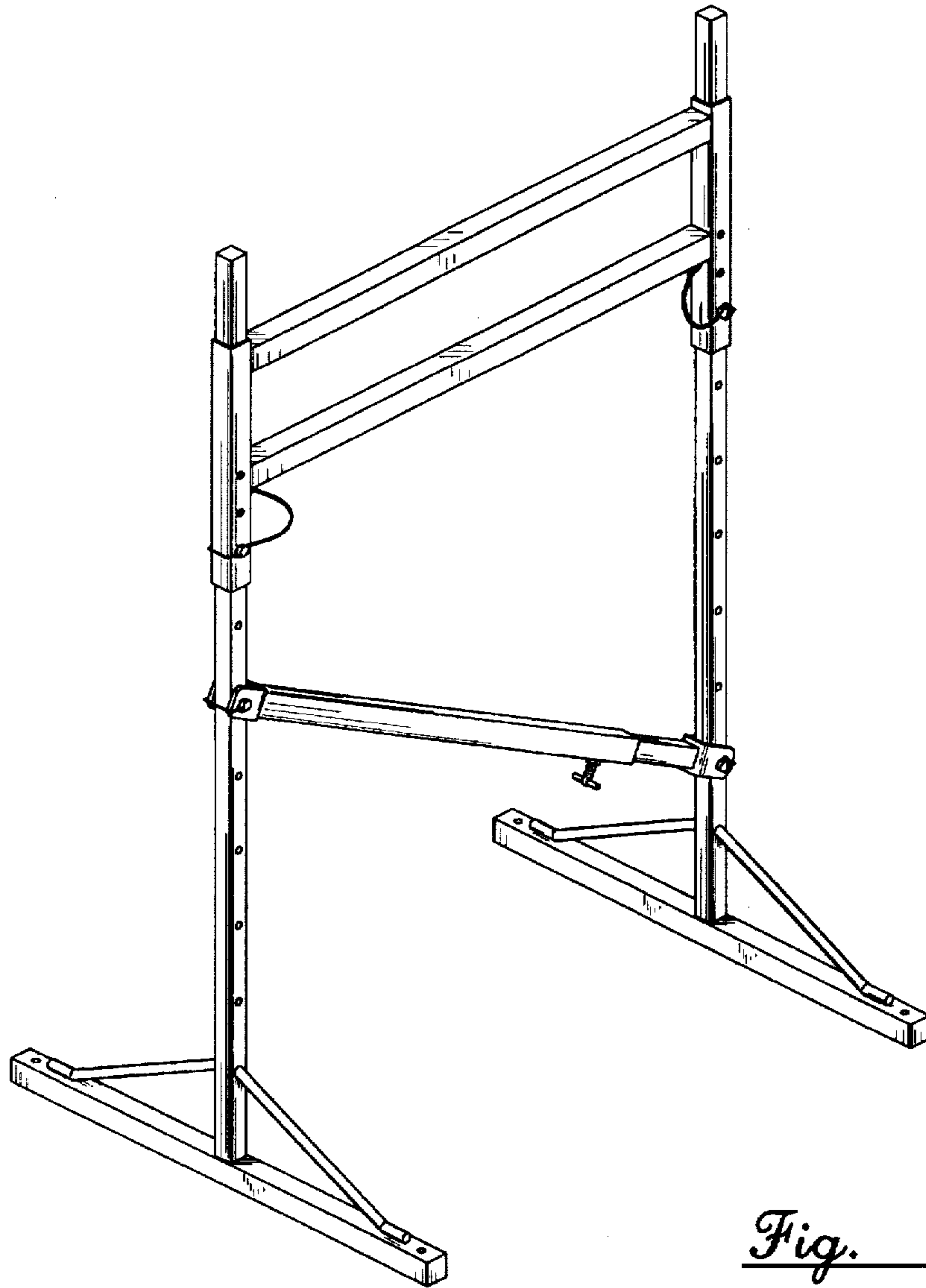


Fig. 1

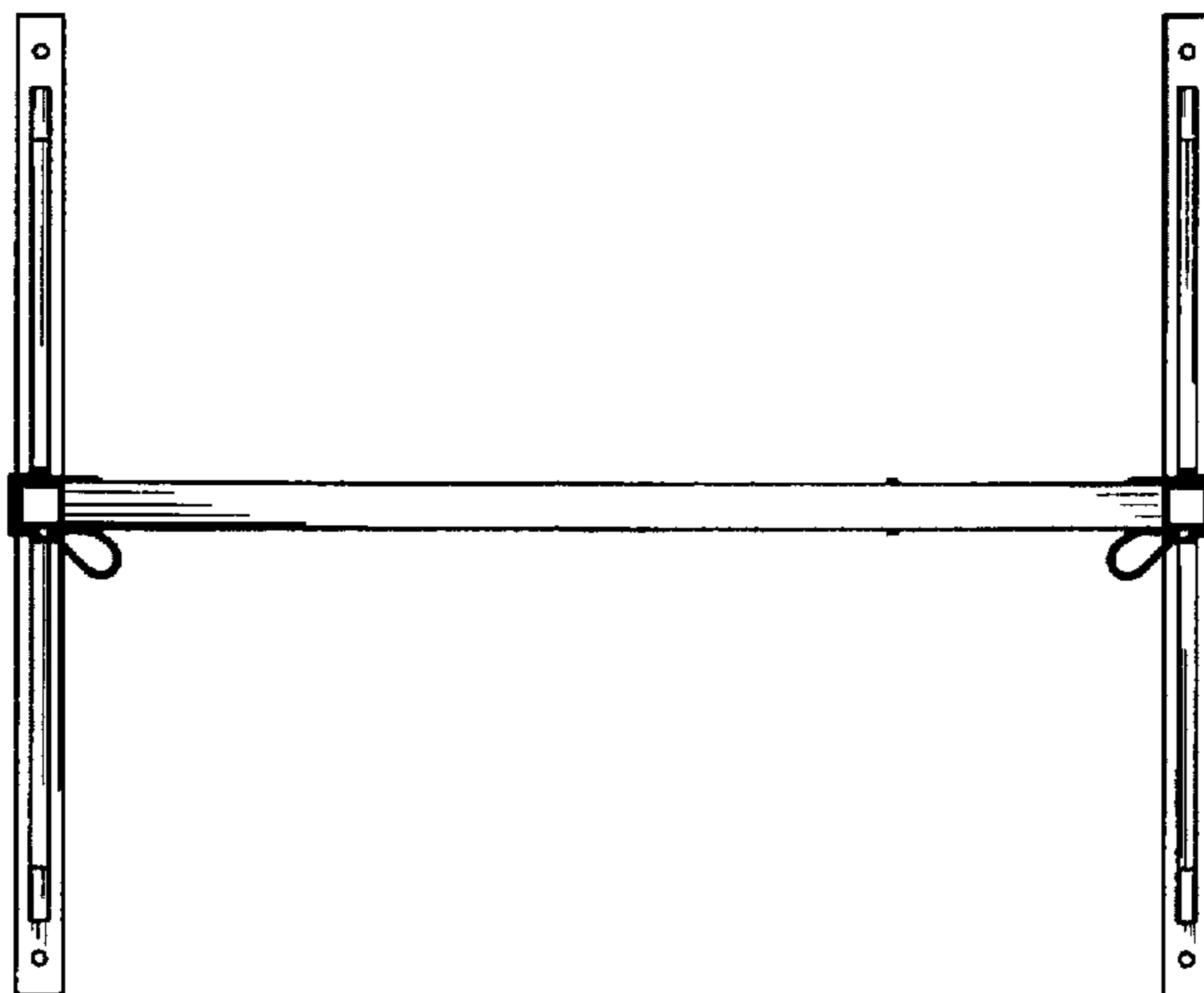


Fig. 2

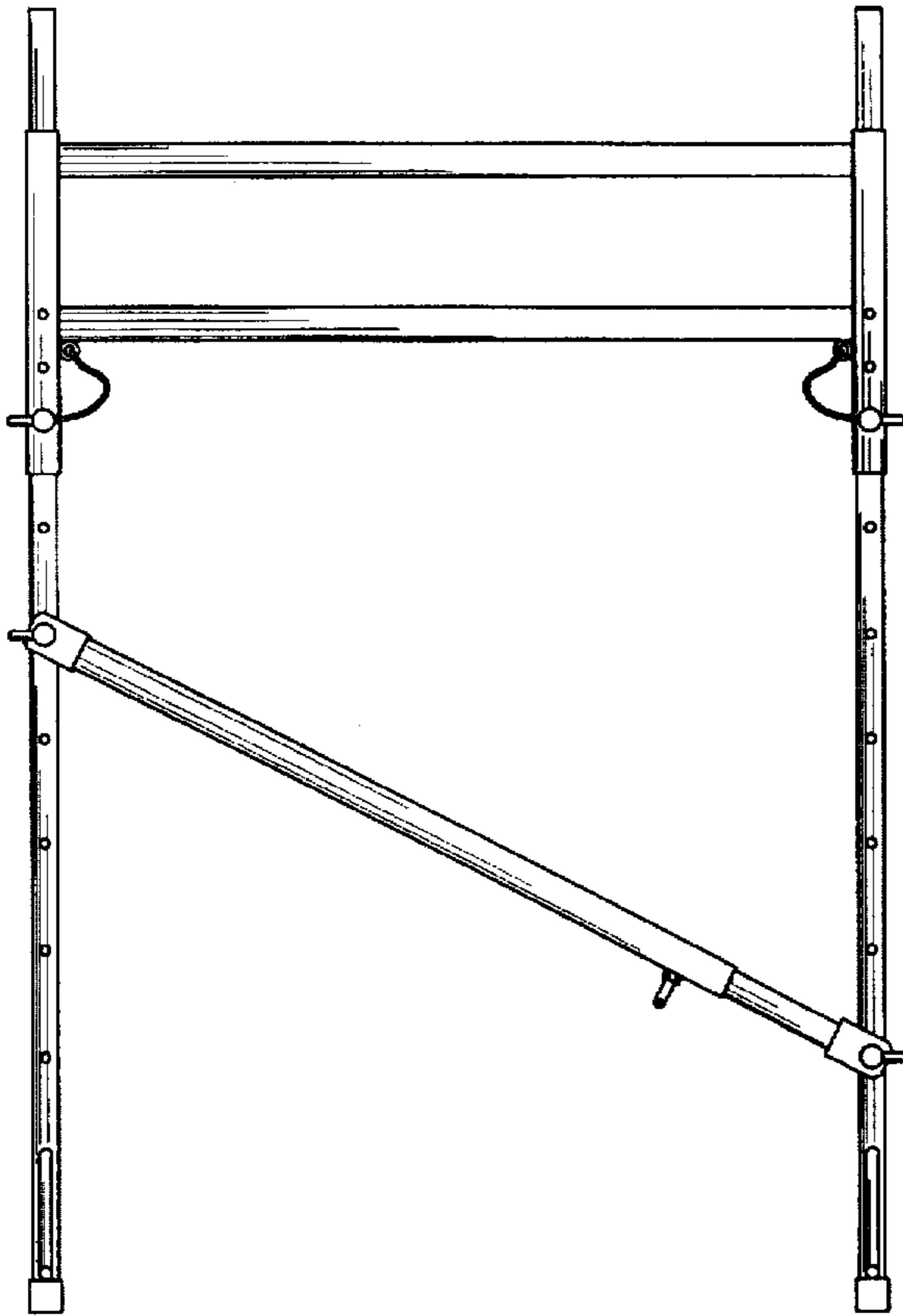


Fig. 3

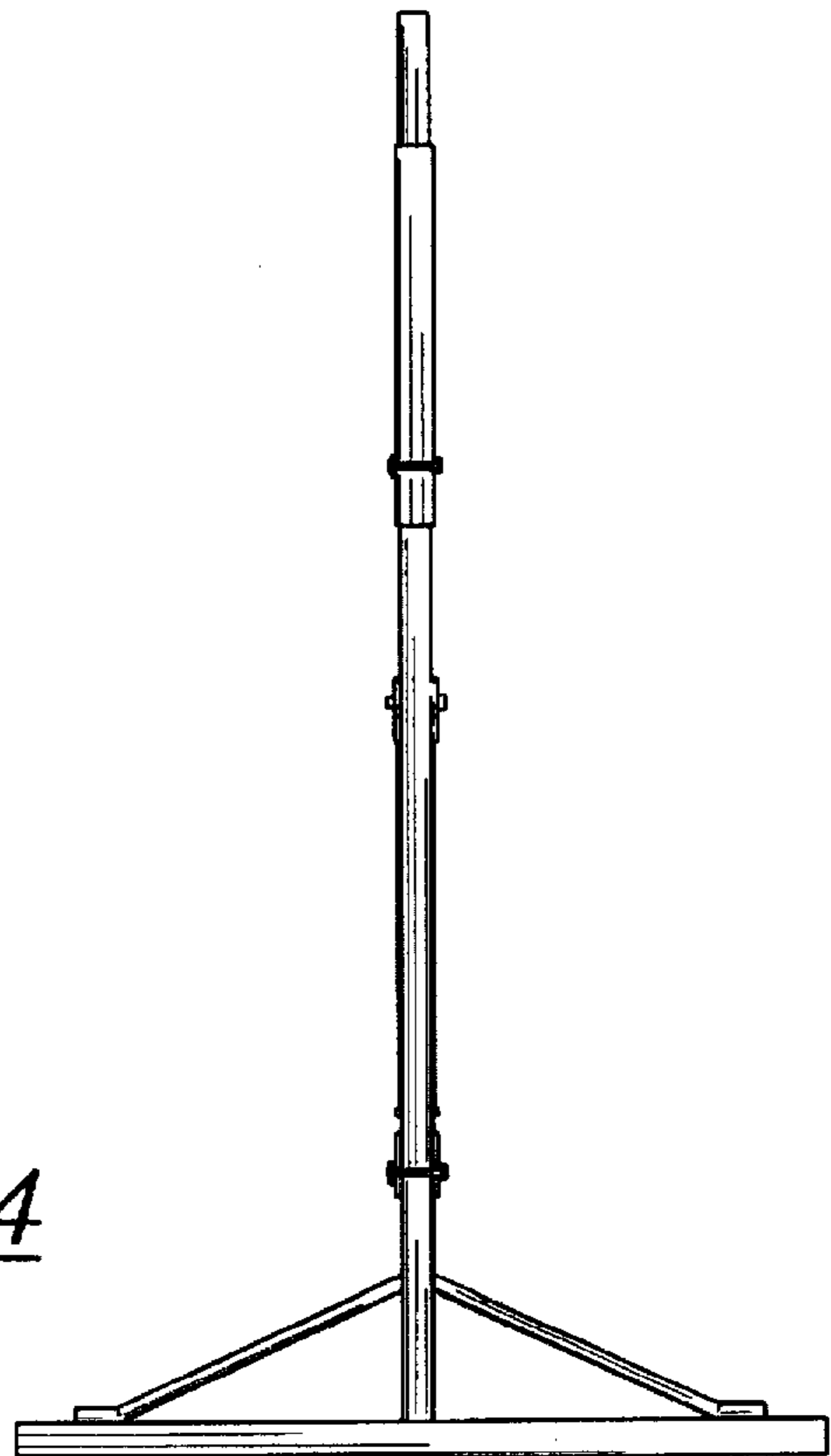


Fig. 4