



US00D387178S

United States Patent [19]

[11] Patent Number: **Des. 387,178**

Rau

[45] Date of Patent: ****Dec. 2, 1997**

[54] **DECK RAILING**

[76] Inventor: **Harvey G. Rau**, 222 Marion, Council Bluffs, Iowa 51503

[**] Term: **14 Years**

[21] Appl. No.: **56,578**

[22] Filed: **Jul. 2, 1996**

[51] LOC (6) CL **25-02**

[52] U.S. Cl. **D25/42**

[58] Field of Search D25/38-44; 256/59, 256/65, 24

[56] **References Cited**

U.S. PATENT DOCUMENTS

D. 220,476	4/1971	Horgan, Jr.	D25/44
D. 300,467	3/1989	Peddie	325/42
5,255,897	10/1993	Pepper	256/65

Primary Examiner—Doris Clark

Attorney, Agent, or Firm—Zarley, McKee, Thomte, Voorhees & Sease; Mark D. Frederiksen

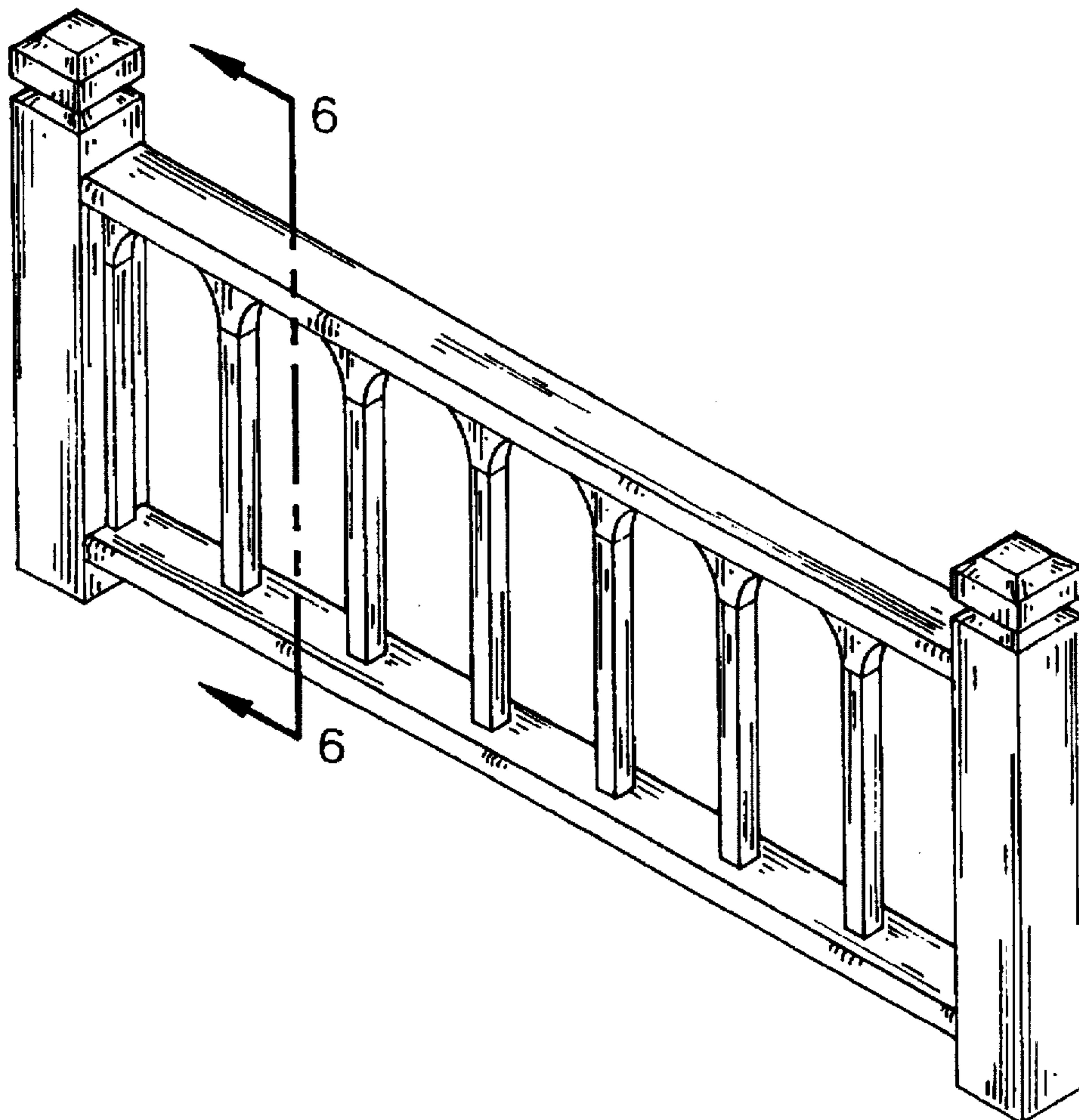
[57] **CLAIM**

The ornamental design for deck railing, as shown and described.

DESCRIPTION

FIG. 1 is a perspective view of the deck railing showing my new design;
 FIG. 2 is a top plan view thereof;
 FIG. 3 is a front elevational view thereof, the rear elevational view being a mirror image thereof;
 FIG. 4 is an elevational view taken from the right side of FIG. 3, the left elevational view being a mirror image thereof;
 FIG. 5 is a bottom plan view thereof; and,
 FIG. 6 is a sectional view thereof taken at lines 6-6 in FIG. 1.

1 Claim, 1 Drawing Sheet



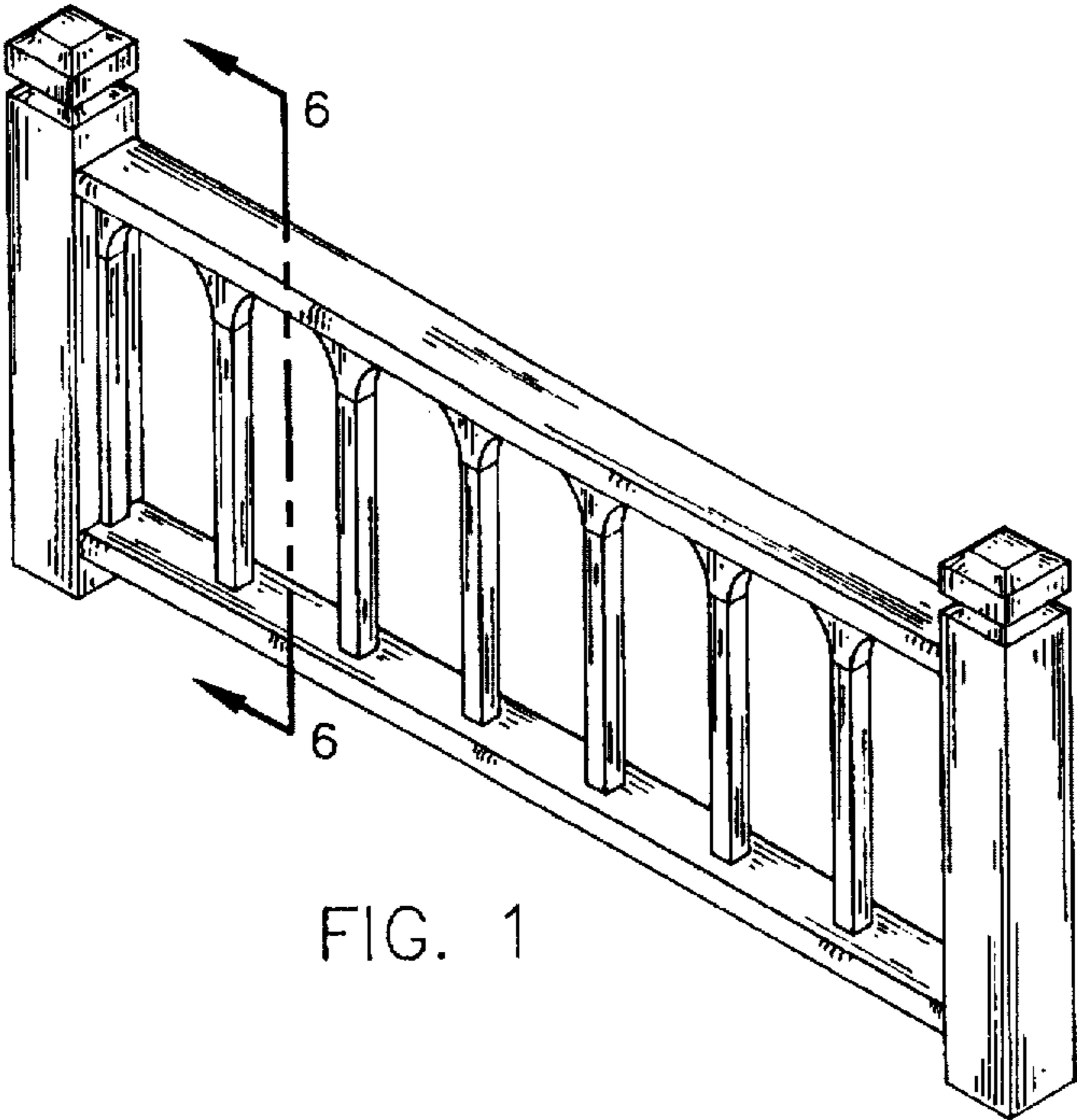


FIG. 1

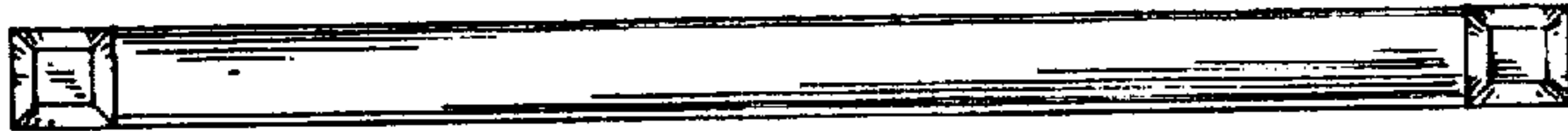


FIG. 2

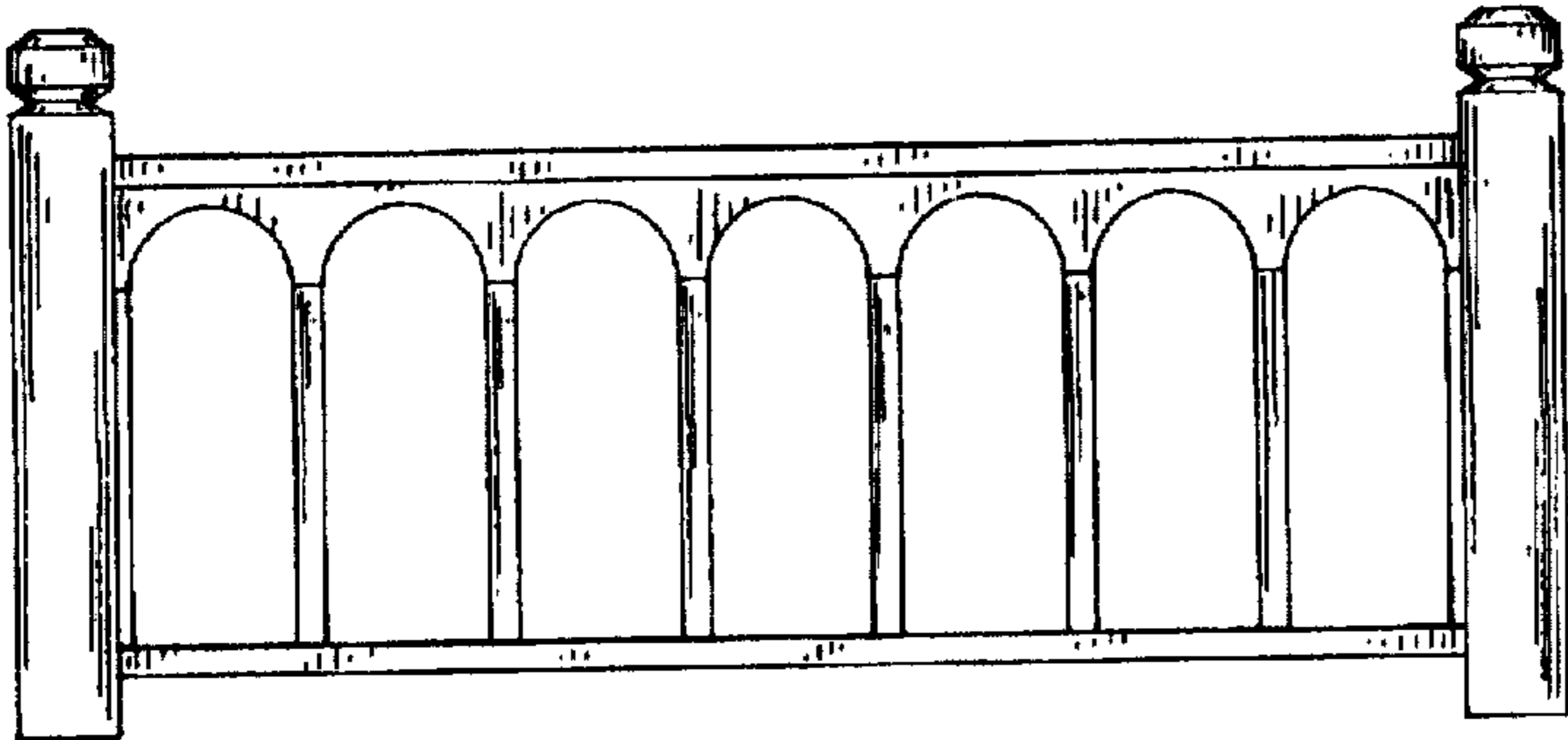


FIG. 3



FIG. 4

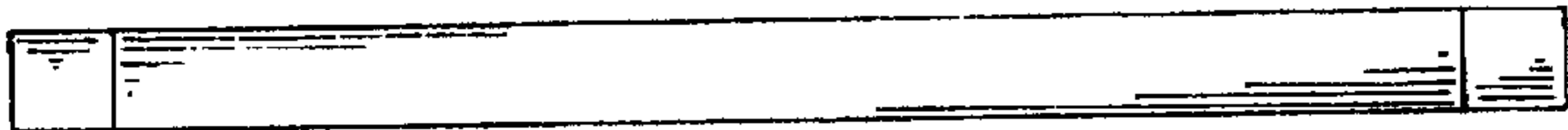


FIG. 5

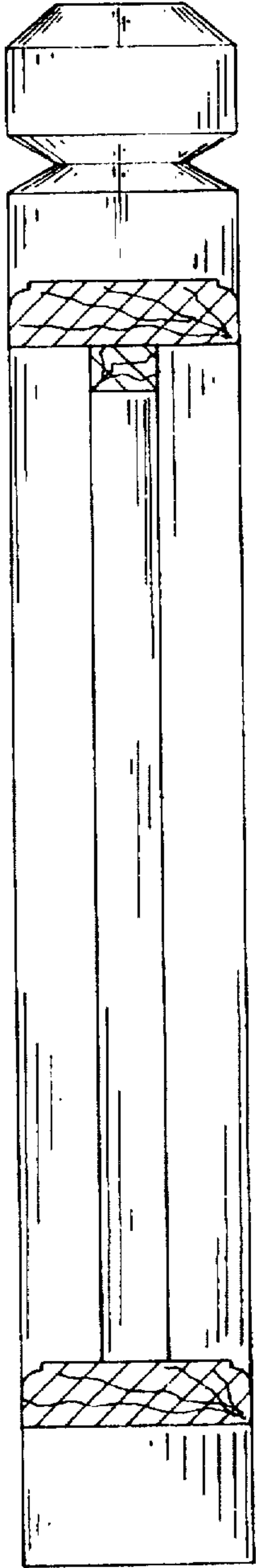


FIG. 6