

US00D387176S

United States Patent [19] Spring

[11] Patent Number: **Des. 387,176**
[45] Date of Patent: ****Dec. 2, 1997**

[54] **EVAPORATOR FLASK FOR A ROTARY EVAPORATOR**
[75] Inventor: **Arthur Spring**, Flawil, Switzerland
[73] Assignee: **Buchi Labortechnik AG**, Flawil, Switzerland
[**] Term: **14 Years**
[21] Appl. No.: **45,524**
[22] Filed: **Oct. 23, 1995**

D. 326,527 5/1992 Straus et al. D24/224
D. 340,993 11/1993 Bellotti D24/224
4,235,677 11/1980 Karamian 203/DIG. 2 X
4,678,753 7/1987 Hempel et al. D24/224 X
5,156,812 10/1992 Killough 203/DIG. 2 X
5,398,806 3/1995 Quinn 203/DIG. 2 X

Related U.S. Application Data

[63] Continuation-in-part of Ser. No. 183,319, Jan. 19, 1994, Pat. No. 5,536,374.
[51] **LOC (6) Cl.** **24-01**
[52] **U.S. Cl.** **D24/224**
[58] **Field of Search** D24/224, 121; 203/DIG. 2; 422/101; 202/175, 238, 205, 237, 236

OTHER PUBLICATIONS

Consolidated Plastic company "Consolidated Amber & Clear Glass bottles with caps" p. 6 ©1993.

Primary Examiner—Stella Reid
Attorney, Agent, or Firm—Shoemaker and Mattare, Ltd.

[57] CLAIM

The ornamental design for an evaporator flask for a rotary evaporator, as shown and described.

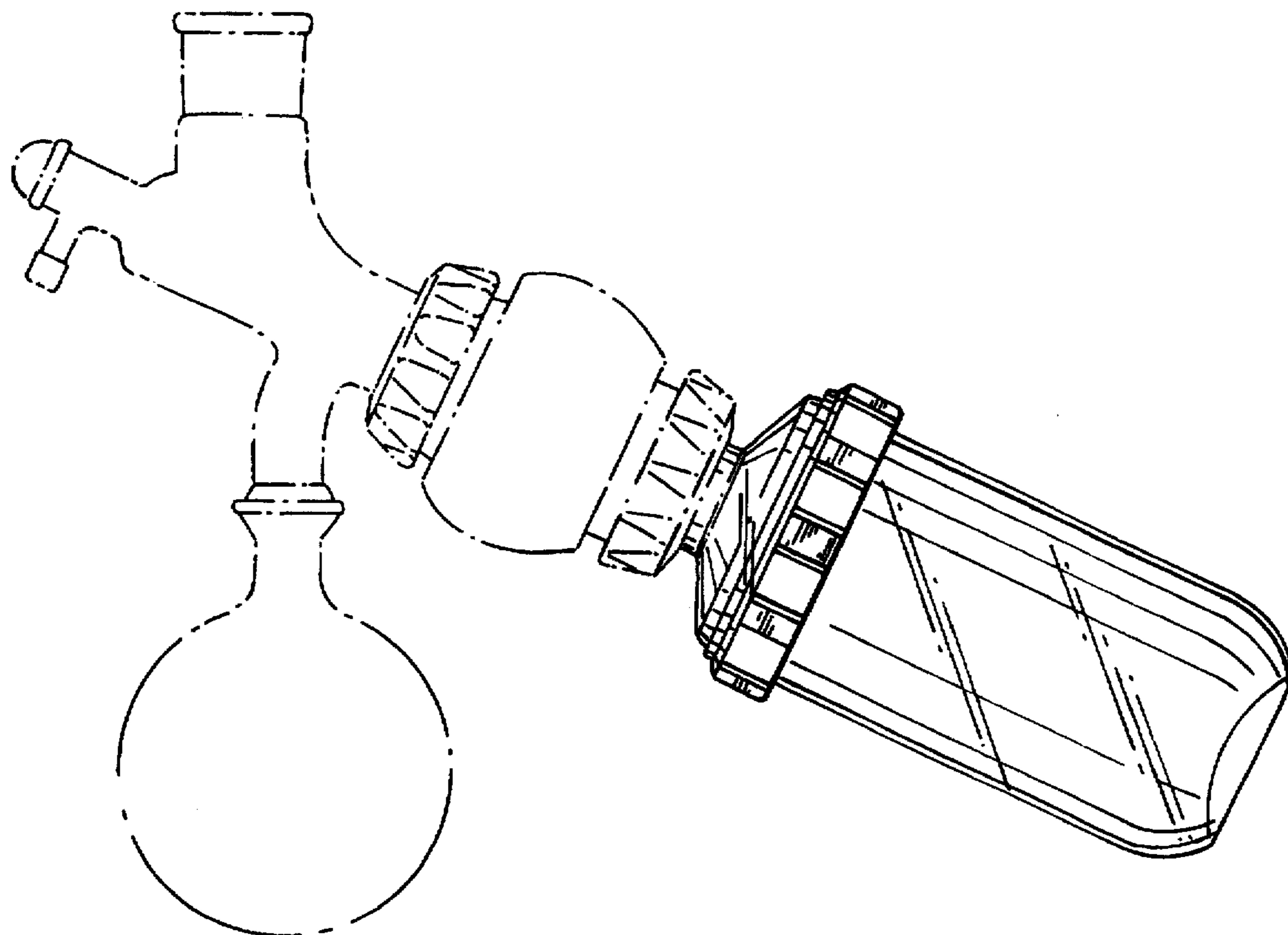
DESCRIPTION

FIG. 1 is a top plan view of an evaporator flask for a rotary evaporator, showing my new design;
FIG. 2 is a bottom plan view thereof;
FIG. 3 is a side elevational view thereof, with all other side elevational views being identical thereto, the broken line showing of the rotary evaporator being for illustrative purposes only and forming no part of the claimed design; and,
FIG. 4 is a perspective view of the flask.

[56] References Cited U.S. PATENT DOCUMENTS

D. 311,249 10/1990 Kasai D24/224 X
D. 318,917 8/1991 Karamian D24/224 X

1 Claim, 3 Drawing Sheets



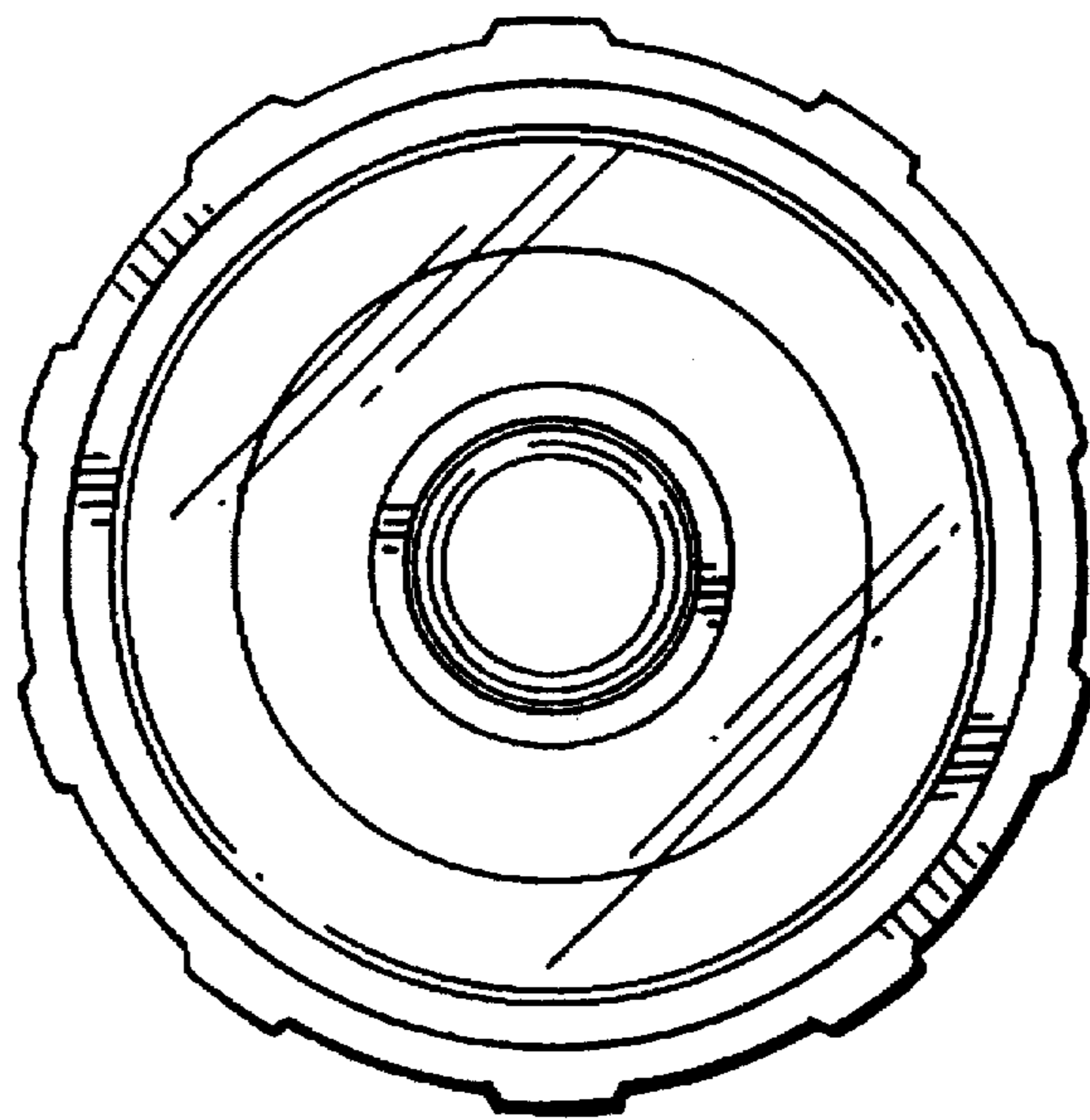


FIG. 1

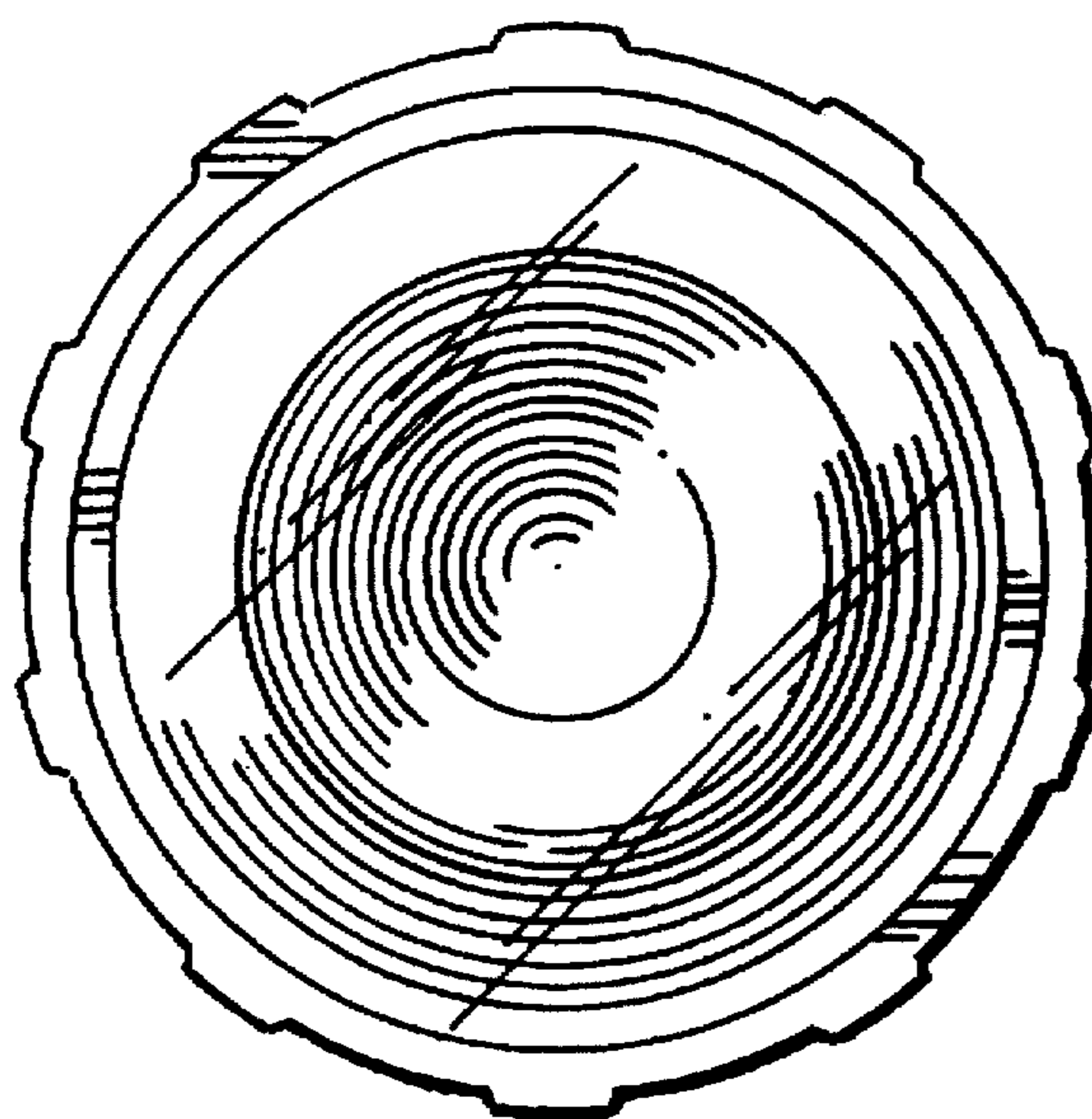


FIG. 2

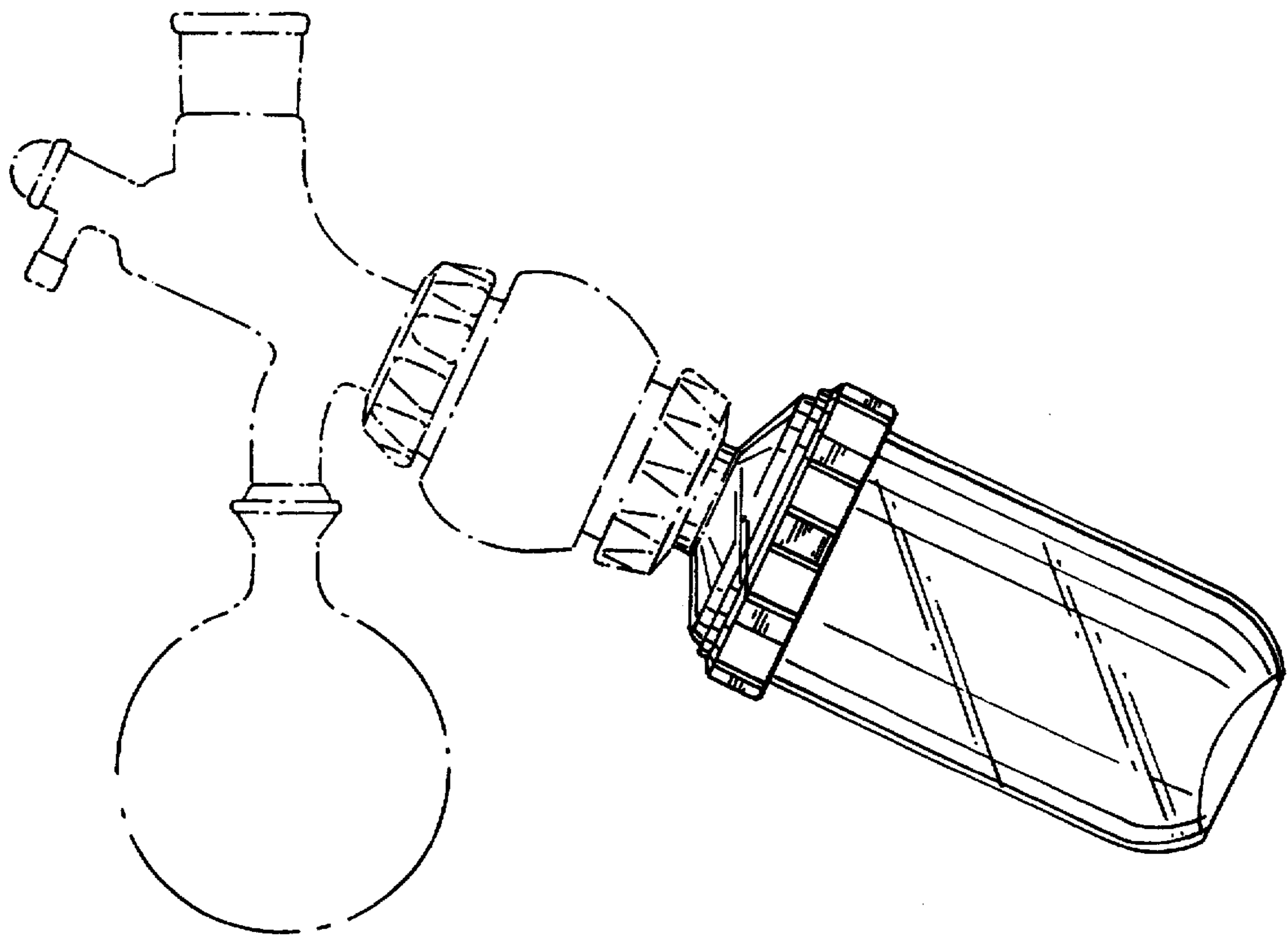


FIG. 3

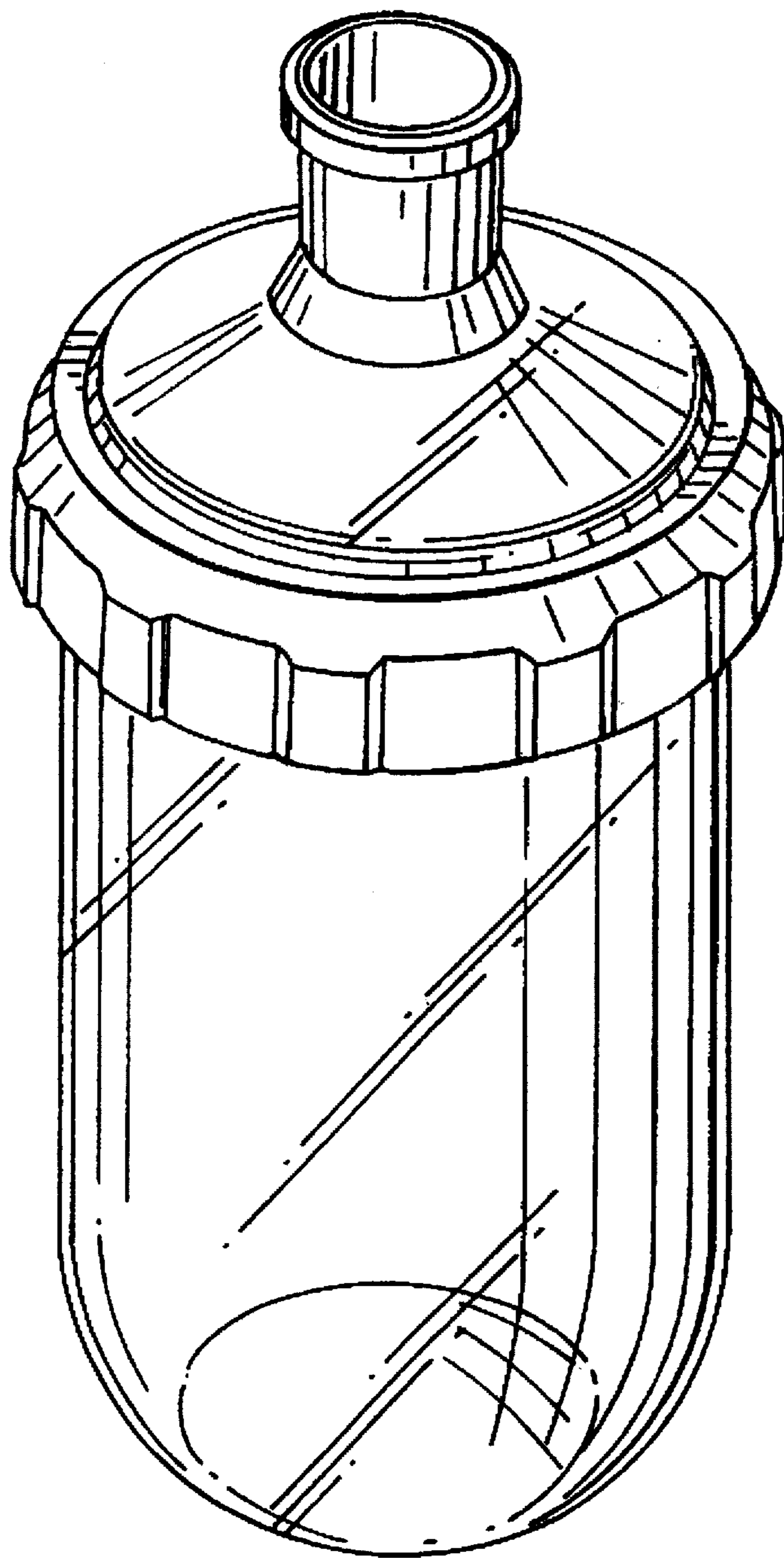


FIG. 4