



US00D387173S

United States Patent [19]

[11] Patent Number: **Des. 387,173**

Jeans

[45] Date of Patent: ****Dec. 2, 1997**

[54] **PORTABLE FOOT WASHER**

4,184,488 1/1980 Bielich D24/213 X
4,497,313 2/1985 Kurosawa 601/16

[76] Inventor: **Christopher A. Jeans**, P.O. Box 1690,
Litchfield, Conn. 06759

Primary Examiner—Stella Reid
Assistant Examiner—Eric Watterson
Attorney, Agent, or Firm—Perman & Green

[**] Term: **14 Years**

[57] **CLAIM**

[21] Appl. No.: **53,387**

The ornamental design for a "portable foot washer", as shown and described.

[22] Filed: **Apr. 19, 1996**

[51] **LOC (6) Cl.** **23-02**

DESCRIPTION

[52] **U.S. Cl.** **D24/213; D23/284**

FIG. 1 is a front perspective view from above and one side of a portable foot washer showing my new design;

[58] **Field of Search** D23/284, 285,

FIG. 2 is a top plan view thereof;

D23/280.3; D24/212, 213; 4/494, 615;

FIG. 3 is a side view the opposite side being a mirror image thereof;

239/543, 578; 601/16, 78, 156, 157

FIG. 4 is a rear plan view thereof;

[56] **References Cited**

U.S. PATENT DOCUMENTS

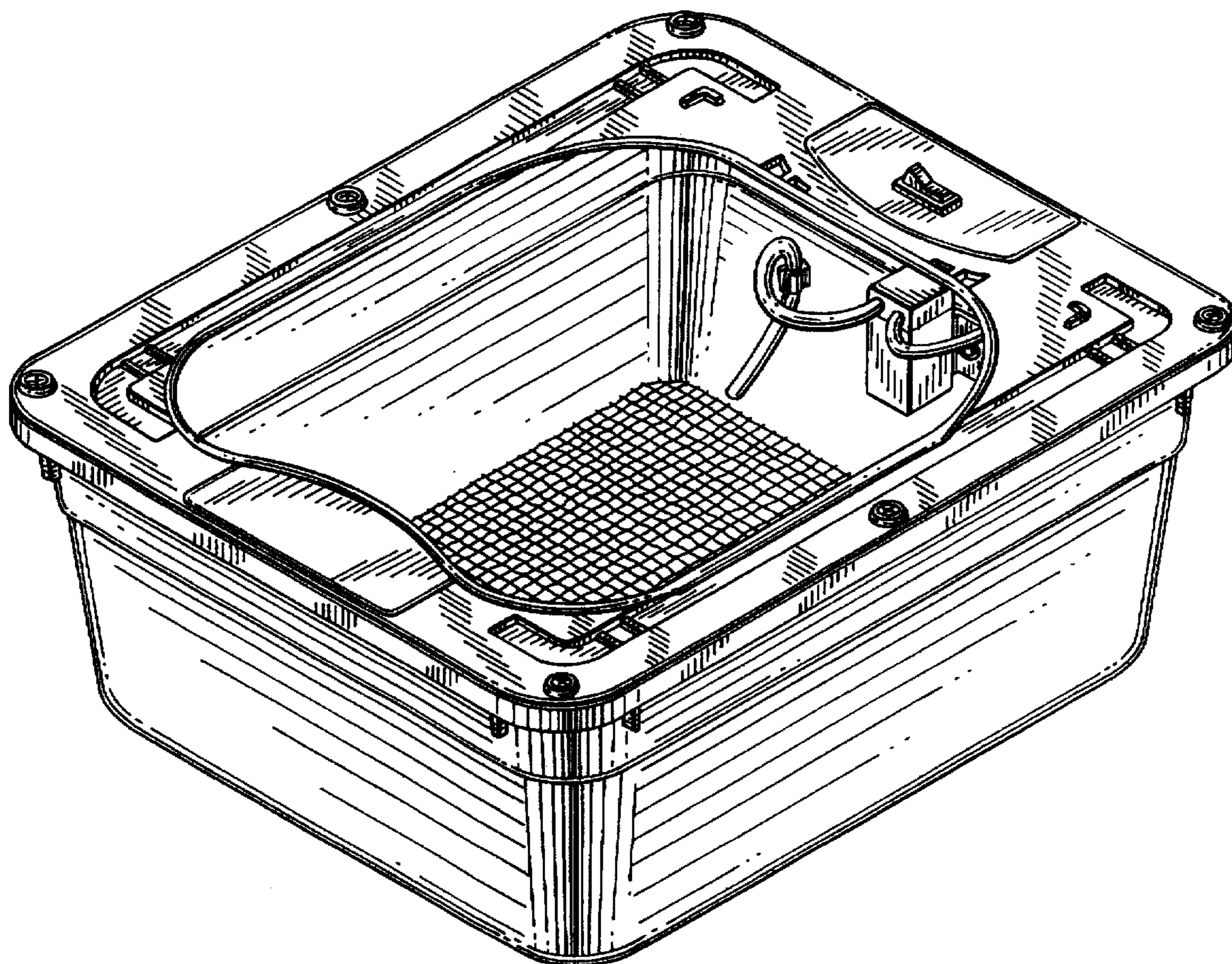
- D. 330,426 10/1992 Elkerbout D24/213
- D. 363,555 10/1995 Lie D24/213
- D. 364,466 11/1995 Assmann et al. D24/213
- 3,881,471 5/1975 Grube D24/213 X

FIG. 5 is a front plan view thereof;

FIG. 6 is a bottom plan view thereof; and,

FIG. 7 is a sectional view taken along line 7—7 in FIG. 2 thereof.

1 Claim, 5 Drawing Sheets



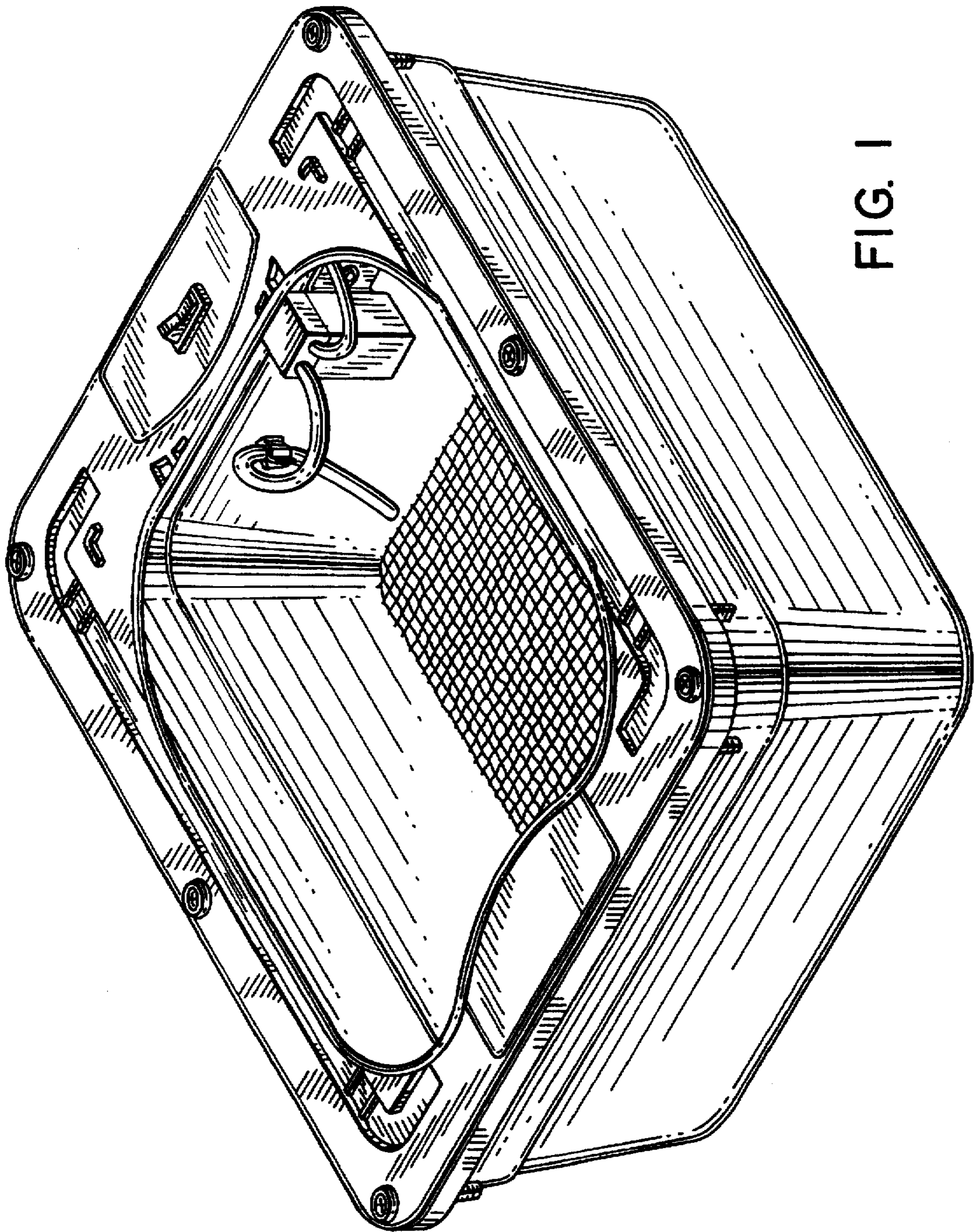


FIG. 1

FIG. 2

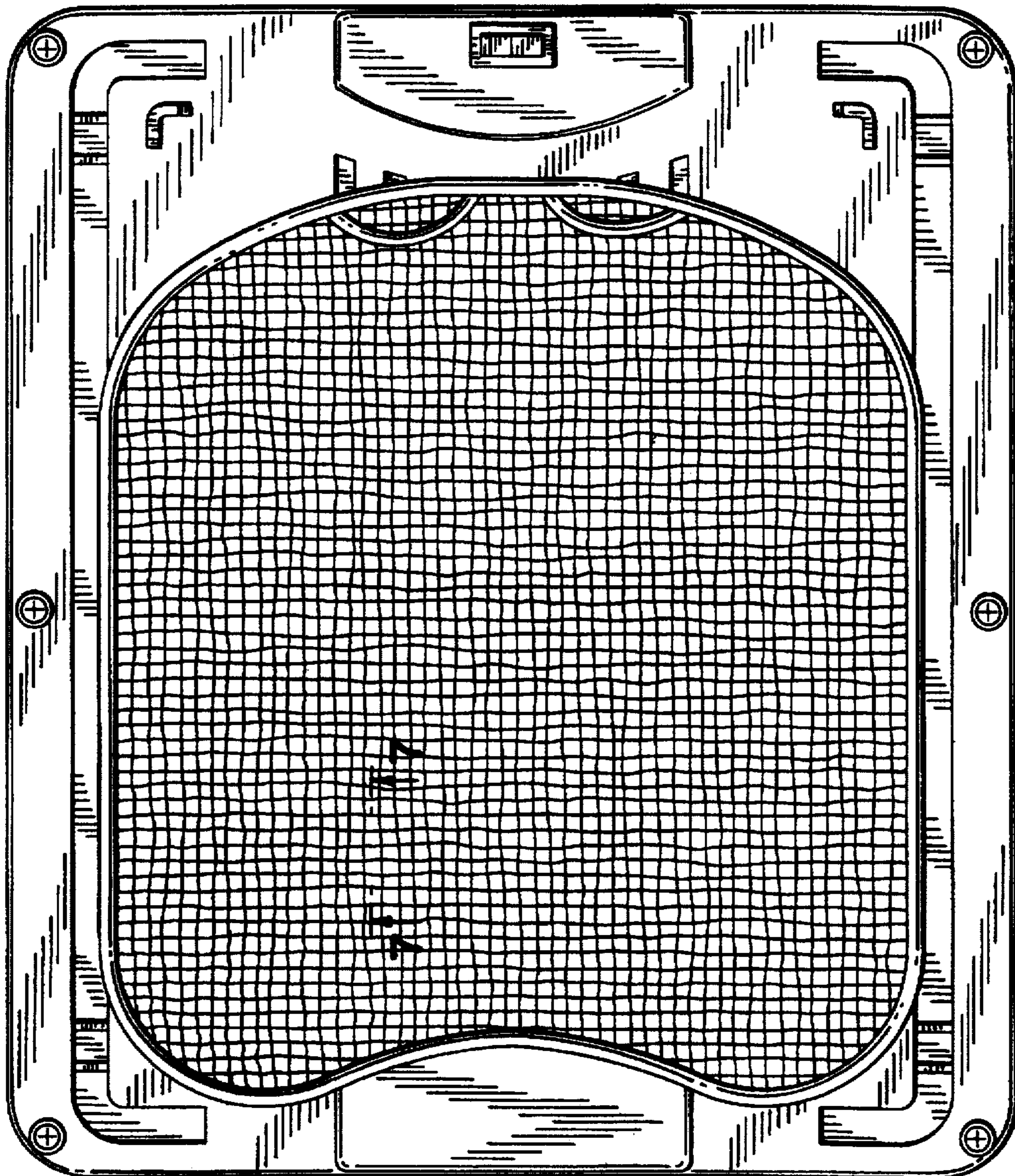




FIG. 7

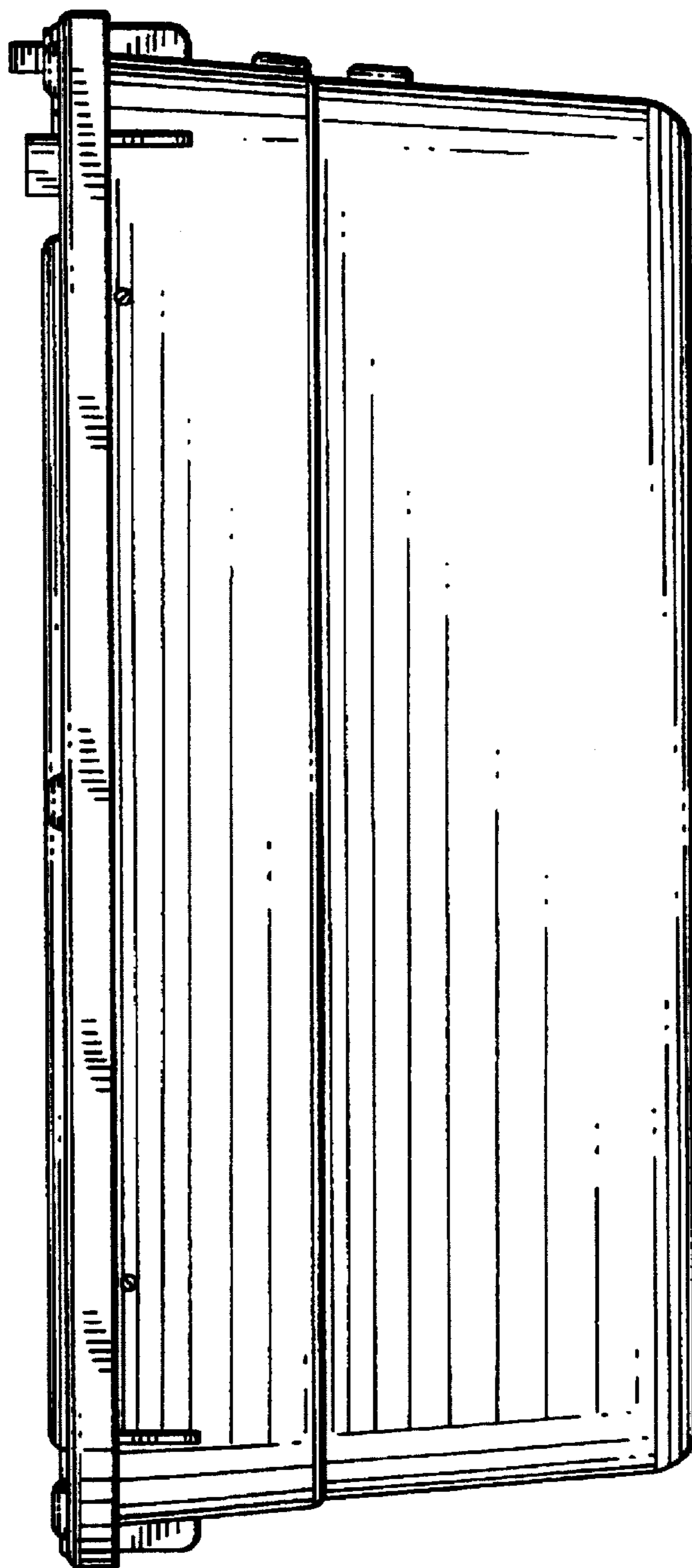


FIG. 3

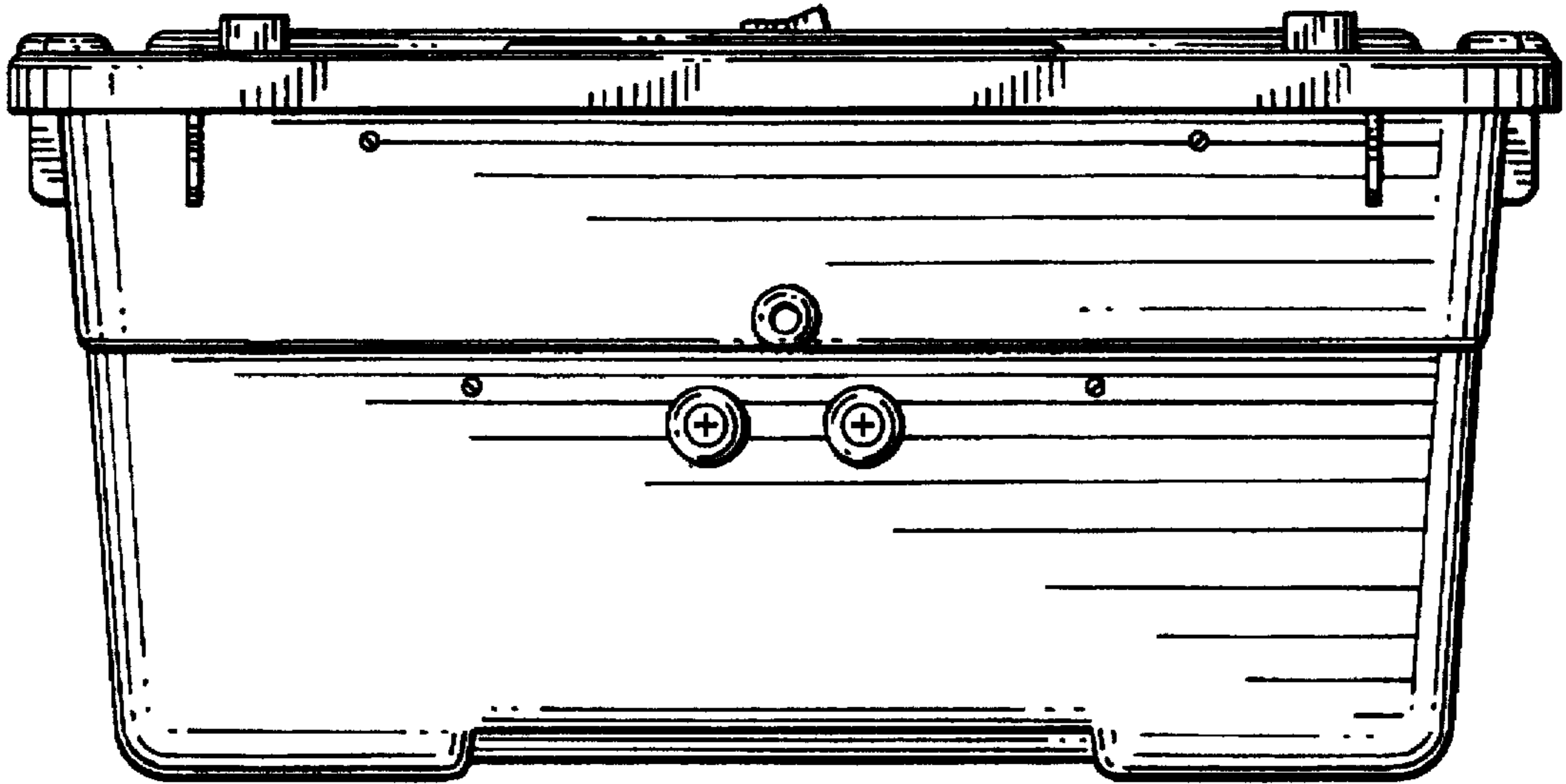


FIG. 4

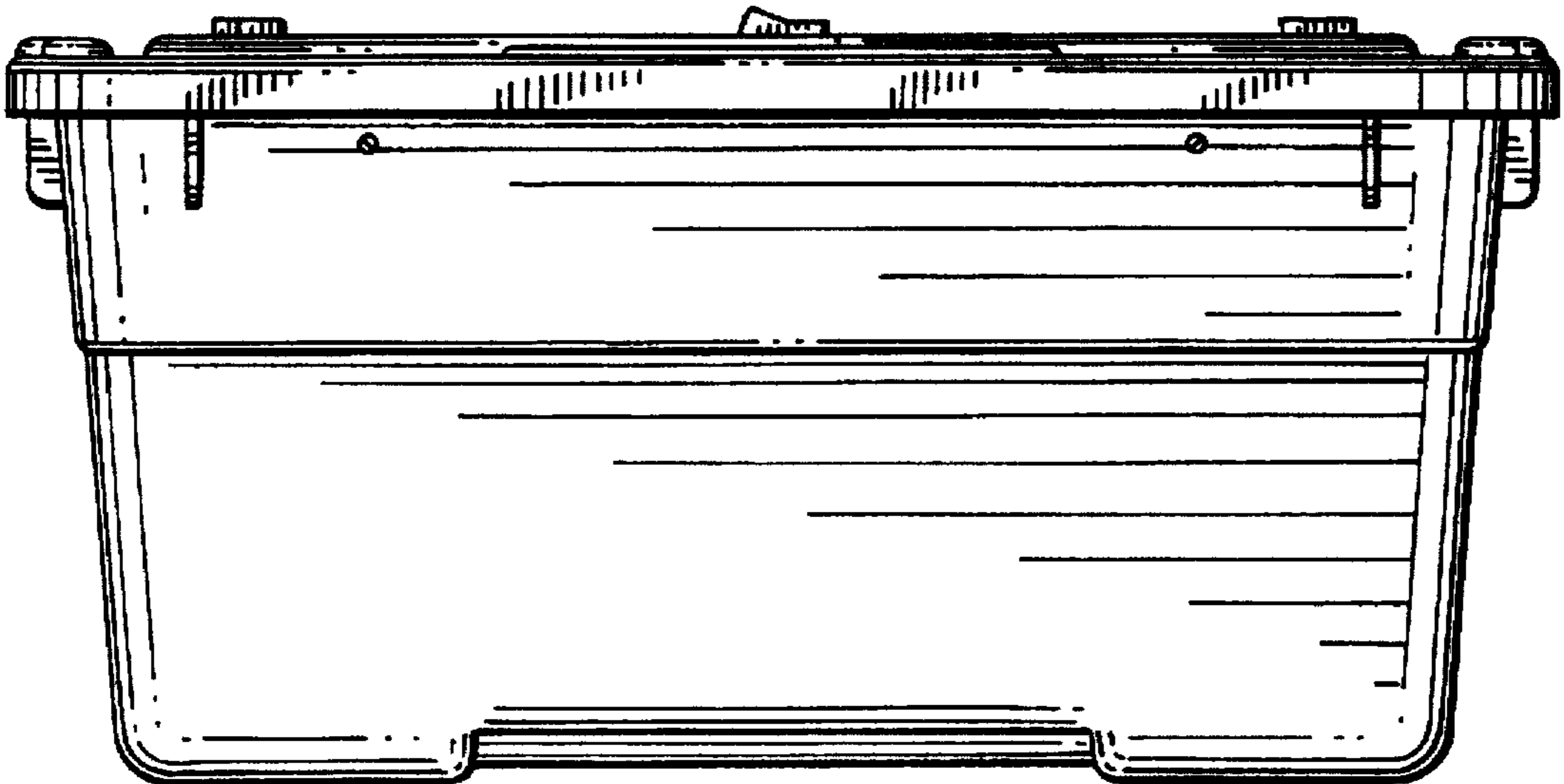


FIG. 5

FIG. 6

