



US00D387170S

United States Patent [19]
Schuster

[11] **Patent Number:** **Des. 387,170**
[45] **Date of Patent:** ****Dec. 2, 1997**

[54] **TRANSFER DEVICE FOR HUMAN PATIENTS**

[75] **Inventor:** **Jürg O. Schuster**, Zumikon, Switzerland

[73] **Assignee:** **Samarit Medizintechnik Aktiengesellschaft**, Zumikon, Switzerland

[**] **Term:** **14 Years**

[21] **Appl. No.:** **53,795**

[22] **Filed:** **Apr. 30, 1996**

[30] **Foreign Application Priority Data**

Nov. 3, 1995 [XH] Hague Agreement DM/034609

[51] **LOC (6) Cl.** **24-04**

[52] **U.S. Cl.** **D24/190**

[58] **Field of Search** D24/190; 128/870, 128/876; 5/81.1 R. 81.1 HS. 84.1, 89.1, 625, 628

[56] **References Cited**

U.S. PATENT DOCUMENTS

D. 328,351	7/1992	Ott	D24/190
D. 364,684	11/1995	Bonn et al.	D24/191
4,369,982	1/1983	Hein et al.	5/625
4,895,173	1/1990	Brault et al.	128/870
5,271,110	12/1993	Newman	5/81.1

Primary Examiner—Stella Reid
Attorney, Agent, or Firm—Koda and Androlia

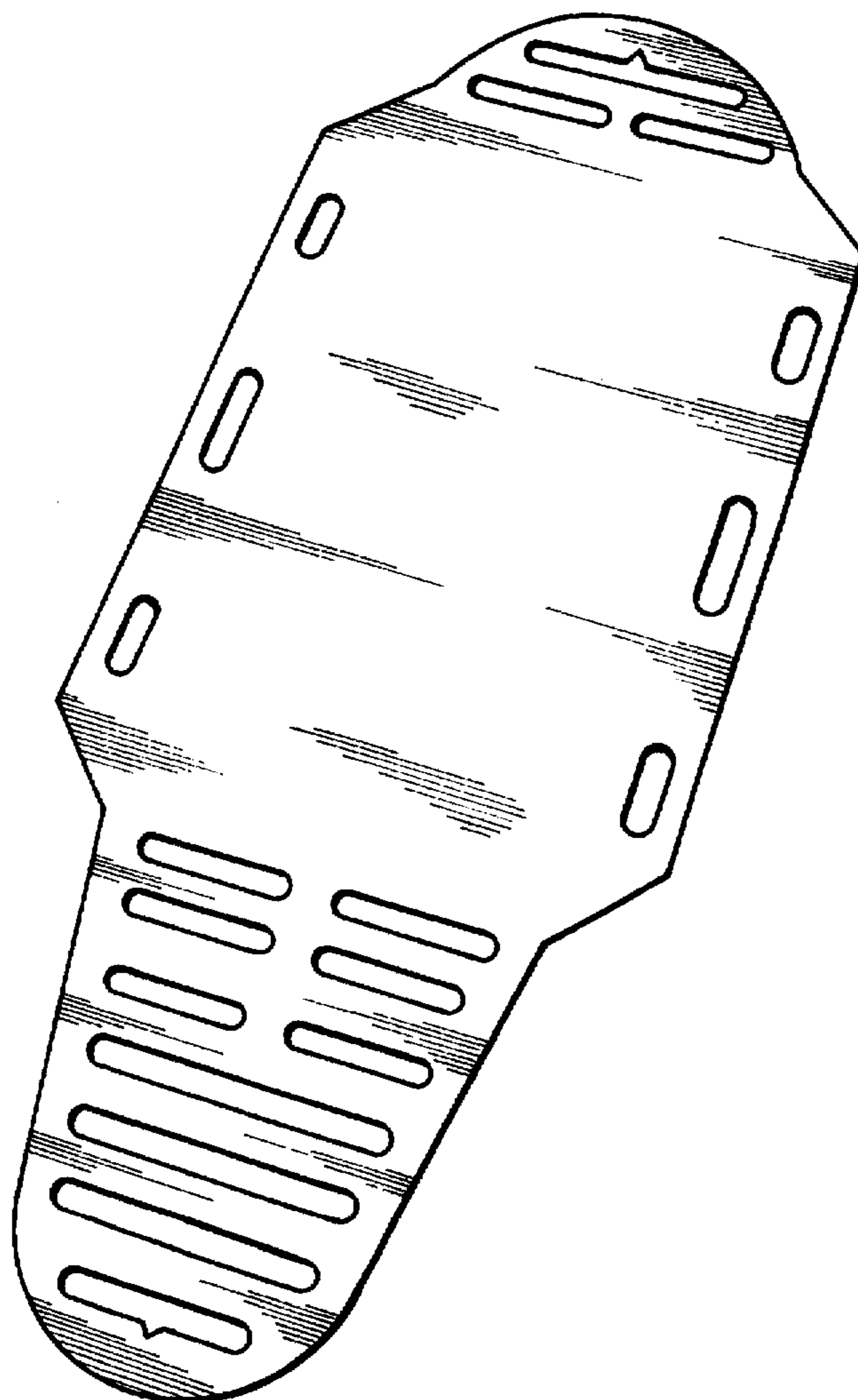
[57] **CLAIM**

The ornamental design for a transfer device for human patients, as shown and described.

DESCRIPTION

FIG. 1 is a perspective view of the transfer device for human patients showing my new design;
FIG. 2 is a right side elevational view thereof, the left side elevational view being a mirror image to the right side view;
FIG. 3 is a front elevational view thereof; and,
FIG. 4 is a rear elevational view thereof.

1 Claim, 2 Drawing Sheets



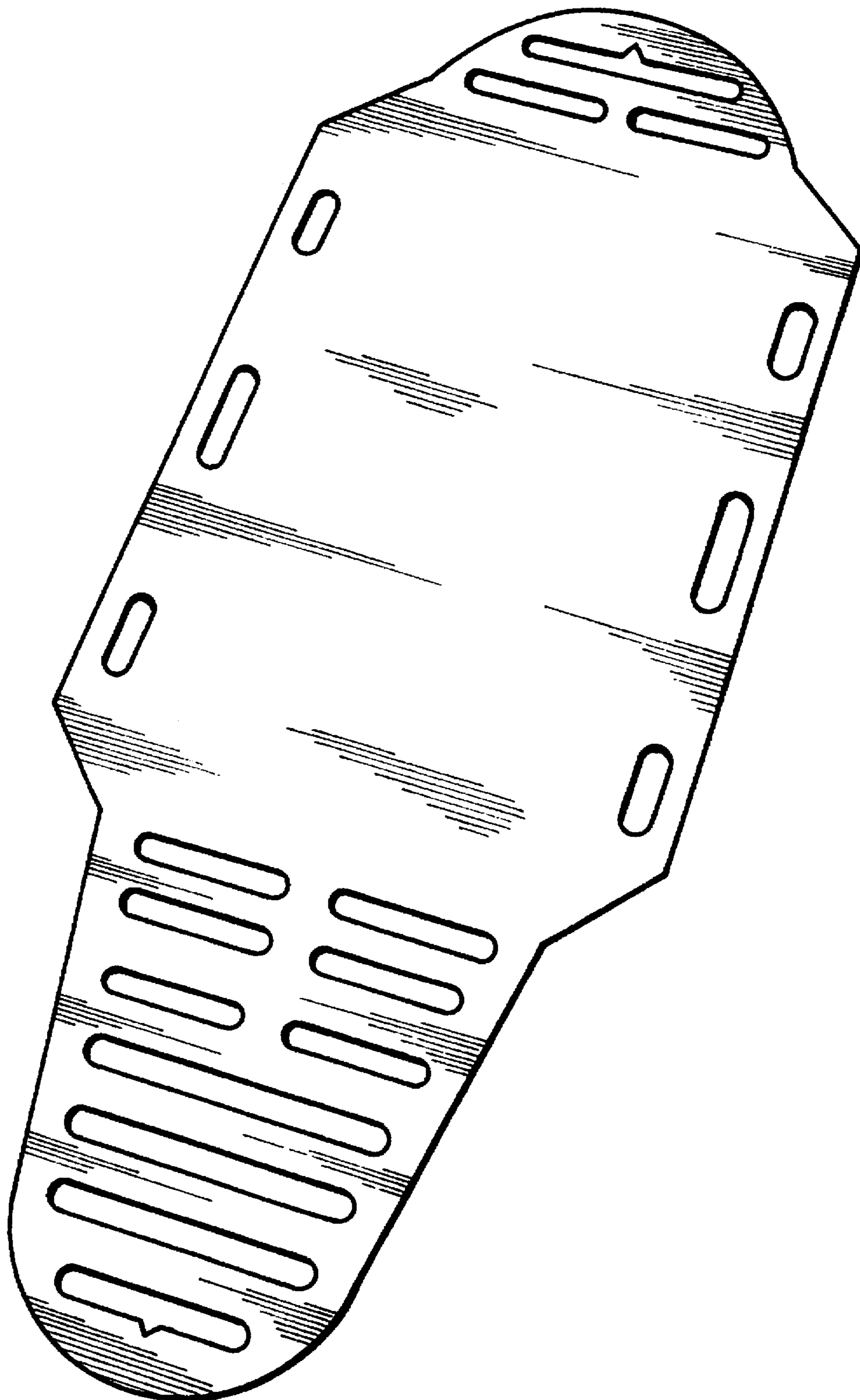


Fig. 1

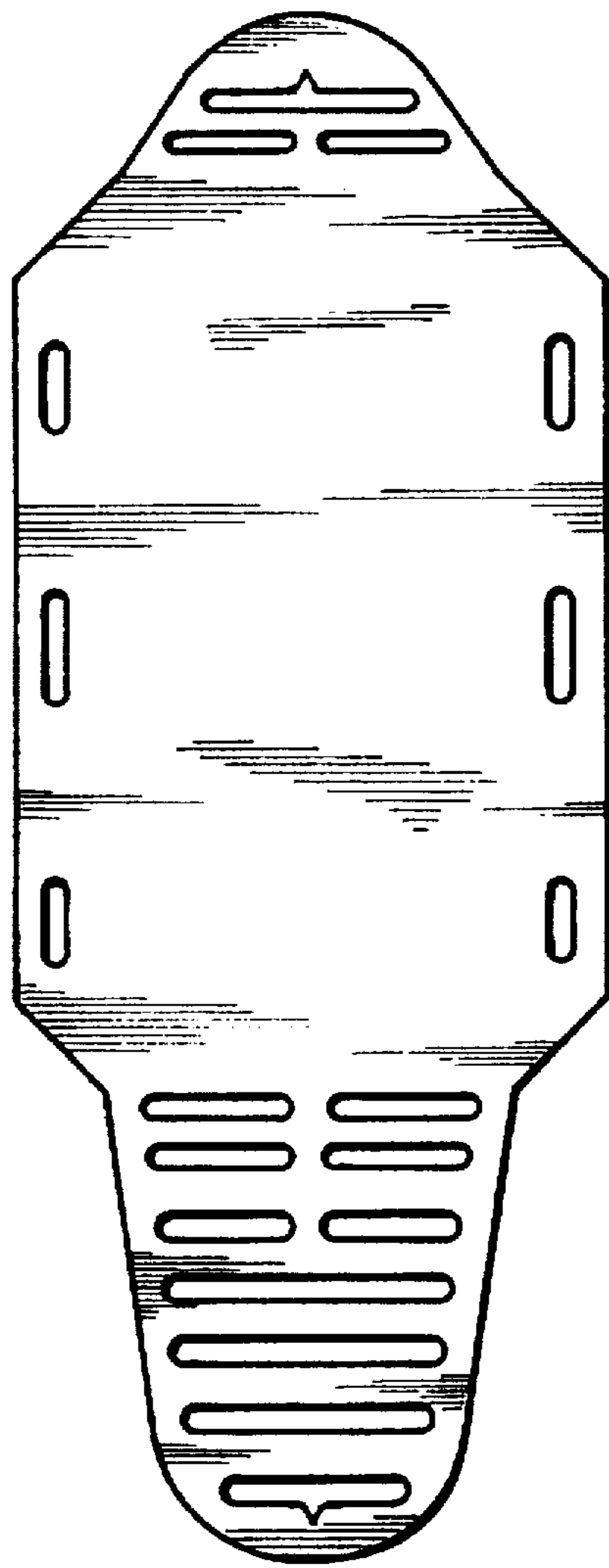


Fig. 2

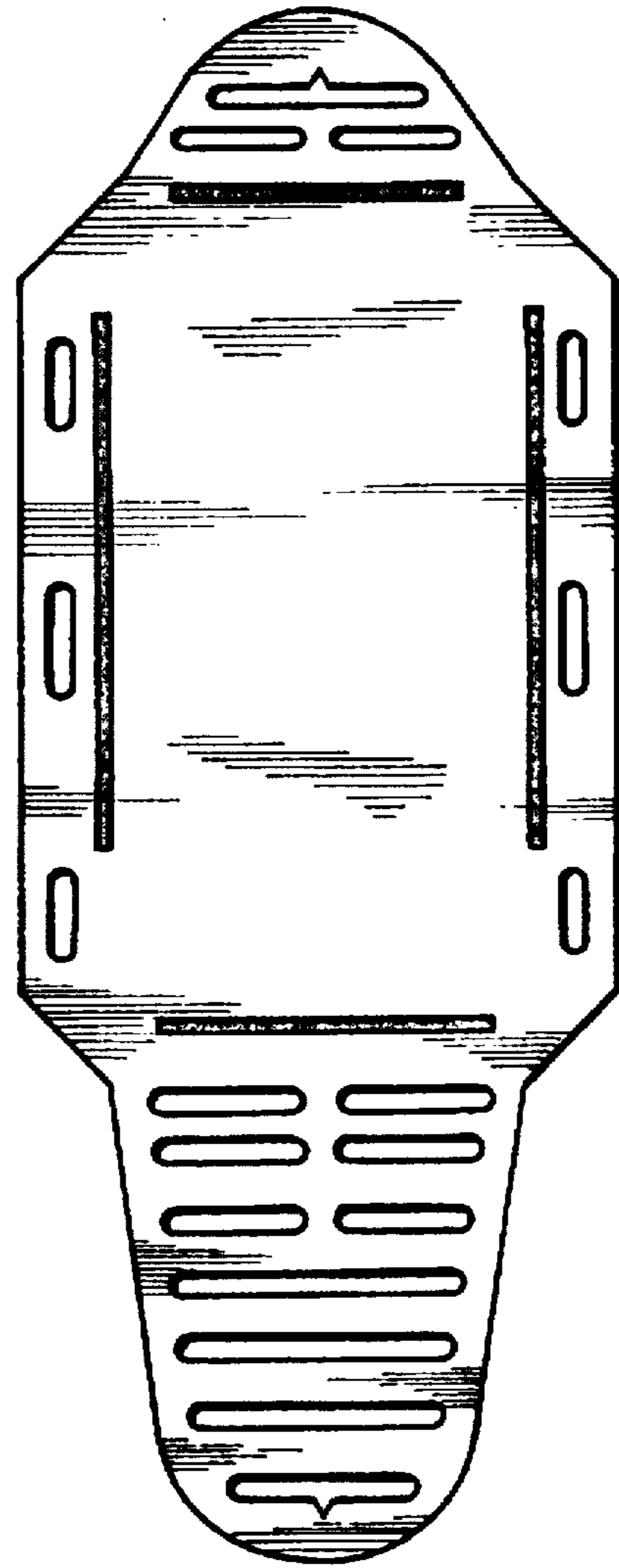


Fig. 3

Fig. 4