

US00D387167S

United States Patent [19]
Klein

[11] **Patent Number: Des. 387,167**
[45] **Date of Patent: **Dec. 2, 1997**

[54] **LIPOSUCTION PATIENT POSITIONING SUPPORT**

[76] **Inventor: Jeffrey A. Klein, 30280 Rancho Viejo Rd., San Juan Capistrano, Calif. 92675**

[**] **Term: 14 Years**

[21] **Appl. No.: 55,823**

[22] **Filed: May 3, 1996**

[51] **LOC (6) Cl. 24-04**

[52] **U.S. Cl. D24/183**

[58] **Field of Search D24/183, 184; 5/630, 646, 648, 652; D6/601, 595**

[56] **References Cited**

U.S. PATENT DOCUMENTS

| | | | |
|------------|---------|------------------|---------|
| D. 254,029 | 1/1980 | Barbagallo | D24/183 |
| D. 359,804 | 6/1995 | Carter | D24/183 |
| 3,995,846 | 12/1976 | Frick | 5/646 |
| 5,477,866 | 12/1995 | Davenport | 5/648 |

Primary Examiner—Stella Reid
Attorney, Agent, or Firm—Stetina Brunda Garred & Brucker

[57] **CLAIM**

The ornamental design for a liposuction patient positioning support, as shown and described.

DESCRIPTION

FIG. 1 is a top front perspective view of the liposuction patient positioning support of the present invention showing my new design;

FIG. 2 is a top plan view thereof;

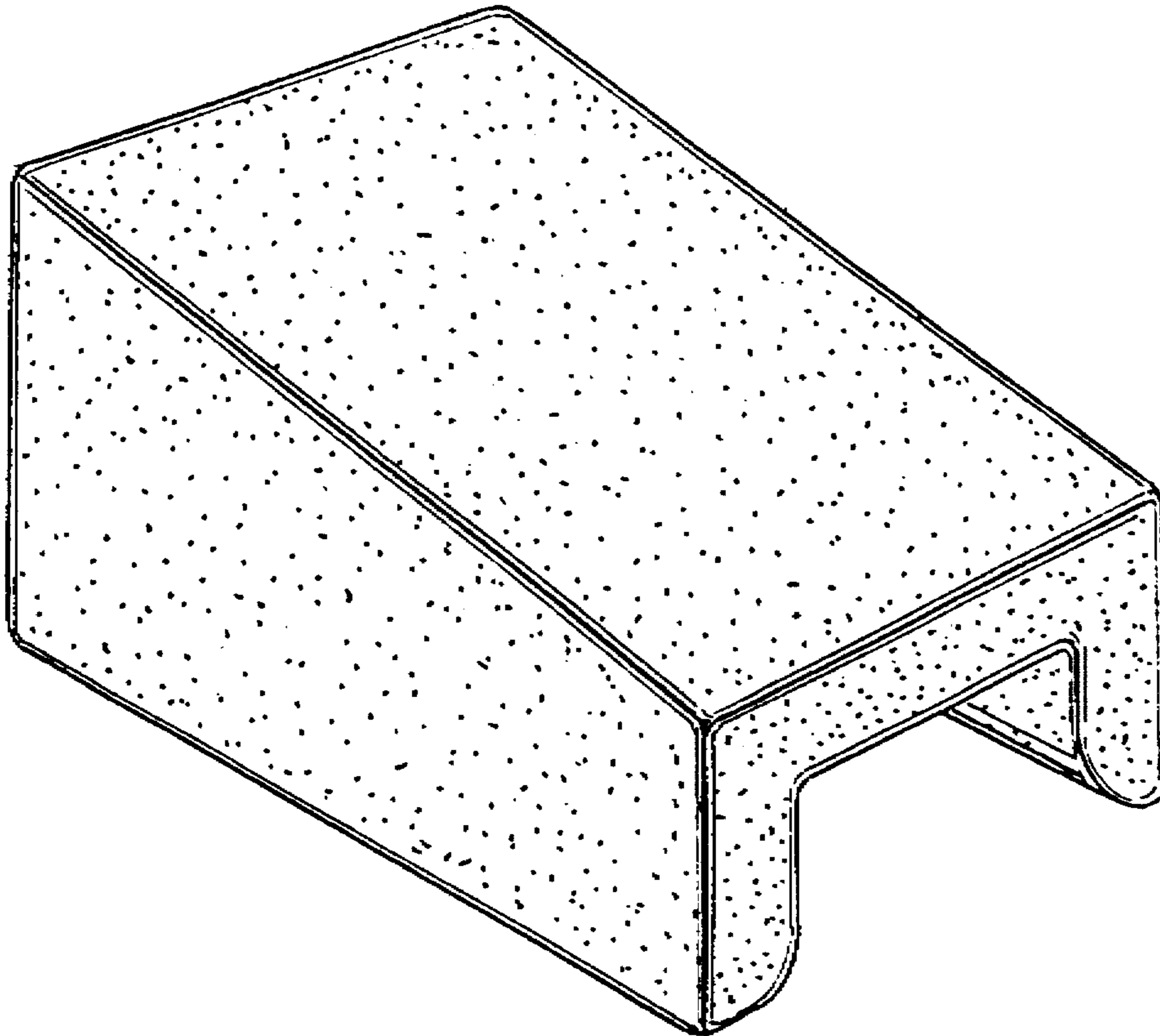
FIG. 3 is a bottom plan view thereof;

FIG. 4 is a side elevational view thereof, the opposite side elevational view being identical thereto;

FIG. 5 is a rear end elevational view thereof; and,

FIG. 6 is a front end elevational view thereof.

1 Claim, 1 Drawing Sheet



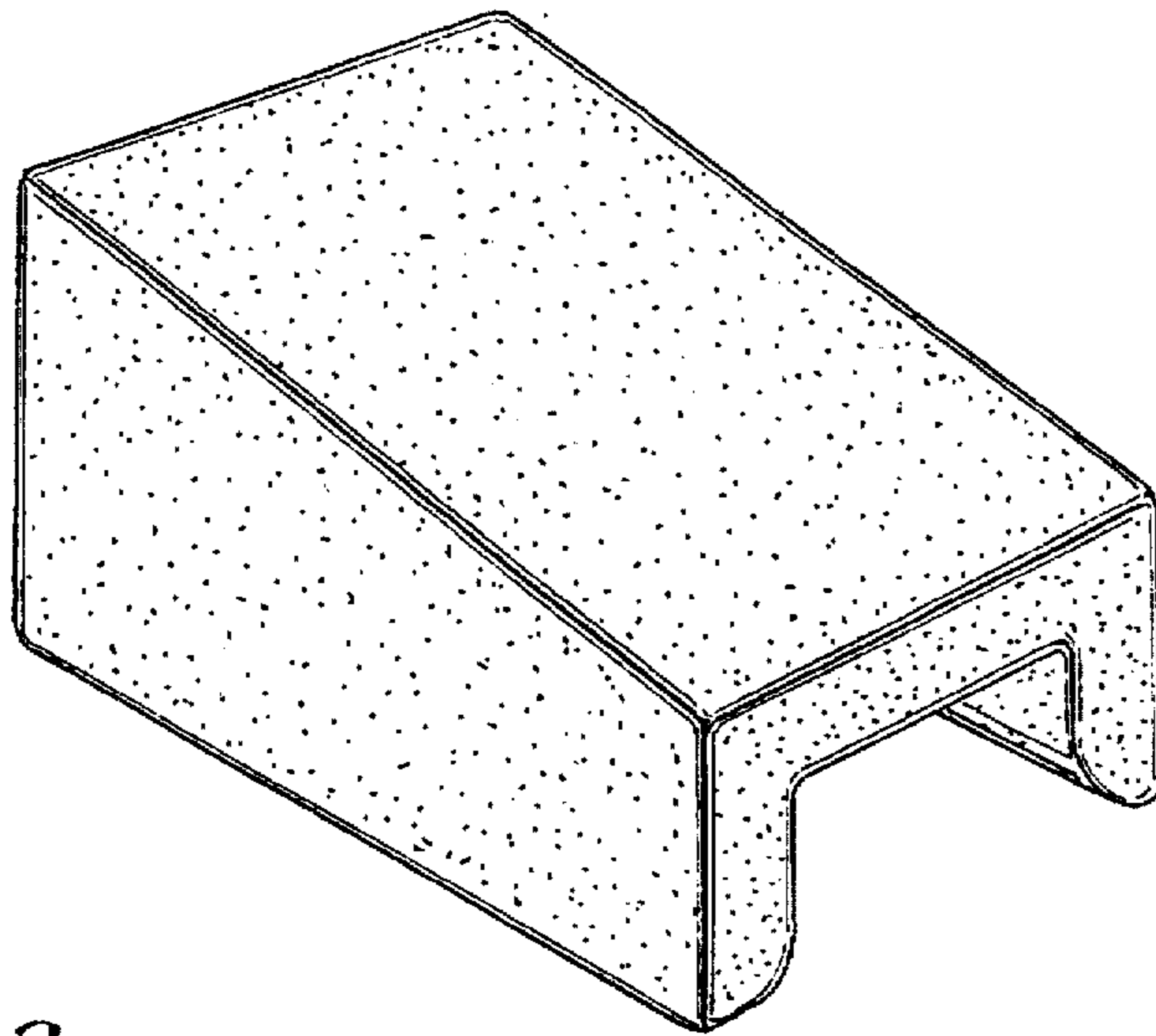


Fig. 1

Fig. 2

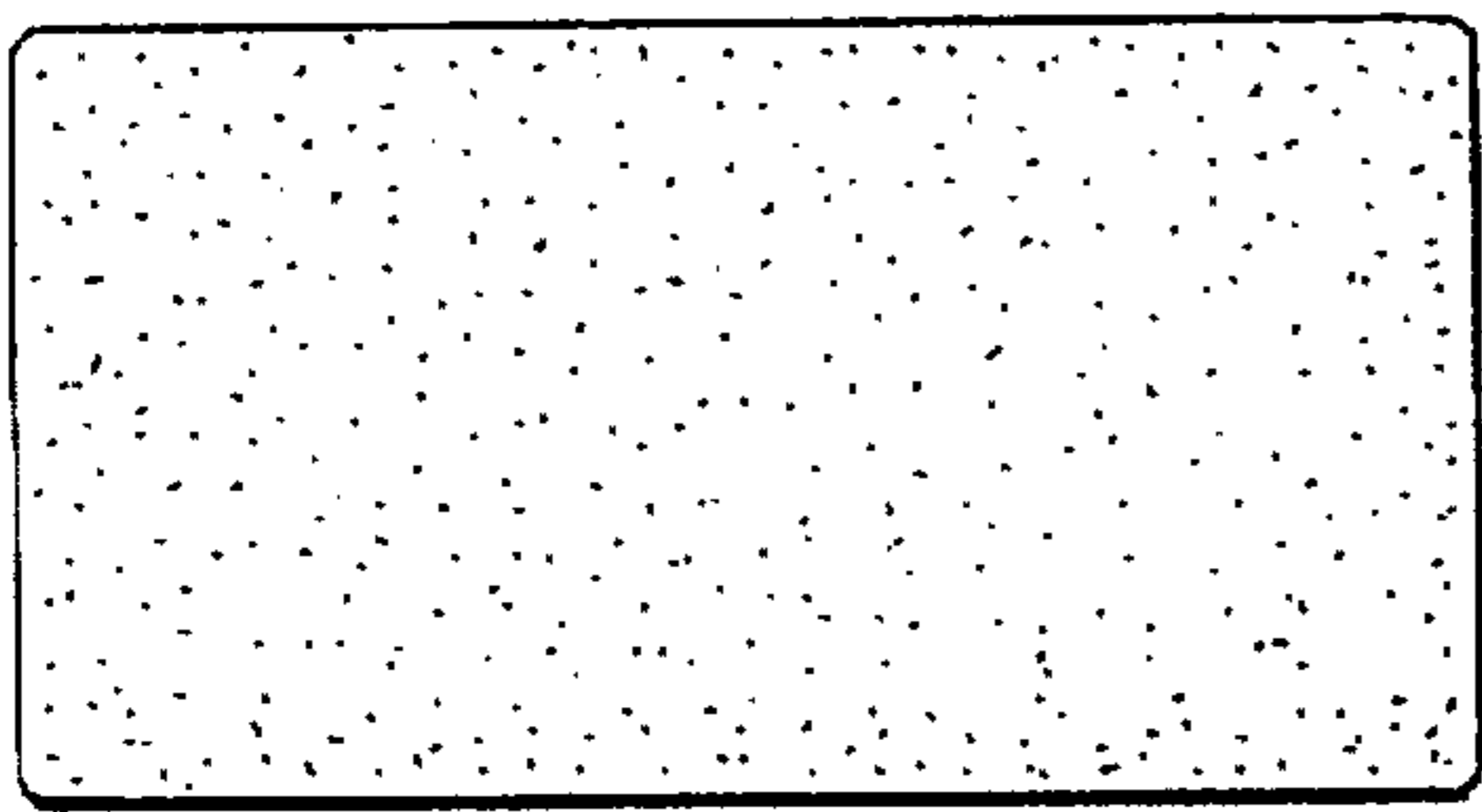


Fig. 3

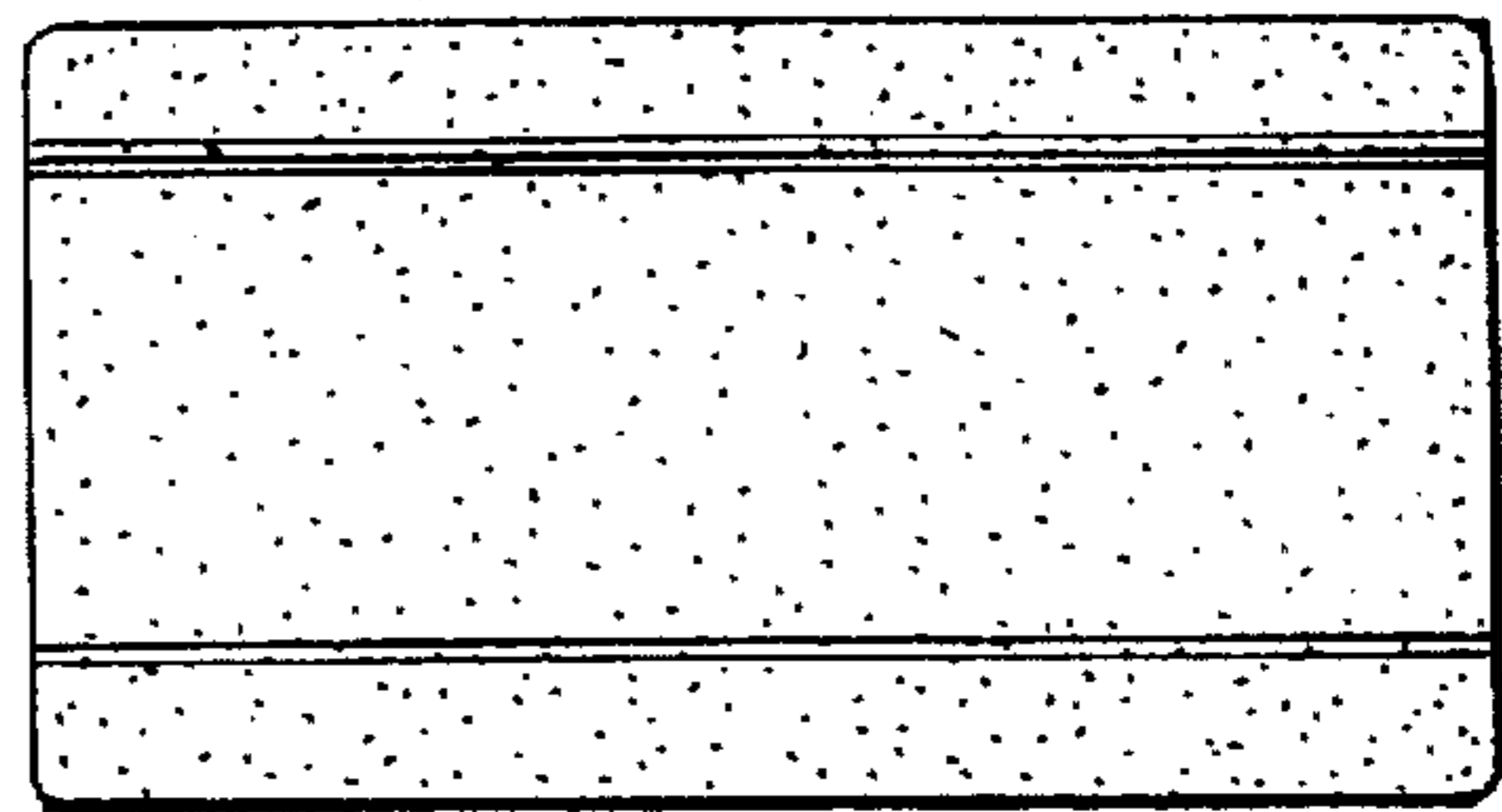


Fig. 4

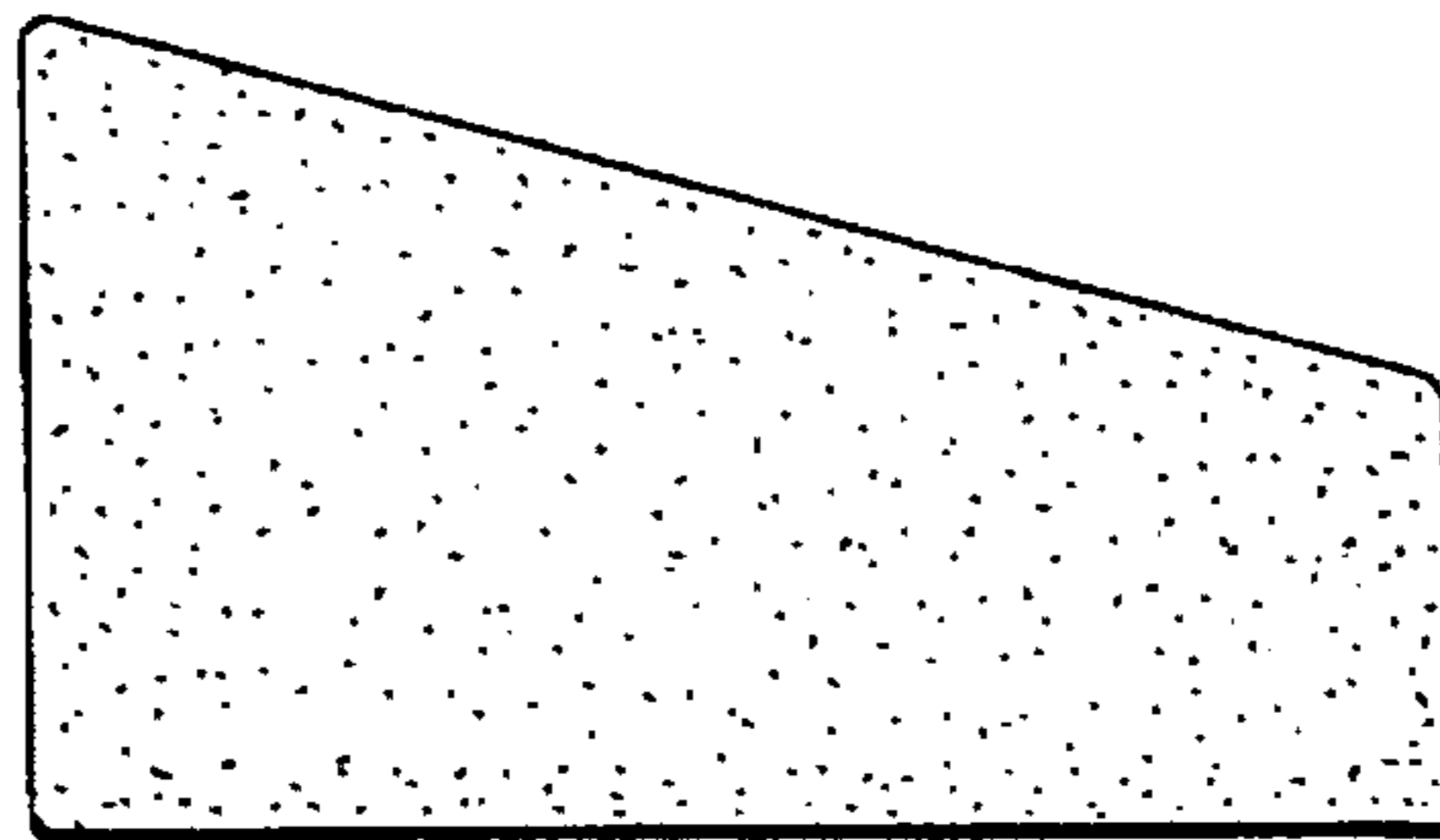


Fig. 5

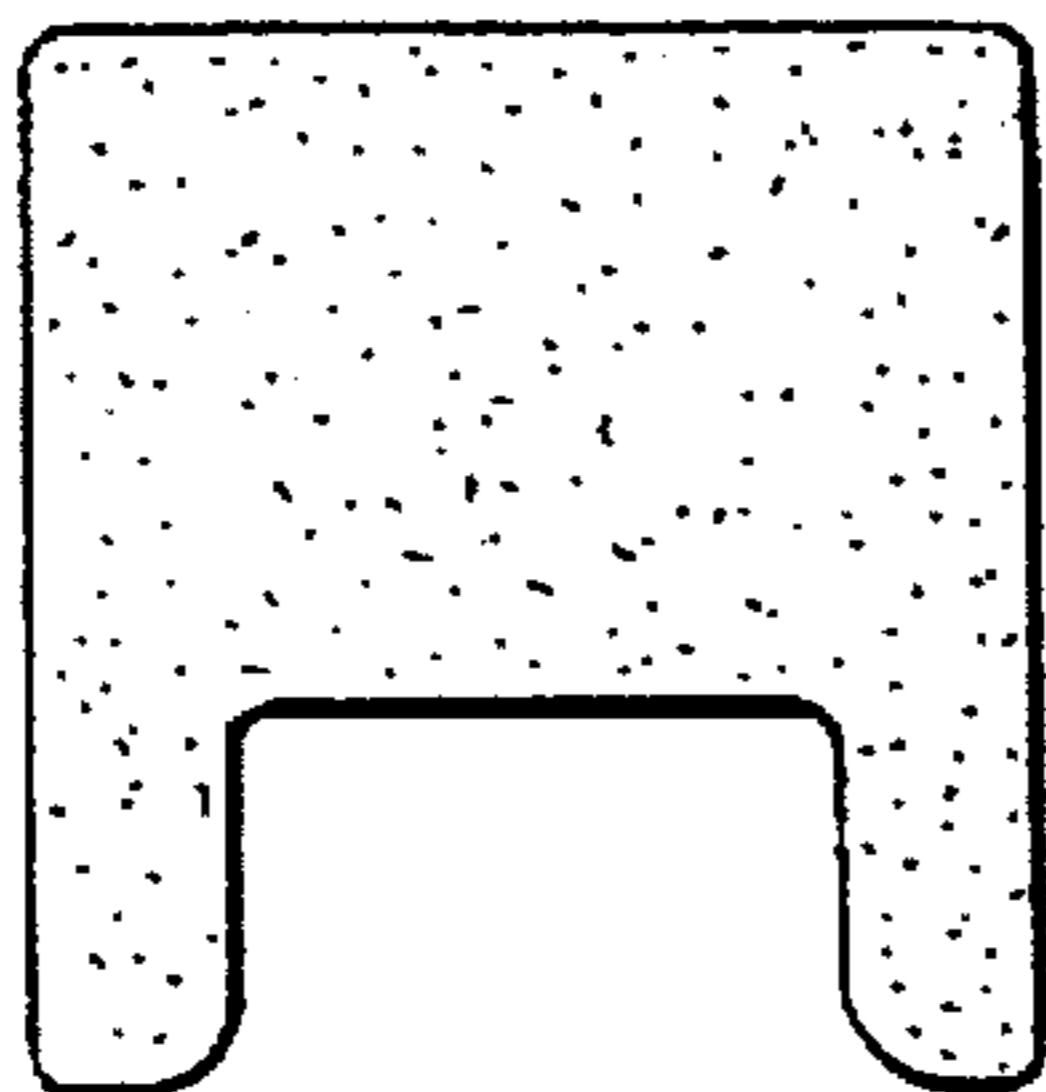


Fig. 6

