



US00D387163S

United States Patent [19]

[11] Patent Number: **Des. 387,163**

Osthues et al.

[45] Date of Patent: ****Dec. 2, 1997**

[54] **X-RAY IRRADIATION UNIT FOR A DENTAL X-RAY DIAGNOSTICS INSTALLATION**

Primary Examiner—Stella Reid
Attorney, Agent, or Firm—Hill, Steadman & Simpson

[75] Inventors: **Annke Osthues**, Munich; **Tilman Phleps**, Lorsch, both of Germany

[57] **CLAIM**

The ornamental design for an x-ray irradiation unit for a dental x-ray diagnostics installation, as shown and described.

[73] Assignee: **Siemens Aktiengesellschaft**, Munich, Germany

DESCRIPTION

[**] Term: **14 Years**

FIG. 1 is a perspective view of an x-ray irradiation unit for a dental x-ray diagnostics installation, the broken line showing of the wall adapter and multi-element bracket is for illustrative purposes only and forms no part of the claimed design;

[21] Appl. No.: **44,211**

FIG. 2 is a front elevational view of the x-ray irradiation unit illustrated in FIG. 1;

[22] Filed: **Sep. 20, 1995**

FIG. 3 is a side elevational view of the right side of the x-ray irradiation unit of FIG. 2;

[30] **Foreign Application Priority Data**

Mar. 20, 1995 [XH] Hague Agreement DM/032459

FIG. 4 is a side elevational view of the left side of the x-ray irradiation unit of FIG. 3;

[51] LOC (6) CL **24-01**

FIG. 5 is a back elevational view of the x-ray irradiation unit of FIG. 1;

[52] U.S. Cl. **D24/158**

[58] Field of Search D24/158; 378/168, 378/167, 170

FIG. 6 is a top plan view of the x-ray irradiation unit of FIG. 2; and

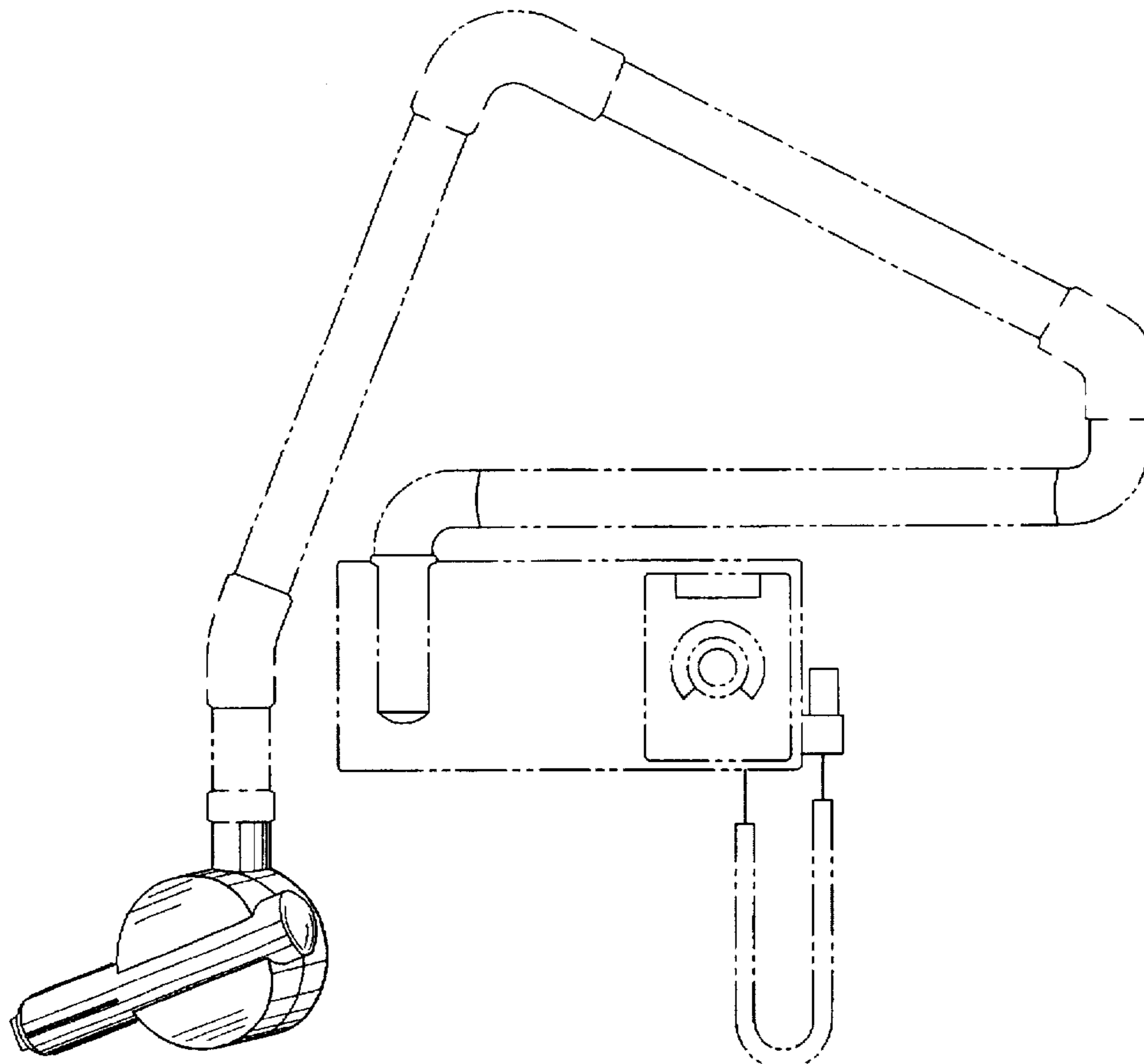
[56] **References Cited**

U.S. PATENT DOCUMENTS

- 4,057,733 11/1977 Hofmockel et al. 378/38 X
- 4,193,002 3/1980 Muether et al. 378/169
- 4,782,503 11/1988 Molitor et al. 378/169

FIG. 7 is a bottom plan view of the x-ray irradiation unit of FIG. 2.

1 Claim, 4 Drawing Sheets



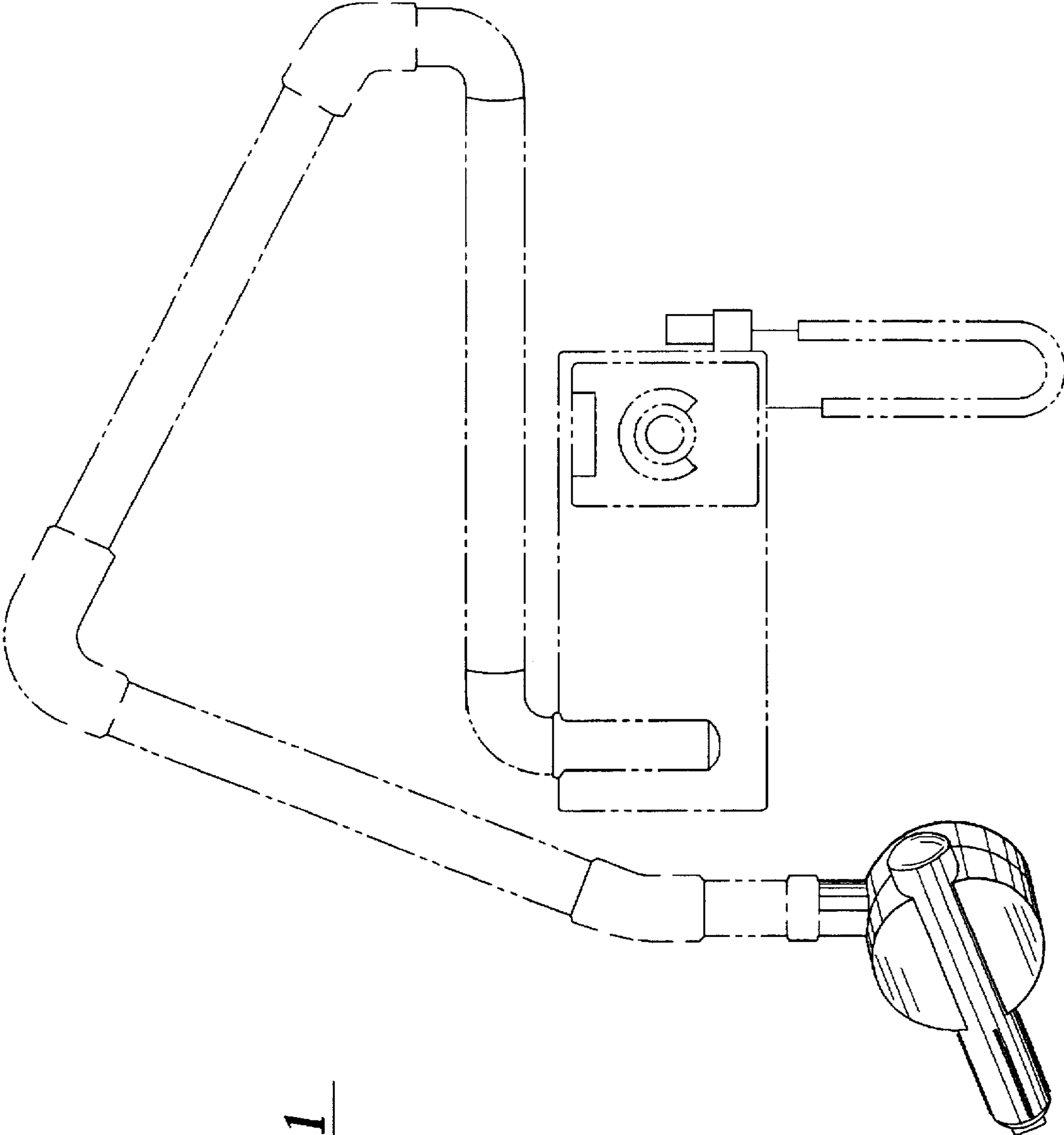


FIG. 1

FIG 2

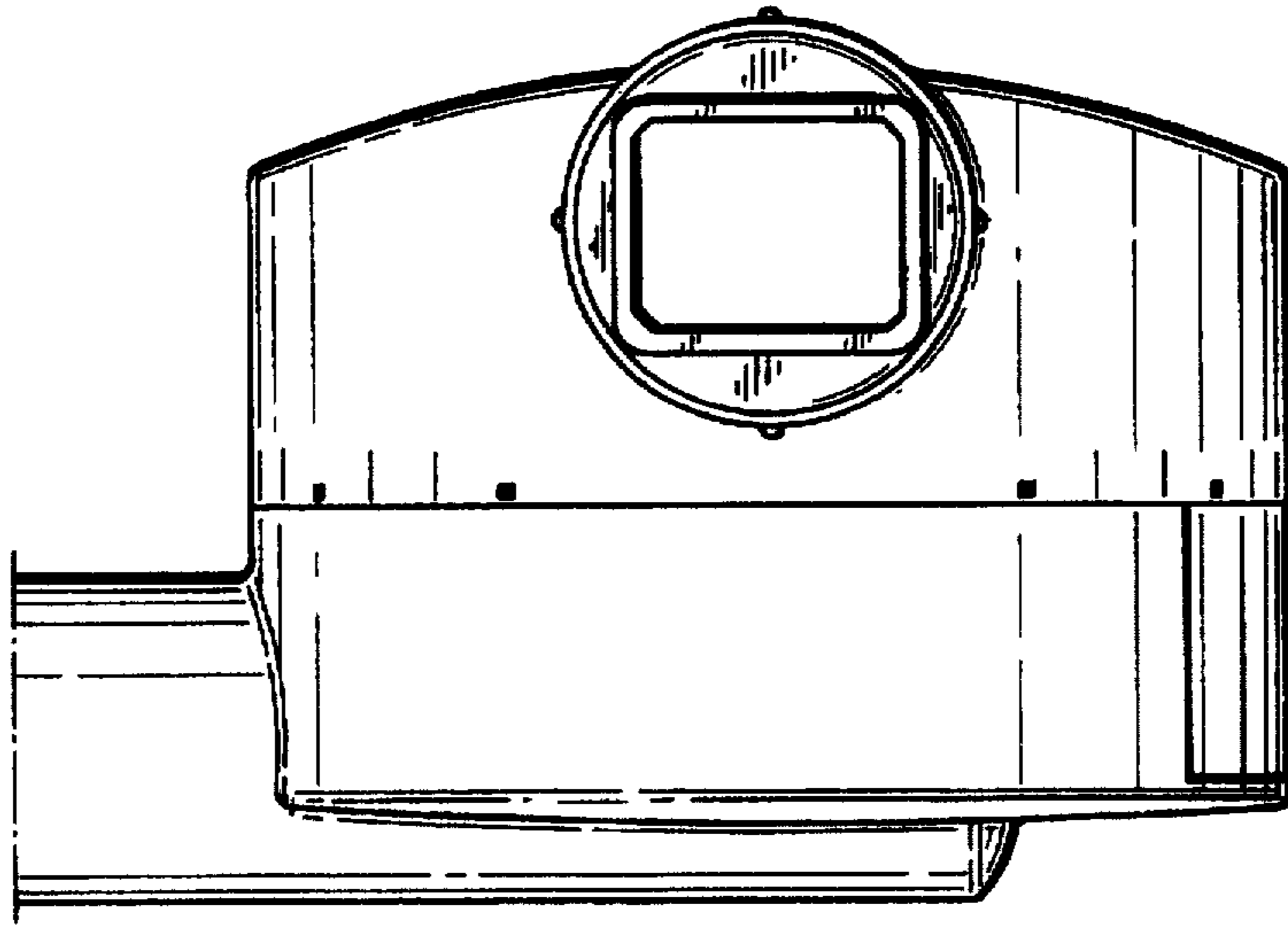
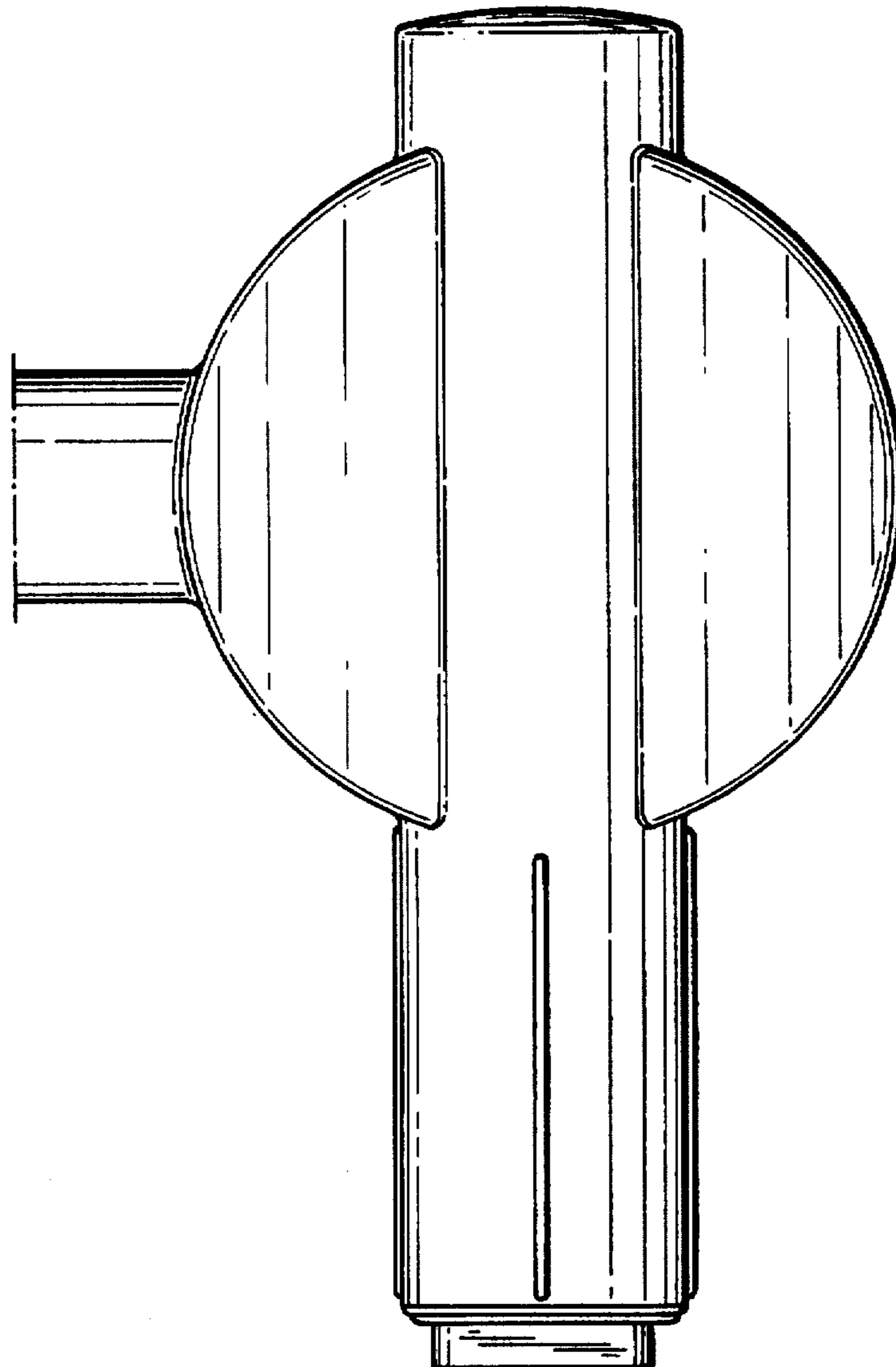


FIG 3



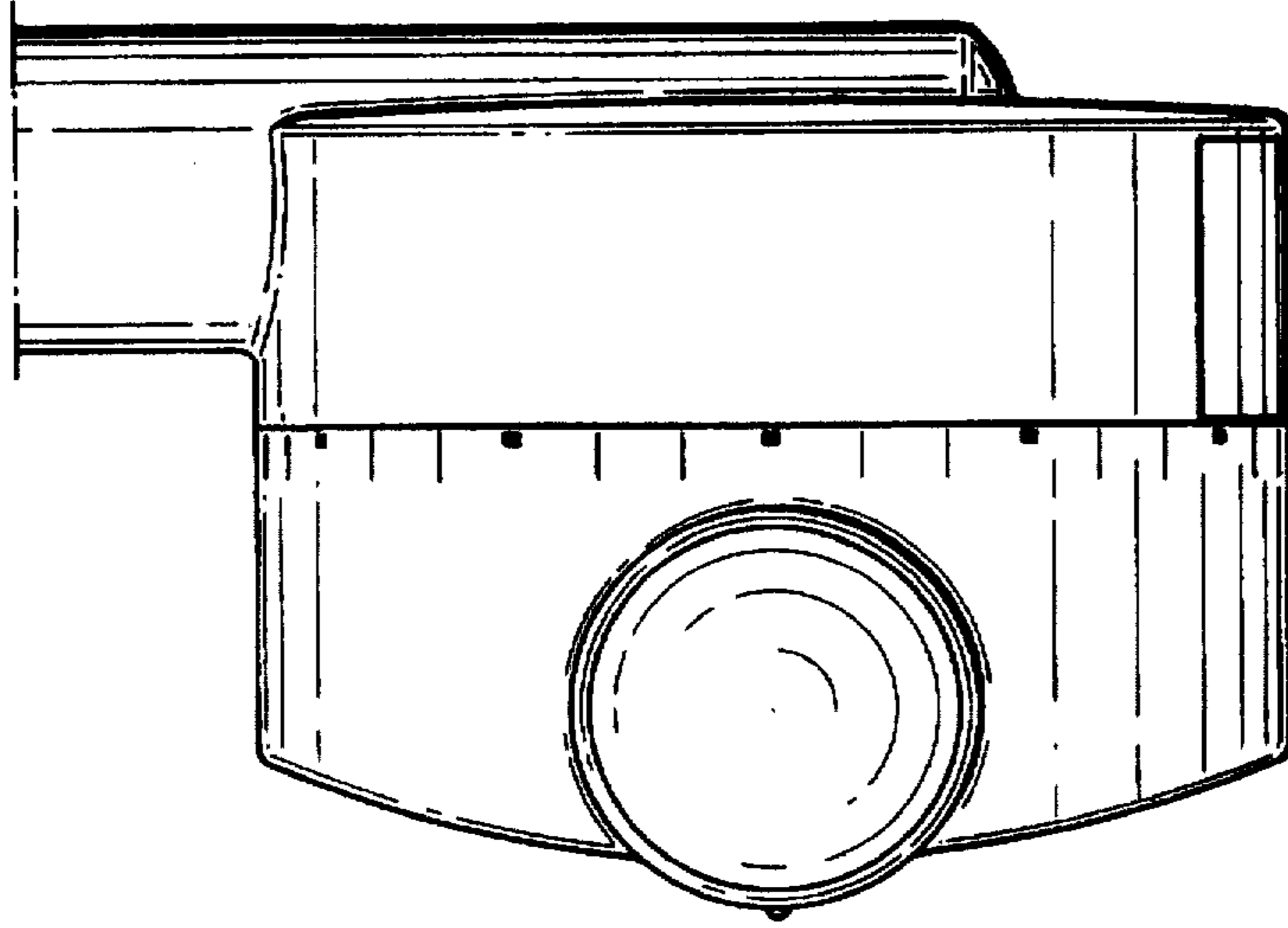


FIG 5

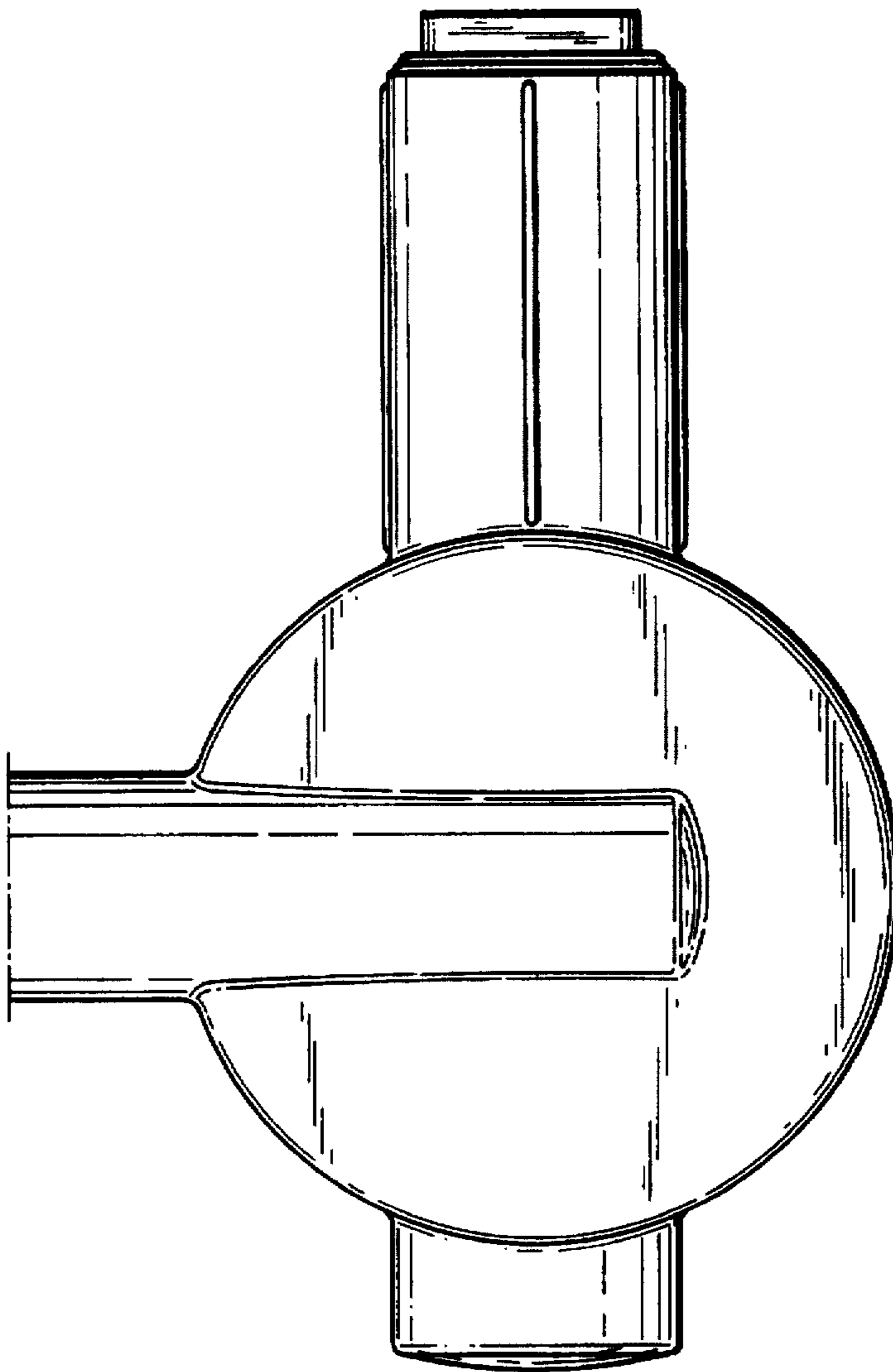


FIG 4

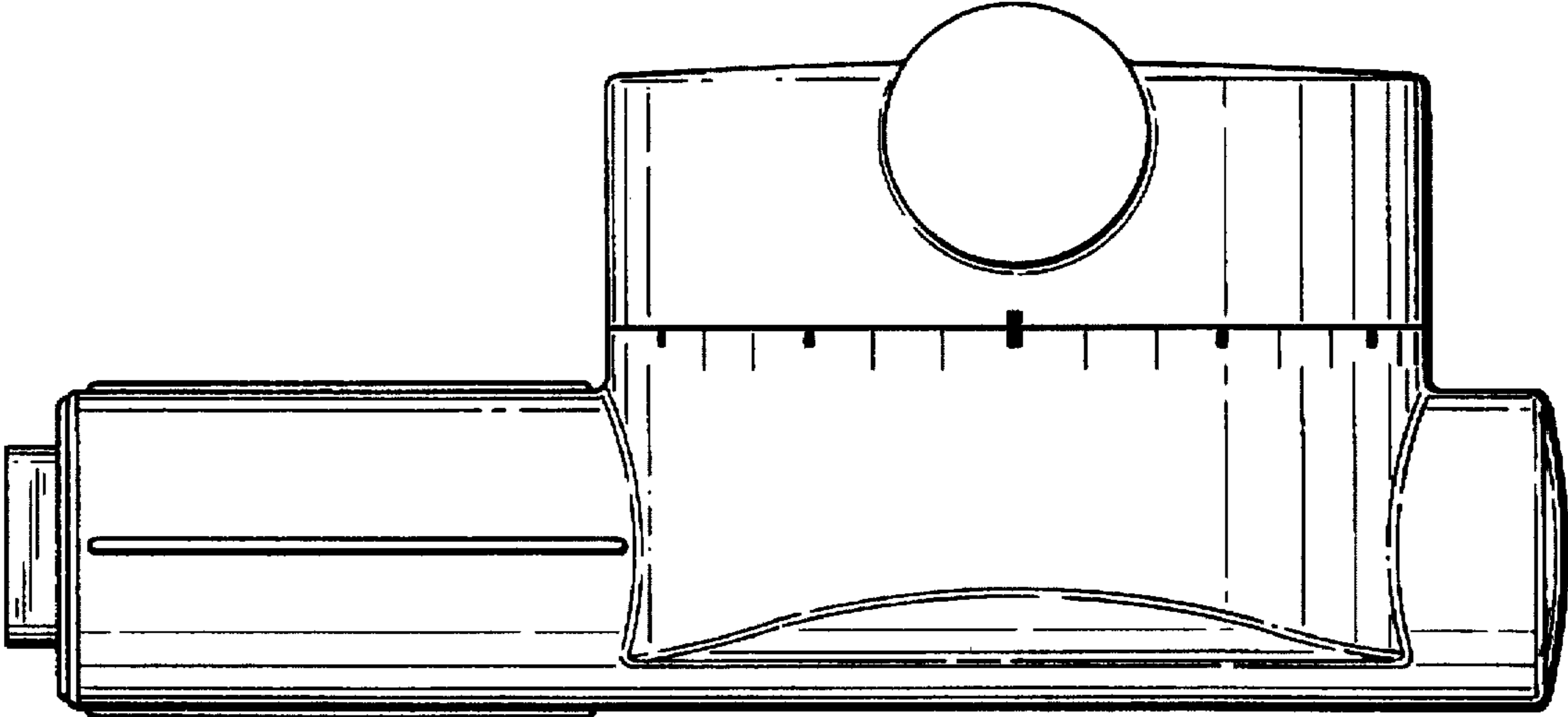


FIG 6

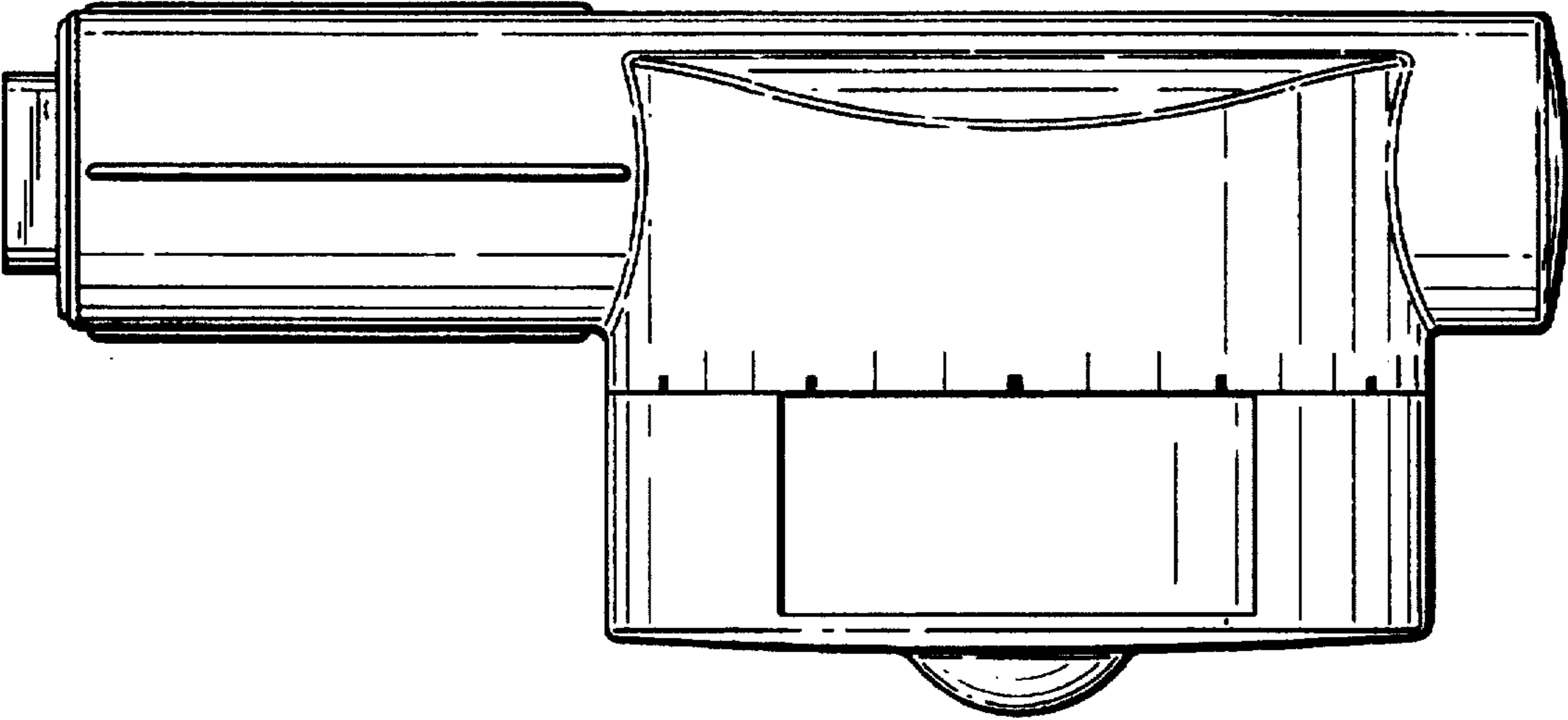


FIG 7