



US00D387157S

# United States Patent [19]

[11] Patent Number: **Des. 387,157**

Cotter

[45] Date of Patent: **\*\*Dec. 2, 1997**

[54] **BLOOD COLLECTOR**

[75] Inventor: **Robert F. Cotter, Duxbury, Mass.**

[73] Assignee: **Duxbury Scientific, Inc., Duxbury, Mass.**

[\*\*] Term: **14 Years**

[21] Appl. No.: **52,143**

[22] Filed: **Mar. 25, 1996**

[51] LOC (6) Cl. .... **24-02**

[52] U.S. Cl. .... **D24/118; D24/108; D24/169**

[58] Field of Search ..... **D24/118, 162, D24/108, 107, 169, 164, 167; 604/408, 403, 405, 317, 40, 360, 369**

[56] **References Cited**

**U.S. PATENT DOCUMENTS**

D. 347,891	6/1994	Koch	.....	D24/118
D. 367,110	2/1996	Cotter	.....	D24/108 X
D. 367,704	3/1996	Cotter	.....	D24/108 X
4,850,964	7/1989	Cotter	.....	604/4
5,002,529	3/1991	Cunningham	.....	604/73
5,160,333	11/1992	Wells	.....	604/408
5,207,638	5/1993	Choksi et al.	.....	604/408 X

**OTHER PUBLICATIONS**

Stryker® Instruments; **CONSTAVAC™ Blood Conservation System**; 7 pages. ©1990.  
 Snyder; **HEMOVAC**; Autotransfusion Evacuator; 4 pages. (Undated but admitted prior art).  
 CONSTAVAC™ Blood Conservation System (CBC); Maintenance Manual & Operating Instructions; Stryker® Instruments; 24 pages. (Undated but admitted prior art).  
 Stryker Instruments; manual for CBC-CONSTAVAC Blood Conservation System; 6 pages. (Undated admitted prior).

Gish Cap-35 Cardiotomy/Autotransfusion/Pleural Drainage; 8 pages. (Undated admitted prior).  
 Orth-evac™; Deknatel; 13 pages. ©1991.  
 Davol; Post-Op™ Autotransfusion System; Bard; 12 pages. ©1990.  
 AUTOVAC® Autotransfusion System; Autologous Postoperative Autotransfusion For Orthopedics; 14 pages. Sep. 1990.  
 Smith & Nephew Richards; Every Drop Counts With Solcotronics® Plus; 3 pages. (Undated admitted prior).  
 Solcotrans® Plus Orthopaedic; Post-operative Autotransfusion Device; User Reference Manual; pp. 5-31. (Undated admitted prior art).  
 Smith & Nephew Richards Inc.; Blood Transfusion and the Orthopaedic Patient pamphlet; 2 pages. ©1990.  
 Now It's Easier To Give Your Patient the Best Blood . . . His Own.; Solcotrans® Plus; Smith & Nephew; 2 pages. (Undated admitted prior art).

*Primary Examiner*—Louis S. Zarfes  
*Assistant Examiner*—I. Simmons  
*Attorney, Agent, or Firm*—George W. Neuner

[57] **CLAIM**

The ornamental design for a blood collector, as shown.

**DESCRIPTION**

FIG. 1 is a perspective view of the blood collector showing my new design;  
 FIG. 2 is a top view showing my new design;  
 FIG. 3 is a front view of the blood collector showing my new design, the rear view being a mirror image of the front view;  
 FIG. 4 is a left side view taken from the left end of FIG. 2, the right side view being a mirror image of the left side view;  
 and,  
 FIG. 5 is a bottom view of my design.

**1 Claim, 1 Drawing Sheet**

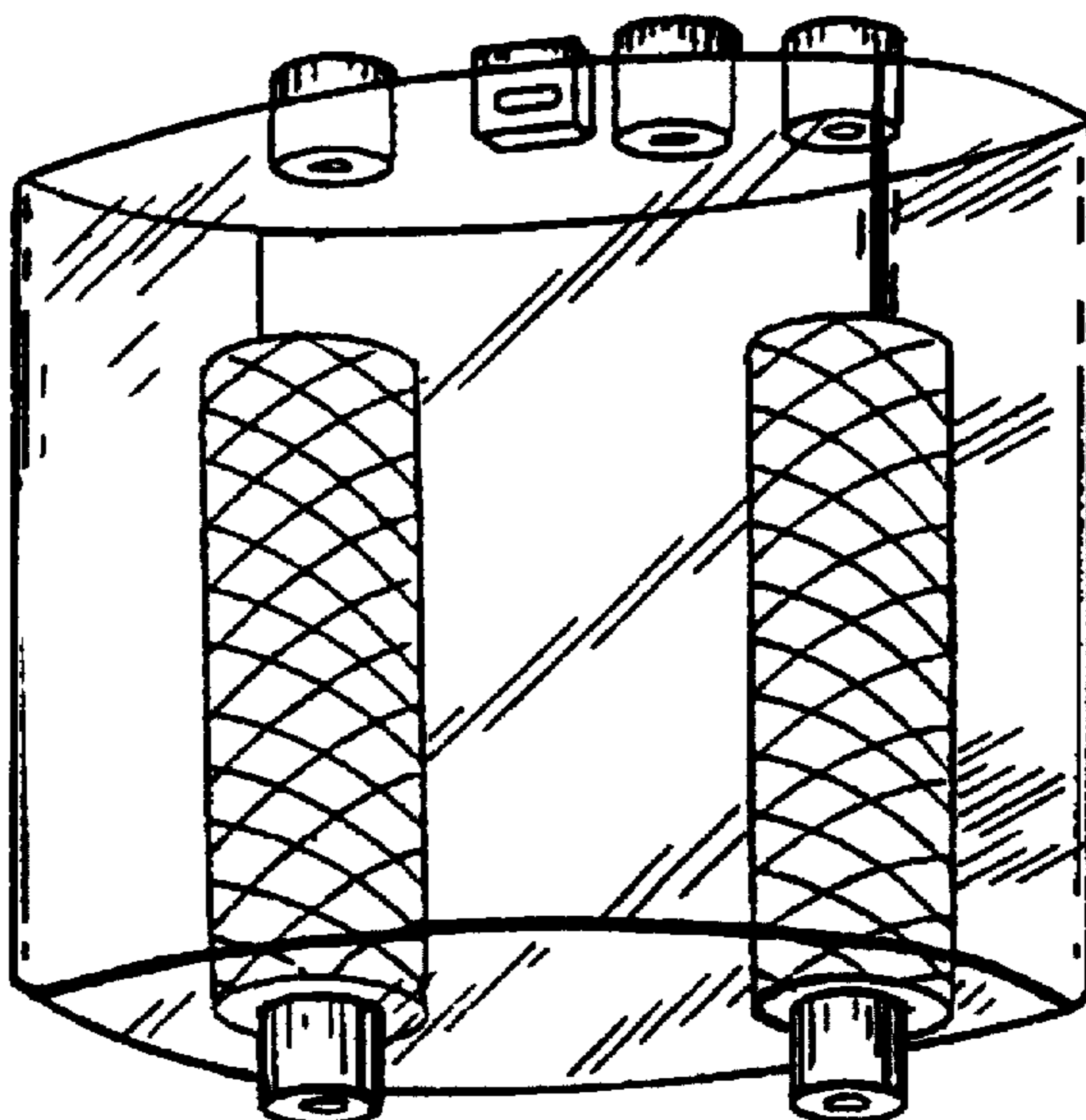


FIG. 1

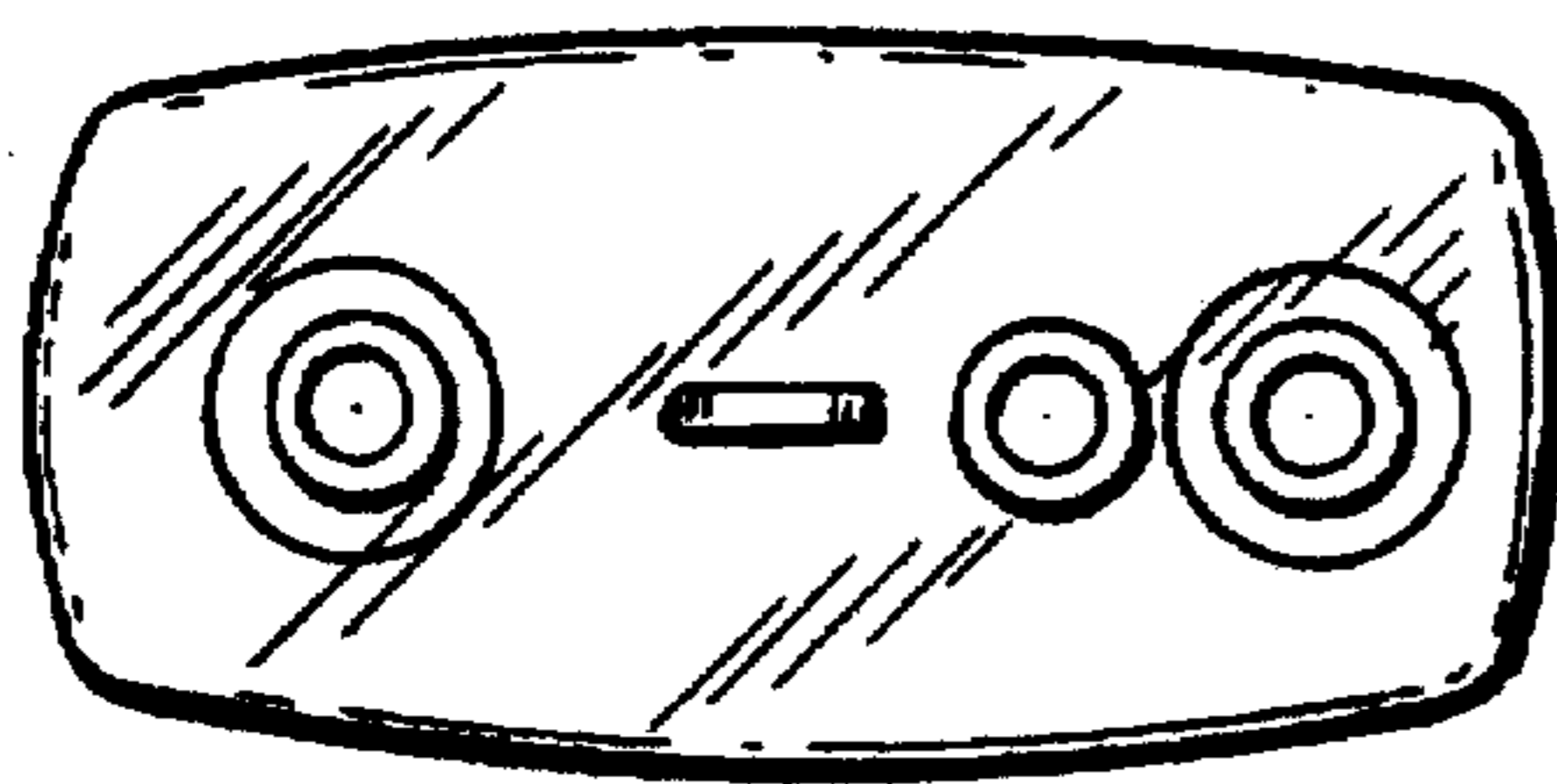
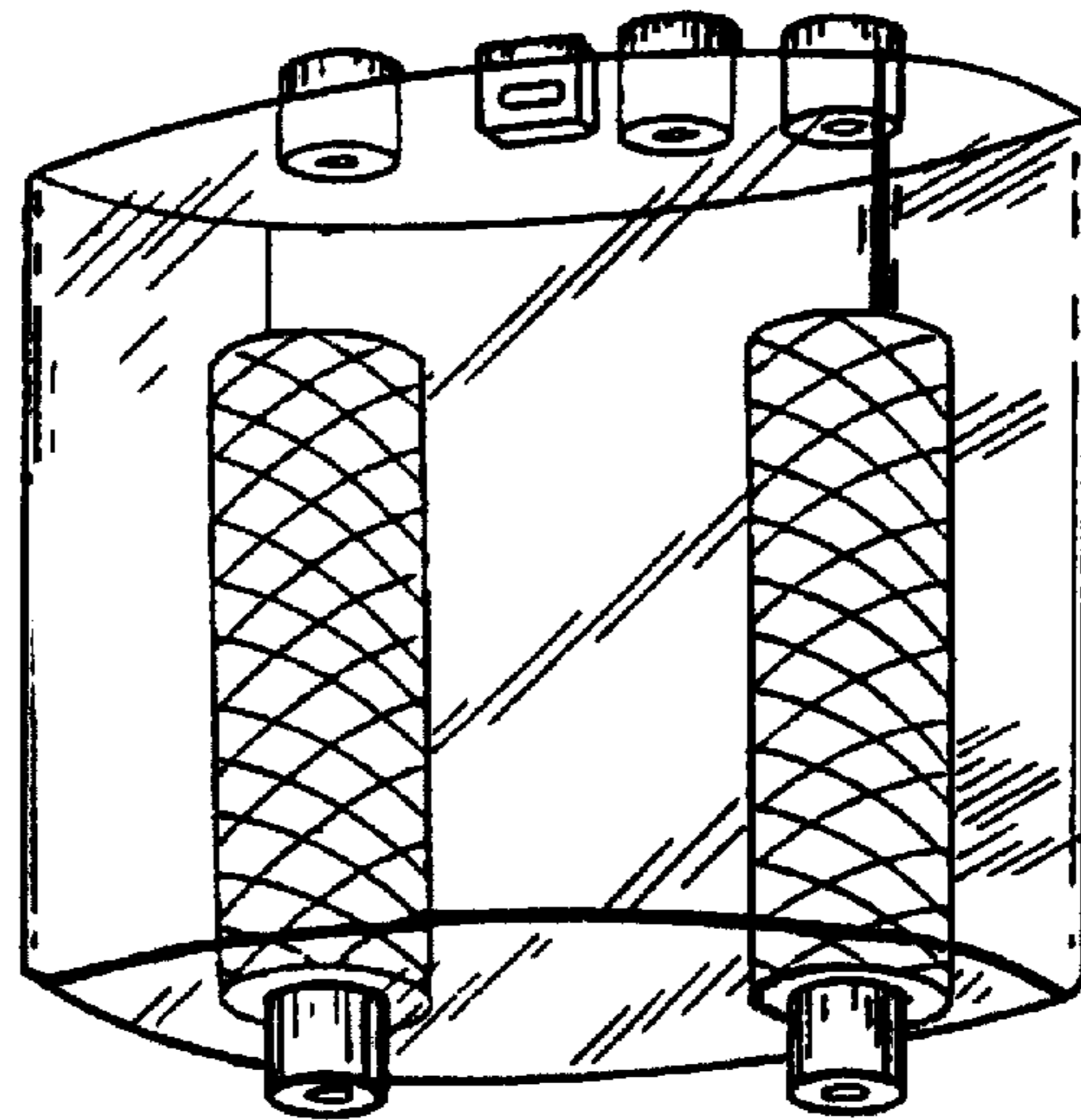


FIG. 2

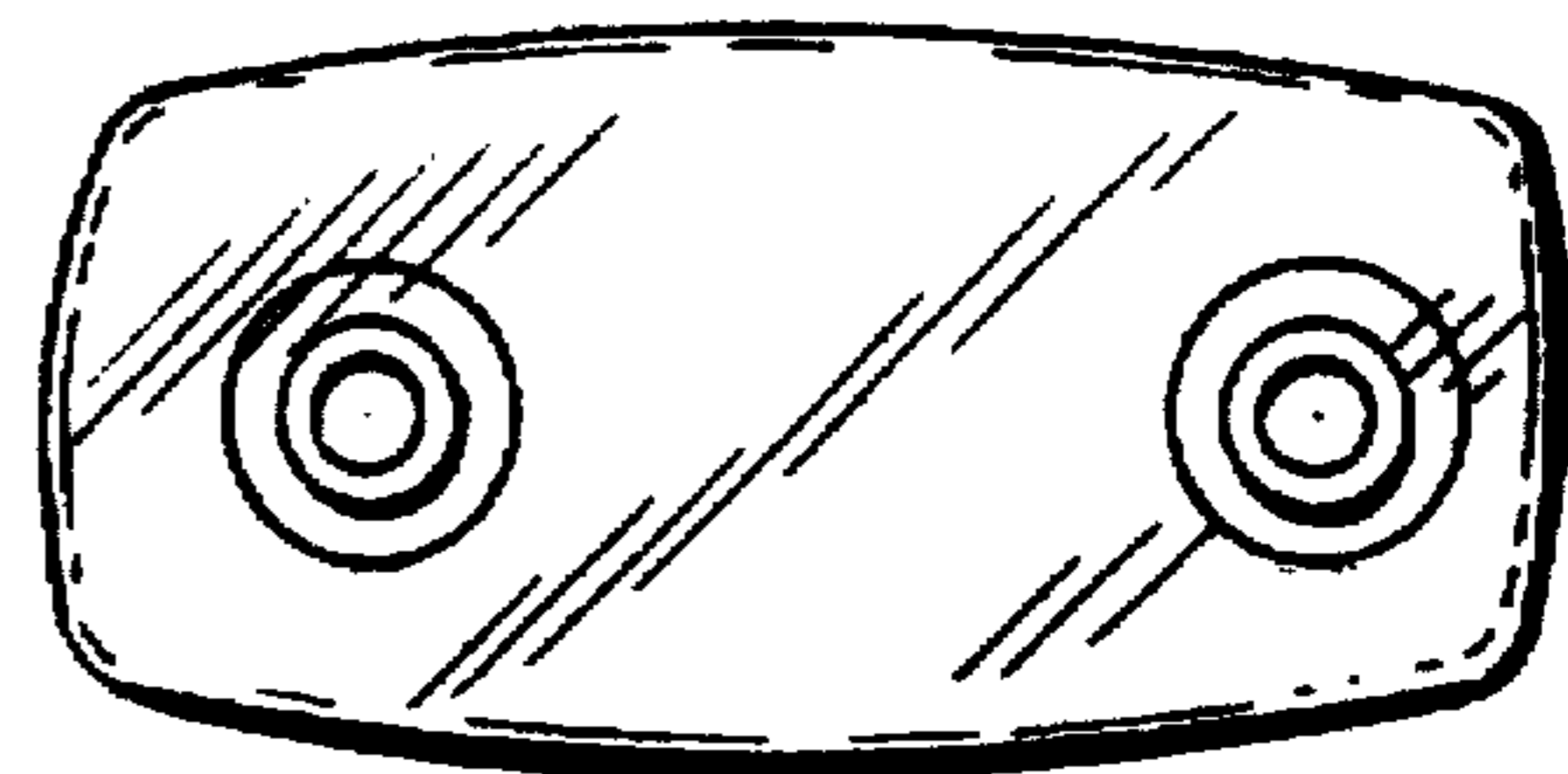


FIG. 5

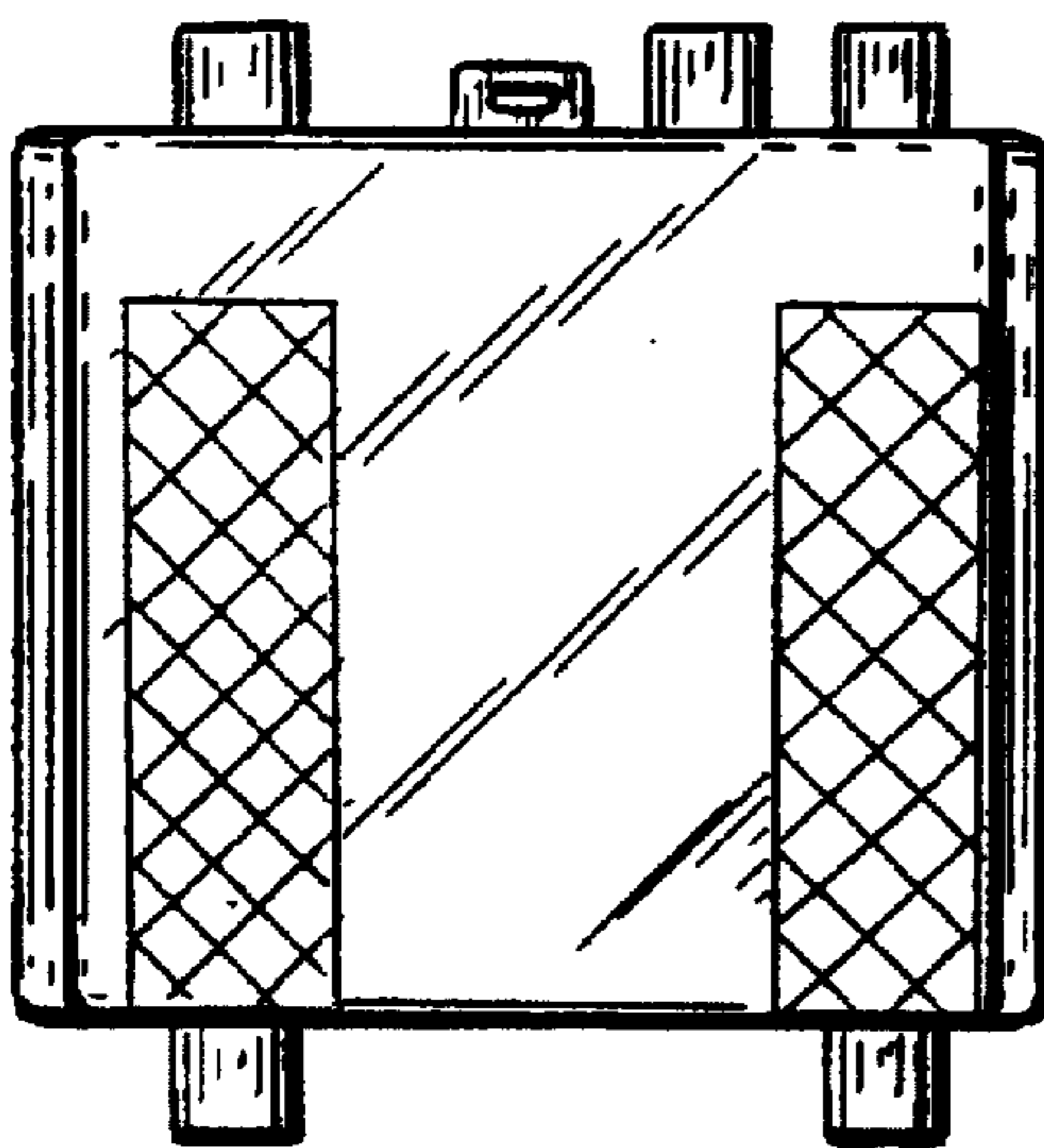


FIG. 3

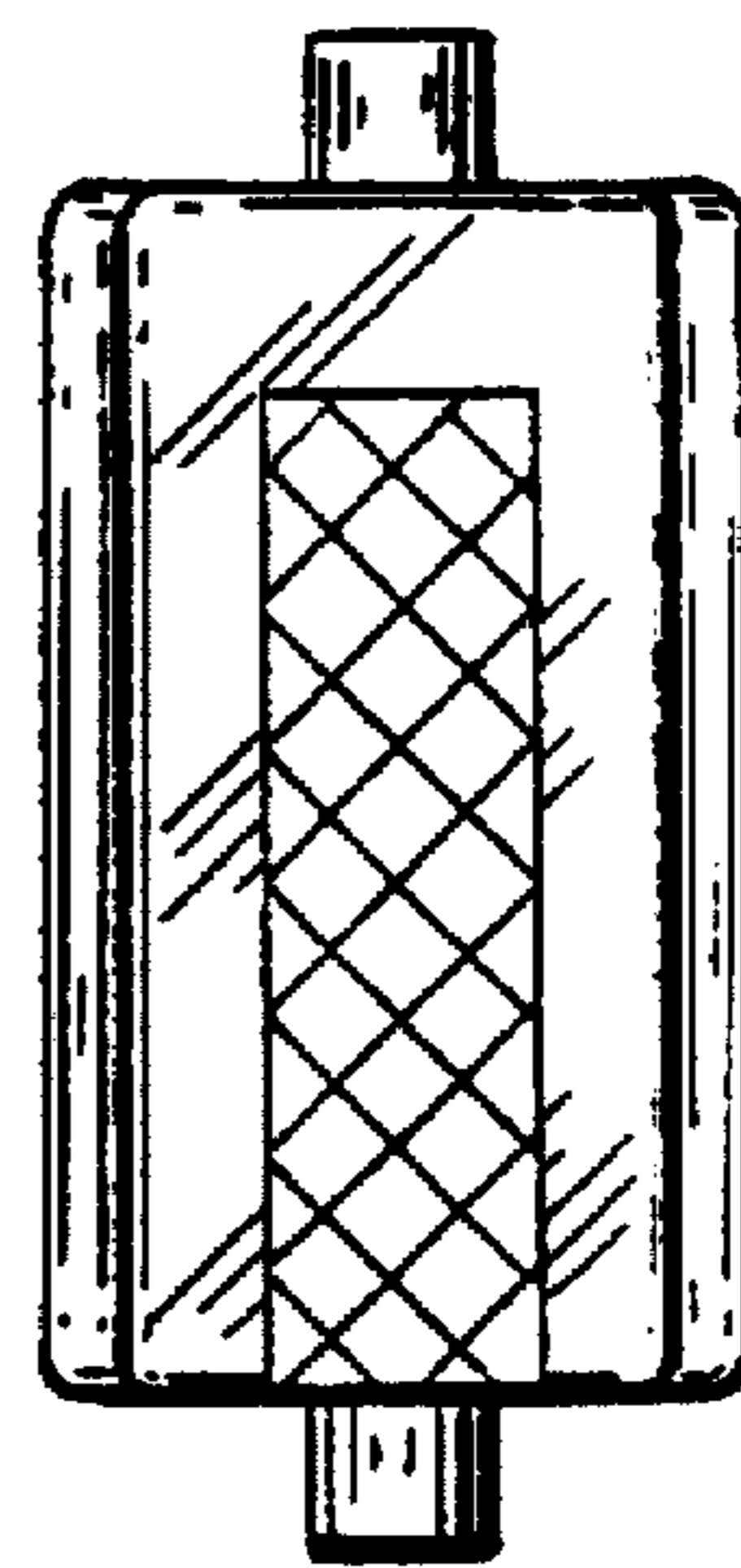


FIG. 4