



US00D387155S

United States Patent [19]

[11] Patent Number: **Des. 387,155**

Callas

[45] Date of Patent: ****Dec. 2, 1997**

[54] **AIR DIFFUSER GUARD**

[76] Inventor: **Mike T. Callas**, 5701 Camelback Dr.,
Edina, Minn. 55436

[**] Term: **14 Years**

[21] Appl. No.: **9,575**

[22] Filed: **Jun. 21, 1993**

3,502,016	3/1970	Steele .
3,665,969	5/1972	Clifford .
4,481,871	11/1984	Efstratis .
4,501,195	2/1985	Held .
4,655,120	4/1987	Lemmo .
5,188,332	2/1993	Callas .

Primary Examiner—Lisa Lichtenstein
Attorney, Agent, or Firm—Burd, Bartz & Gutenkauf

Related U.S. Application Data

[62] Division of Ser. No. 954,923, Sep. 30, 1992, Pat. No. Des. 340,281.

[51] LOC (6) Cl. **23-03**

[52] U.S. Cl. **D23/386; D23/387; D23/388; D23/389**

[58] Field of Search **D23/386, 387, D23/388, 389, 330; 454/307, 289, 284**

References Cited

U.S. PATENT DOCUMENTS

D. 235,066	5/1975	Rasmussen .
D. 235,067	5/1975	Rasmussen .
D. 322,634	12/1991	Callas .
3,386,367	6/1968	Pellegrino .

[57] CLAIM

The ornamental design for an air diffuser guard, as shown and described.

DESCRIPTION

FIG. 1 is a front perspective view of an air diffuser guard showing my new design;
 FIG. 2 is an enlarged end elevational view thereof, the opposite end being a mirror image;
 FIG. 3 is a front elevational view thereof, with the center portion broken away for ease of illustration, the rear elevational view being a mirror image;
 FIG. 4 is a top plan view thereof, with the center portion broken away for ease of illustration; and,
 FIG. 5 is a bottom plan view thereof, with the center portion broken away for ease of illustration.

1 Claim, 1 Drawing Sheet

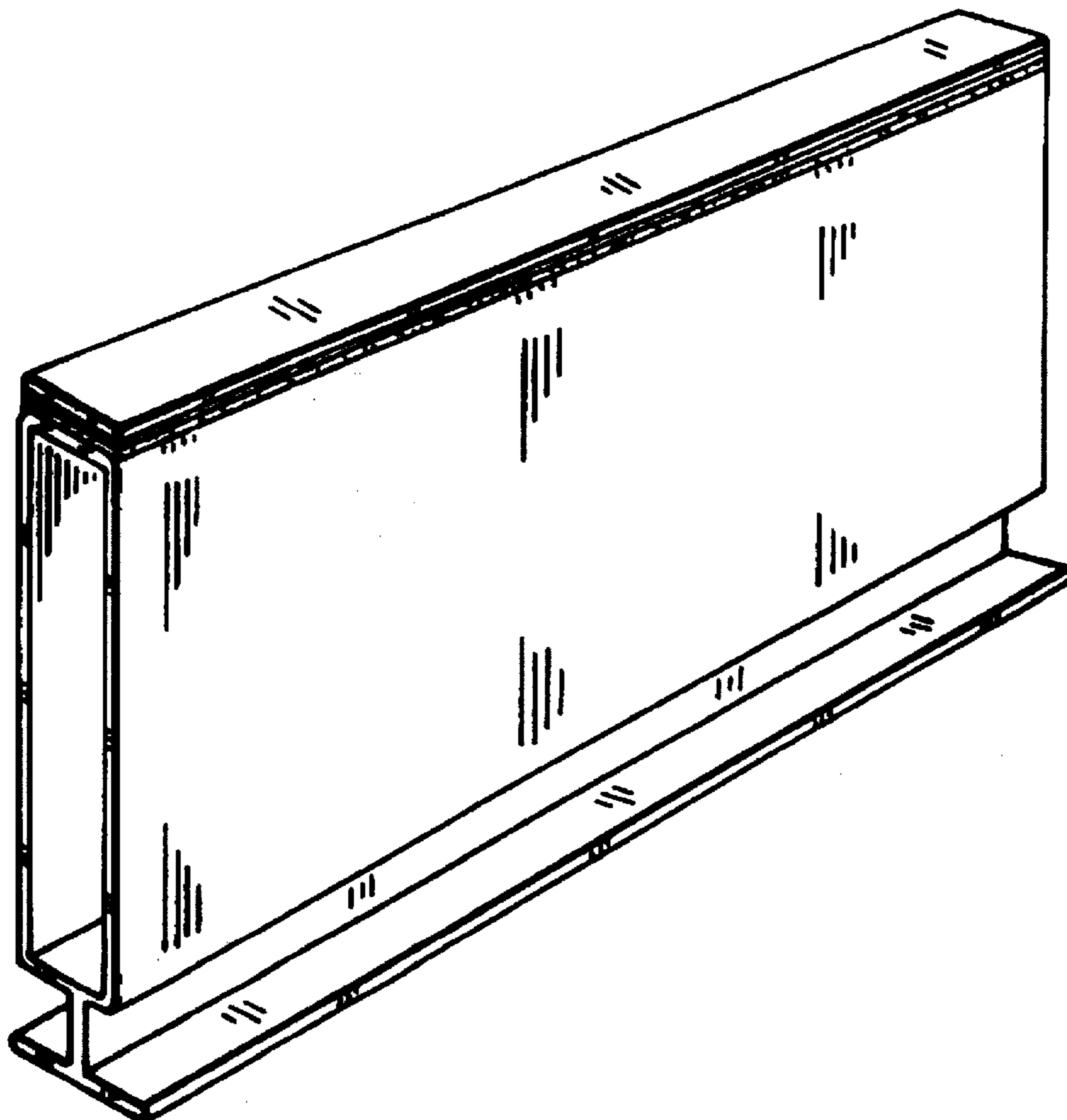


FIG. 1

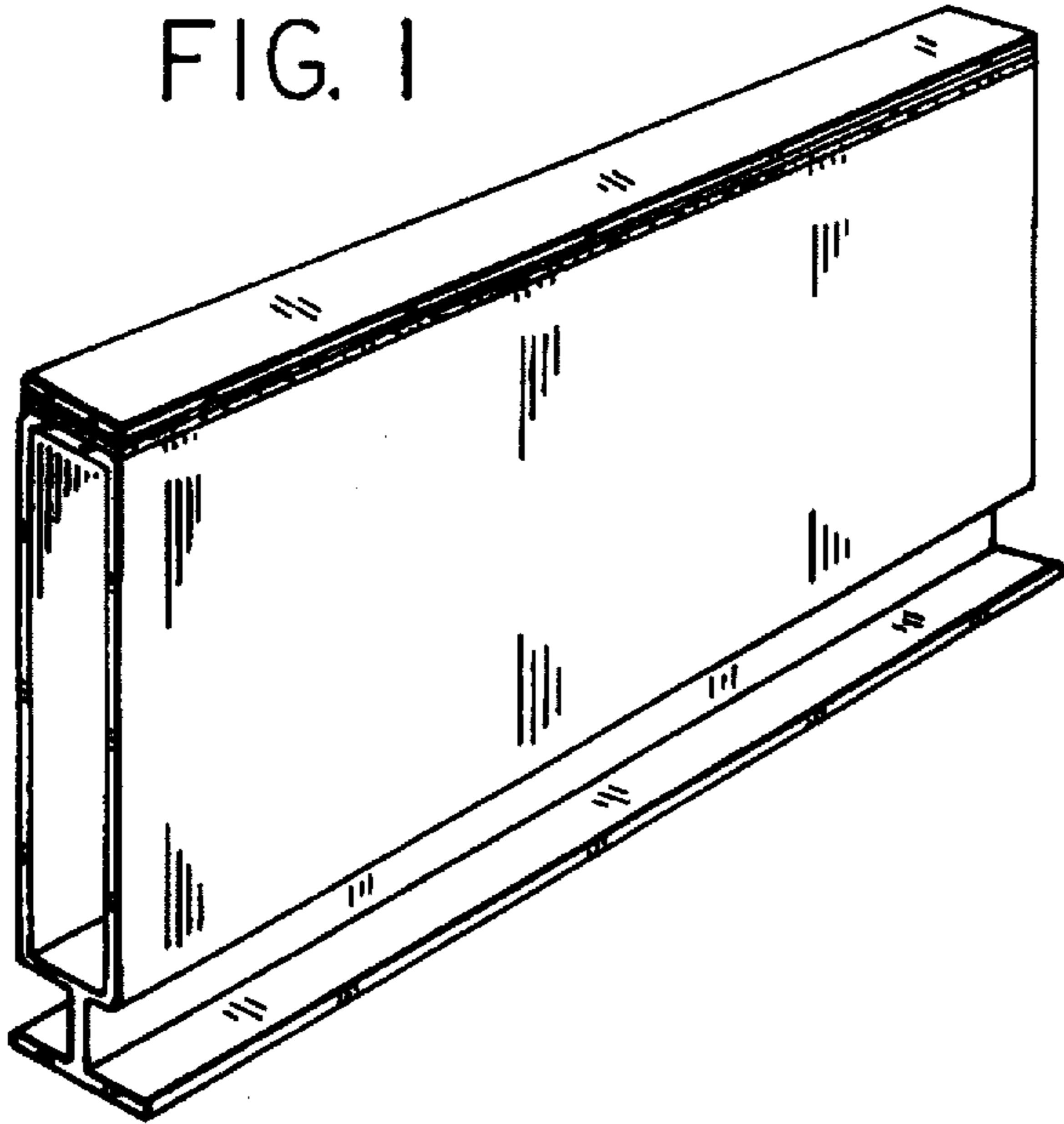


FIG. 2

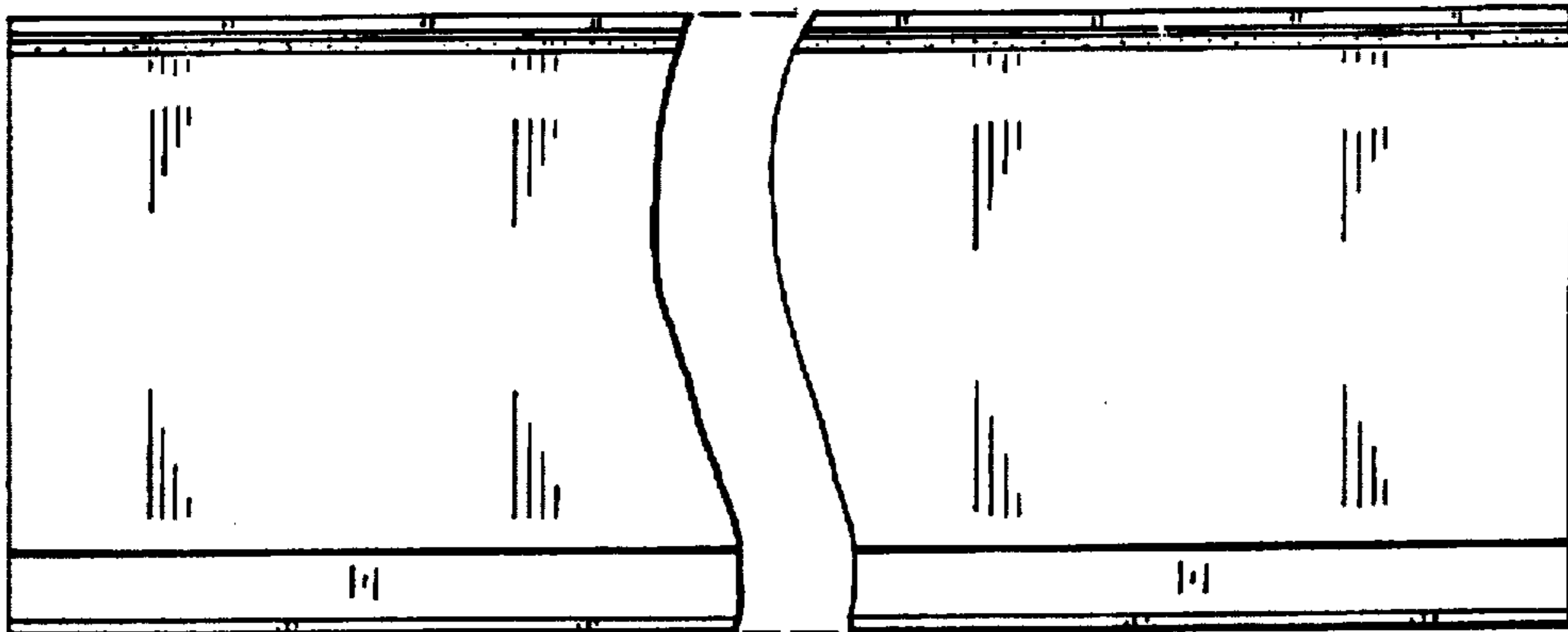
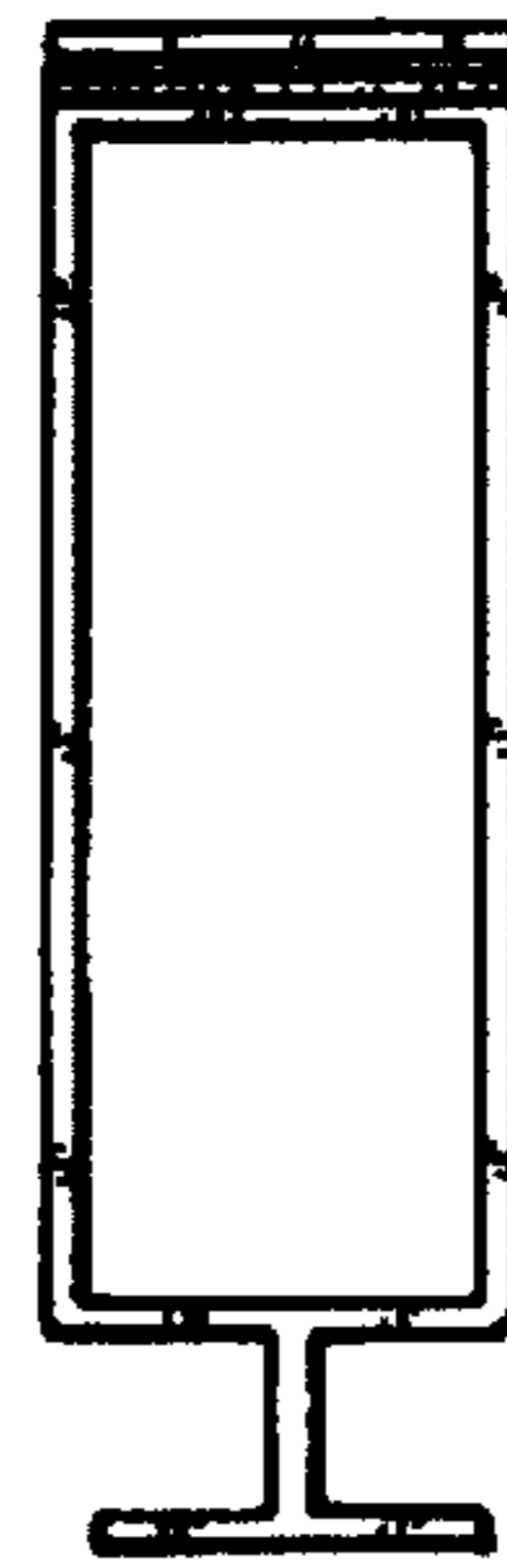


FIG. 3



FIG. 4



FIG. 5