



US00D387151S

**United States Patent** [19]  
**Fok**

[11] **Patent Number: Des. 387,151**

[45] **Date of Patent: \*\*Dec. 2, 1997**

[54] **ELECTRIC FAN**

[75] **Inventor: Peter Fok, Hong Kong, Hong Kong**

[73] **Assignee: On Tat Bakelite Electric Works Limited, Kwun Tong, Hong Kong**

[\*\*] **Term: 14 Years**

[21] **Appl. No.: 56,241**

[22] **Filed: Jun. 18, 1996**

[30] **Foreign Application Priority Data**

Dec. 19, 1995 [GB] United Kingdom ..... 2052869

[51] **LOC (6) Cl. .... 23-04**

[52] **U.S. Cl. .... D23/381; D23/332; D23/370**

[58] **Field of Search .... D23/370, 328, D23/335, 337, 332, 380, 381; 416/63, 142, 246**

[56] **References Cited**

**U.S. PATENT DOCUMENTS**

D. 361,832 8/1995 Cunning ..... D23/381

**OTHER PUBLICATIONS**

Joana Cook Housewares '86 Cat., p. 30, Electric Fan, a-top left side of page.

Museum of Modern Art Xmas Cat., p. 38, Thin Air Desk Fan, top left side of page.

*Primary Examiner*—Lisa Lichenstein  
*Attorney, Agent, or Firm*—Merchant, Gould, Smith, Edell, Welter & Schmidt, P.A.

[57] **CLAIM**

The ornamental design for an electric fan, as shown.

**DESCRIPTION**

FIG. 1 is a perspective view taken from above, the front and one side of the electric fan showing my new design;

FIG. 2 is a perspective view thereof taken from below, the rear and the other side;

FIG. 3 is a side view thereof in an alternative first position;

FIG. 4 is a side view thereof in an alternative second position; and,

FIG. 5 is a side view thereof in an alternative third position.

**1 Claim, 3 Drawing Sheets**

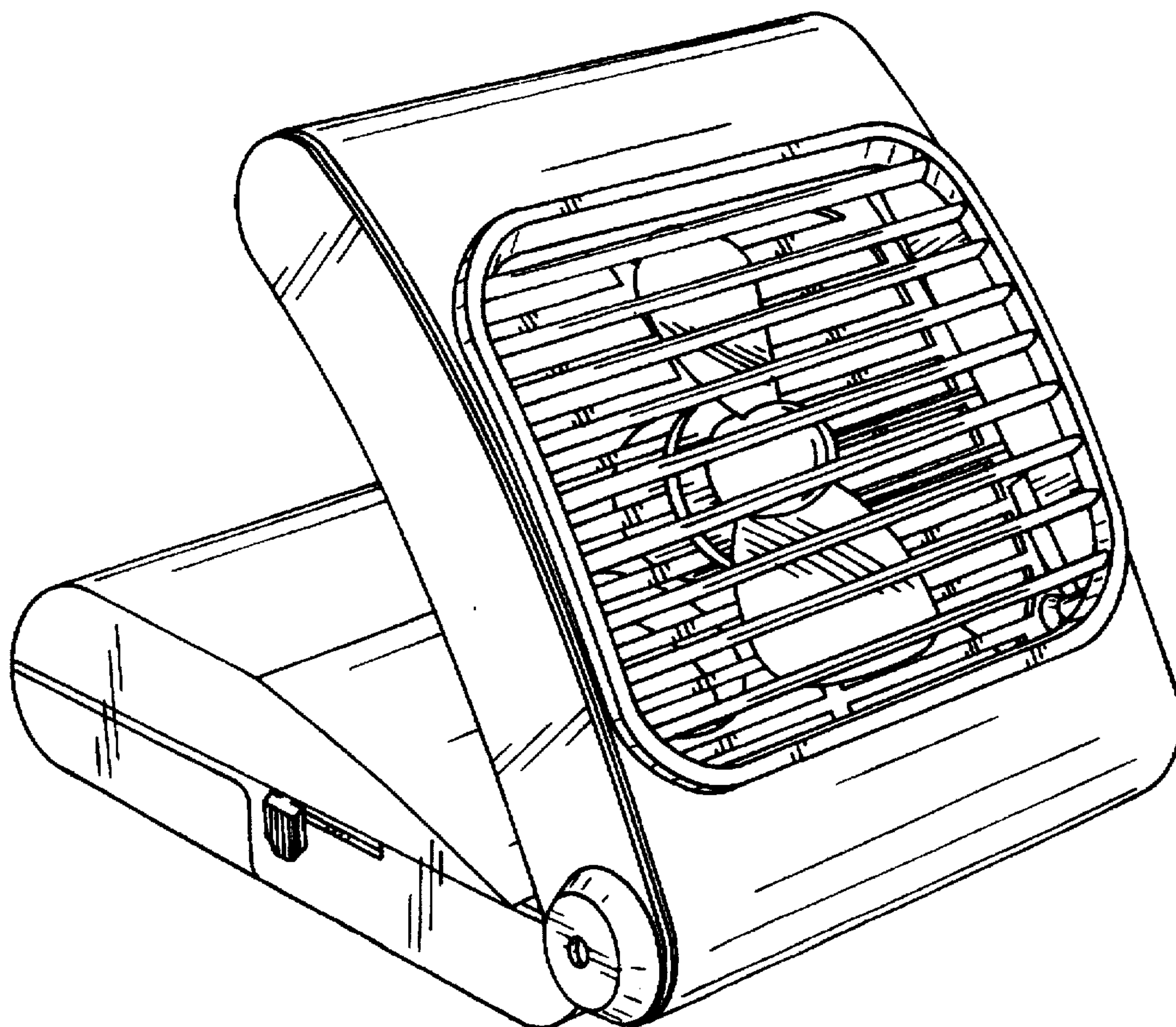


FIG. 1

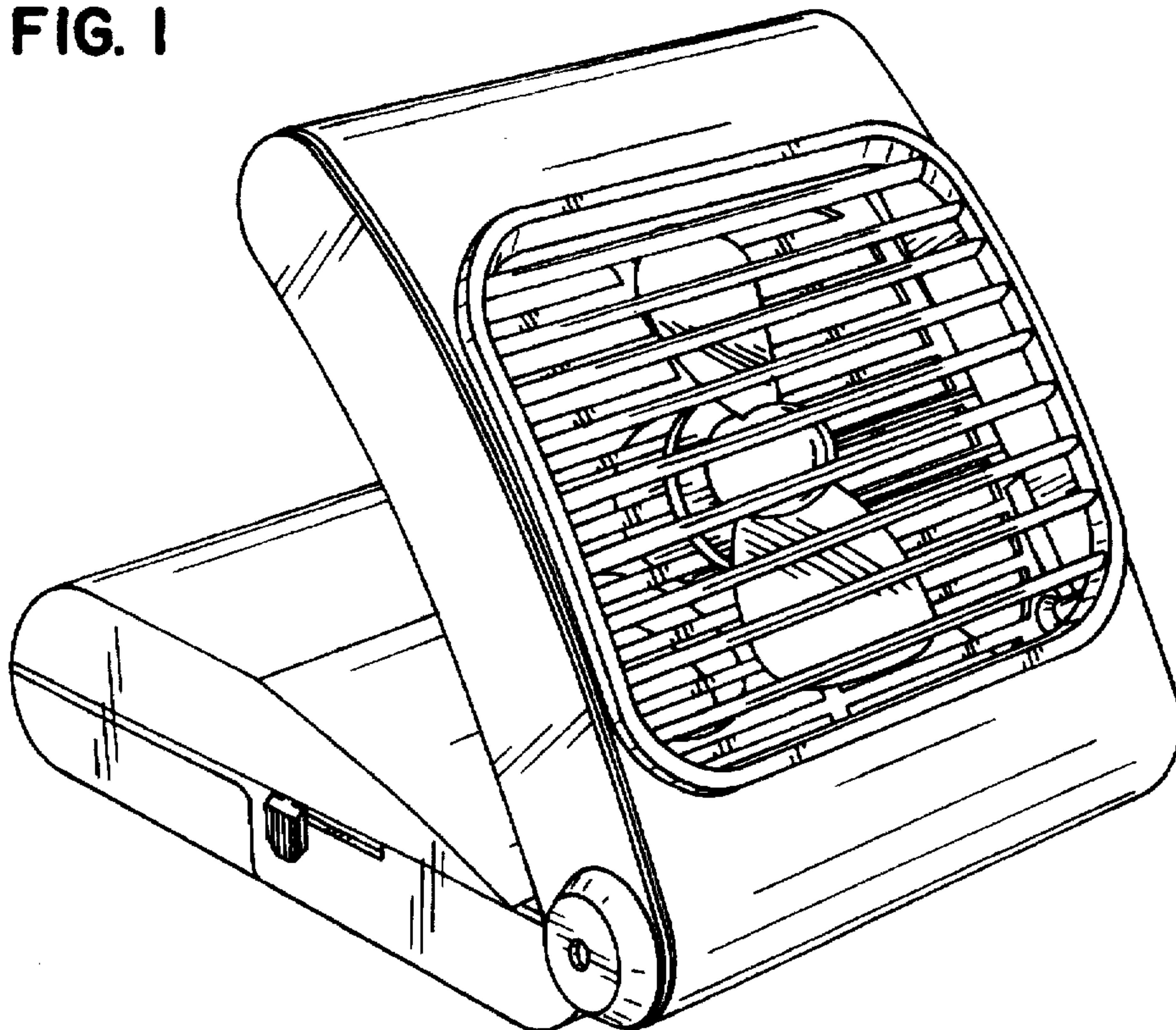
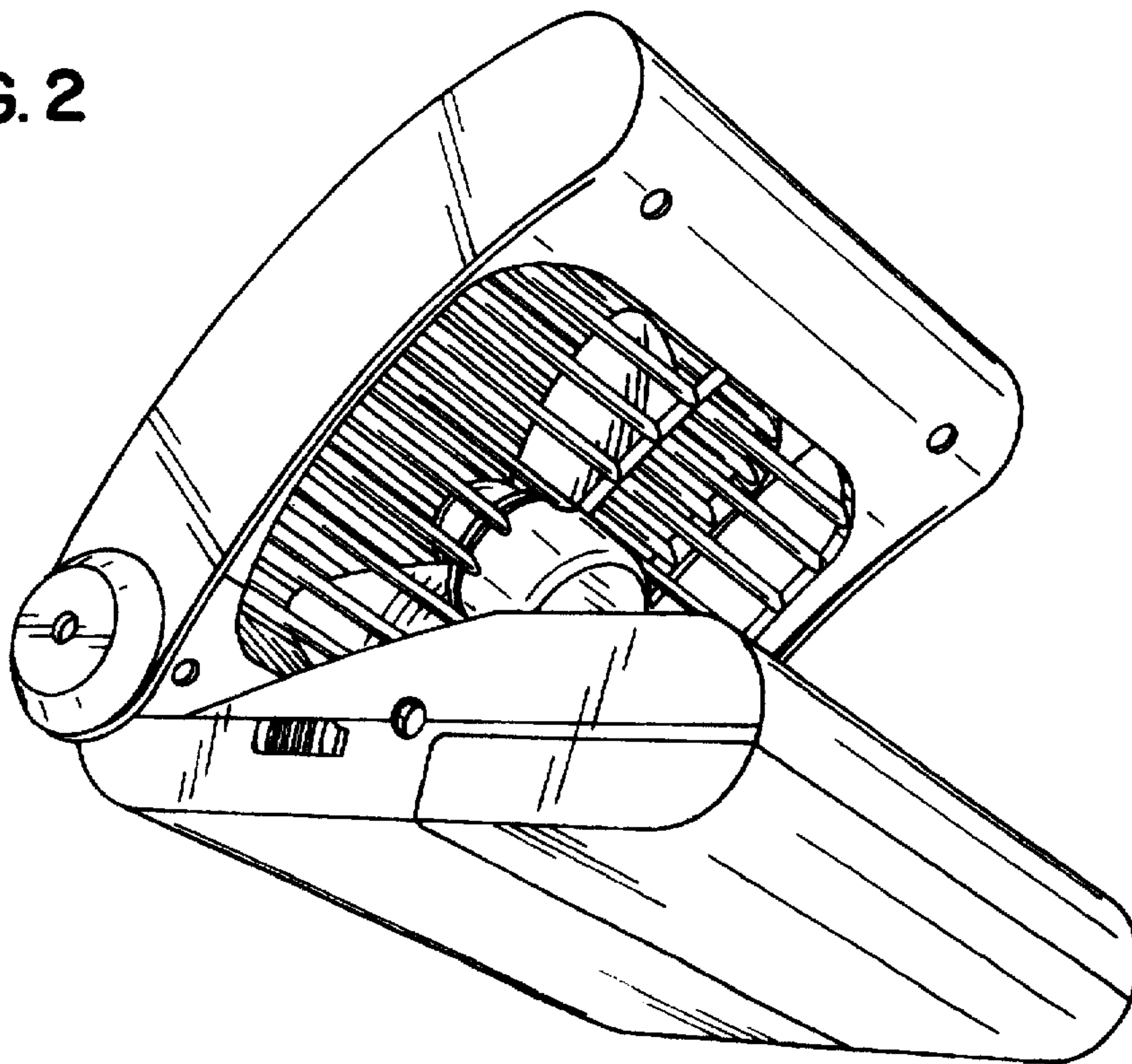
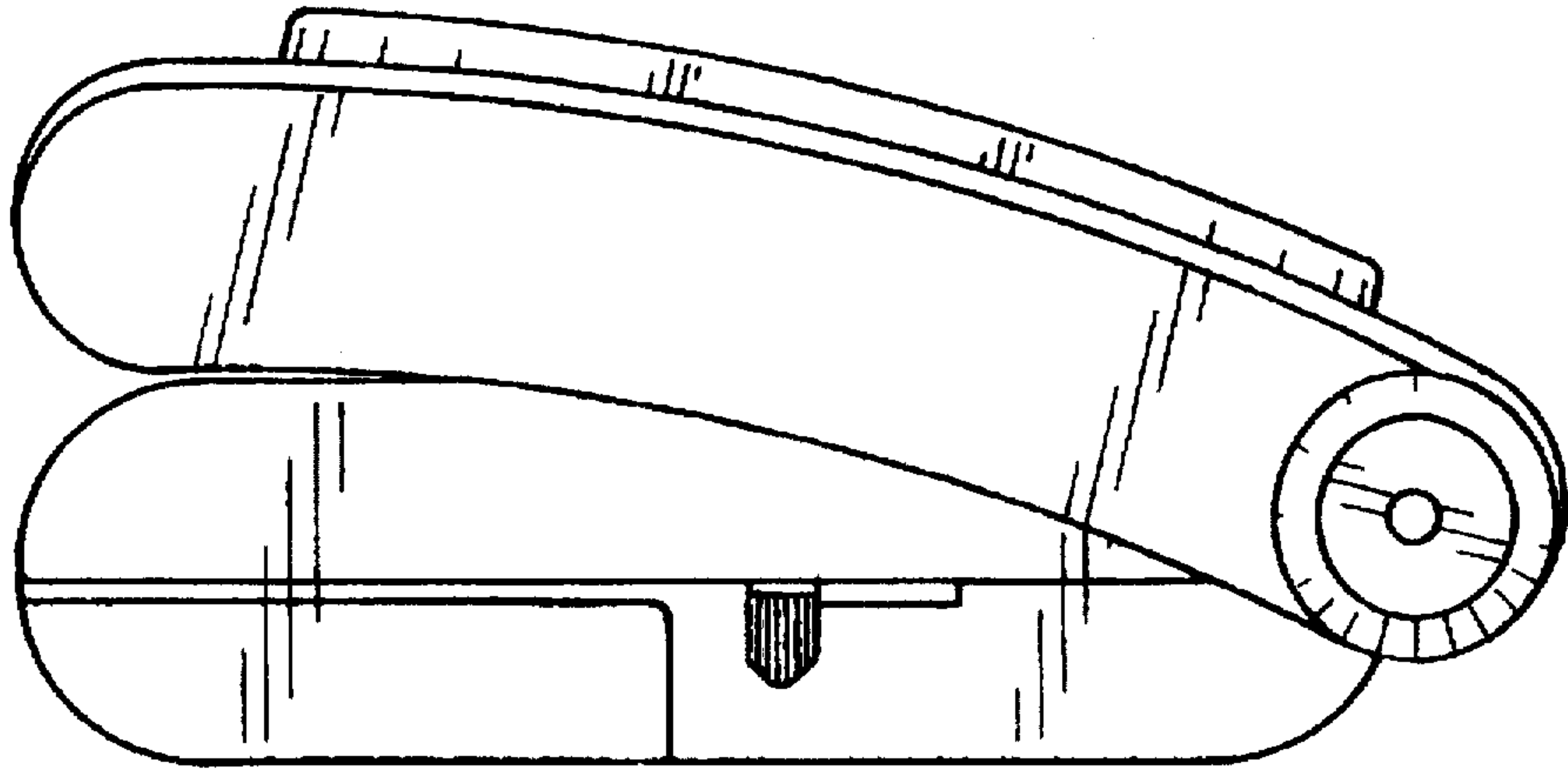


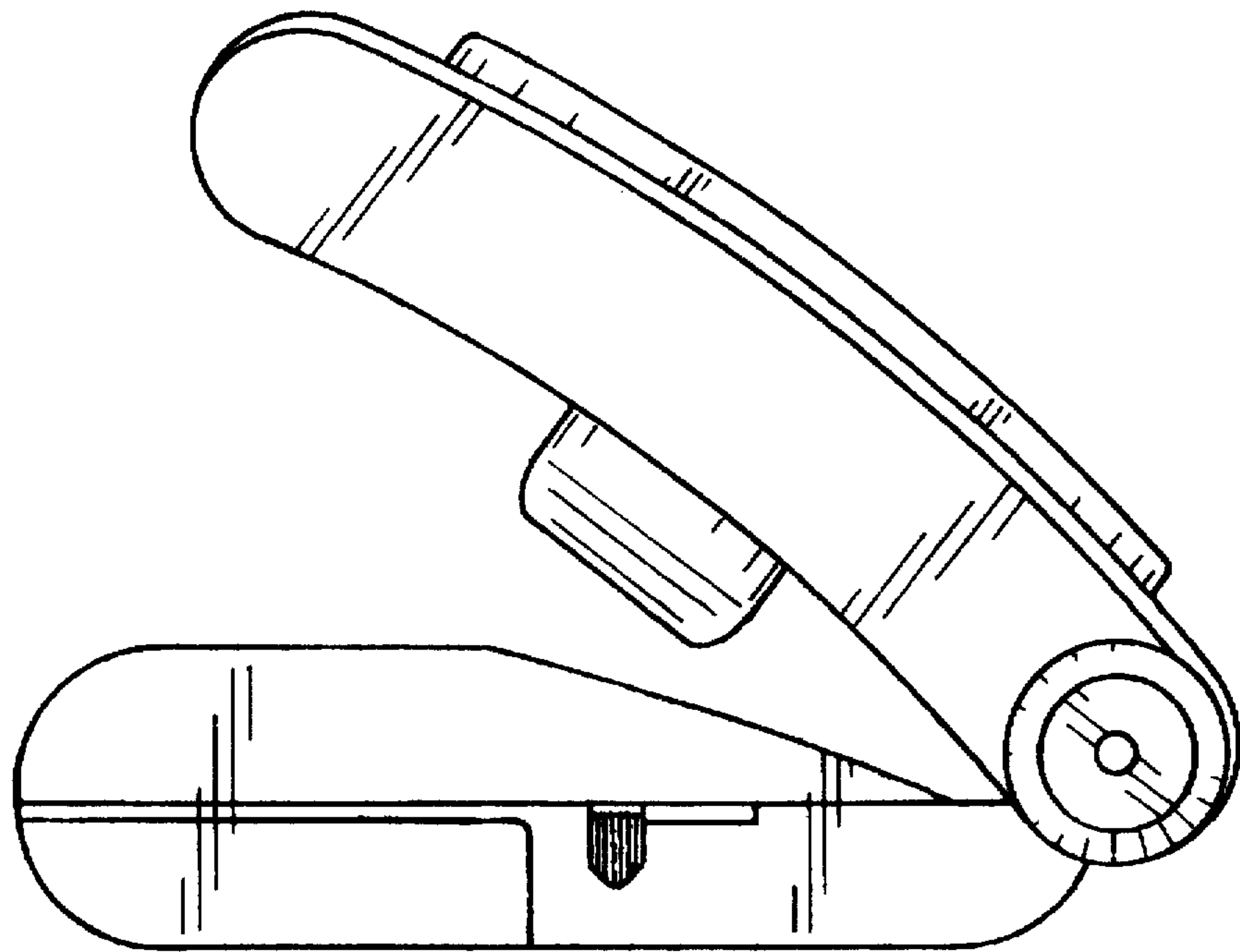
FIG. 2



**FIG. 3**



**FIG. 4**





**FIG. 5**

