



US00D387150S

United States Patent [19]

[11] Patent Number: **Des. 387,150**

Coonahan et al.

[45] Date of Patent: *****Dec. 2, 1997**

[54] **PORTABLE FAN**

[75] Inventors: **Timothy J. Coonahan**, Londonderry, N.H.; **Thomas Swyst**, Arlington; **Philip C. Walker**, Somerville, both of Mass.

[73] Assignee: **Black & Decker Inc.**, Newark, Del.

[*] Notice: The portion of the term of this patent subsequent to Aug. 13, 2010, has been disclaimed.

[**] Term: **14 Years**

[21] Appl. No.: **53,436**

[22] Filed: **Apr. 22, 1996**

[51] LOC (6) Cl. **23-04**

[52] U.S. Cl. **D23/381; D23/332; D23/381; D28/12**

[58] Field of Search **D23/381, 382, D23/332, 370, 371, 335, 328; D28/12-18; 392/383, 384; 416/63; 417/411**

[56] **References Cited**

U.S. PATENT DOCUMENTS

- D. 97,118 10/1935 Cohen D23/412
- D. 309,182 7/1990 Hsu 416/63
- D. 311,783 10/1990 Howard .
- D. 313,275 12/1990 Aida .
- D. 335,529 5/1993 Sau-Jou D23/324

- D. 349,570 8/1994 Radtke, Jr. .
- D. 365,393 12/1995 Geun D23/332
- D. 372,772 8/1996 Dubis et al. D23/382
- 758,305 4/1904 Fergusson 416/170 C
- 1,504,003 8/1924 Trumbull .
- 2,572,889 10/1951 Strykower .
- 2,710,338 6/1955 Svalgaard .
- 3,225,982 12/1965 Melton .
- 3,491,374 1/1970 Frangos .
- 4,687,414 8/1987 Wardy .
- 4,927,324 5/1990 Coup et al. 416/247 R
- 5,304,035 4/1994 Carter .

OTHER PUBLICATIONS

HFD, Feb. 2, 1981, Hair Dryer (a) top right side page.

Primary Examiner—Lisa Lichtenstein
Attorney, Agent, or Firm—Barry E. Deutsch

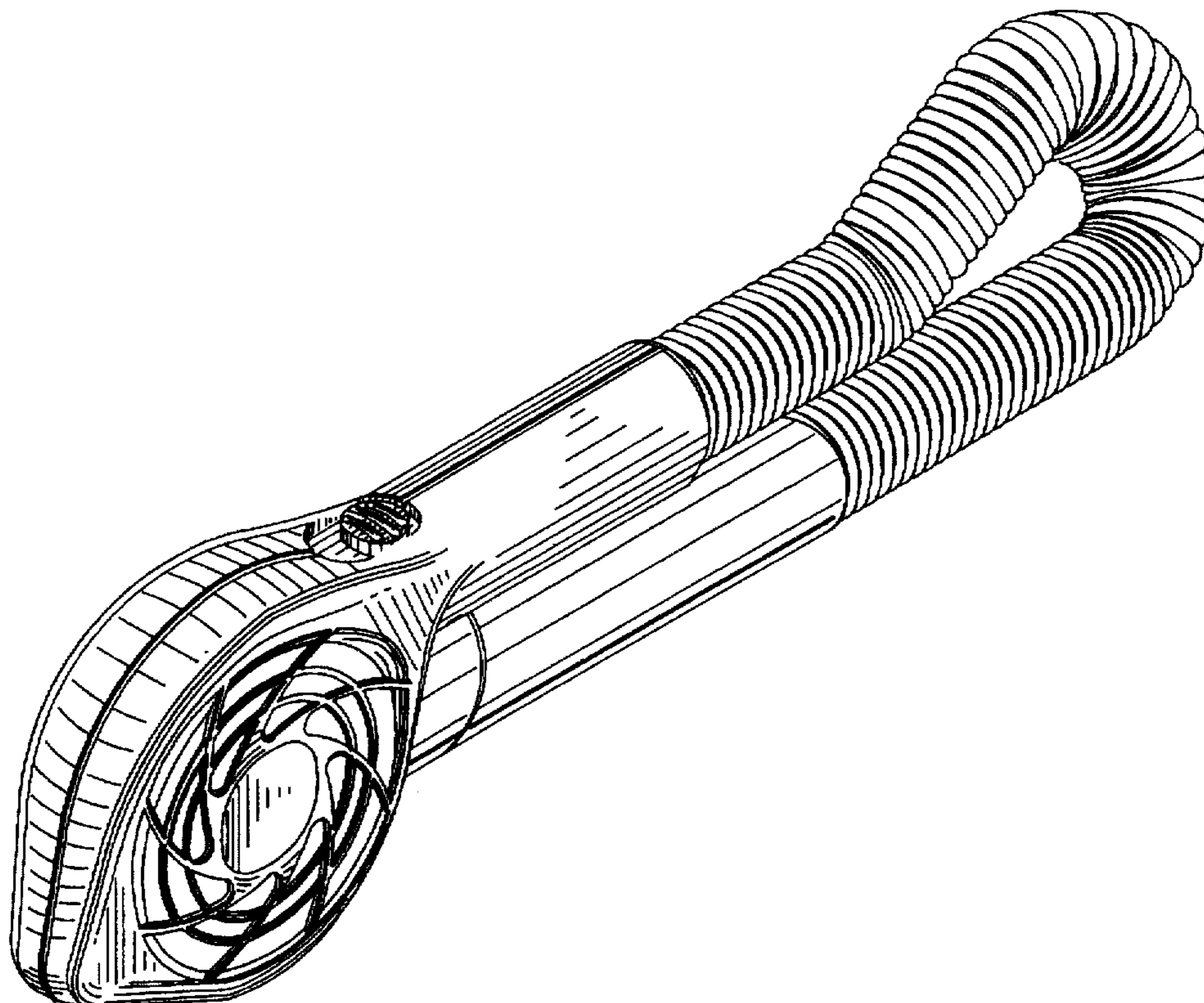
[57] **CLAIM**

The ornamental design for a portable fan, as shown.

DESCRIPTION

FIG. 1 is a perspective view taken from the front, top, and right side of a portable fan showing our new design; FIG. 2 is a right side elevational view thereof; FIG. 3 is a left side elevational view thereof; FIG. 4 is a top plan view thereof; FIG. 5 is a bottom plan view thereof; FIG. 6 is a front elevational view thereof; and, FIG. 7 is a rear elevational view thereof.

1 Claim, 3 Drawing Sheets



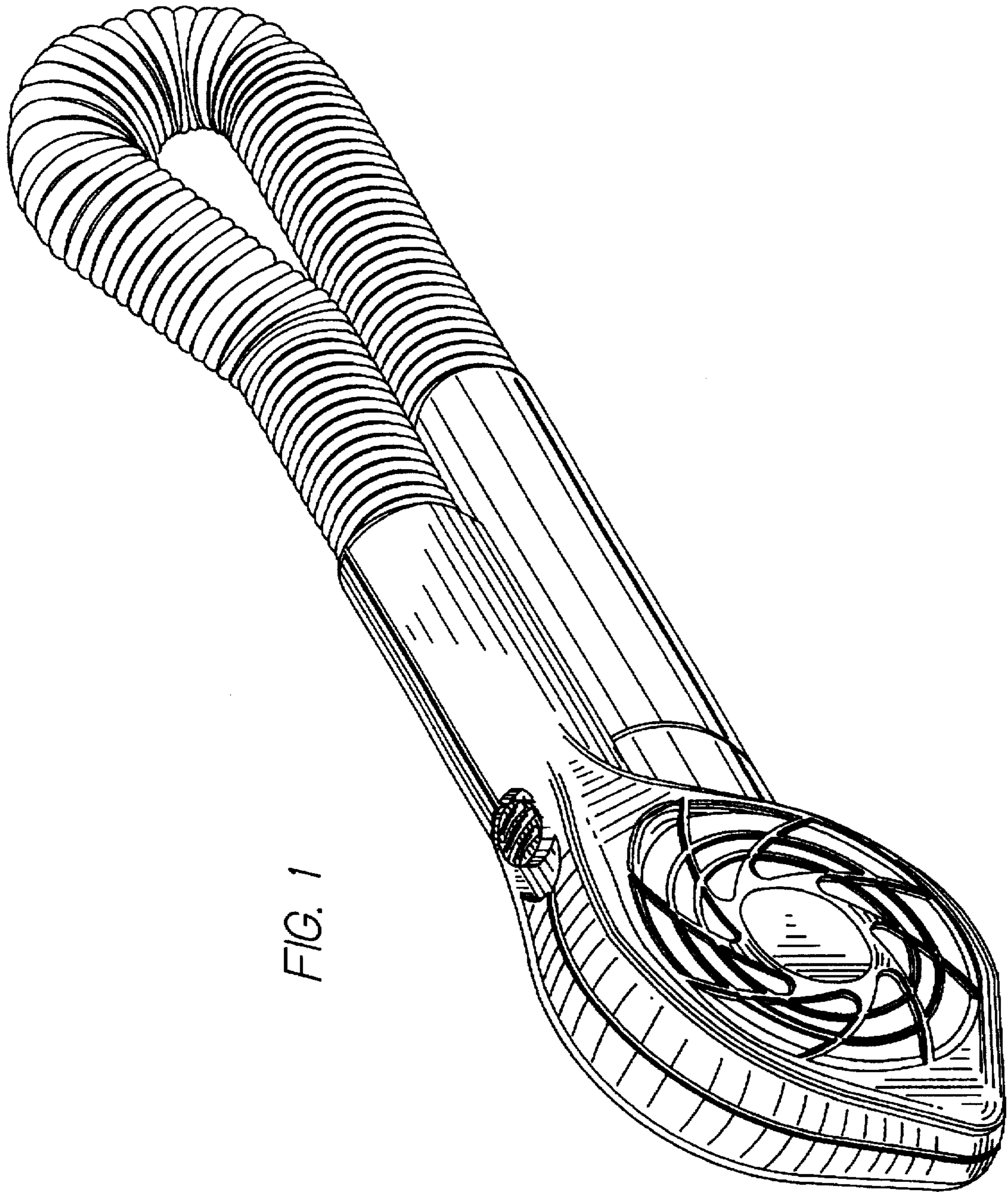


FIG. 1

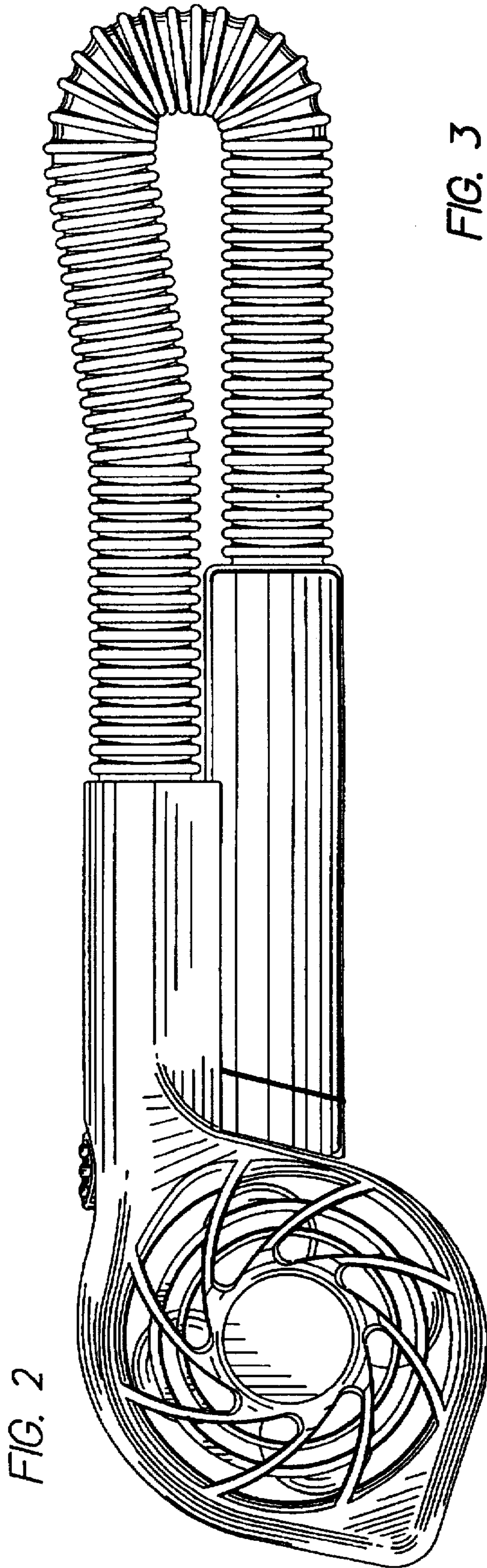


FIG. 3

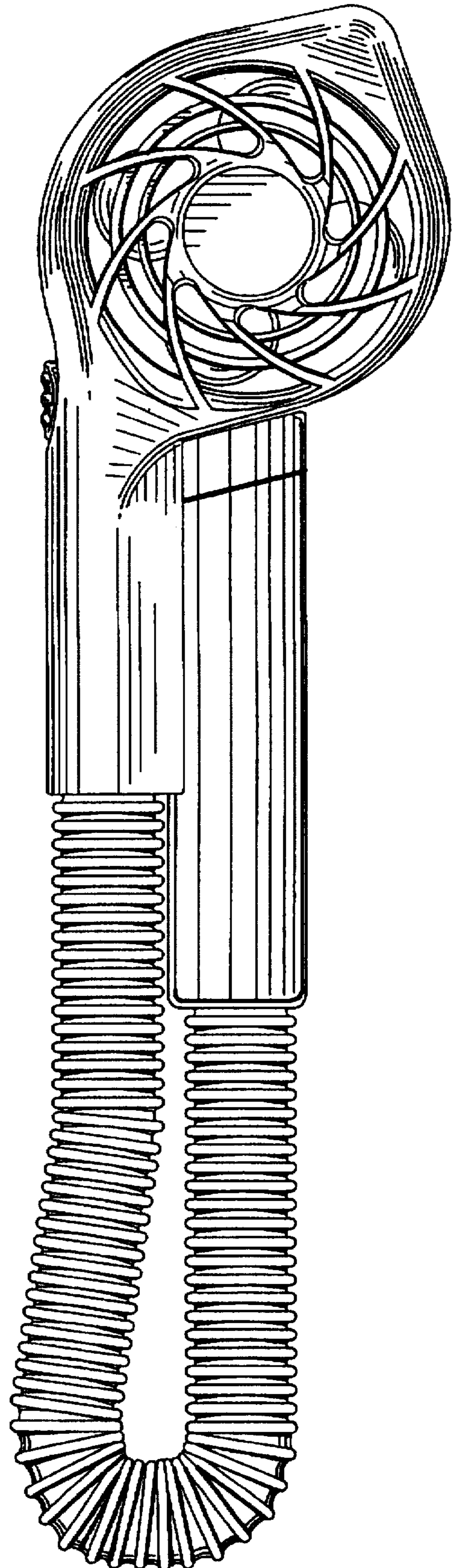


FIG. 4

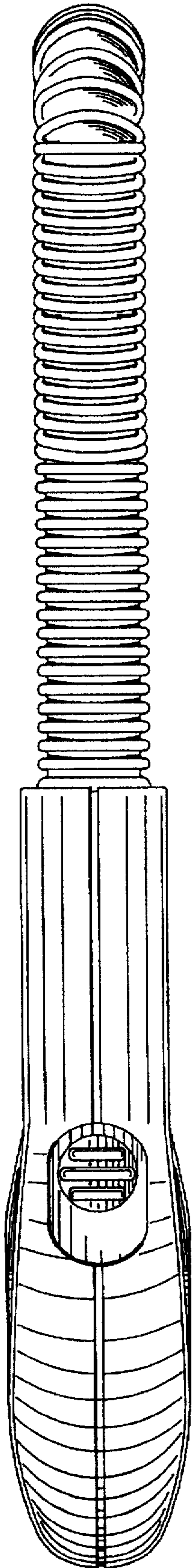


FIG. 5

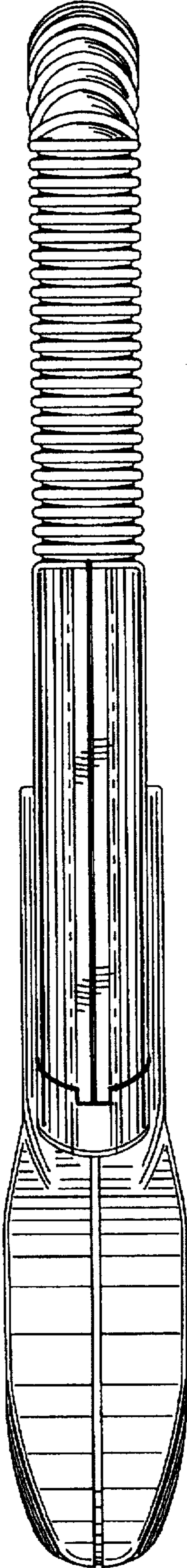


FIG. 6

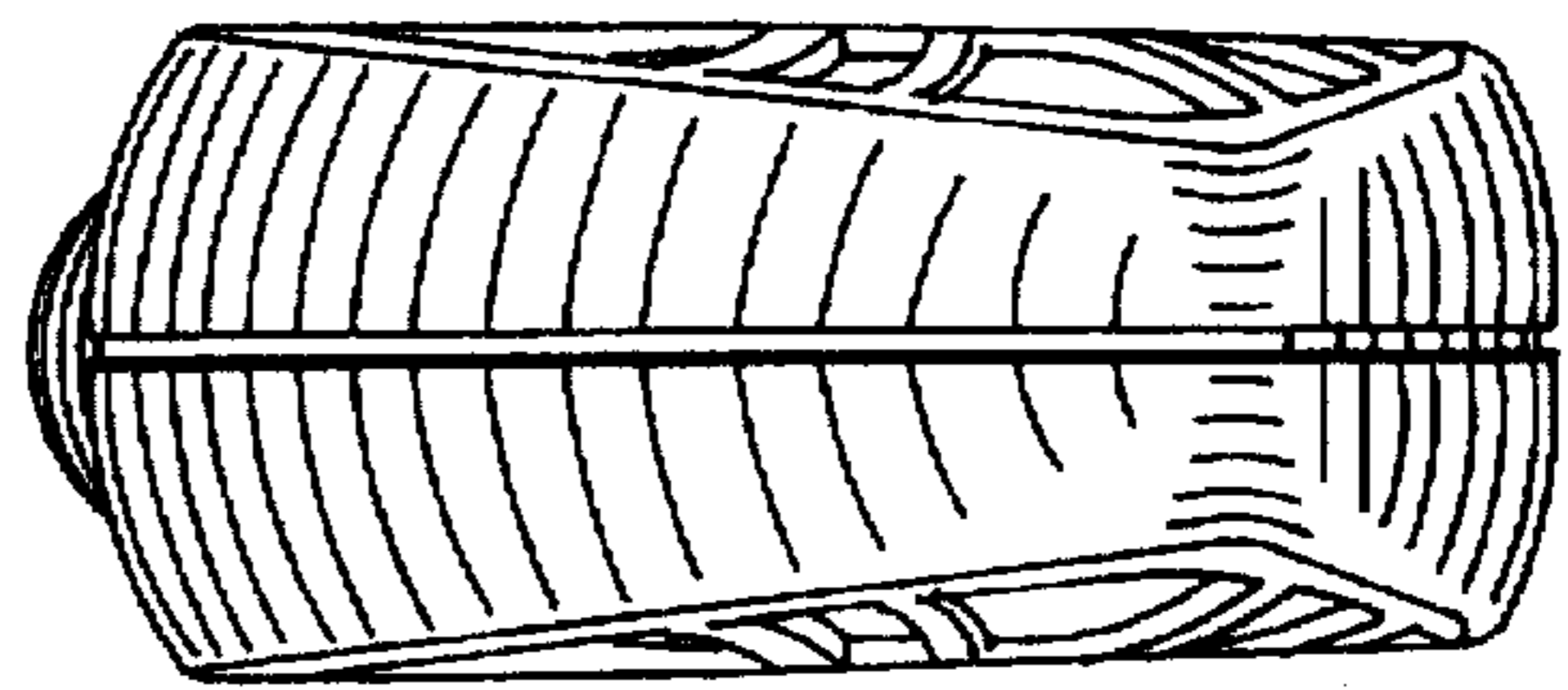


FIG. 7

