



US00D387149S

United States Patent [19]

[11] **Patent Number: Des. 387,149**

Tsuji

[45] **Date of Patent: **Dec. 2, 1997**

[54] **COMBINED CEILING FAN AND LIGHT FIXTURE**

[75] **Inventor: Masao Tsuji, Germantown, Tenn.**

[73] **Assignee: Hunter Fan Company, Memphis, Tenn.**

[**] **Term: 14 Years**

[21] **Appl. No.: 50,121**

[22] **Filed: Feb. 8, 1996**

[51] **LOC (6) Cl. 23-04**

[52] **U.S. Cl. D23/377; D23/379; D23/385**

[58] **Field of Search D23/377, 379, D23/385, 411, 413; 416/5; 392/364; 362/96; D26/81-86, 88, 59, 51, 72**

[56] **References Cited**

U.S. PATENT DOCUMENTS

- D. 315,599 3/1991 Freeman D23/411
- D. 373,629 9/1996 Chan D23/377

OTHER PUBLICATIONS

Hunter Fan Co. Cat, © 1987, p. 30, Ceiling Fan Globes (A) and (B), upper right side of page.
 Minka ◊ Aire Cat., p. 49, Ceiling Fan (C), bottom right side of page.

Primary Examiner—Lisa Lichtenstein
Attorney, Agent, or Firm—Baker, Donelson, Bearman & Caldwell

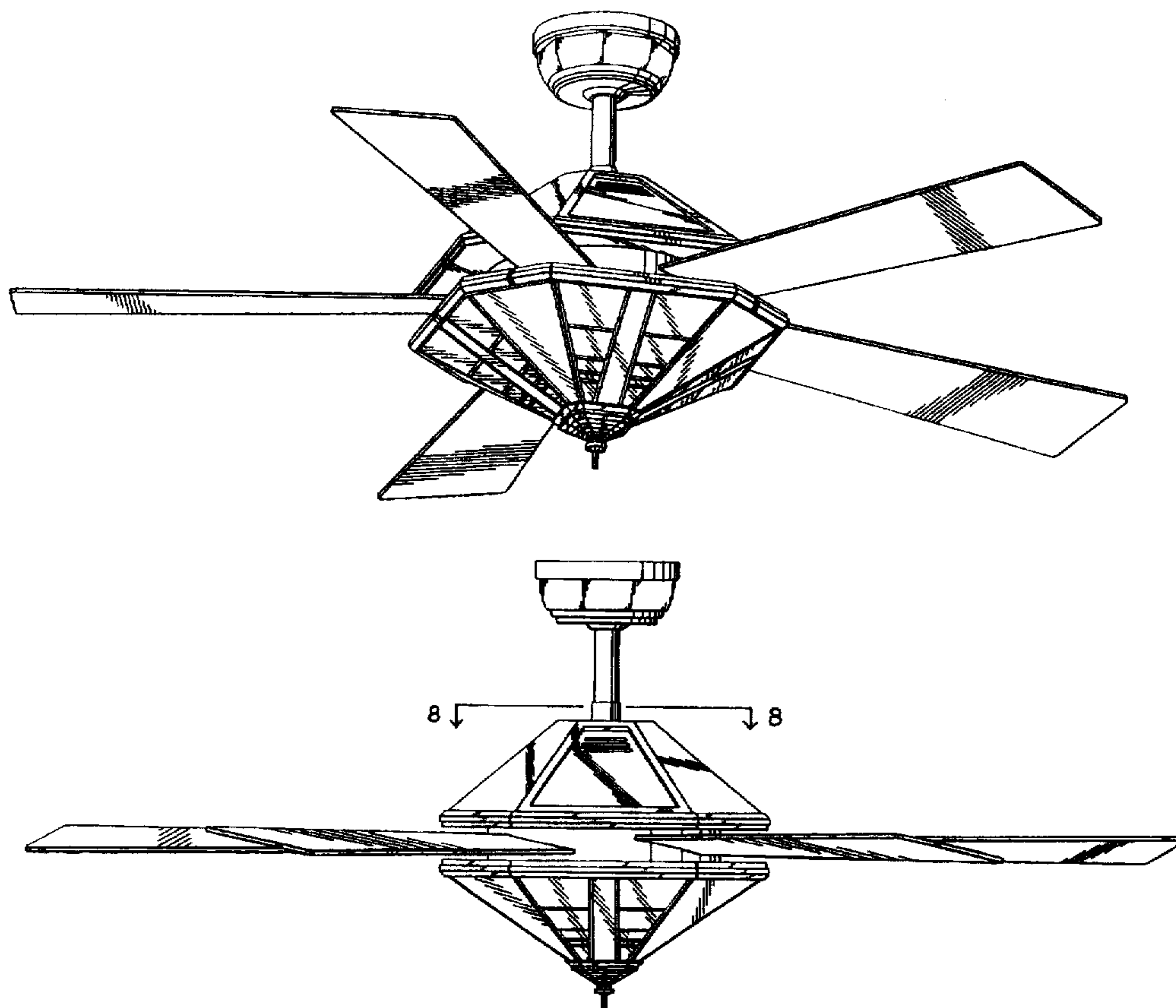
[57] **CLAIM**

The ornamental design for a combined ceiling fan and light fixture, as shown.

DESCRIPTION

FIG. 1 is a perspective view of a combined ceiling fan and light fixture showing my new design;
 FIG. 2 is a front elevational view of the design shown in FIG. 1;
 FIG. 3 is a rear elevational view of the design shown in FIG. 1;
 FIG. 4 is a left side elevational view of the design shown in FIG. 1;
 FIG. 5 is a right side elevational view of the design shown in FIG. 1;
 FIG. 6 is a top plan view of the design shown in FIG. 1, on a reduced scale;
 FIG. 7 is a bottom plan view of the design shown in FIG. 1, on a reduced scale; and,
 FIG. 8 is a cross-sectional view on a reduced scale taken along line 8—8 in FIG. 2 and looking in the direction of the arrows.

1 Claim, 8 Drawing Sheets



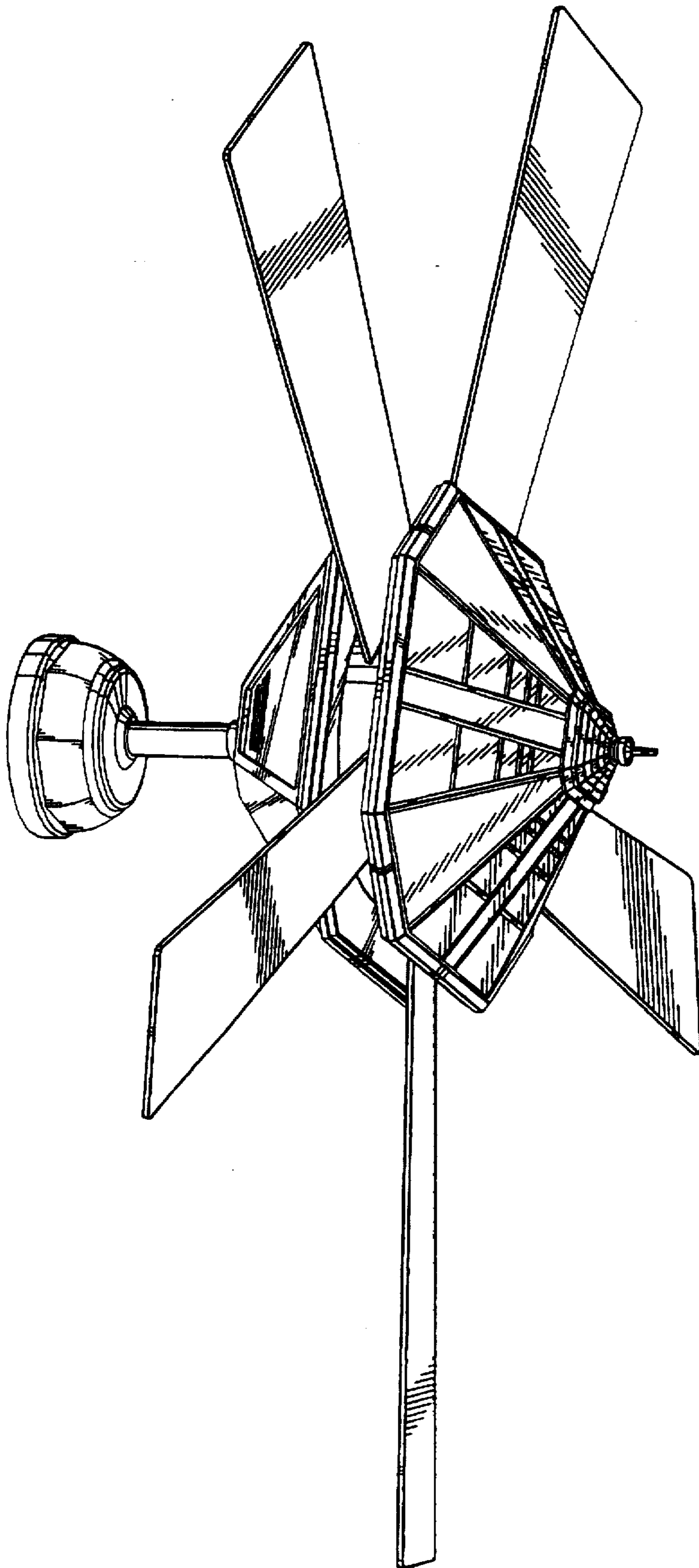


FIG 1

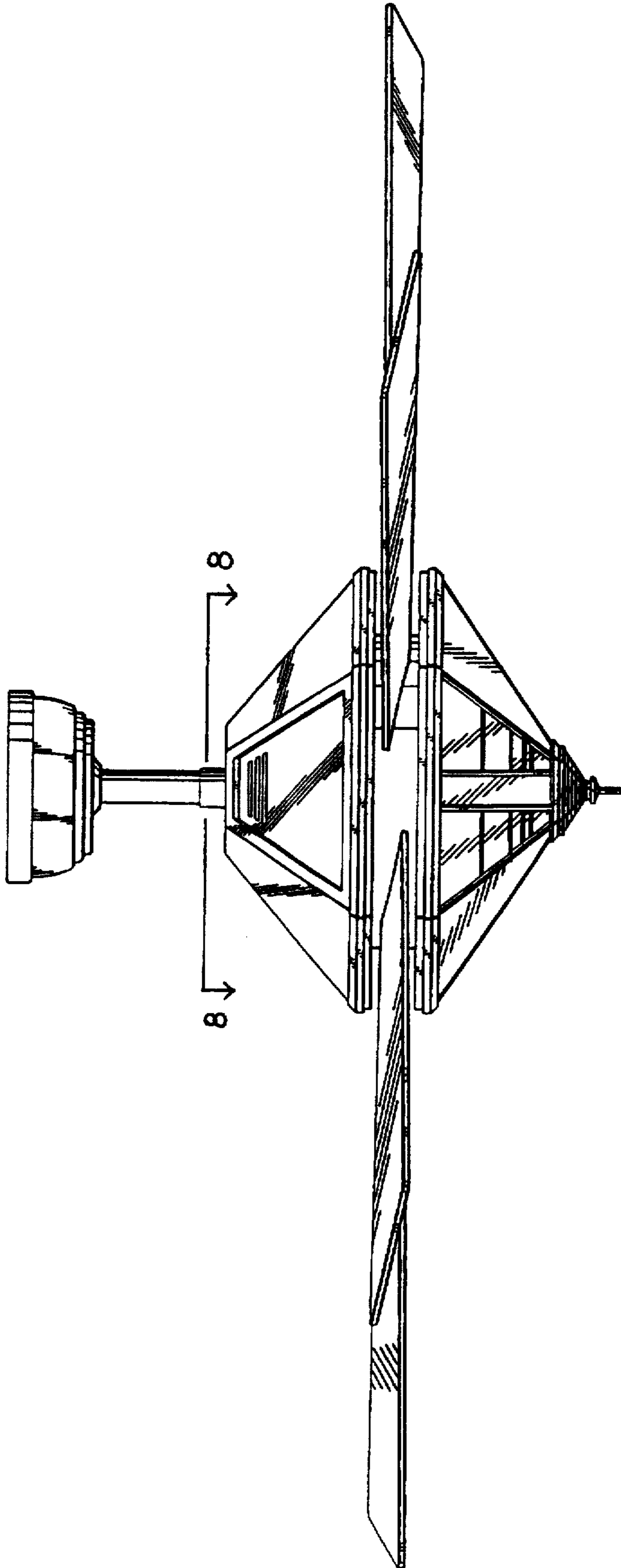


FIG 2

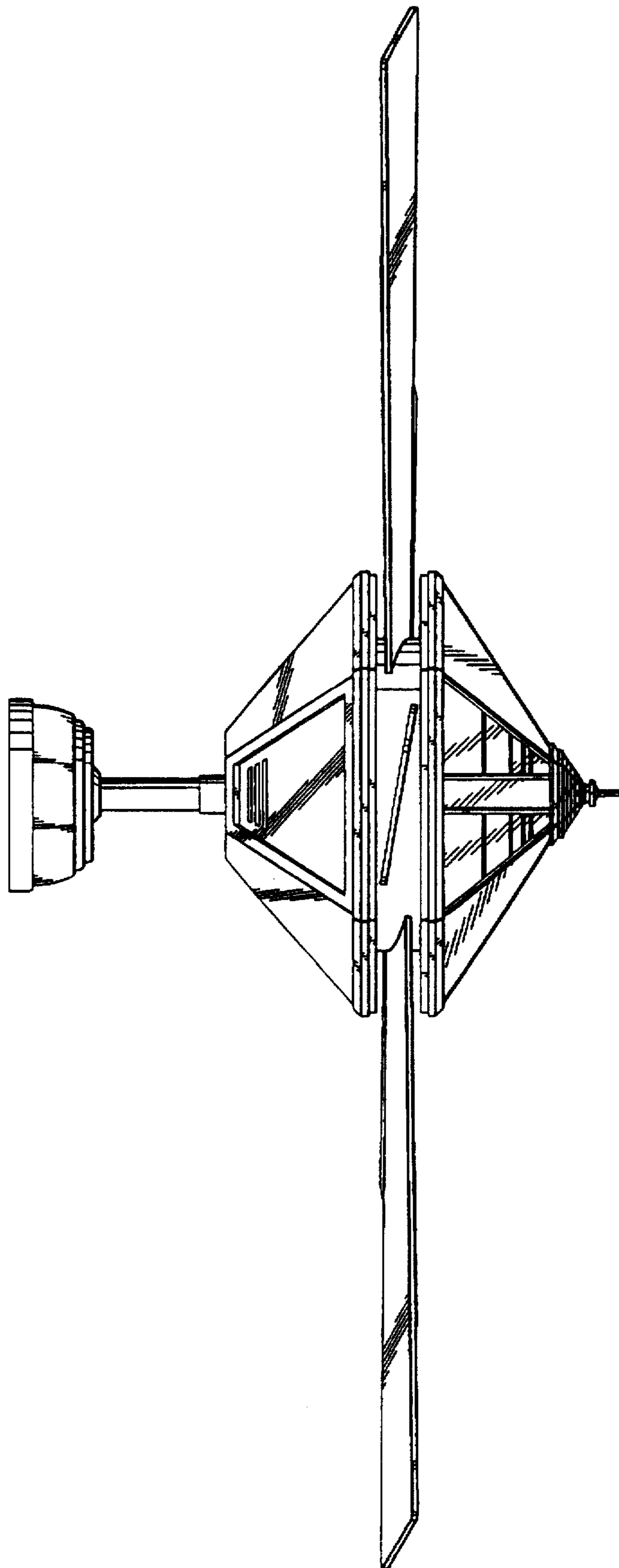


FIG 3

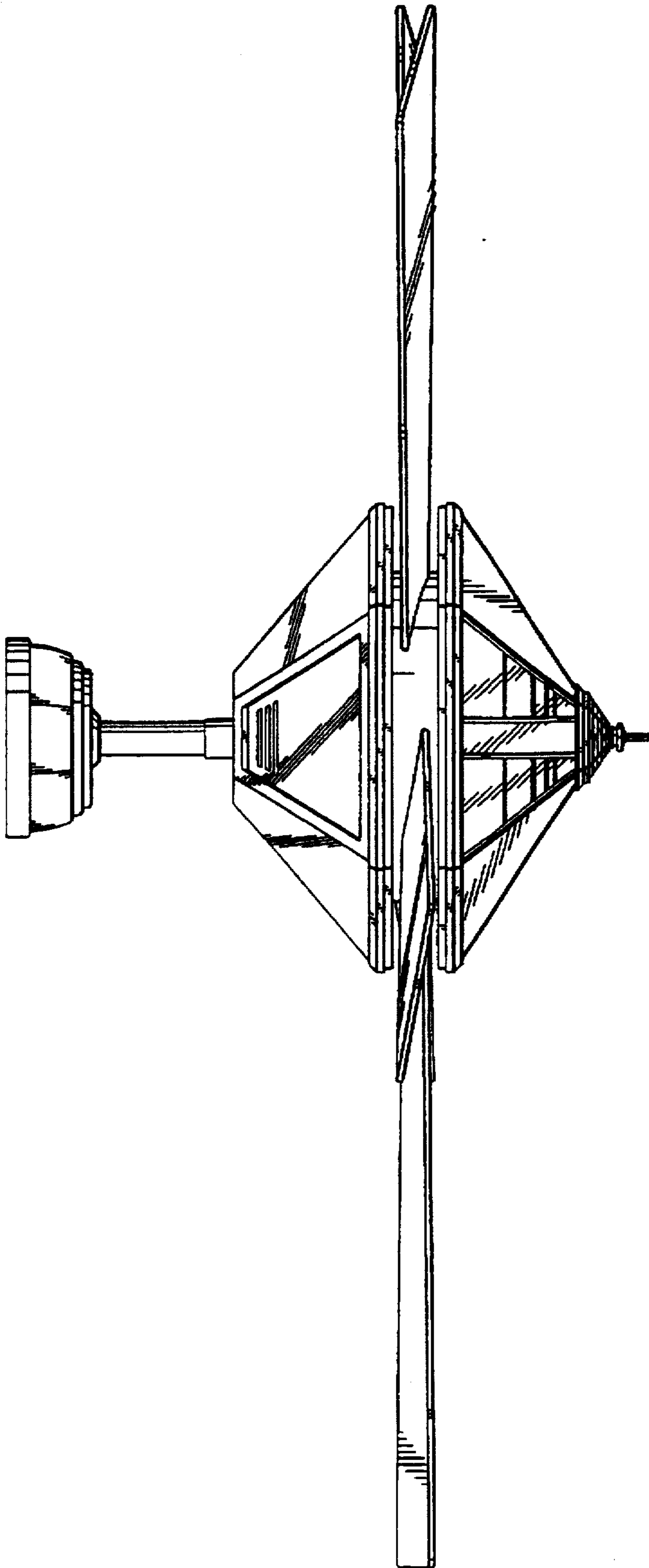


FIG 4

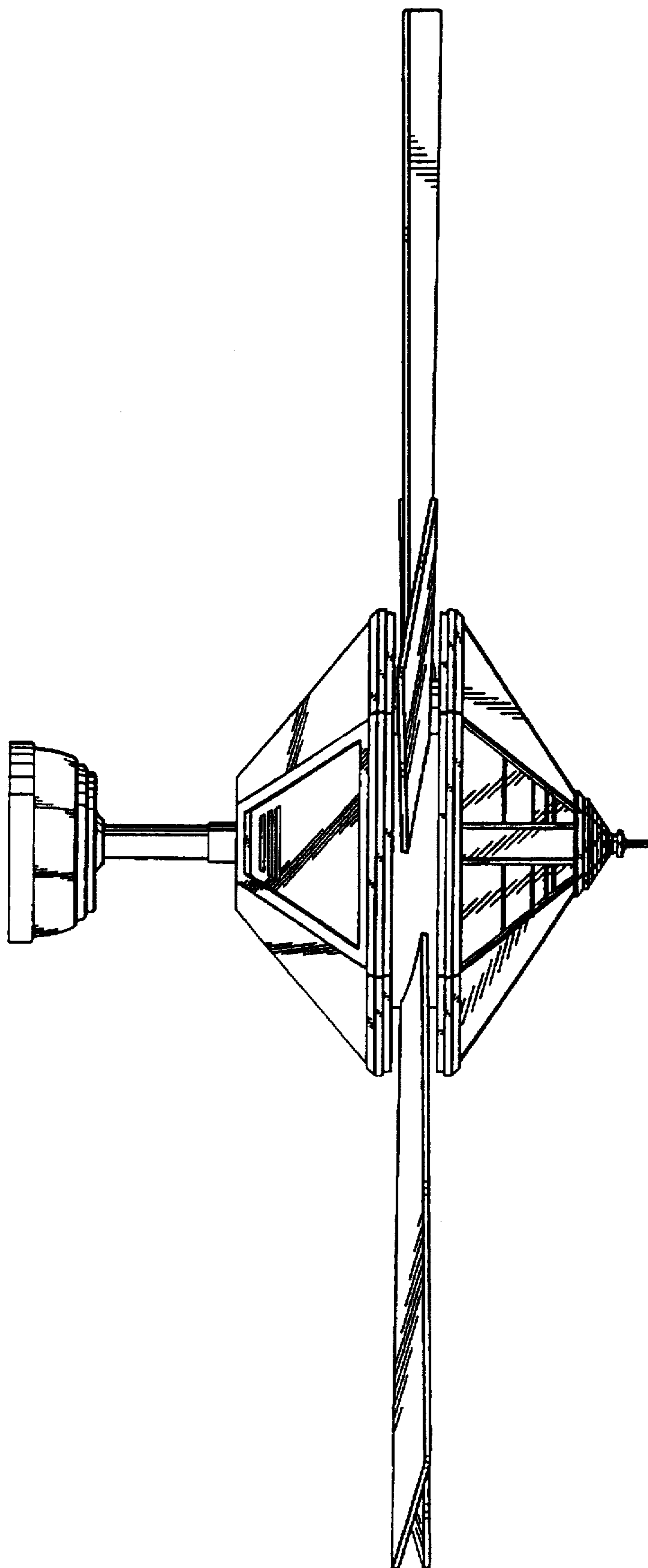


FIG 5

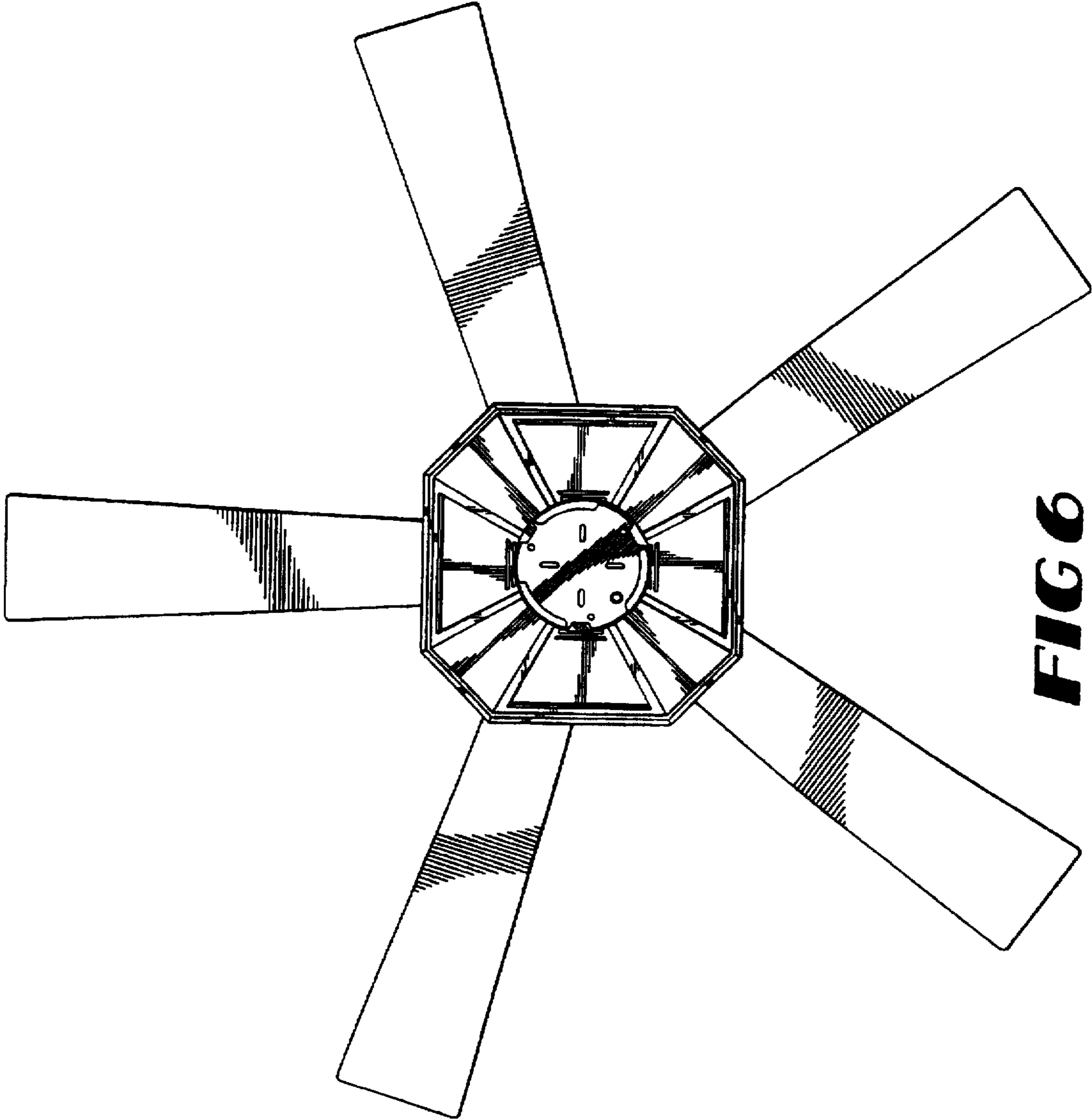


FIG 6

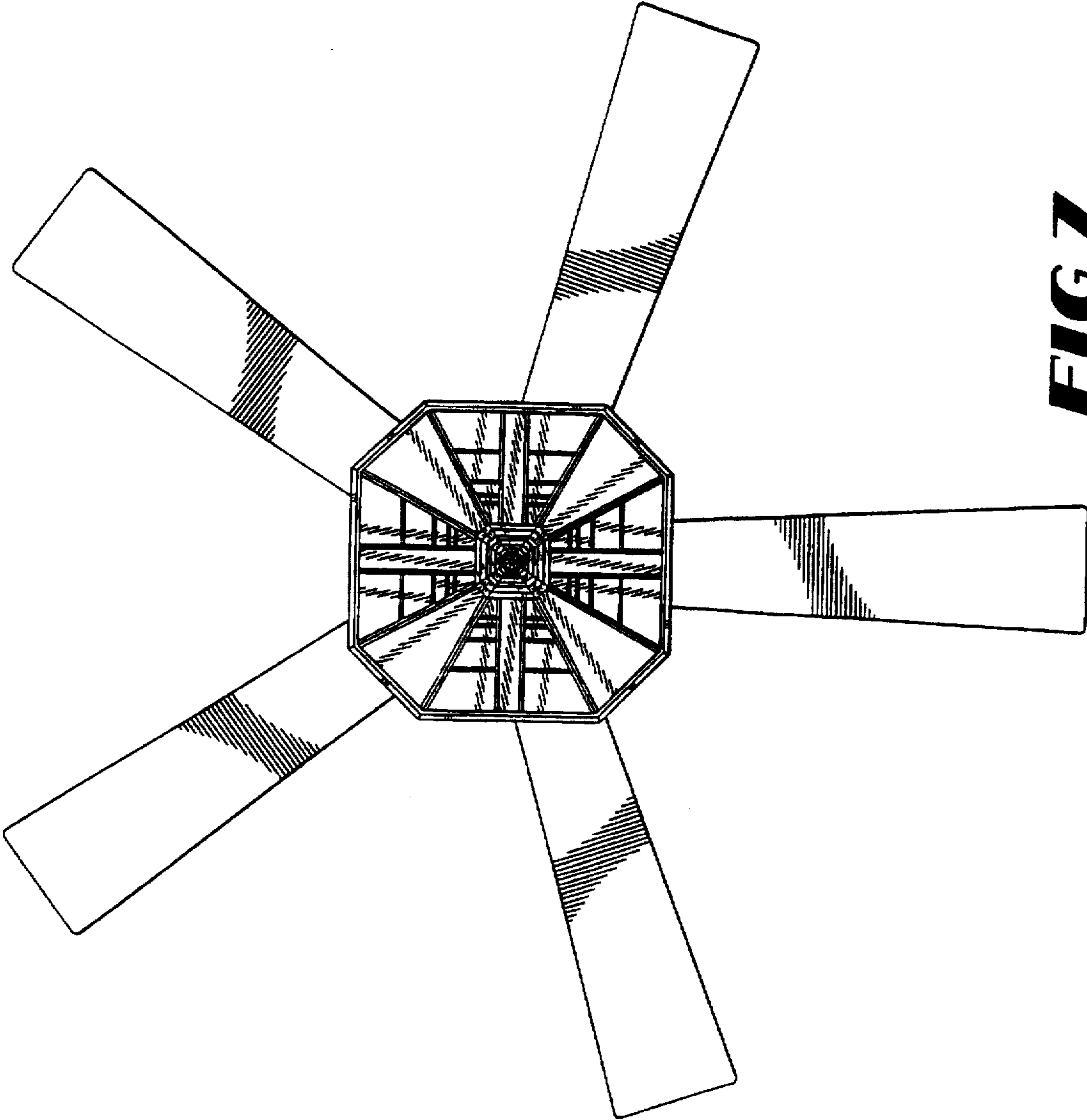


FIG 7

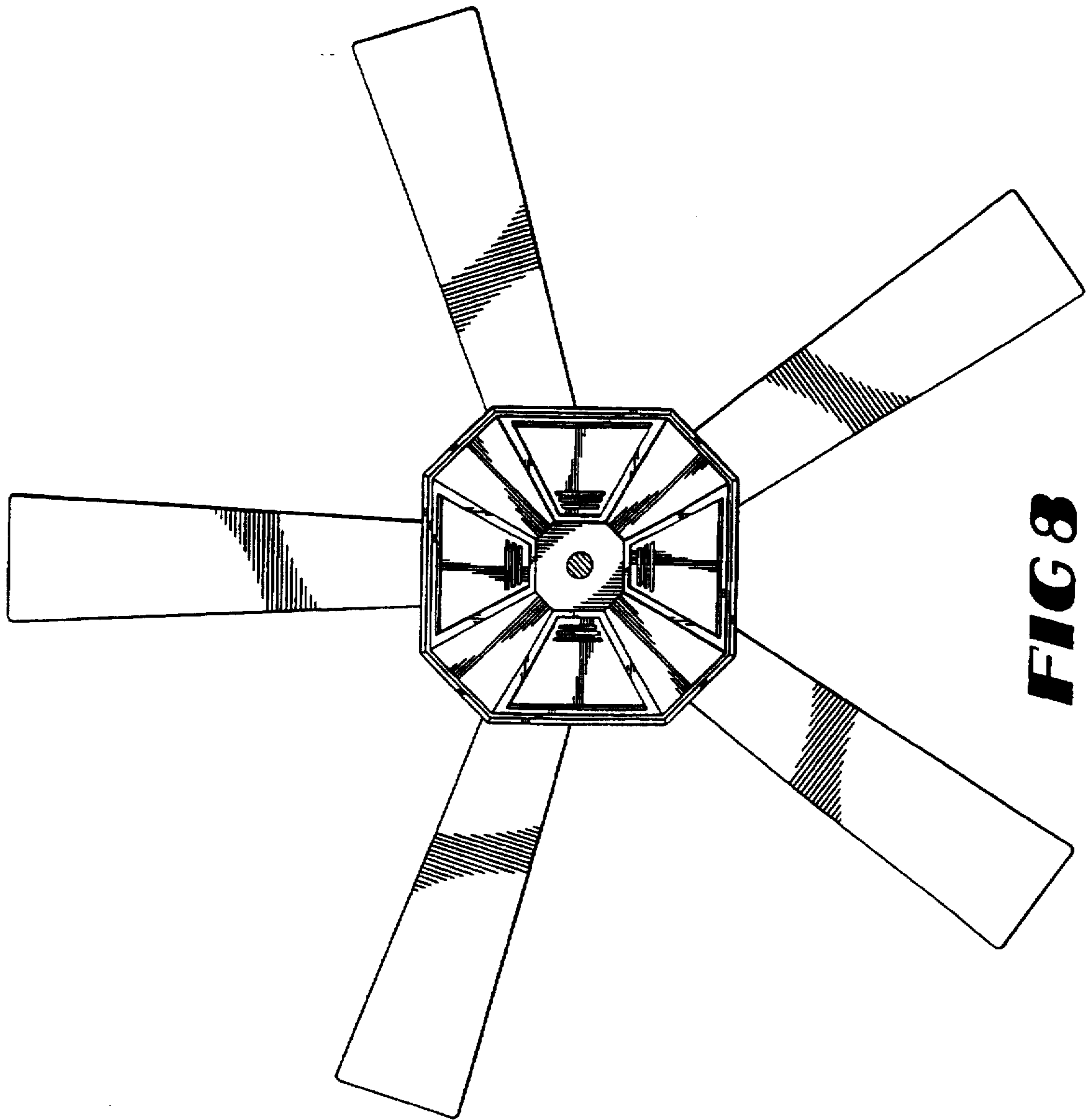


FIG 8