



US00D387147S

**United States Patent** [19]  
**Vandermast et al.**

[11] **Patent Number:** **Des. 387,147**  
[45] **Date of Patent:** **\*\*Dec. 2, 1997**

- [54] **PLASTIC LUER FITTING**
- [75] Inventors: **Nueboch Vandermast**, Mountain Home; **Brett Menke**, Flippin, both of Ark.
- [73] Assignee: **Ark Plas Products, Inc.**, Flippin, Ark.
- [\*\*] Term: **14 Years**
- [21] Appl. No.: **51,997**
- [22] Filed: **Mar. 21, 1996**
- [51] LOC (6) Cl. .... **23-01**
- [52] U.S. Cl. .... **D23/262**
- [58] Field of Search ..... D23/259, 262, D23/266; D24/110.4, 110.5, 110.6, 129; 285/332, 423

[56] **References Cited**

**U.S. PATENT DOCUMENTS**

D. 33,463	10/1900	Glauber	.....	D23/262
D. 56,927	1/1921	Humphrey	.....	D23/262
D. 229,412	11/1973	Luckenbill et al.	.....	D23/262
D. 229,416	11/1973	Luckenbill et al.	.....	D23/262
D. 252,247	7/1979	Pawlak	.....	D24/129
D. 300,361	3/1989	Tokarz	.....	D24/129
2,362,686	11/1944	De Lano	.....	285/332.3
3,462,802	8/1969	Merser	.....	24/16 PB
3,466,077	9/1969	Moberg	.....	292/322
4,603,890	8/1986	Huppee	.....	285/239
4,971,366	11/1990	Towsley	.....	285/12
5,257,833	11/1993	McNaughton et al.	.....	285/921 X

**OTHER PUBLICATIONS**

Imperial Fluid Transmission Components, Cat. 114-C ©1982 ① p. 97-119-B reducing bushing; ② p. 106-Female 45° SAE and 37° JIC Flare Swivel.  
 Cole Parmer Instrument Company 1991-92 Cat. ① p343-item A Male Pipe Adaptor ② p. 346: item Nos. 06359-17 and 06359-37.

CPC Quick Couplings For Plastic Tubing, p. 26: item indicated by arrow.  
 Lincoln Controls Hydraulic/Pneumatic Systems and Equipment ©1982 p. 702:Female 45° SAE and 37° JIC Flare Swivel.  
 Document Number 1817921 Date Jan. 25, 1994 Name Valve Plastics, Inc. Filing Date Sep. 14, 1992.  
 Document Number 1871323 Date Jan. 03, 1995 Name Valve Plastics, Inc. Filing Date May 24, 1993.  
 Parker Hanifin, Corp., Parlex Division, Mini Barb Fittings Catalogue #4660 Of Dec. 1993.  
 CPC Colder Products Co., CPC Quick Couplings for Plastic Tubing Catalogue-undated.  
 MicroPlastics, Inc. Drawing dated Apr. 20, 1982 Tee for 3/8" ID Tubing.  
 Micro Plastics, Inc. Drawing dated May 8, 1981 Barbed Fitting.  
 Ark-Plas Products, Inc.—Miniature Barbed Fitting, Miniature Tee, Miniature barbed connector & miniture Reducer, 2 pages bearing facimile date Oct. 3, 1994.

*Primary Examiner*—Ted Shooman  
*Assistant Examiner*—C. Tuttle  
*Attorney, Agent, or Firm*—Stephen D. Carver; Trent C. Keisling

[57] **CLAIM**

The ornamental design for a plastic luer fitting, as shown and described.

**DESCRIPTION**

FIG. 1 is a left side isometric view of our plastic luer fitting; FIG. 2 is a right side isometric view thereof; FIG. 3 is a side elevational view of our fitting, with the opposite side being a mirror image thereof; FIG. 4 is an end elevational view of our fitting, taken from the left of FIG. 3; and, FIG. 5 is an end elevational view of our fitting, taken from the right of FIG. 3.

**1 Claim, 2 Drawing Sheets**

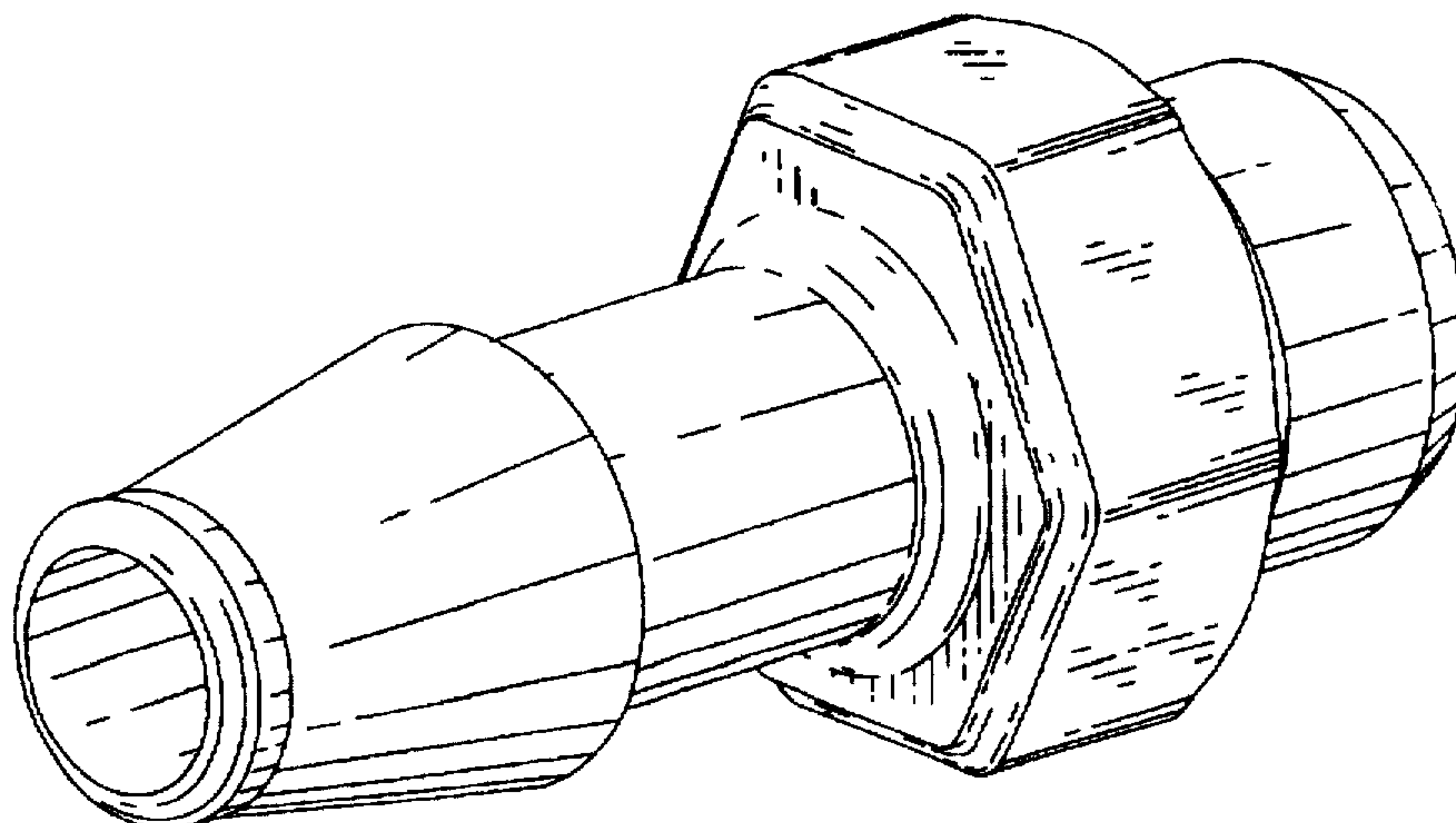


FIG. 1

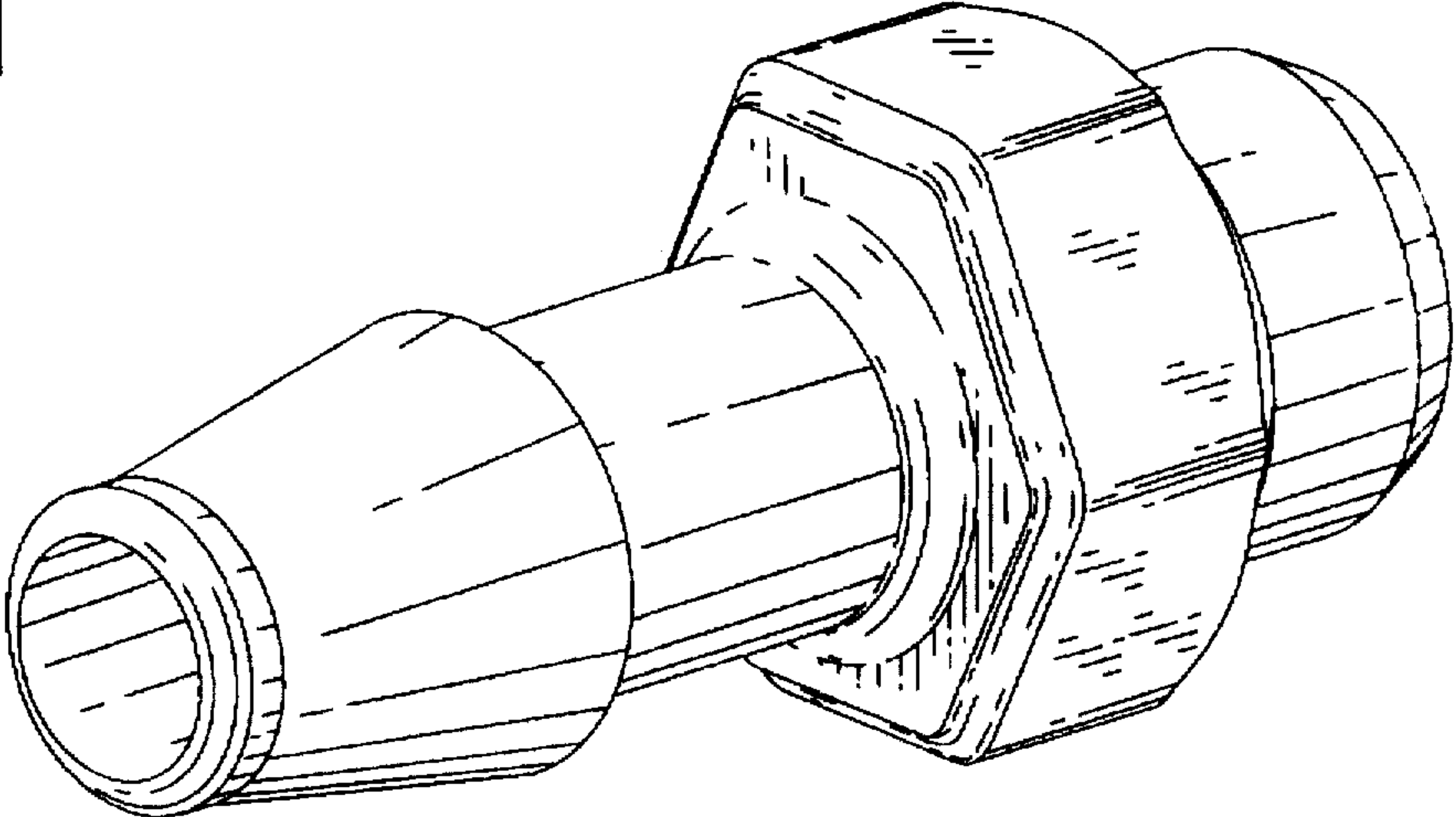


FIG. 2

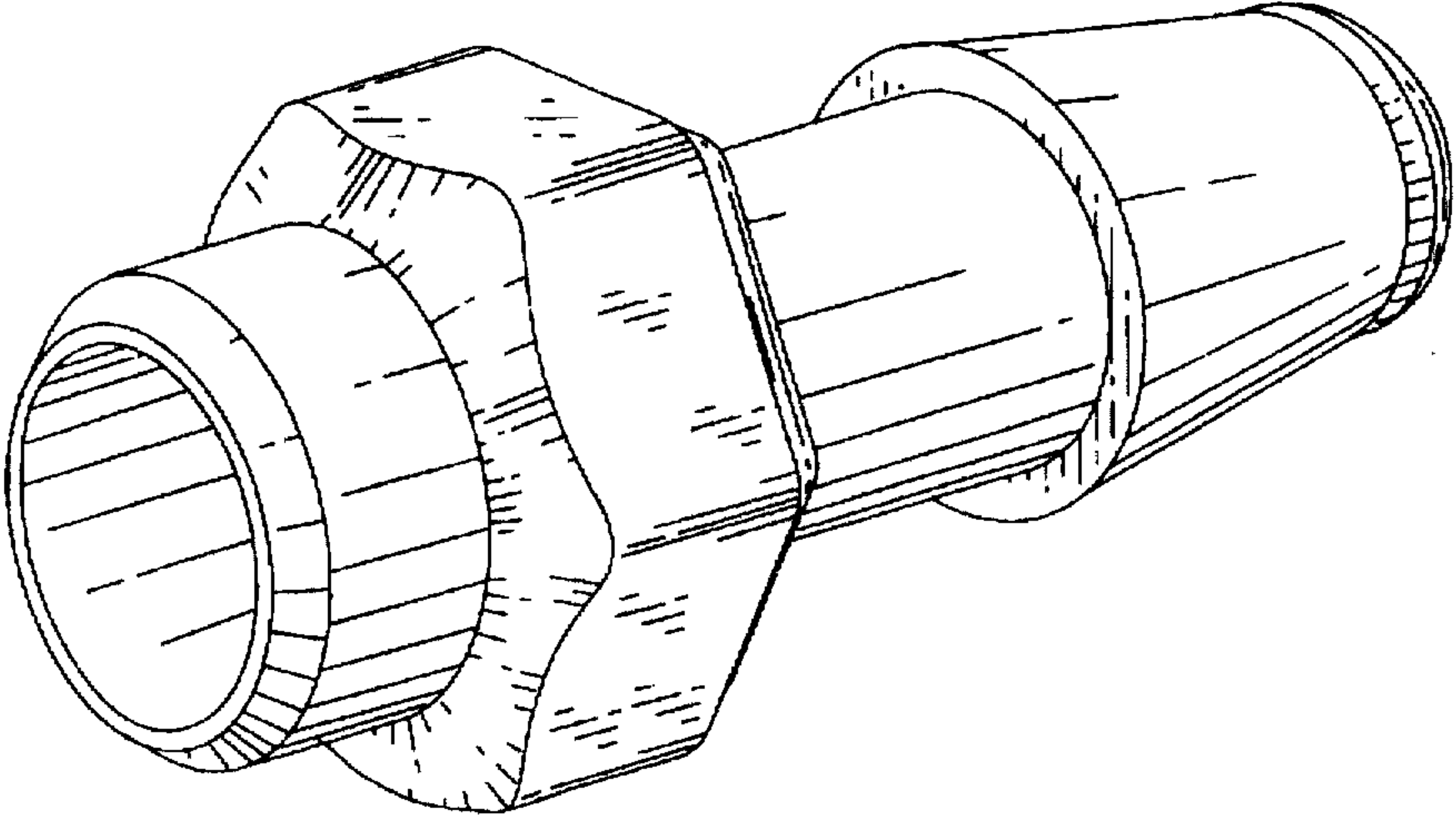


FIG. 3

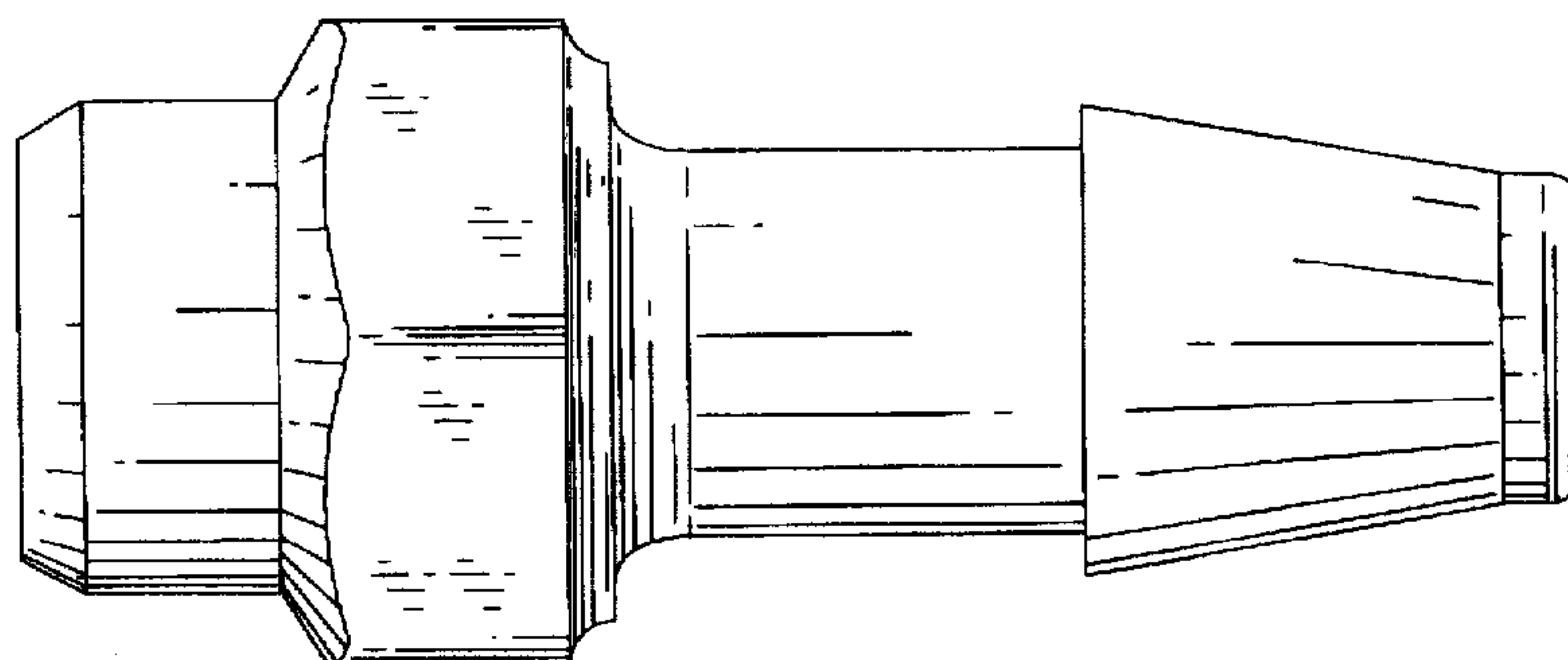


FIG. 4

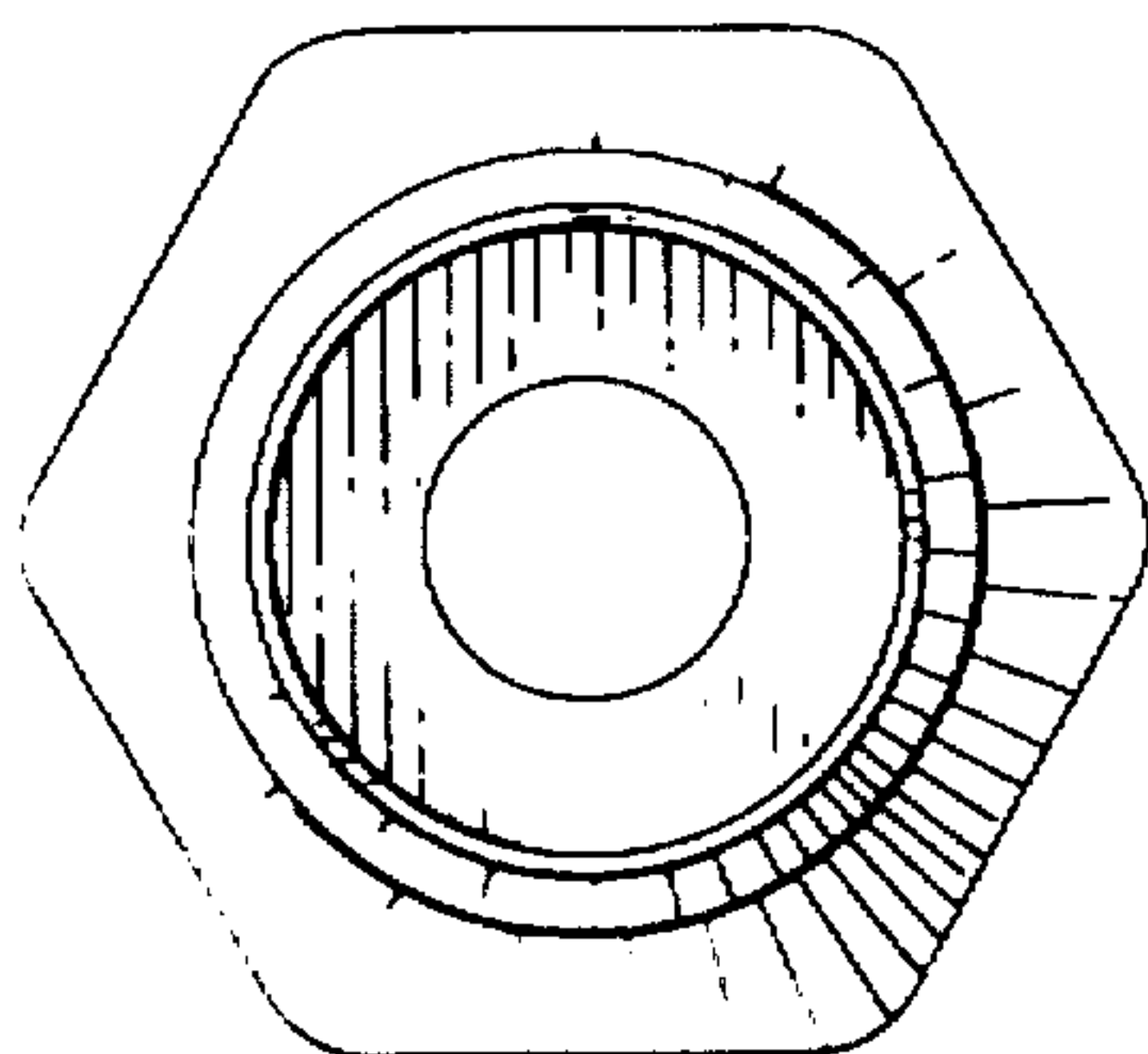


FIG. 5

