



US00D387146S

United States Patent [19]

[11] Patent Number: **Des. 387,146**

Morrison

[45] Date of Patent: *****Dec. 2, 1997**

[54] **COMBINED HOSE AND FLOW LINE COUPLING MEMBER**

[75] Inventor: **Leigh Wayne Morrison**, Footscray, Australia

[73] Assignee: **Australasian Steel Products Pty Ltd.**, Victoria, Australia

[*] Notice: The portion of the term of this patent subsequent to Mar. 26, 2020, has been disclaimed.

[**] Term: **14 Years**

[21] Appl. No.: **48,288**

[22] Filed: **Dec. 22, 1995**

[30] Foreign Application Priority Data

Jun. 26, 1995 [AU] Australia 1945/95

[51] LOC (6) Cl. **23-01**

[52] U.S. Cl. **D23/262**

[58] Field of Search D23/259, 260, D23/262, 266; D24/110.4, 110.5, 110.6, 129; 285/38, 239; 137/614.06; 251/149.1, 149.6; 138/109

[56] References Cited

U.S. PATENT DOCUMENTS

Re. 27,364 5/1972 German 137/614.06 X

D. 235,343	6/1975	Otto	D23/262
D. 313,067	12/1990	Kotake et al.	D23/262
D. 368,304	3/1996	Morrison	D23/262
2,647,768	8/1953	Exton	285/179 X
3,378,225	4/1968	Snyder, Jr.	251/149.6
3,393,703	7/1968	Richardson et al.	285/153
3,930,674	1/1976	Jonsson	285/179 X
5,167,398	12/1992	Wade et al.	251/149.6

FOREIGN PATENT DOCUMENTS

123510 (1600/
94) 5/1994 Australia .

Primary Examiner—Ted Shooman
Assistant Examiner—C. Tuttle
Attorney, Agent, or Firm—Oliff & Berridge

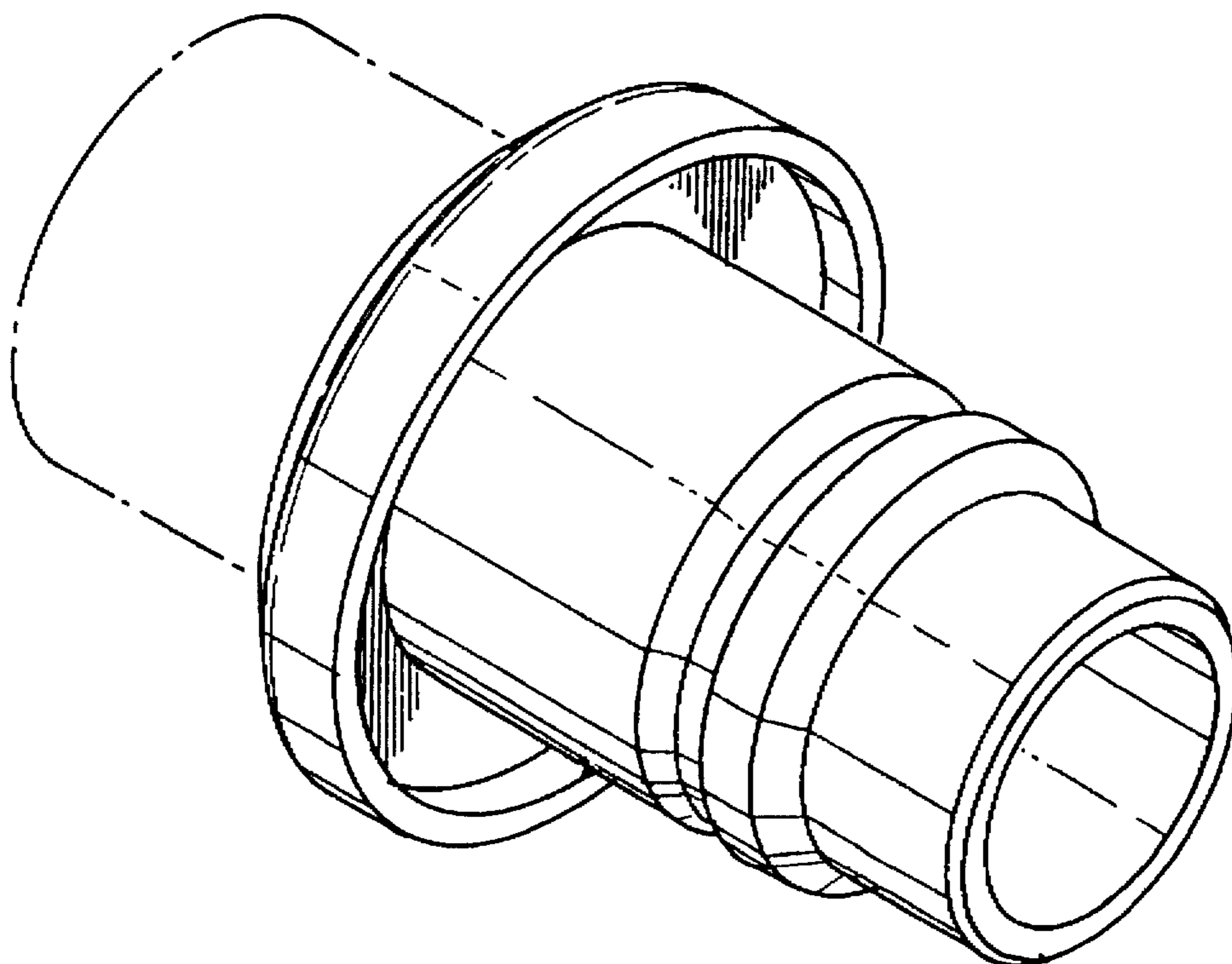
[57] CLAIM

The ornamental design for a combined hose and flow line coupling member, as shown and described.

DESCRIPTION

FIG. 1 is a side view of the combined hose and flow line coupling member, the opposite side being a mirror image; FIG. 2 is a rear view of the design in FIG. 1; FIG. 3 is a front view of the design in FIG. 1; and, FIG. 4 is a front perspective view of the design in FIG. 1. The broken line shown is for illustrative purposes only and forms no part of the claimed design.

1 Claim, 1 Drawing Sheet



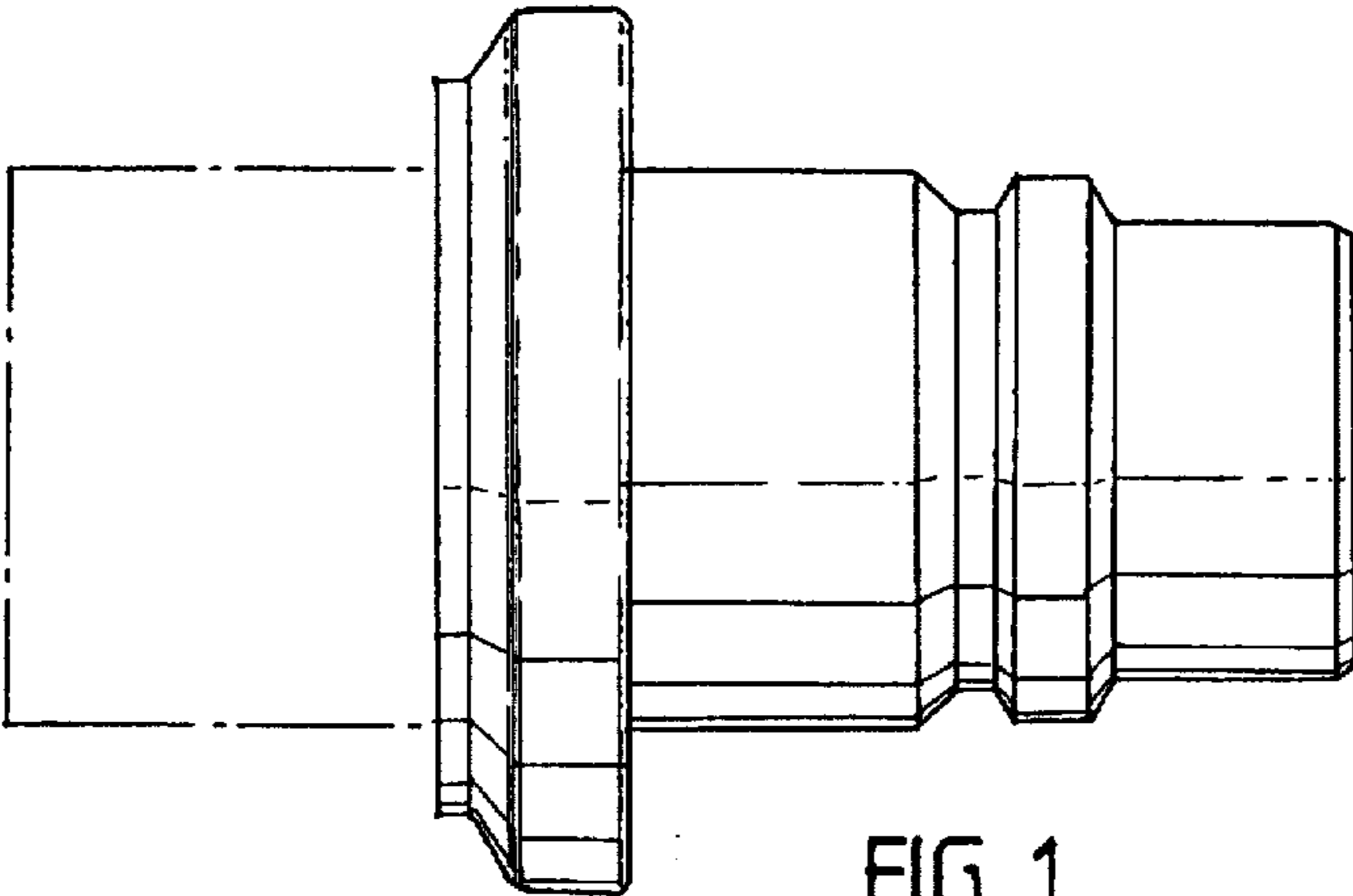


FIG 1

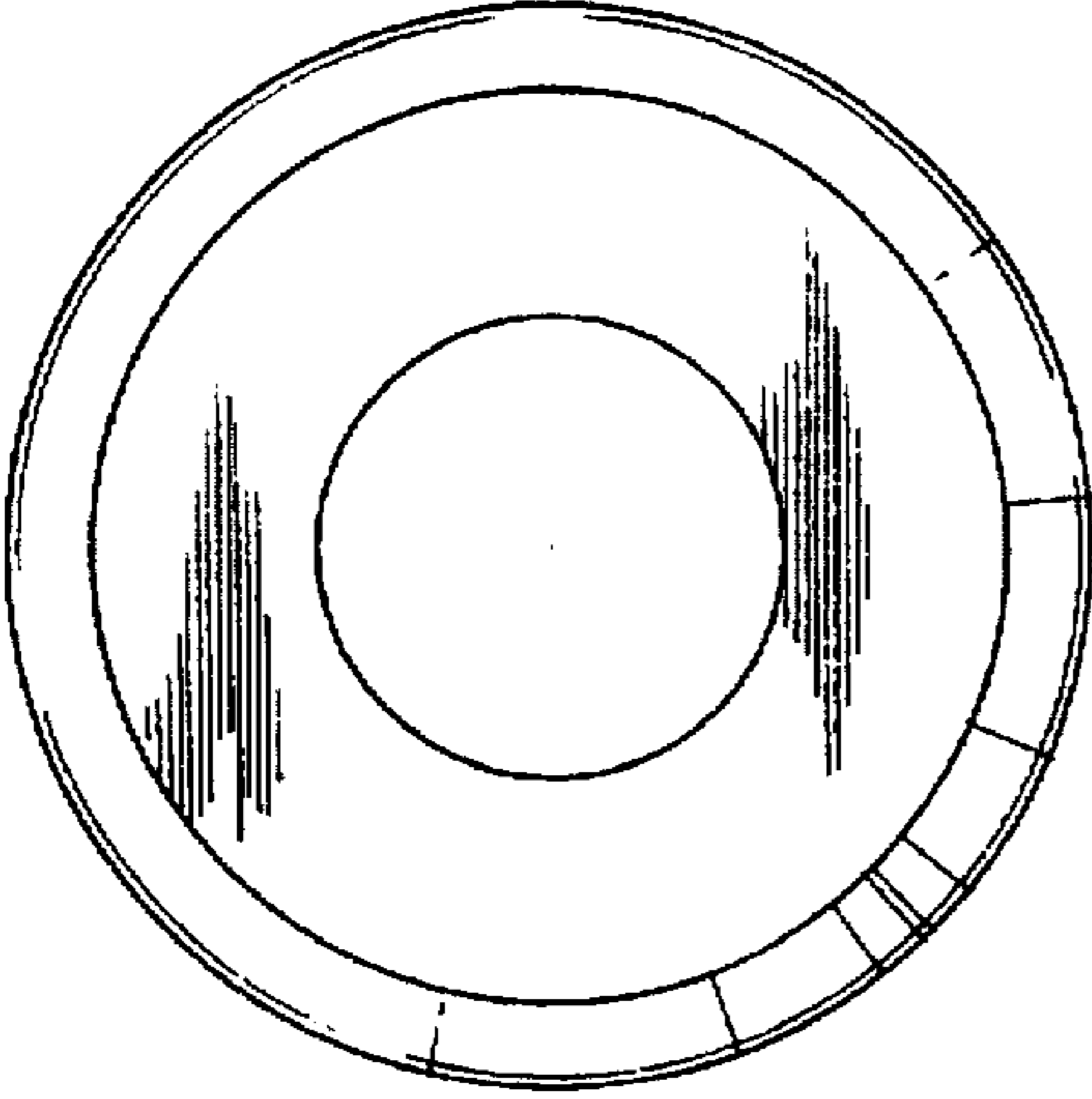


FIG 2

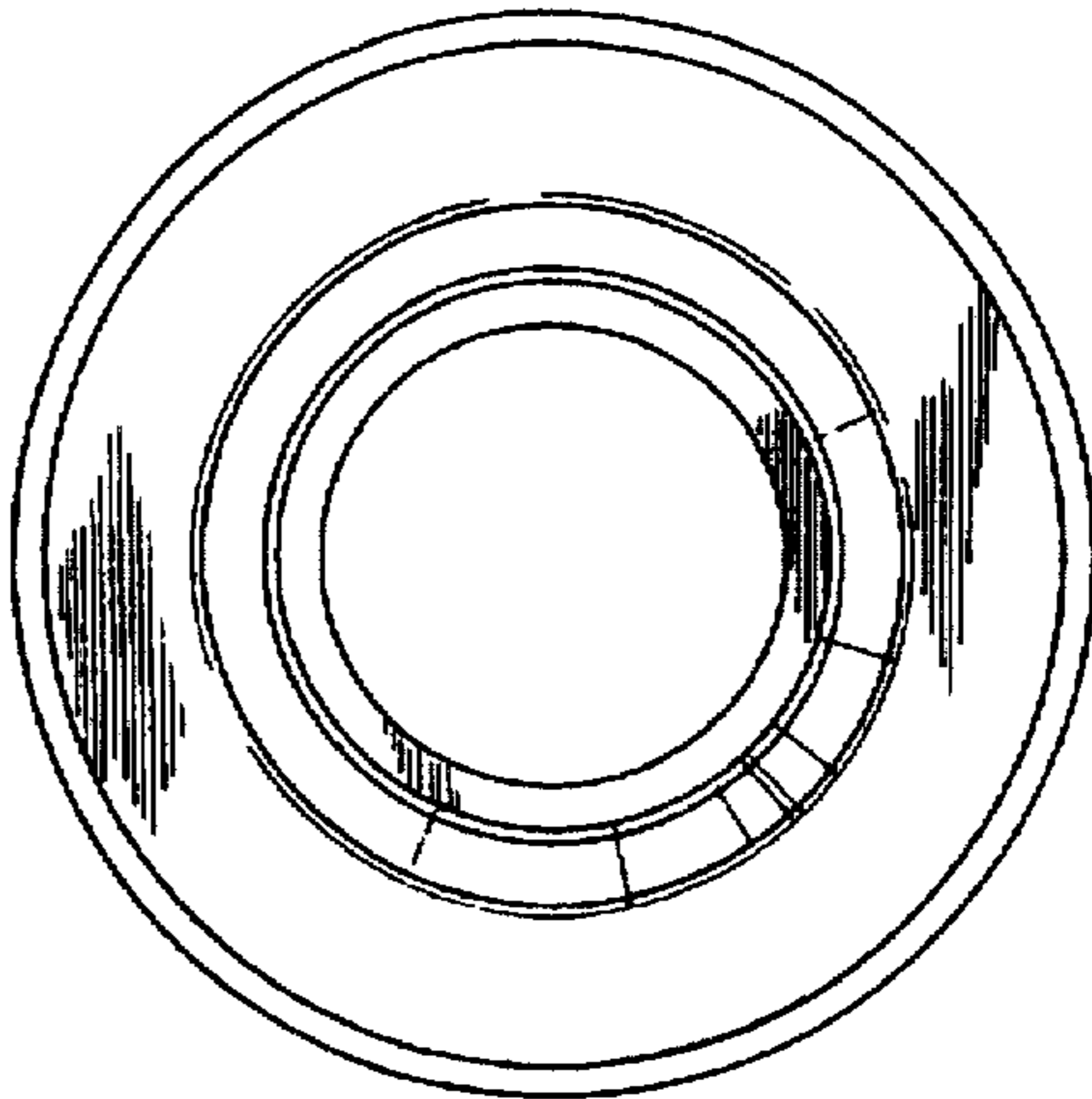


FIG 3

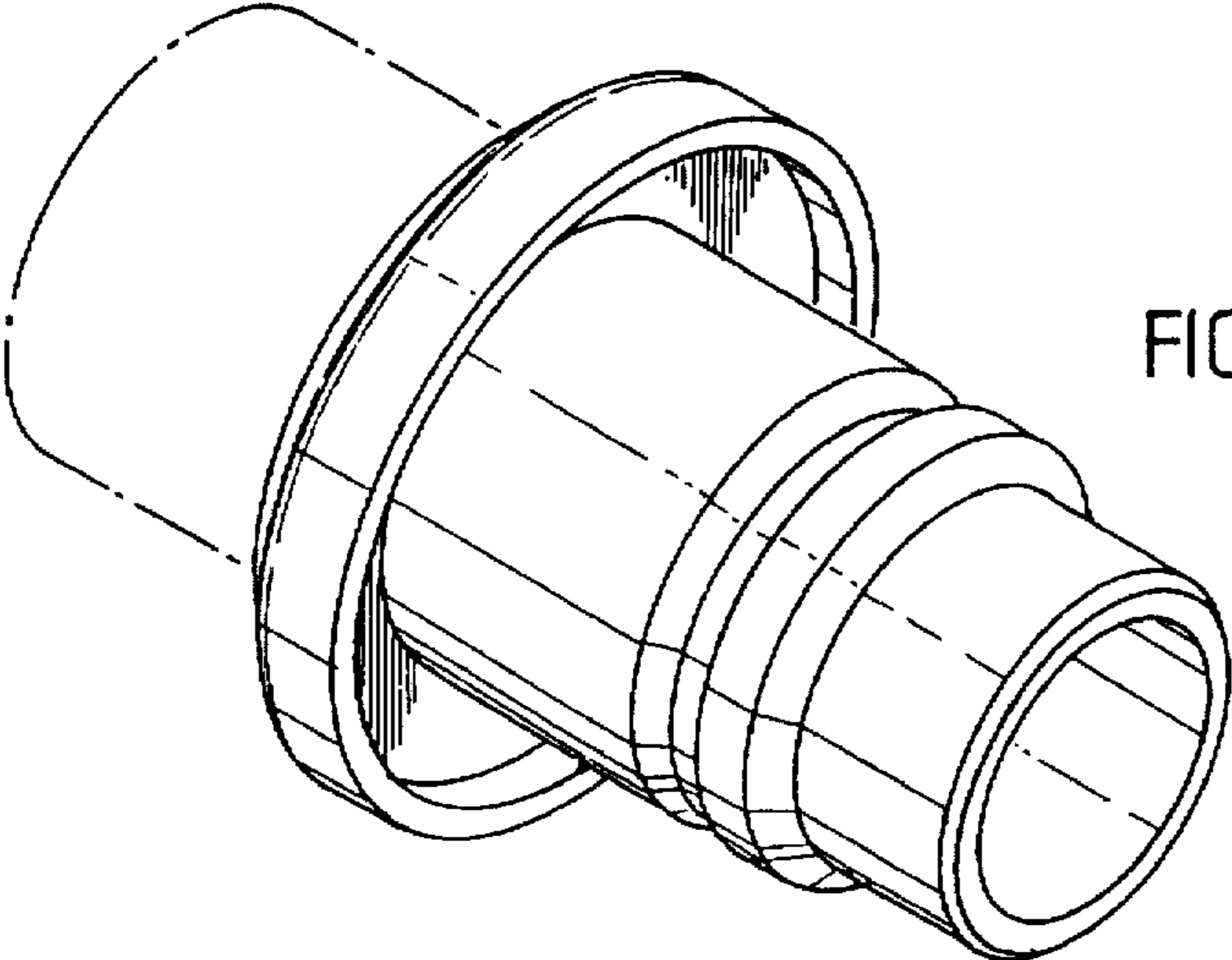


FIG 4