



US00D387142S

United States Patent [19]

[11] Patent Number: **Des. 387,142**

Genesse

[45] Date of Patent: ****Dec. 2, 1997**

[54] **AUTOMATIC TOILET LID AND SEAT CLOSER**

4,839,928 6/1989 Probasa 4/246.1
5,592,700 1/1997 Genesse 4/246.1

[76] Inventor: **Bryan V. Genesse**, 11915 Louise Ave.,
Granada Hills, Calif. 91344

Primary Examiner—Louis S. Zarfes
Assistant Examiner—Eric Watterson
Attorney, Agent, or Firm—Albert O. Cota

[**] Term: **14 Years**

[57] **CLAIM**

[21] Appl. No.: **62,356**

The ornamental design for an automatic toilet lid and seat closer, as shown and described.

[22] Filed: **Nov. 13, 1996**

DESCRIPTION

[51] LOC (6) Cl. **23-02**

FIG. 1 is a perspective view of an automatic toilet lid and seat closer, showing my new design, the broken line showing of the toilet tank is for illustrative purposes only and forms no part of the claimed design;

[52] U.S. Cl. **D23/303; D8/308; D23/313**

FIG. 2 is a top plan view thereof;

[58] **Field of Search** D23/303, 309,
D23/311, 313; 16/110 R, 118, 121, 123,
125; D8/308, 309; 4/408, 409, 249, 250,
246.1, 248, 661, 324

FIG. 3 is a bottom plan view thereof;

FIG. 4 is a front elevational view thereof;

[56] **References Cited**

FIG. 5 is a rear elevational plan view thereof;

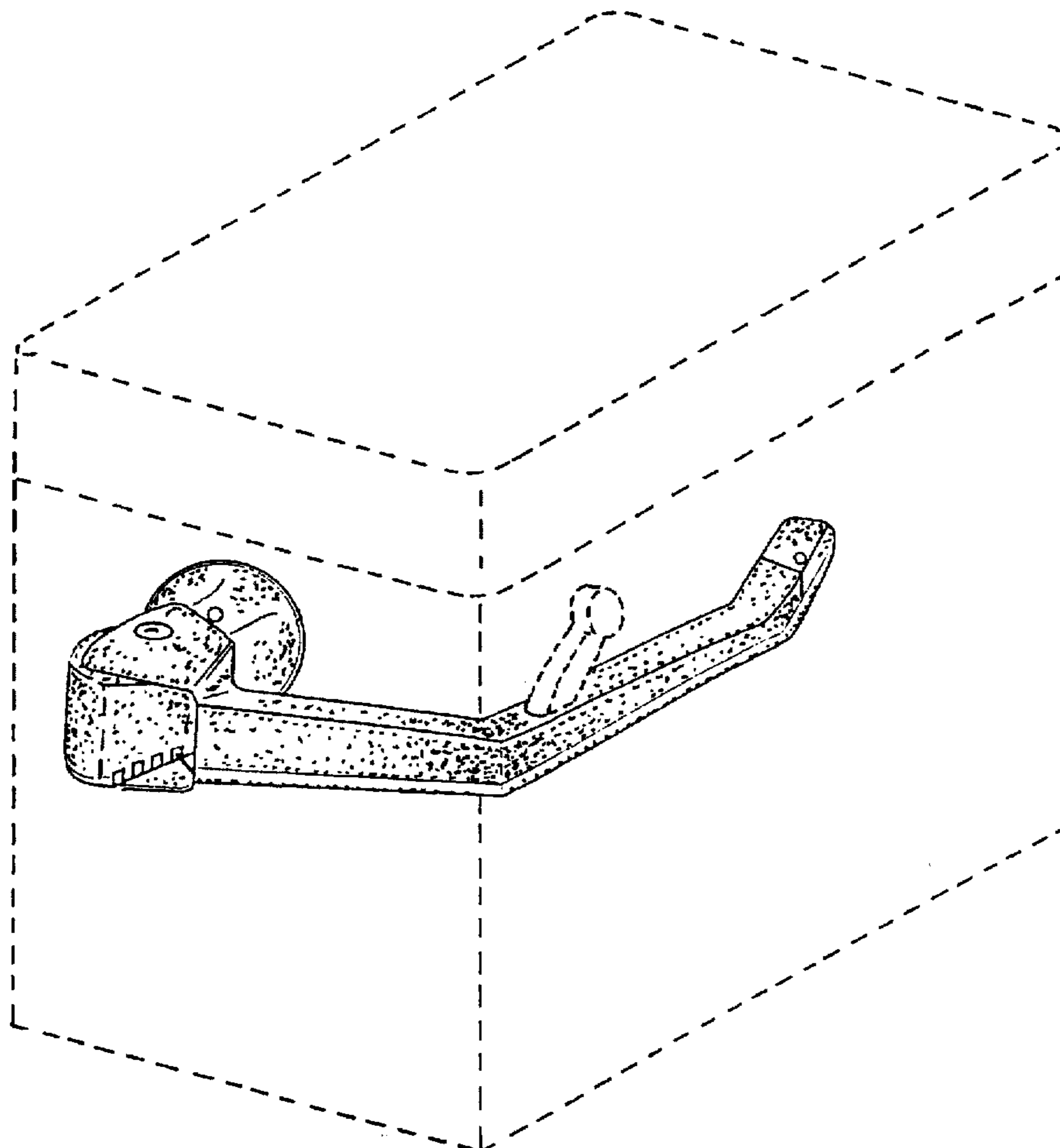
U.S. PATENT DOCUMENTS

FIG. 6 is a right side elevational view thereof; and,

FIG. 7 is a left side elevational view thereof.

D. 372,965 8/1996 Villeneuve D23/311
3,579,664 5/1971 Johnson 4/250

1 Claim, 4 Drawing Sheets



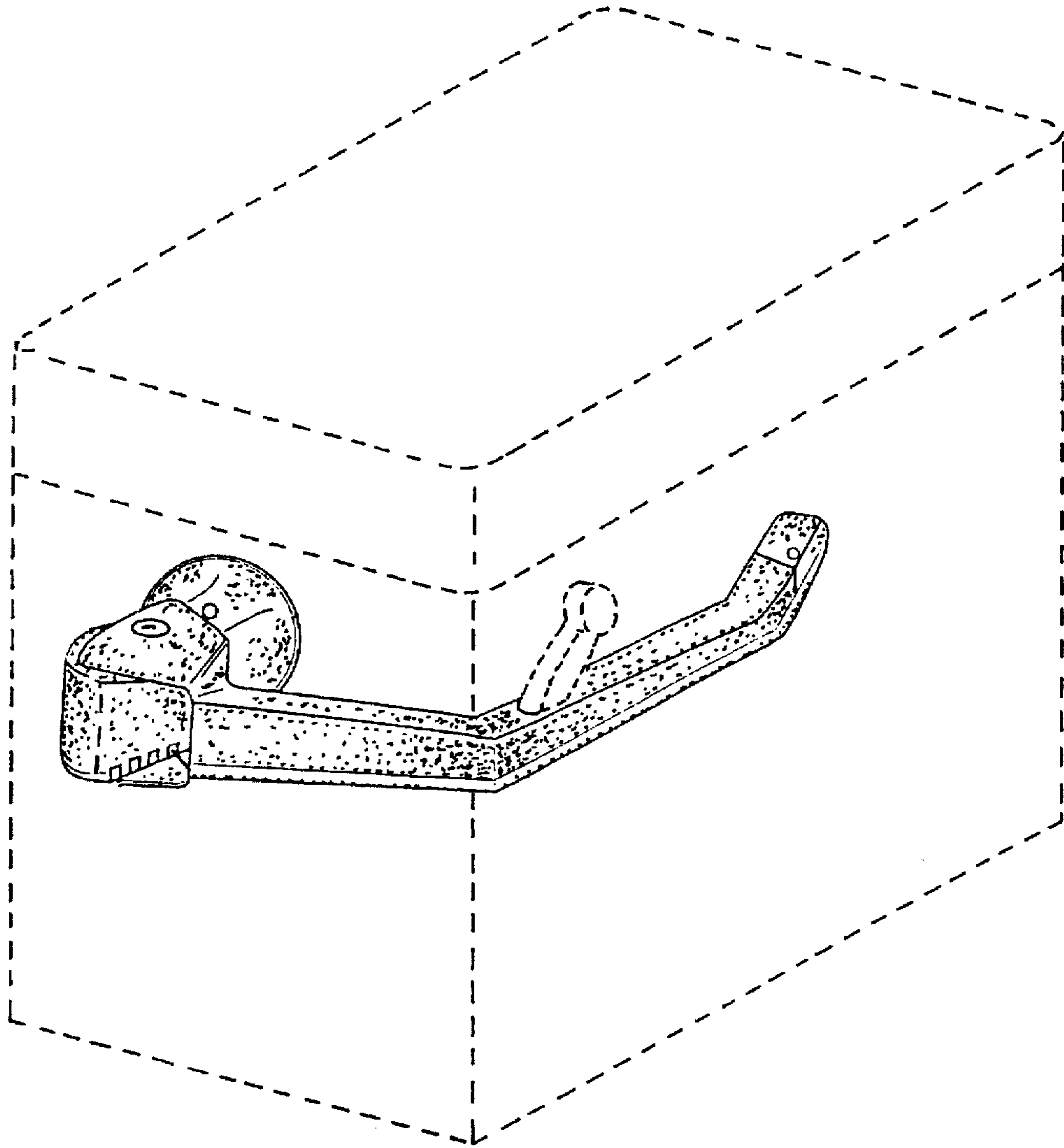


Fig.1

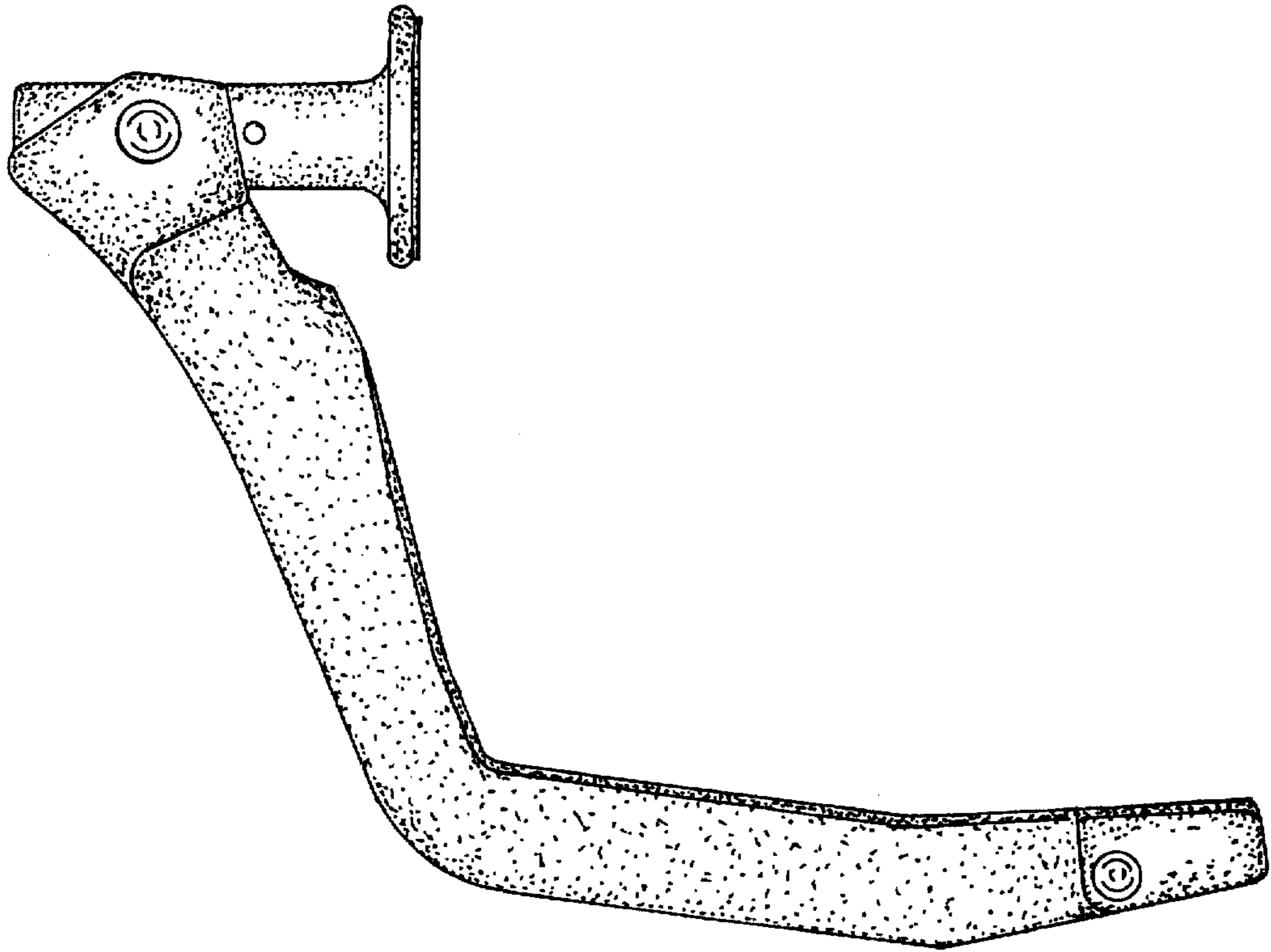


Fig. 2

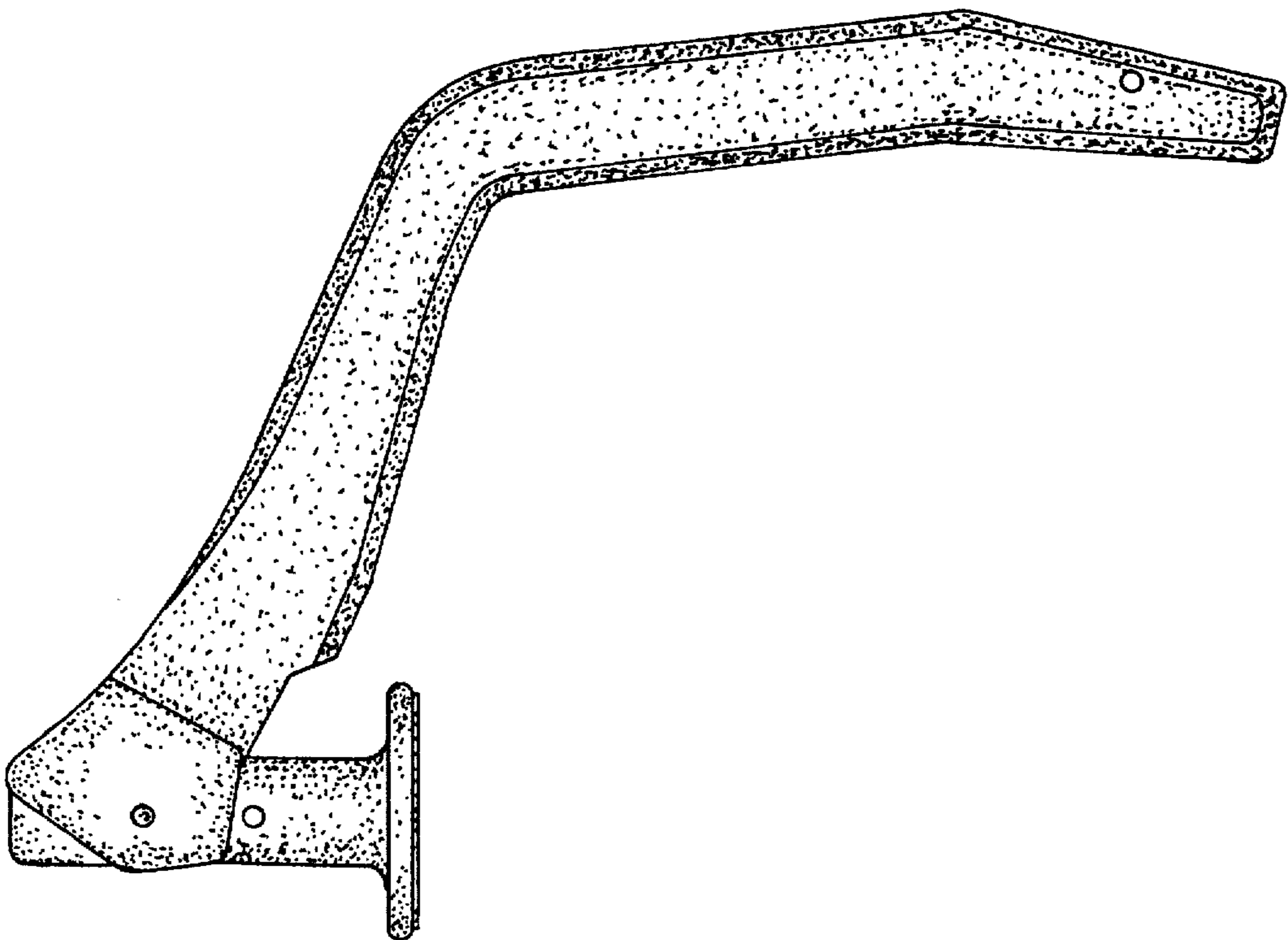


Fig. 3

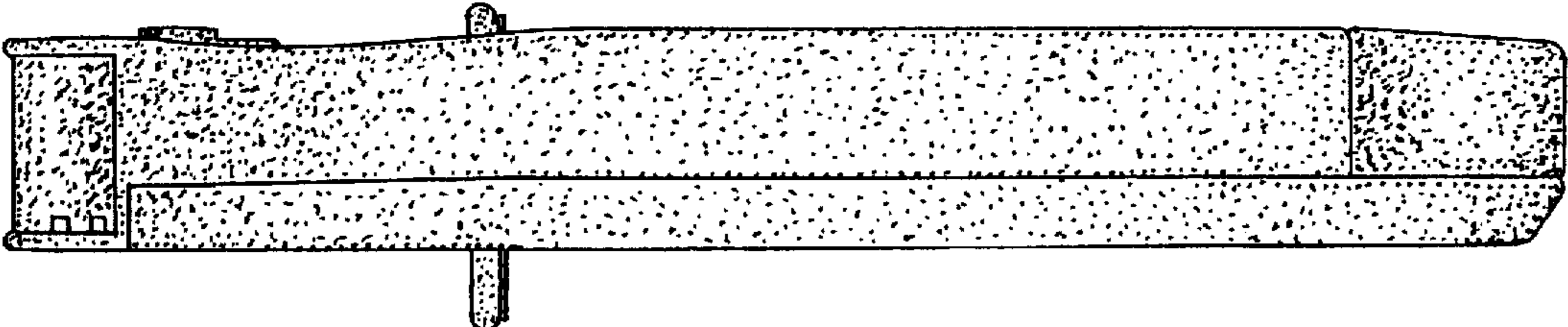


Fig. 4

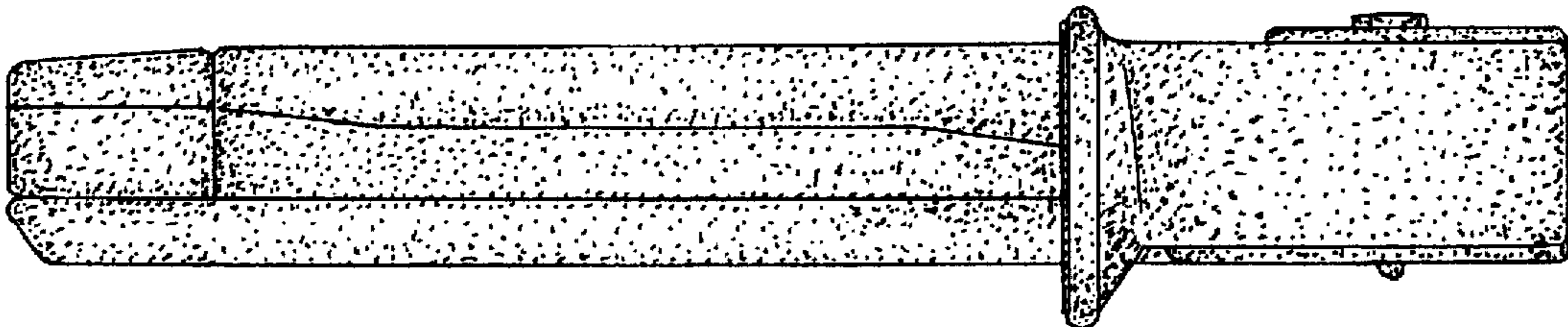


Fig. 5

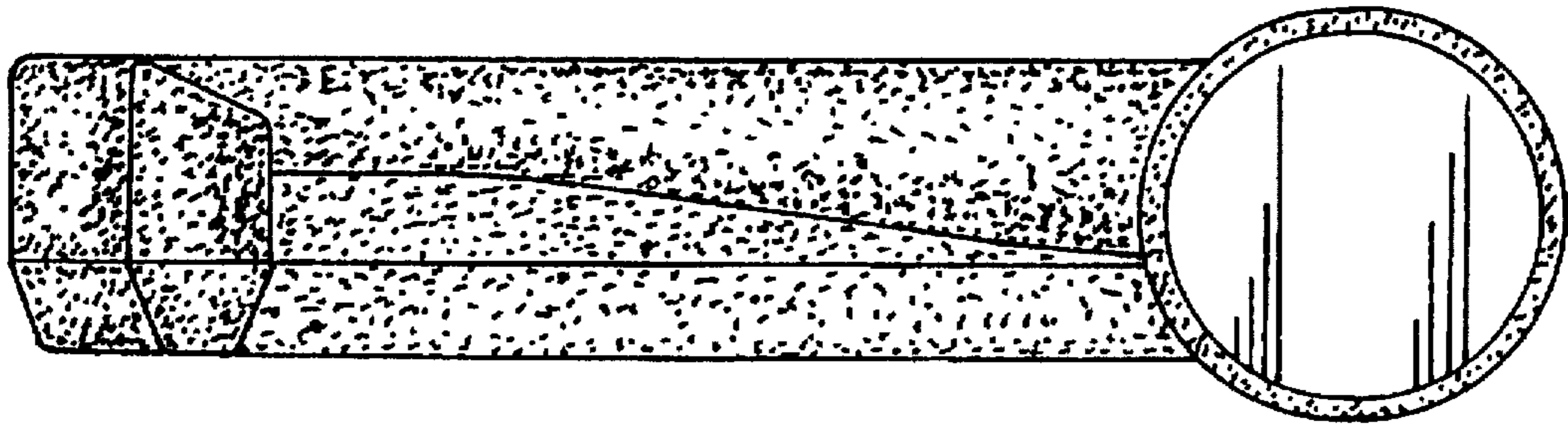


Fig. 6

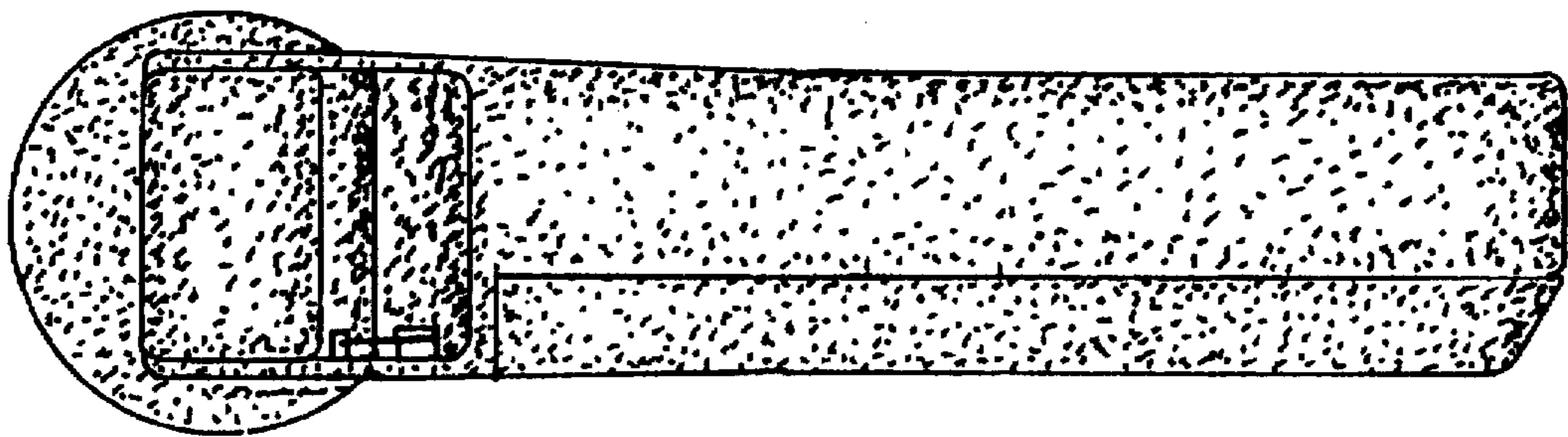


Fig. 7