



US00D387141S

United States Patent [19]
Vargas Salas

[11] **Patent Number: Des. 387,141**
[45] **Date of Patent: **Dec. 2, 1997**

[54] **COMMODE SEAT LIFTING PEDAL**
[76] **Inventor: Jorge A. Vargas Salas, 5504 Garry Owen St., El Paso, Tex. 79903**
[**] **Term: 14 Years**
[21] **Appl. No.: 59,805**
[22] **Filed: Sep. 16, 1996**
[51] **LOC (6) Cl. 23-02**
[52] **U.S. Cl. D23/303; D23/311**
[58] **Field of Search D23/303, 339, D23/313; D8/307, 300; 4/246.1, 246.3, 661**

5,323,496 6/1994 Blair 4/246.3
5,404,595 4/1995 Carmel 4/246.7
5,487,192 1/1996 Hodges 4/246.3
5,488,743 2/1996 Alfonso .

Primary Examiner—Stella Reid
Assistant Examiner—Eric Watterson

[57] **CLAIM**

The ornamental design for the commode seat lifting pedal, as shown and described.

DESCRIPTION

FIG. 1 is a perspective view of the commode seat lifting pedal showing my new design;
FIG. 2 is a left side elevational view showing my design, the broken lines showing of a commode and lid therefor are for illustrative purposes only and forms no part of the claimed design;
FIG. 3 is a right side elevational view thereof;
FIG. 4 is a front elevational view thereof;
FIG. 5 is a rear elevational view thereof;
FIG. 6 is a top plan view thereof; and,
FIG. 7 is a bottom plan view thereof.

[56] **References Cited**

U.S. PATENT DOCUMENTS

D. 349,952 8/1994 Evans et al. D23/309
621,790 3/1899 Williams et al. 4/246.3
1,287,113 12/1918 Sager 4/249
1,792,811 2/1931 Bustin .
2,155,548 4/1939 Hompesch .
2,776,440 1/1957 Miller .
3,417,411 12/1968 Greenwood 4/246.3
4,150,446 4/1979 Crocker .

1 Claim, 3 Drawing Sheets

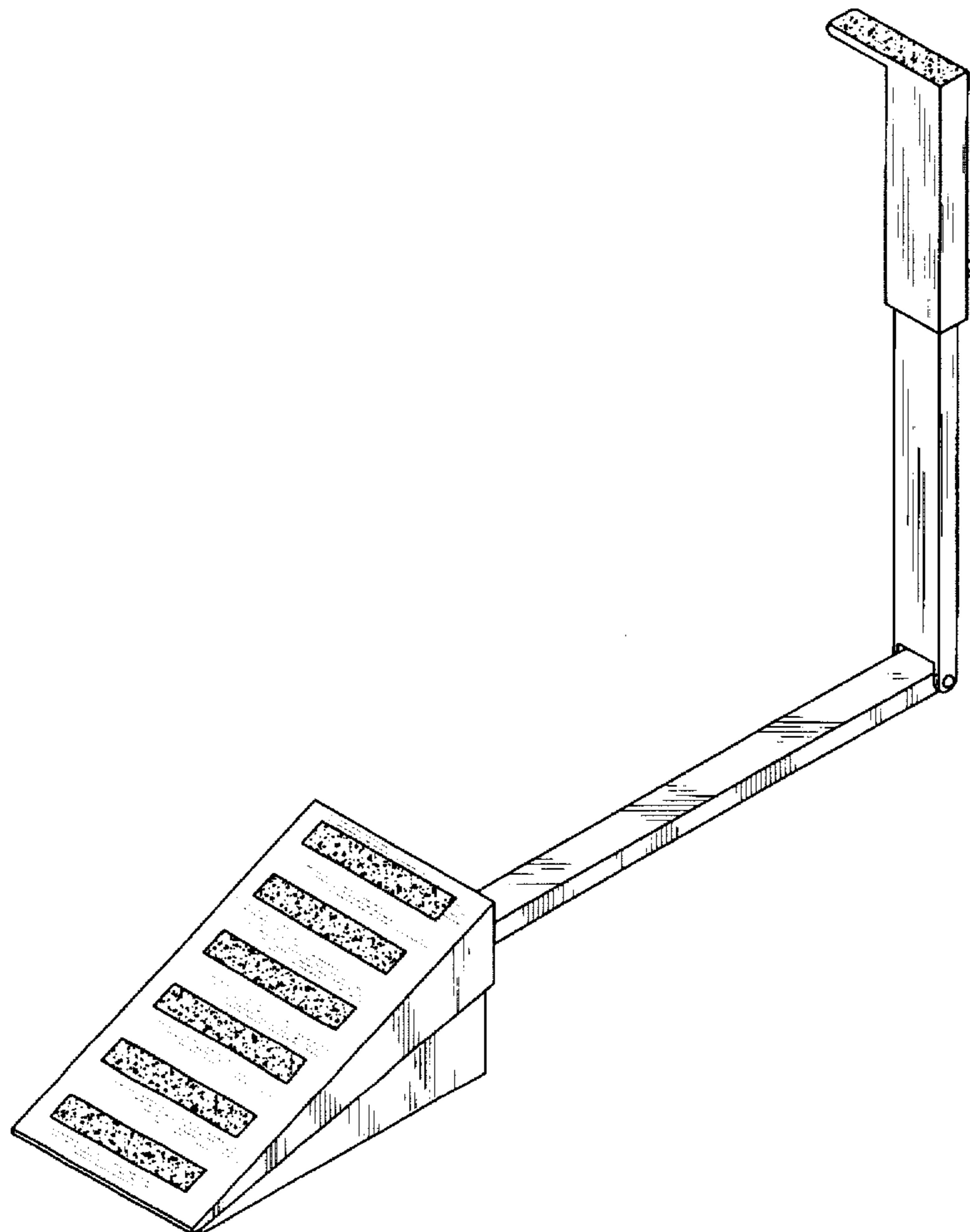


FIG. 1

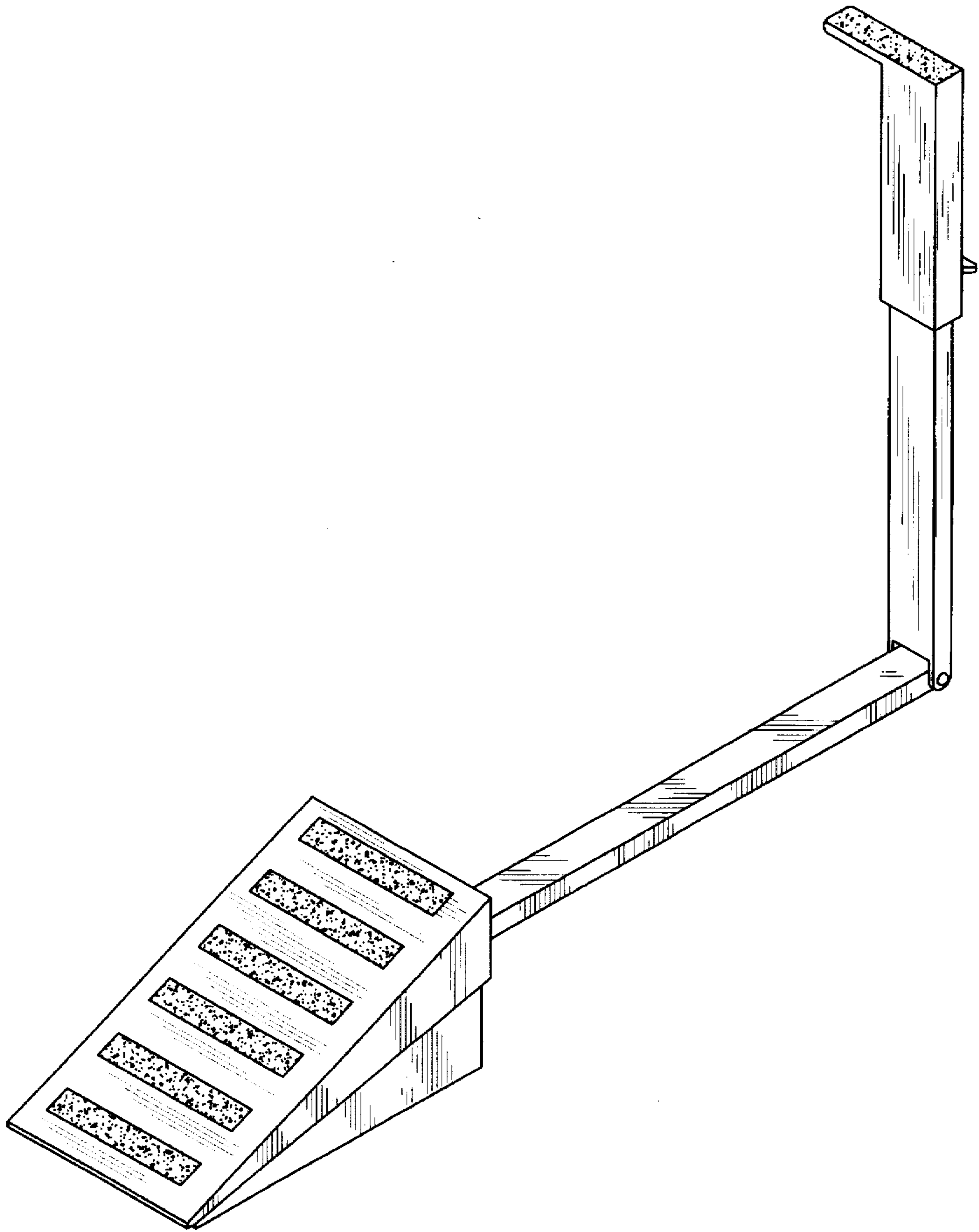


FIG. 2

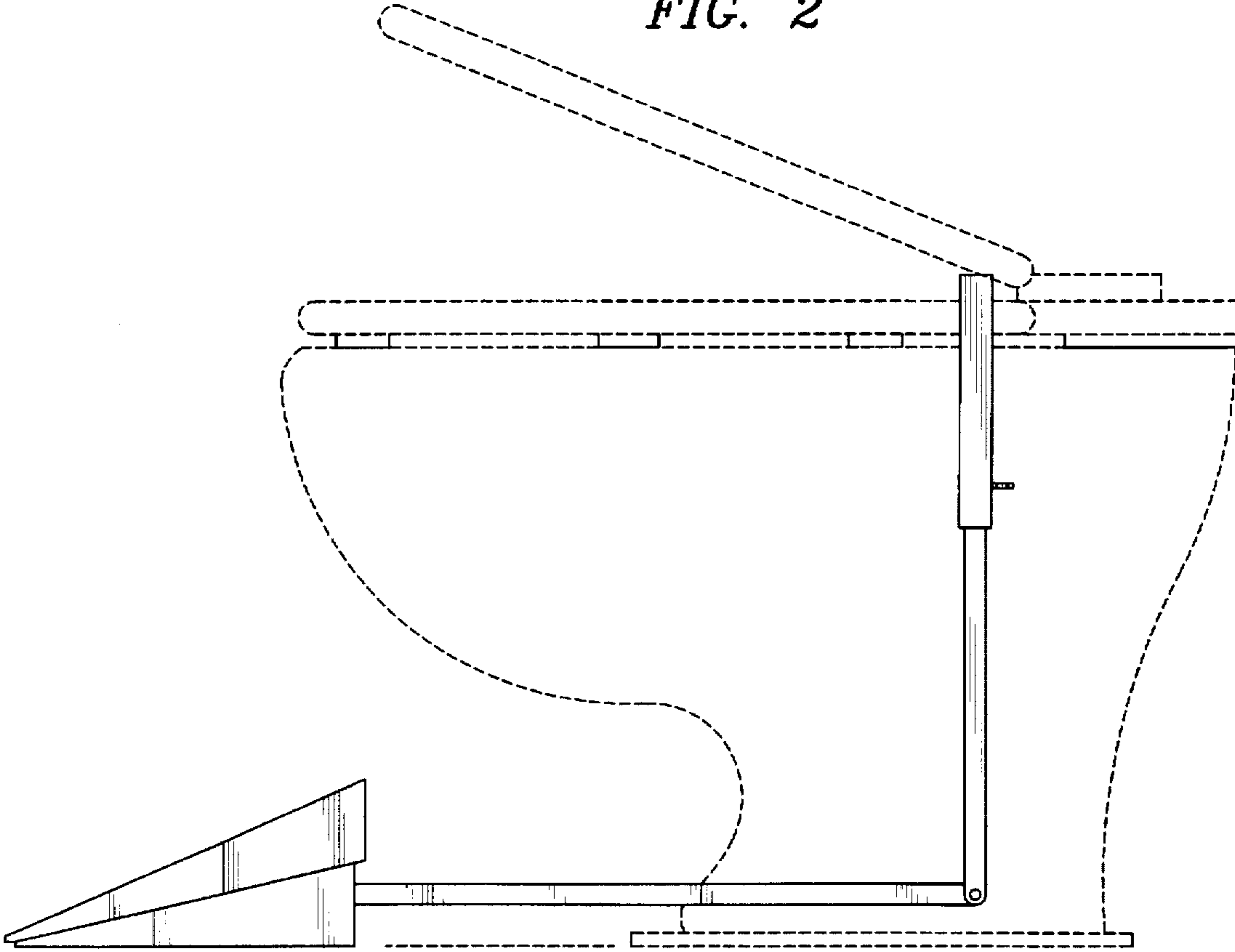


FIG. 3

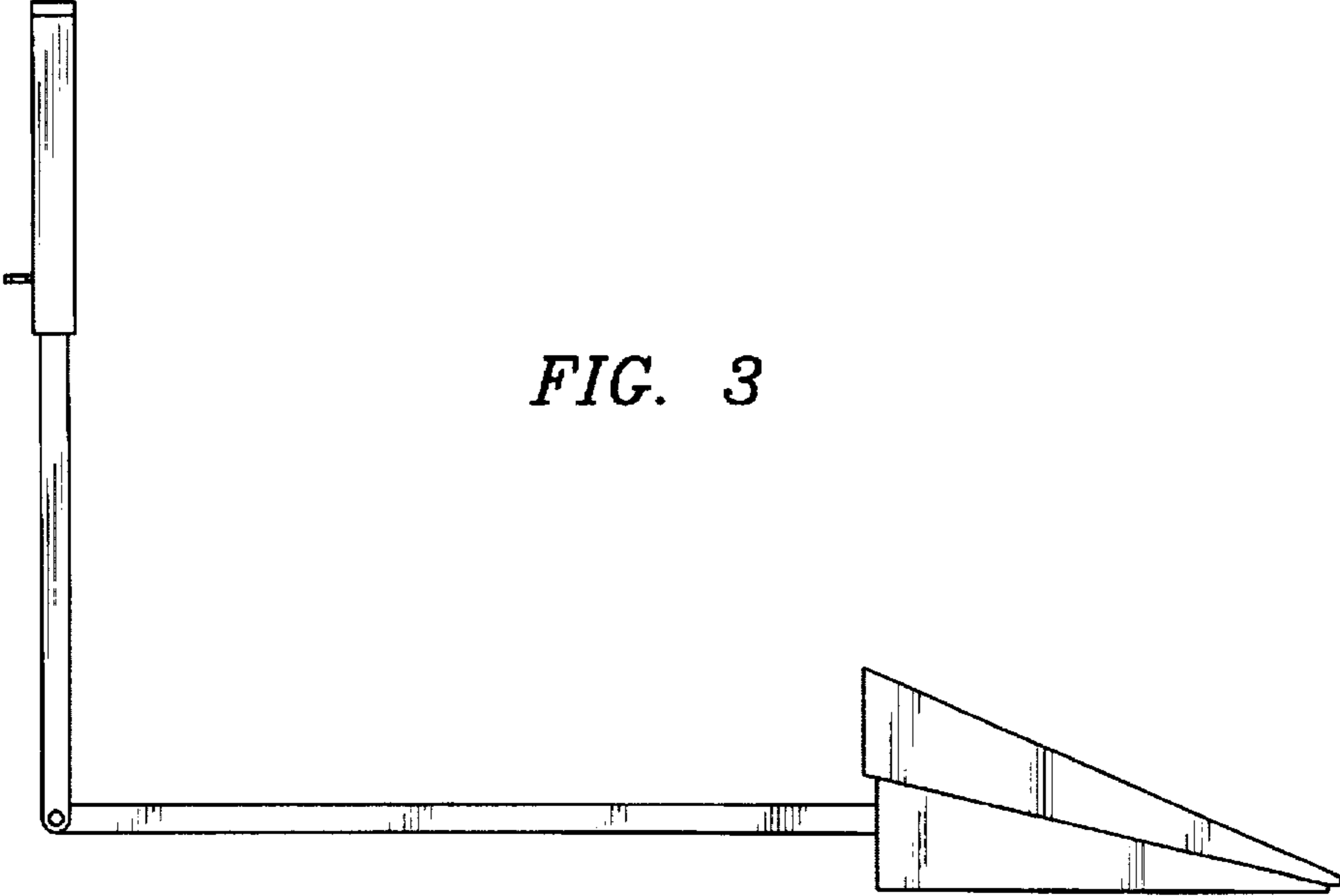


FIG. 4

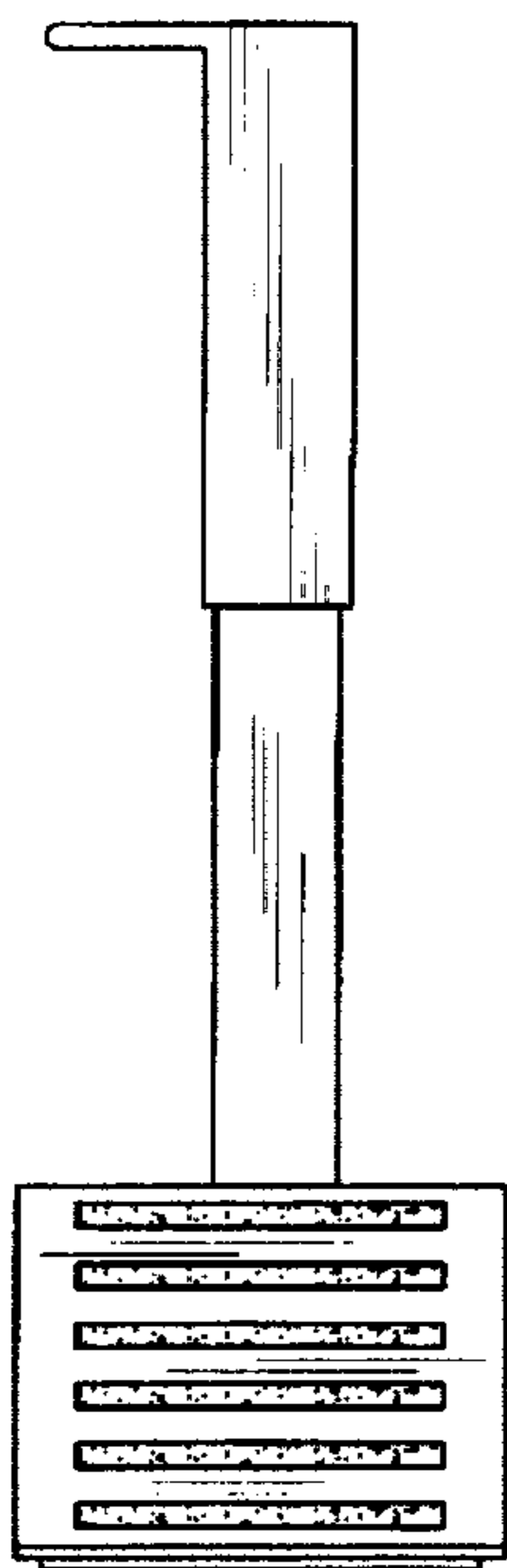


FIG. 5

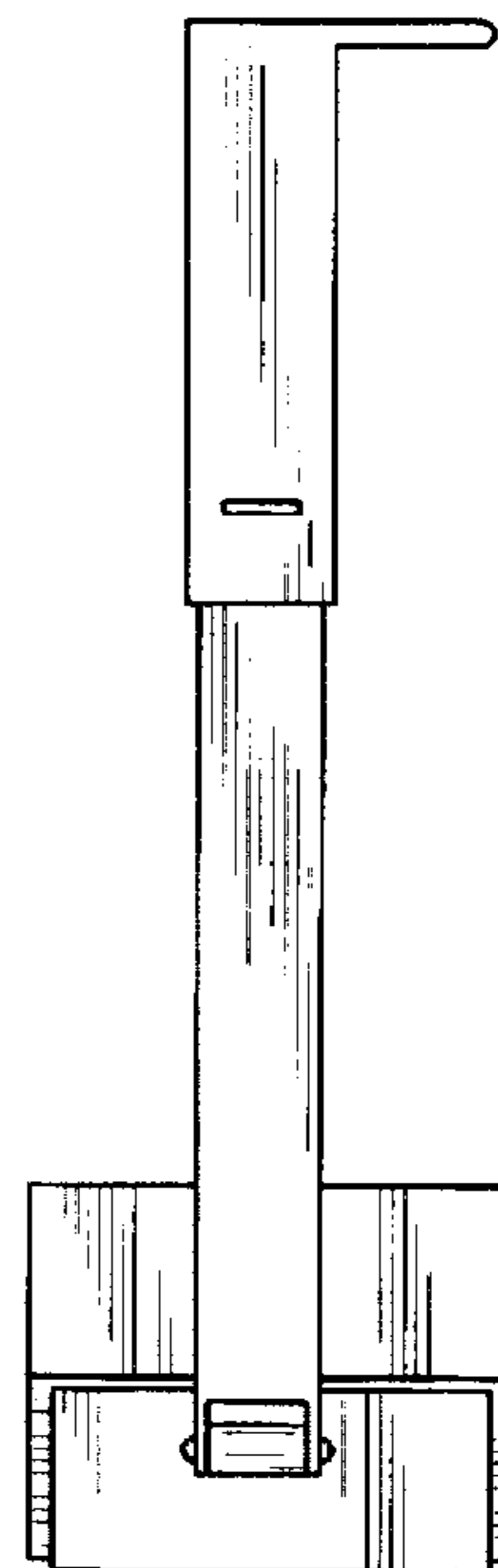


FIG. 6

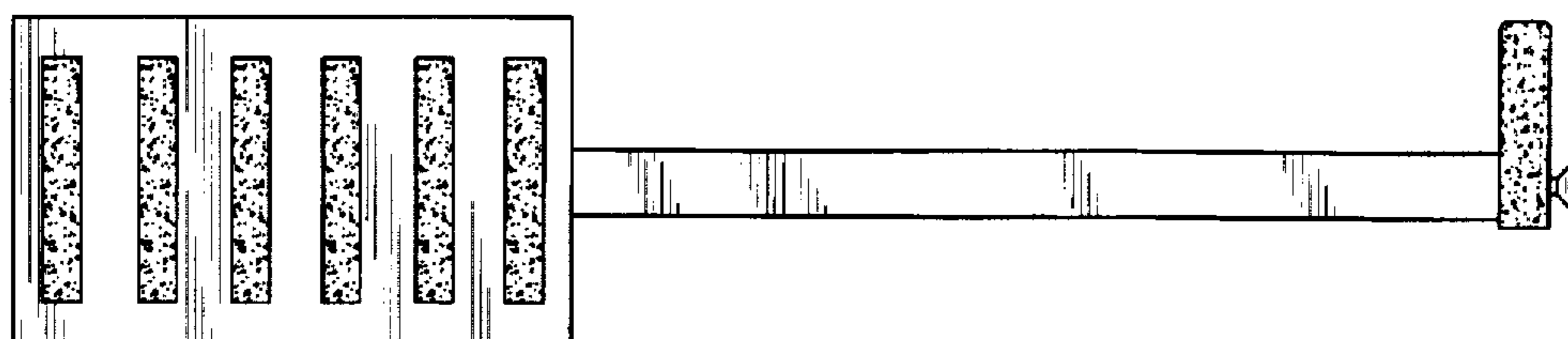


FIG. 7

