



US00D387140S

United States Patent [19]

[11] Patent Number: **Des. 387,140**

Laguera Garza

[45] Date of Patent: ****Dec. 2, 1997**

[54] **BIDET**

- D. 268,779 4/1983 Doman D23/295
- D. 272,382 1/1984 Bengtson D23/295
- D. 288,588 3/1987 Stairs, Jr. D23/295
- D. 332,137 12/1992 Kohler, Jr. et al. D23/295

[75] Inventor: **Marcelo Garza Laguera Garza,**
Irapuato, Mexico

[73] Assignee: **Procesadora de Ceramica de Mexico**
S.A. de C.V., Mexico

Primary Examiner—Stella Reid
Assistant Examiner—Eric Watterson
Attorney, Agent, or Firm—Pravel, Hewitt, Kimball &
Krieger

[**] Term: **14 Years**

[21] Appl. No.: **58,470**

[57] CLAIM

[22] Filed: **Aug. 15, 1996**

The ornamental design for a bidet, as shown.

[30] Foreign Application Priority Data

DESCRIPTION

Feb. 15, 1932 [MX] Mexico 96132

FIG. 1 is an isometric view showing the ornamental design for a bidet according to the present invention;

[51] LOC (6) CL. **23-02**

FIG. 2 is a top plan view of the bidet of FIG. 1;

[52] U.S. Cl. **D23/295**

FIG. 3 is a front elevation view of the bidet of FIG. 1;

[58] Field of Search D23/295-302,
D23/309-313, 300, 329-332, 353, 354,
363-365, 420, 420.1-420.5, 443-448

FIG. 4 is a left side elevation view of the bidet of FIG. 1;

FIG. 5 is a right side elevation view of the bidet of FIG. 1;

FIG. 6 is a bottom view of the bidet of FIG. 1; and,

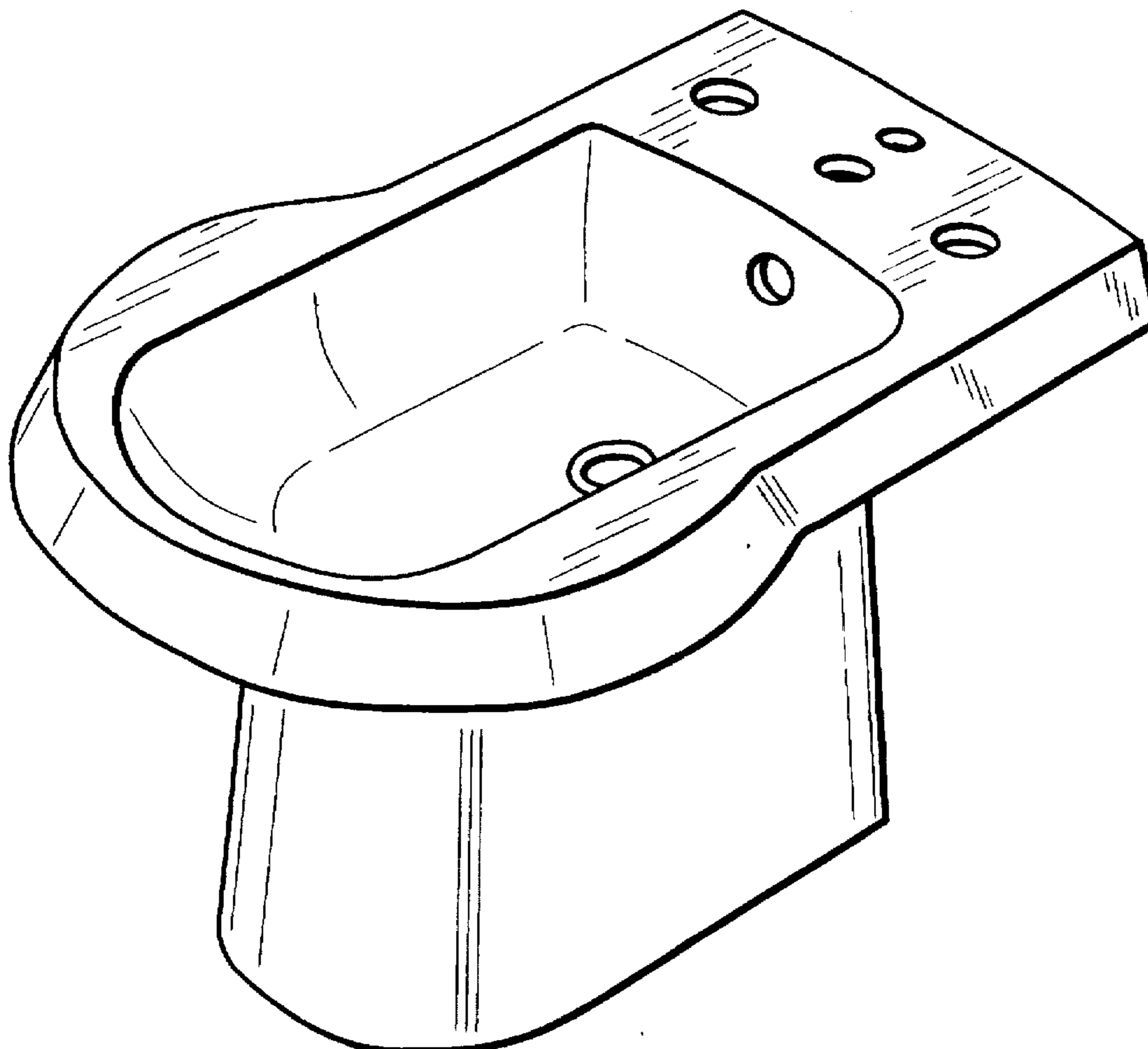
FIG. 7 is a rear elevation view of the bidet of FIG. 1.

[56] References Cited

U.S. PATENT DOCUMENTS

D. 256,609 8/1980 Primault D23/295

1 Claim, 2 Drawing Sheets



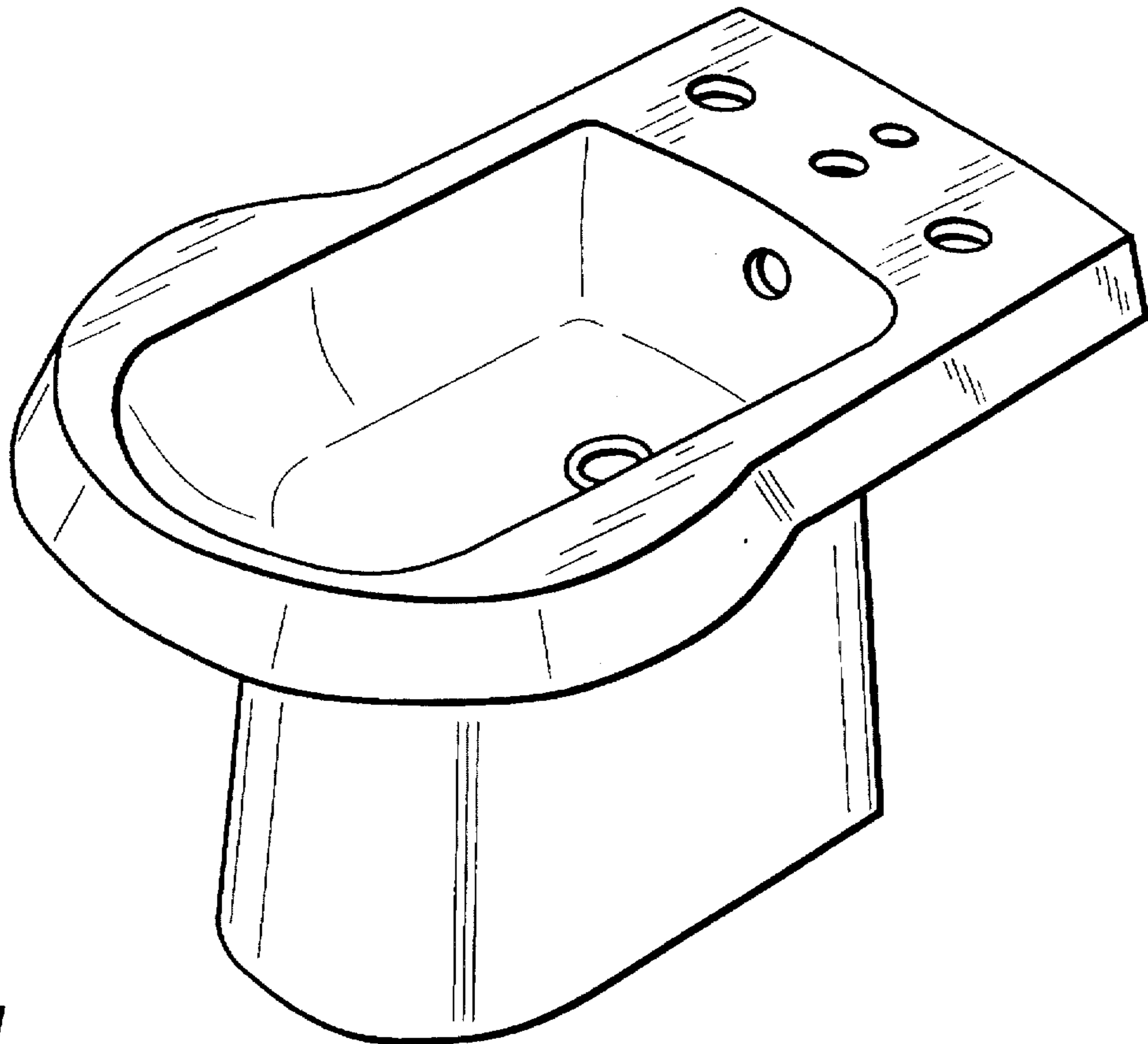


FIG. 1

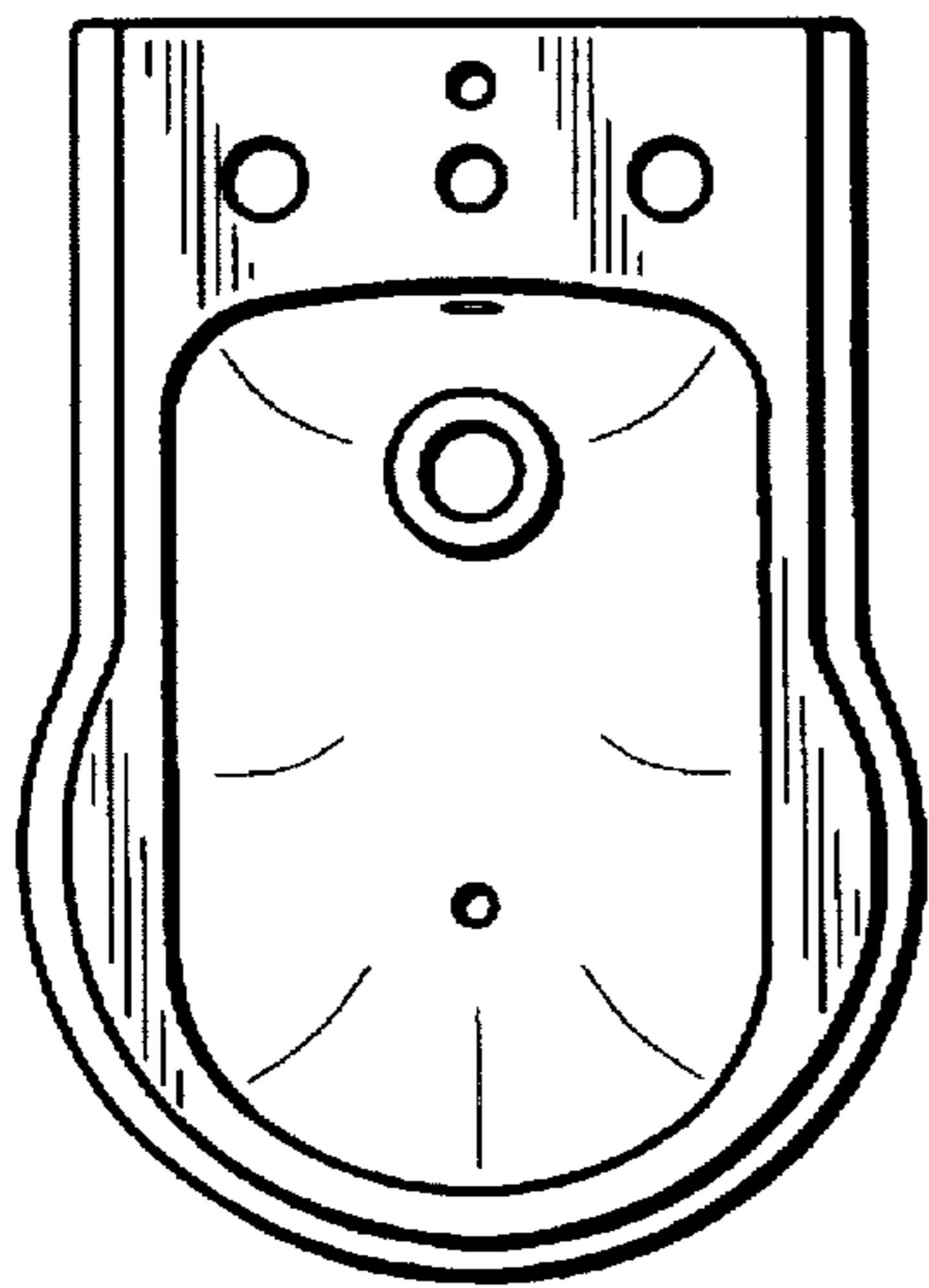


FIG. 2

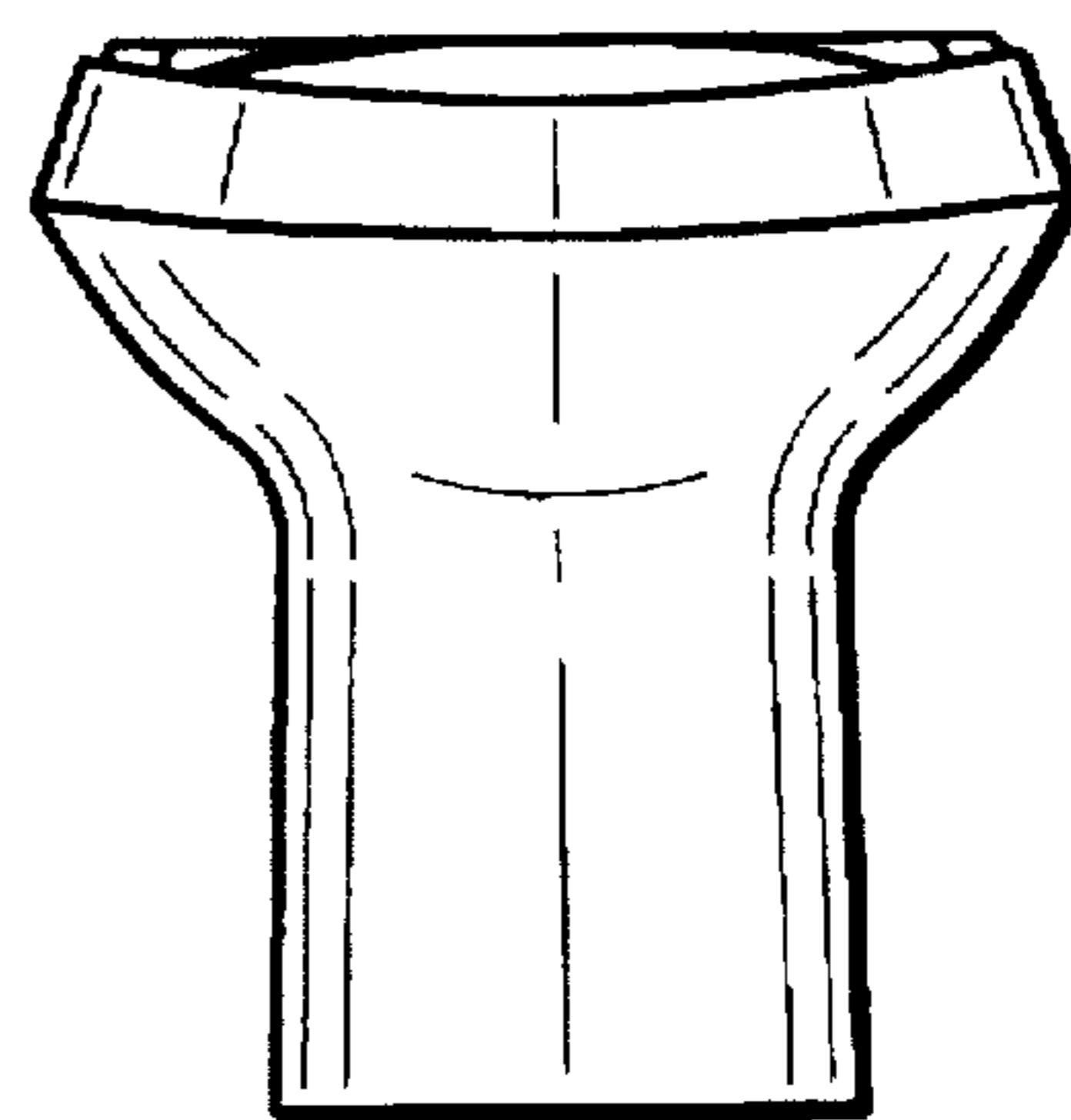


FIG. 3

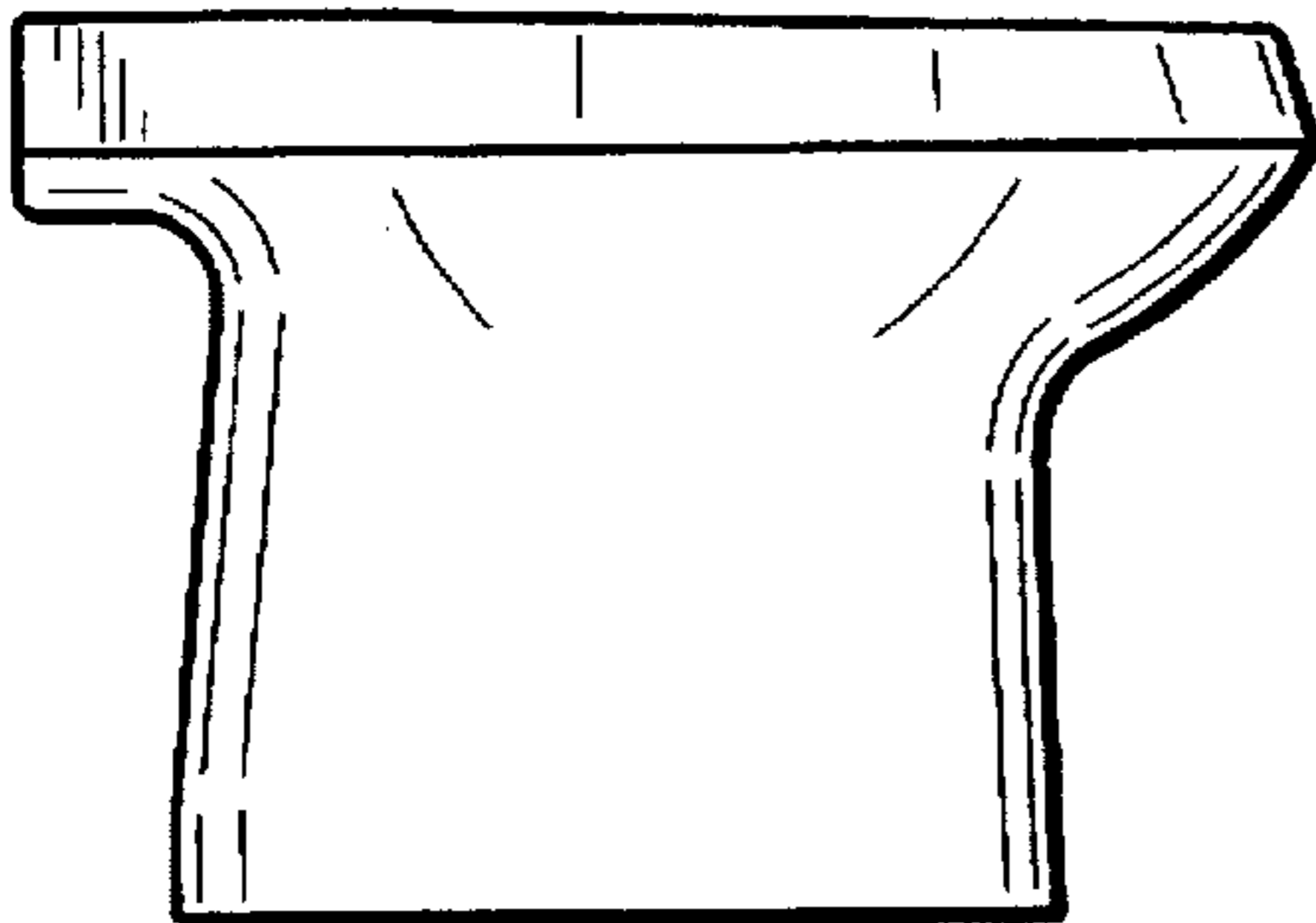


FIG. 4

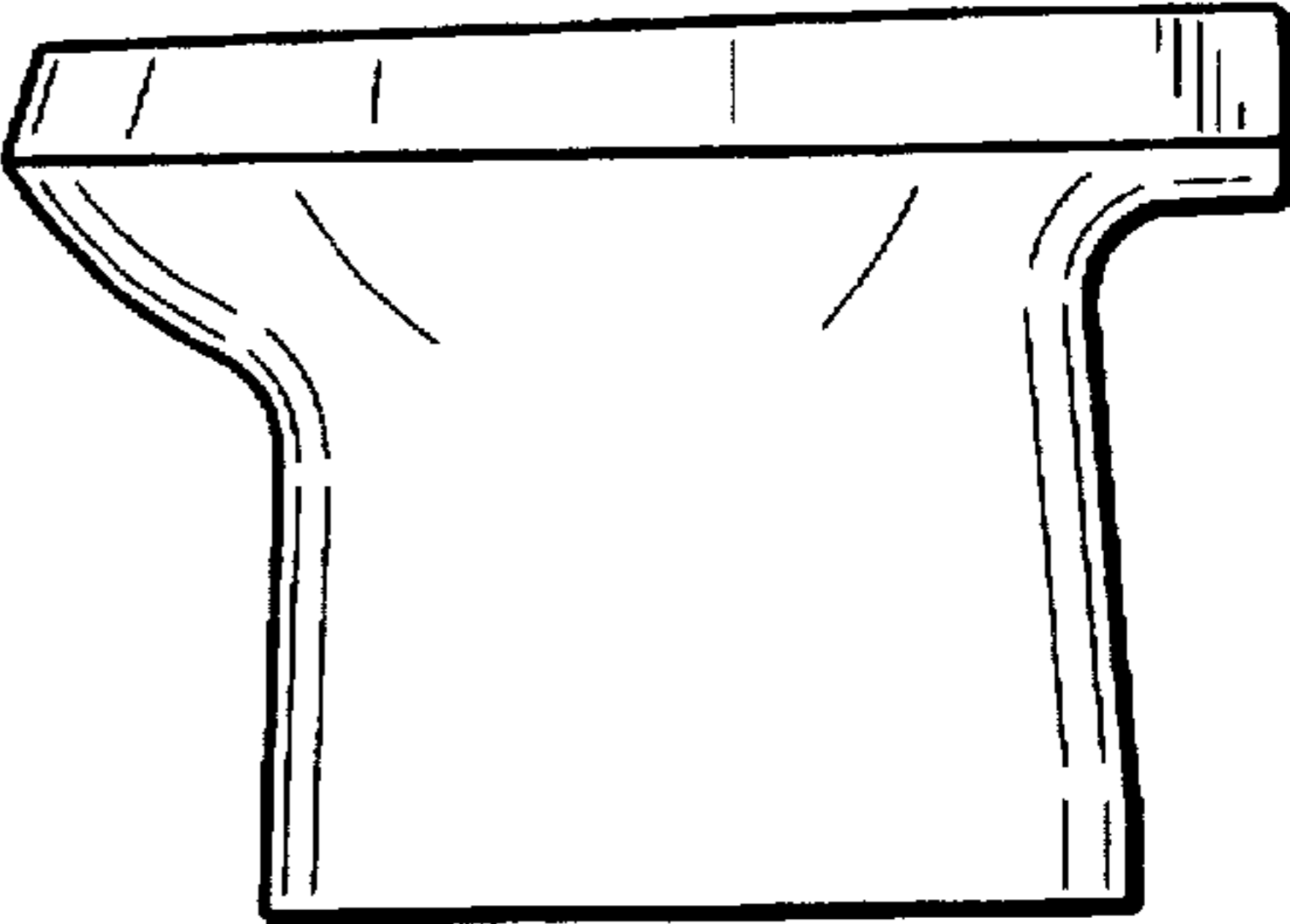


FIG. 5

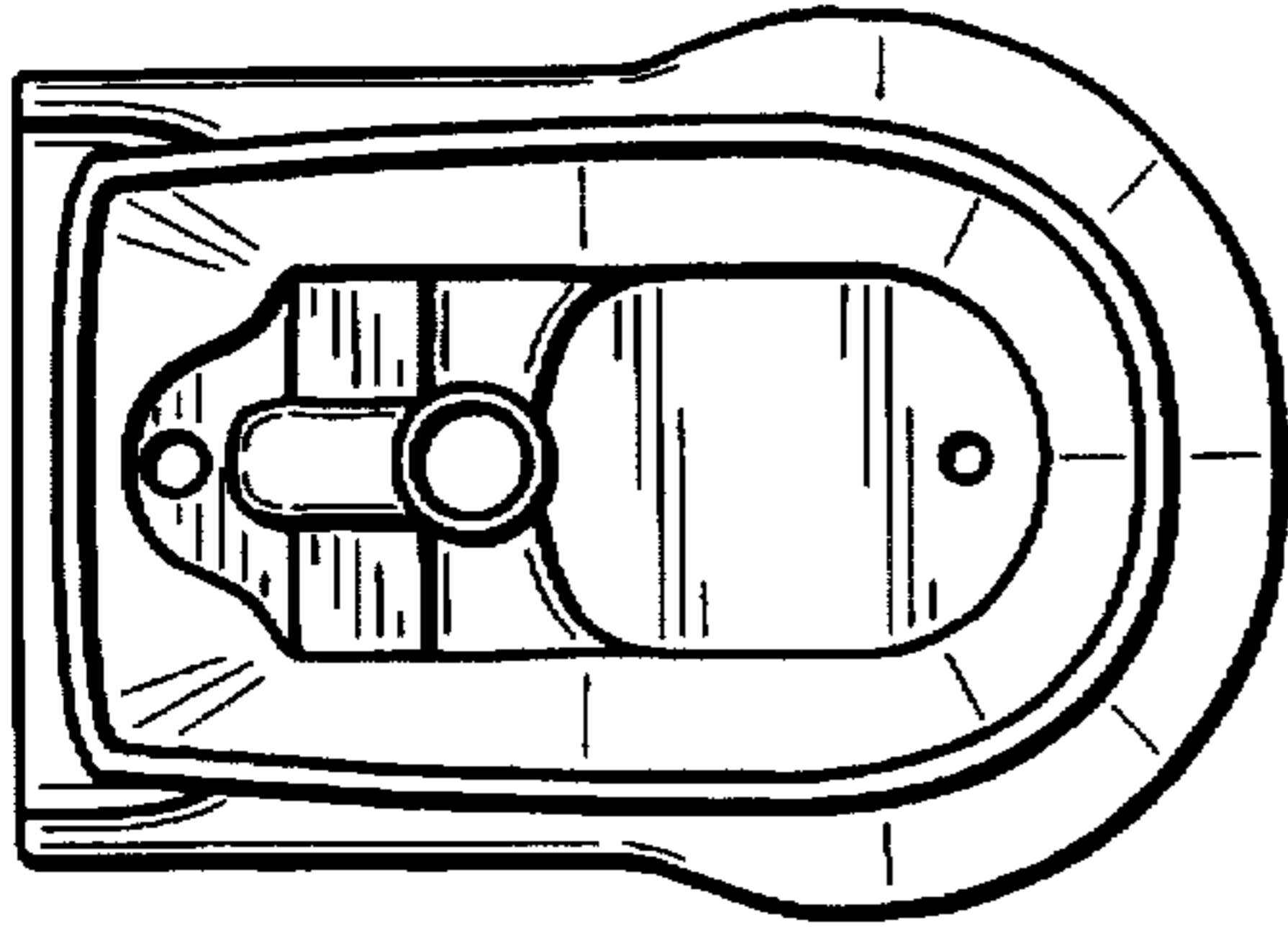


FIG. 6

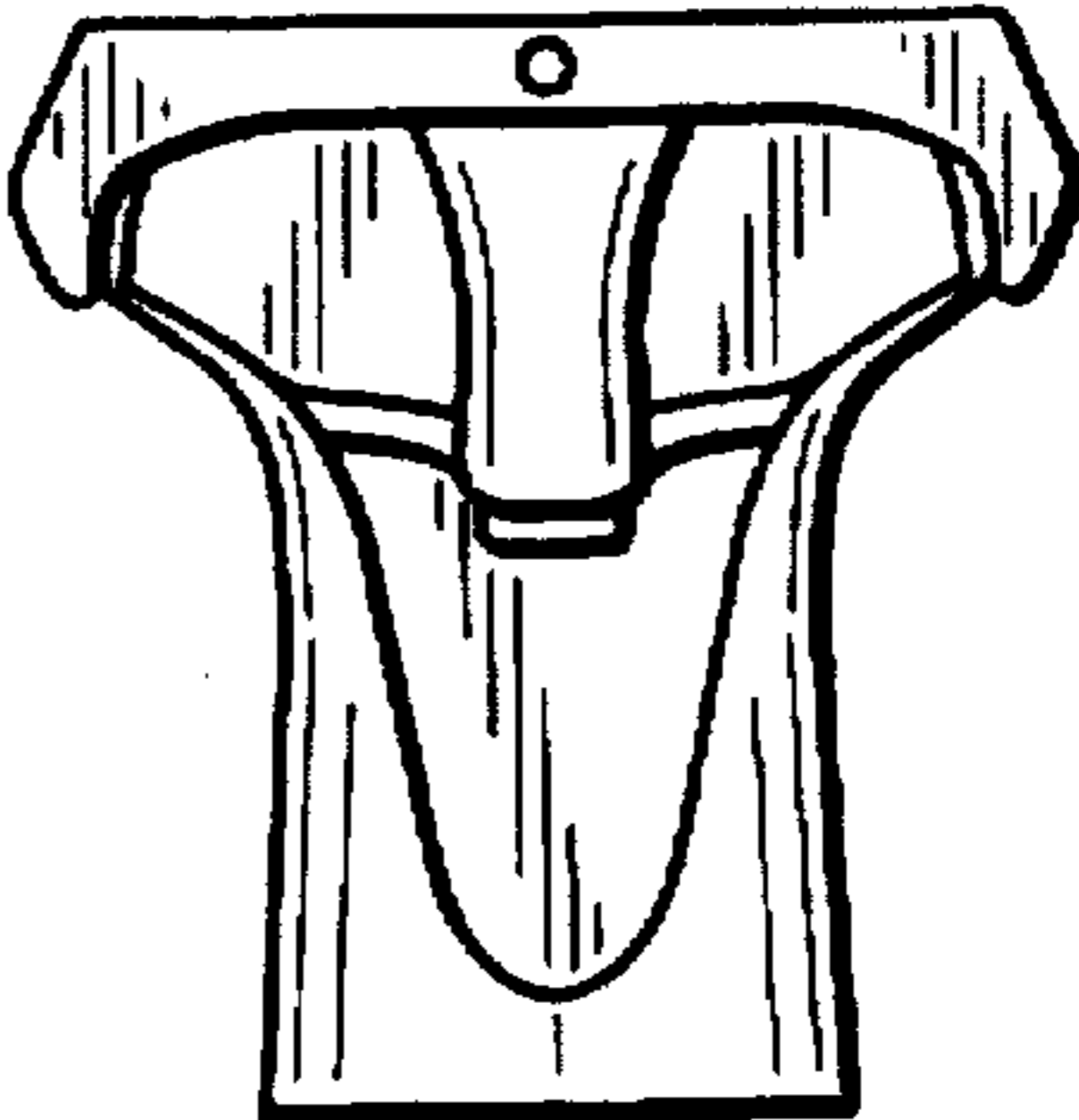


FIG. 7