

US00D387139S

# United States Patent [19]

[11] Patent Number: **Des. 387,139**

**Sim**

[45] Date of Patent: **\*\*Dec. 2, 1997**

[54] **TOILET FOR A RECREATIONAL VEHICLE**

[76] Inventor: **Jae K. Sim**, 1650 W. 130th St., Unit 1,  
Gardena, Calif. 90249

[\*\*] Term: **14 Years**

[21] Appl. No.: **54,561**

[22] Filed: **May 15, 1996**

[51] LOC (6) Cl. .... **23-02**

[52] U.S. Cl. .... **D23/285**

[58] Field of Search ..... **D23/285; 4/222,  
4/438, 321, 213**

[56] **References Cited**

**U.S. PATENT DOCUMENTS**

4,262,372	4/1981	Ryder	4/222
5,031,249	7/1991	Sargent	4/321
5,060,320	10/1991	Sargent et al.	4/438
5,388,280	2/1995	Sim	4/213

*Primary Examiner*—Louis S. Zarfes  
*Assistant Examiner*—Eric Watterson  
*Attorney, Agent, or Firm*—Birch, Stewart, Kolasch & Birch,  
LLP

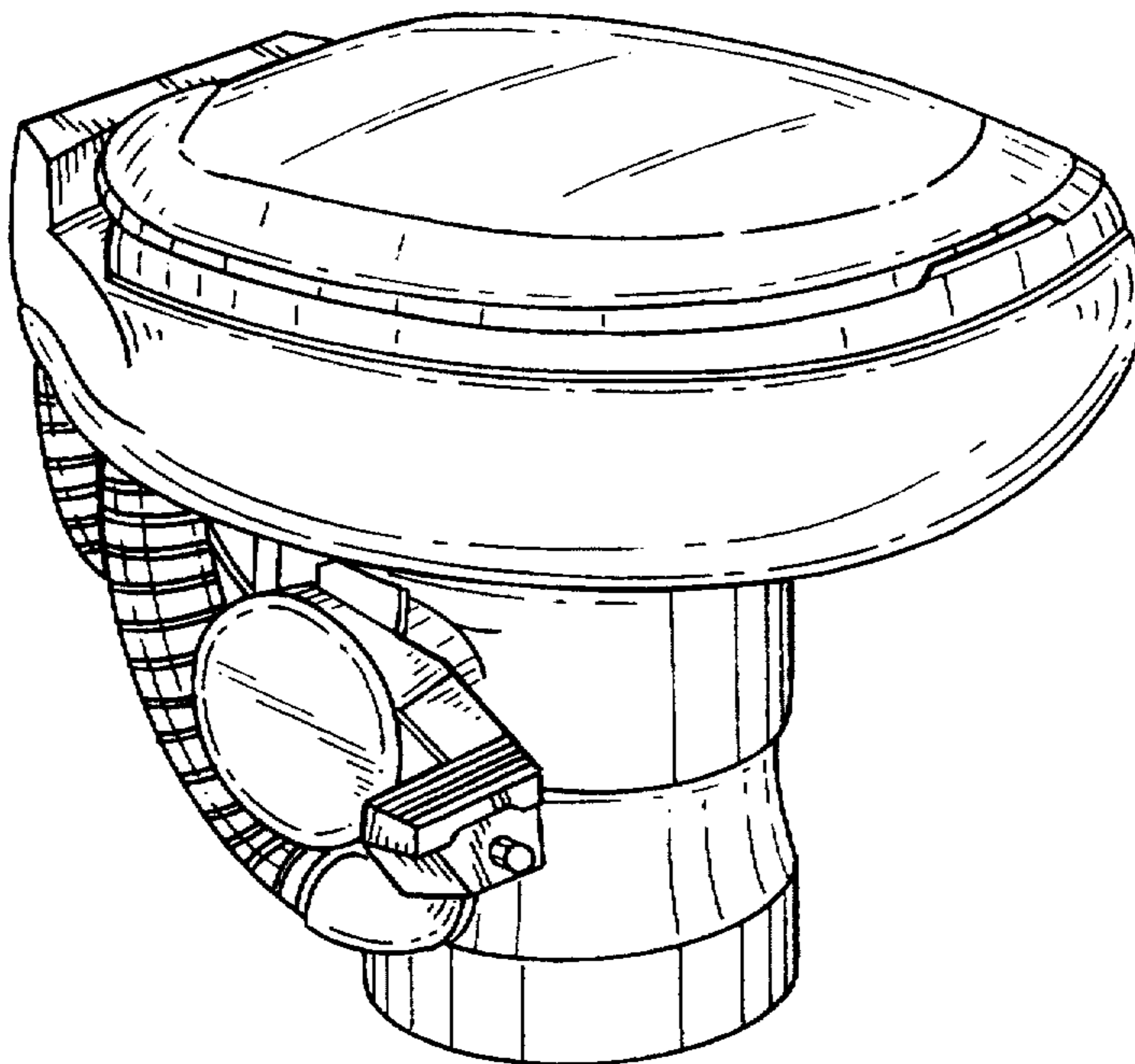
[57] **CLAIM**

The ornamental design for a toilet for a recreational vehicle,  
as shown.

**DESCRIPTION**

FIG. 1 is a perspective view of a toilet for a recreational  
vehicle showing my new design;  
FIG. 2 is a left side elevational view thereof;  
FIG. 3 is a right side elevational view thereof;  
FIG. 4 is a front elevational view thereof;  
FIG. 5 is a rear elevational view thereof;  
FIG. 6 is a top plan view thereof; and,  
FIG. 7 is a bottom plan view thereof.

**1 Claim, 2 Drawing Sheets**



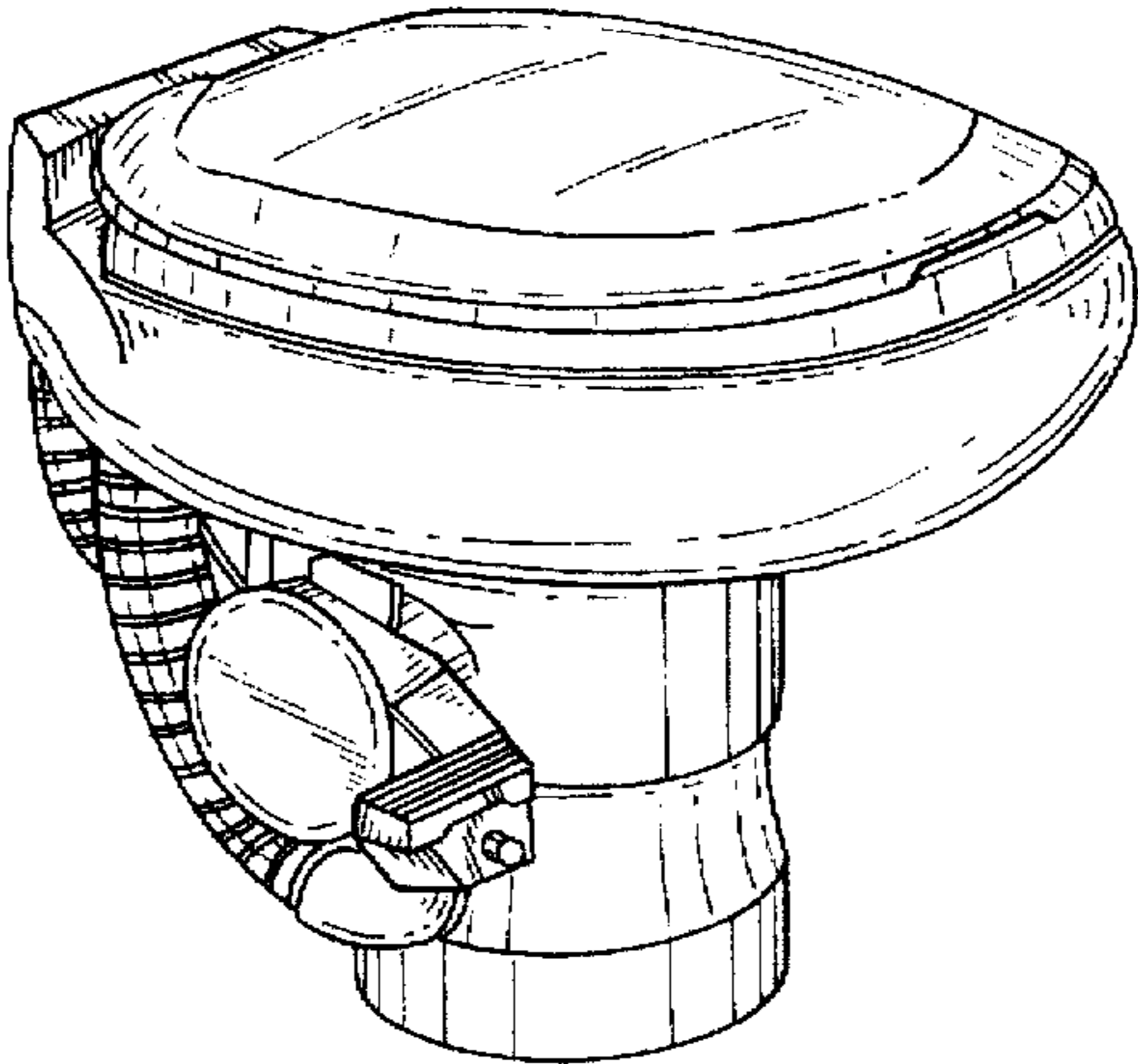


FIG. 1

FIG. 2

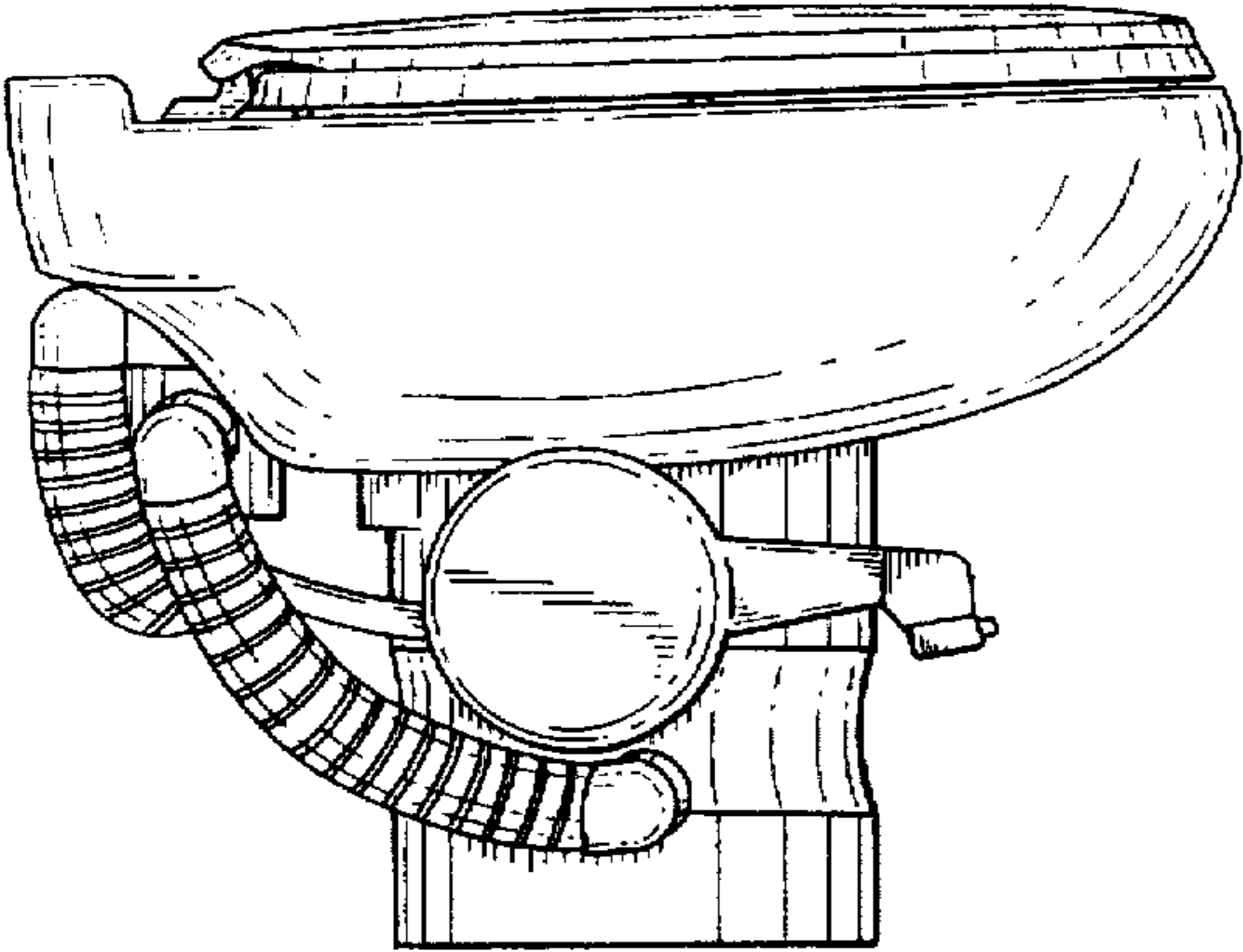


FIG. 3

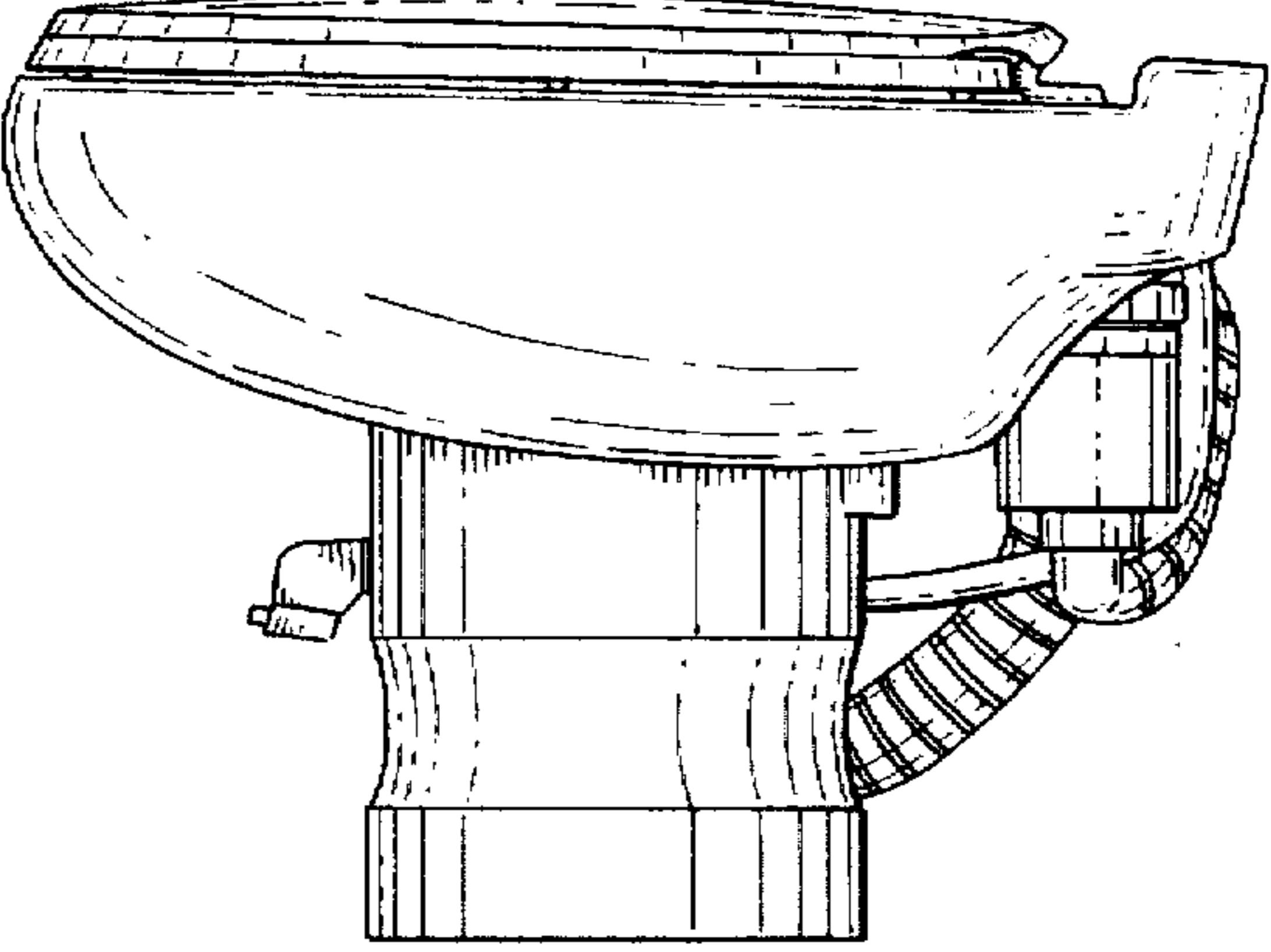


FIG. 4

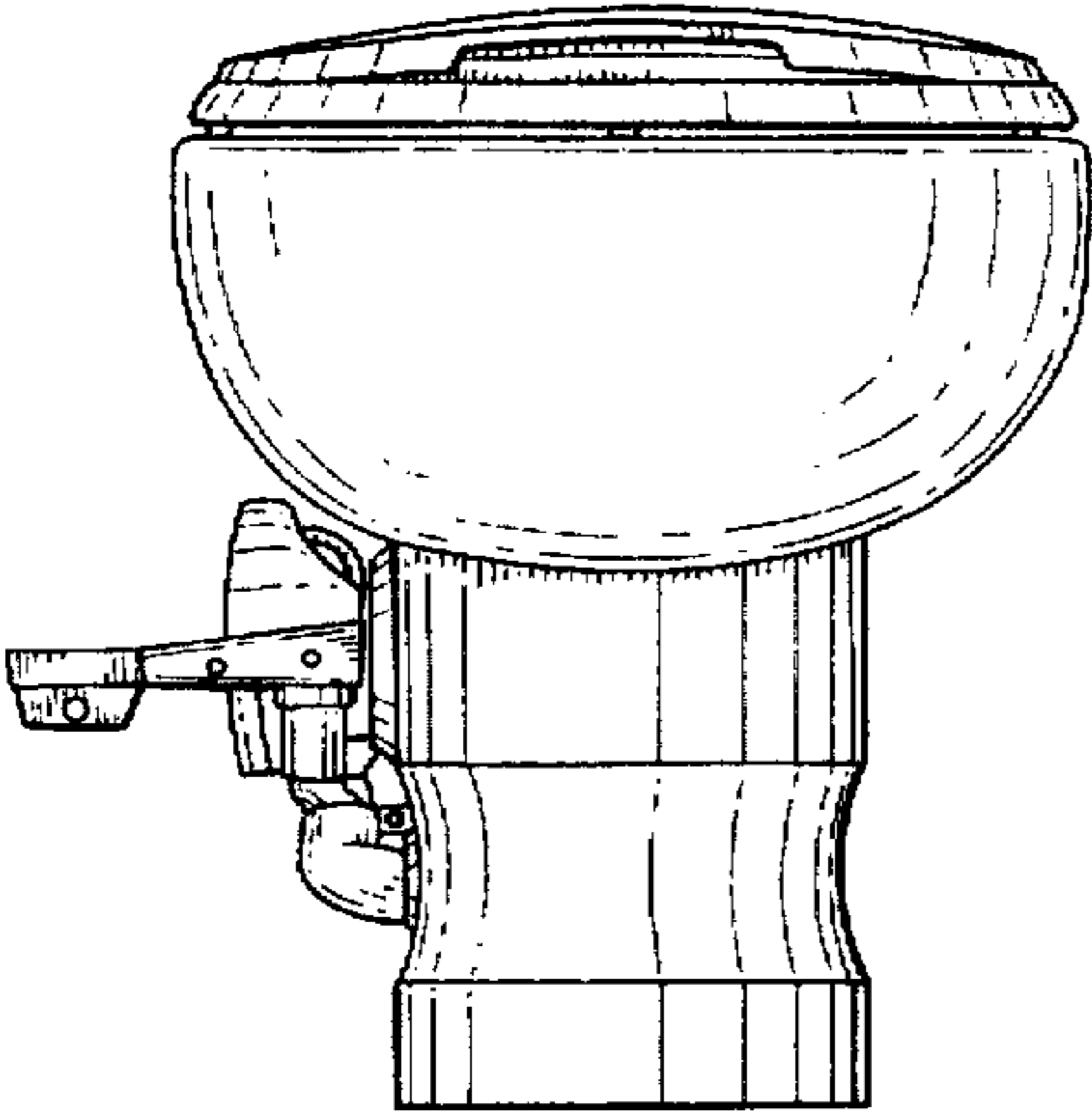
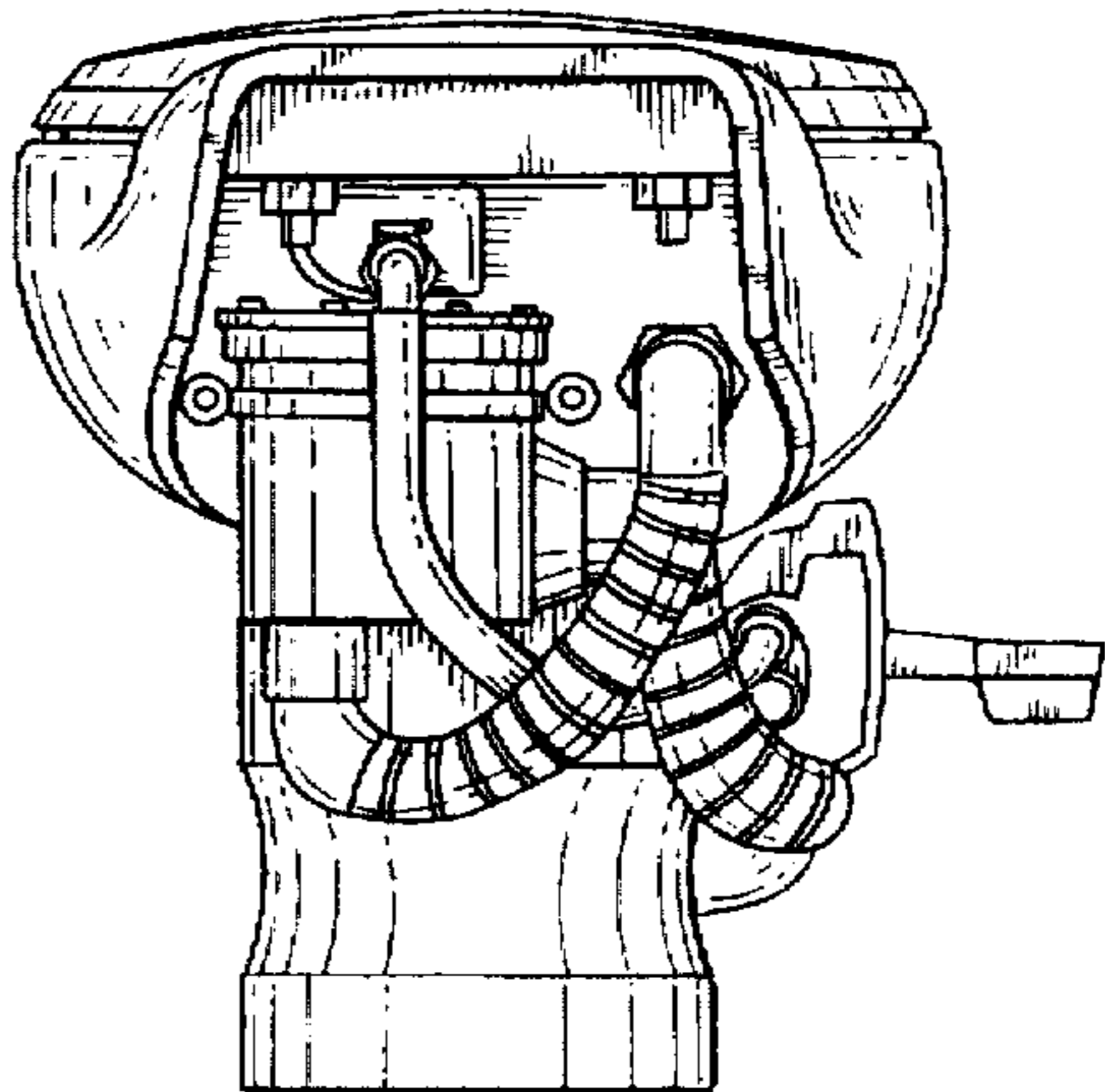


FIG. 5



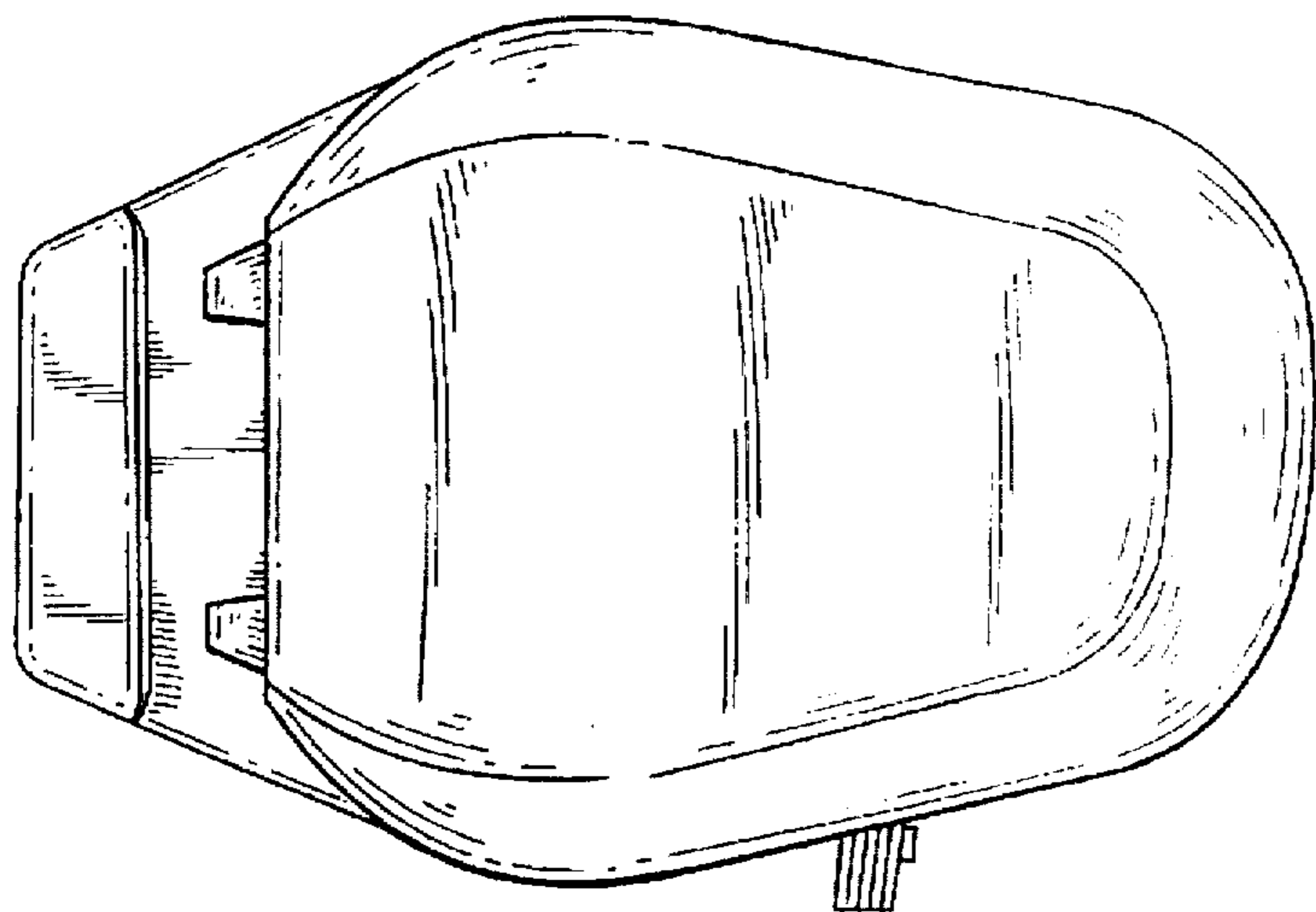


FIG. 6

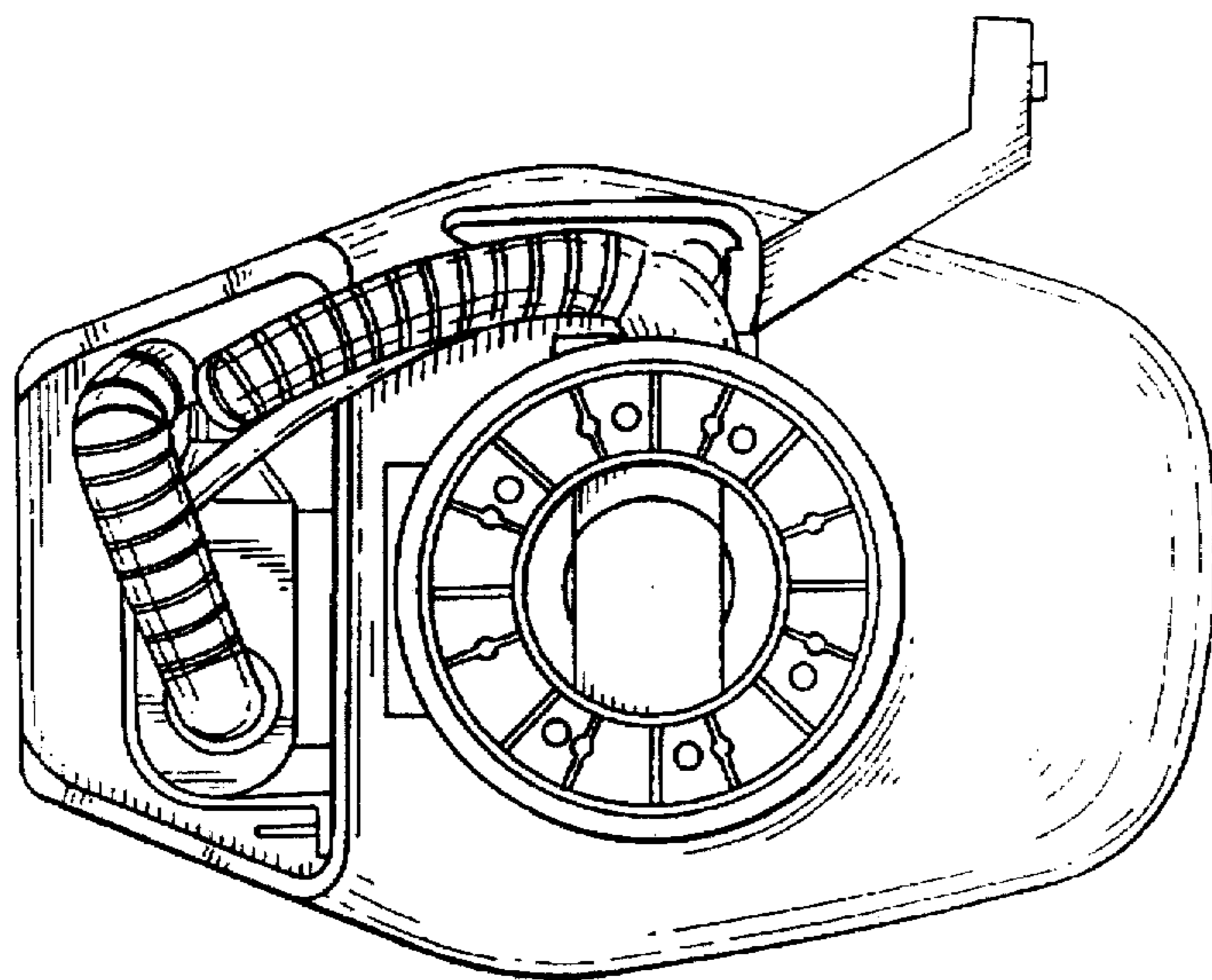


FIG. 7