



US00D387133S

United States Patent [19]

[11] Patent Number: **Des. 387,133**

Donahue et al.

[45] Date of Patent: ****Dec. 2, 1997**

[54] FAUCET

[75] Inventors: **Mark E. Donahue**, Richmond;
Carolyn J. Duffield, Elyria; **Vance M. Johnson**, Amherst; **James J. McElroy**, Westlake; **Nagib Nasr**, Parma Heights, all of Ohio

[73] Assignee: **Moen Incorporated**, North Olmsted, Ohio

[**] Term: **14 Years**

[21] Appl. No.: **63,511**

[22] Filed: **Dec. 9, 1996**

[51] LOC (6) Cl. **23-01**

[52] U.S. Cl. **D23/242**

[58] Field of Search **D23/233-237, D23/250-257; D8/308, 309, 310; 4/675; 16/110 R, 111, 118, 121**

[56] **References Cited**

U.S. PATENT DOCUMENTS

- D. 354,798 1/1995 Mark D23/252
- D. 364,215 11/1995 Stark D23/242
- D. 364,219 11/1995 Hill et al. D23/255

Primary Examiner—Louis S. Zarfes

Assistant Examiner—Eric Watterson
Attorney, Agent, or Firm—Dorn, McEachran, Jambor & Keating

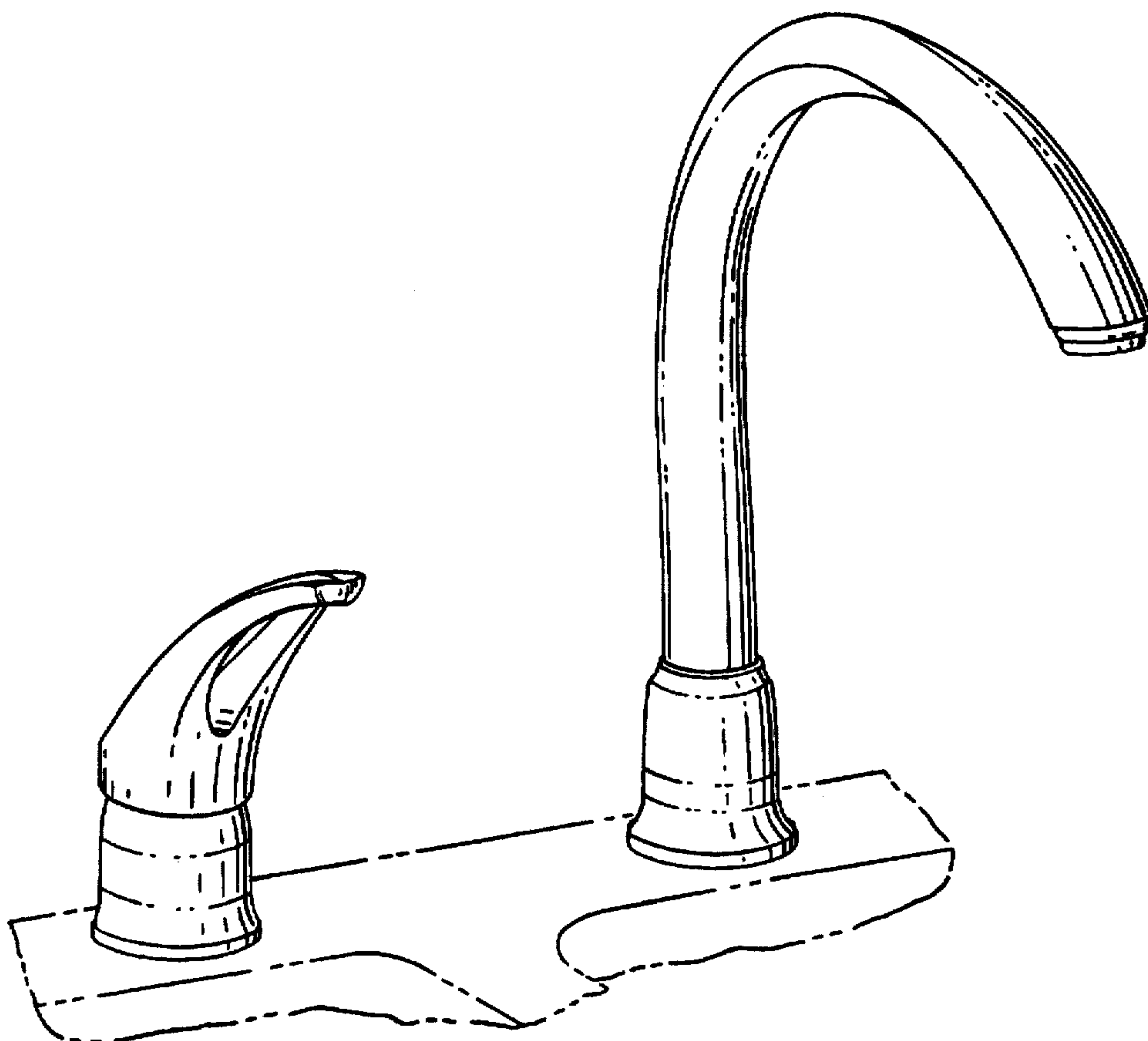
[57] **CLAIM**

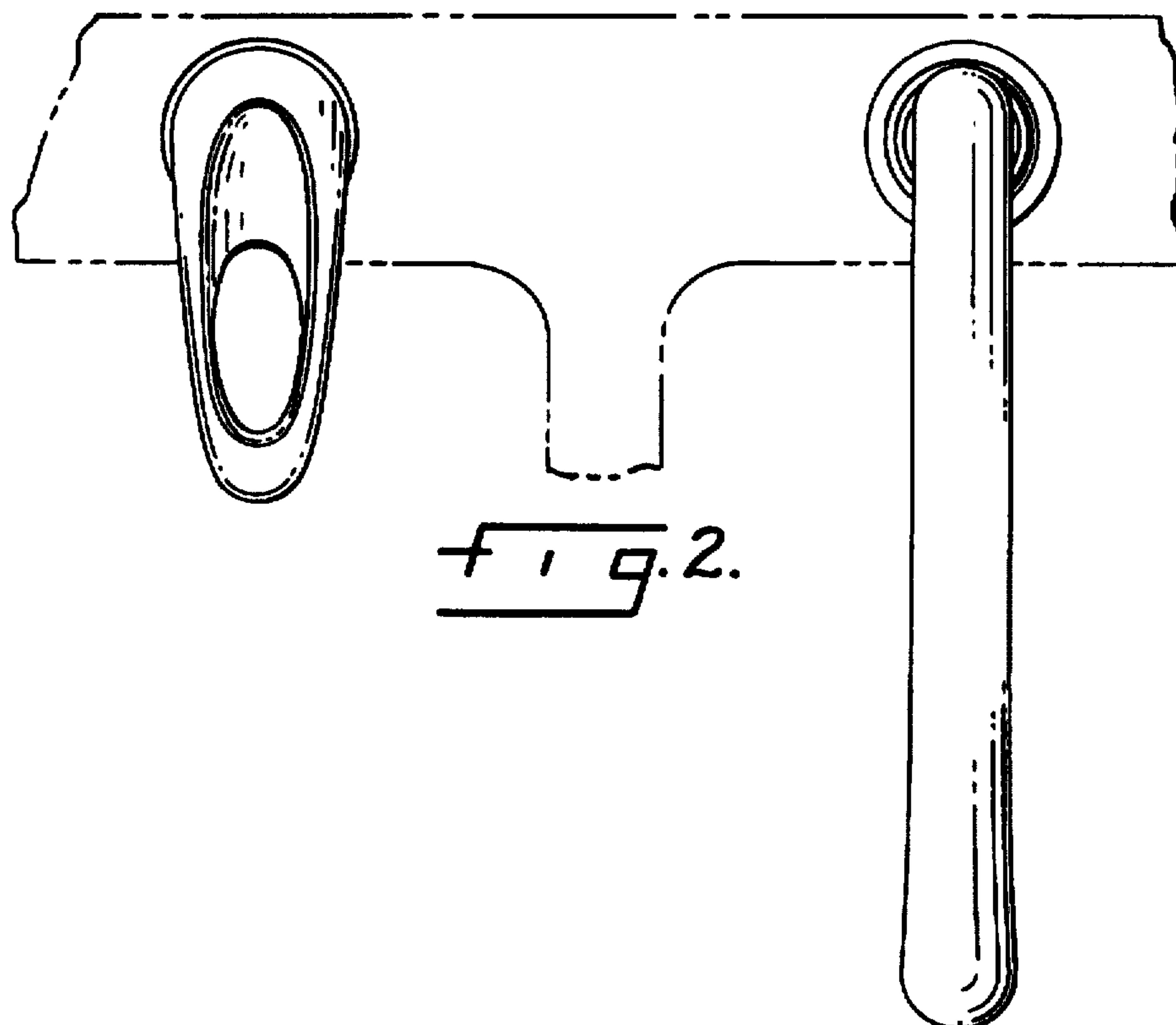
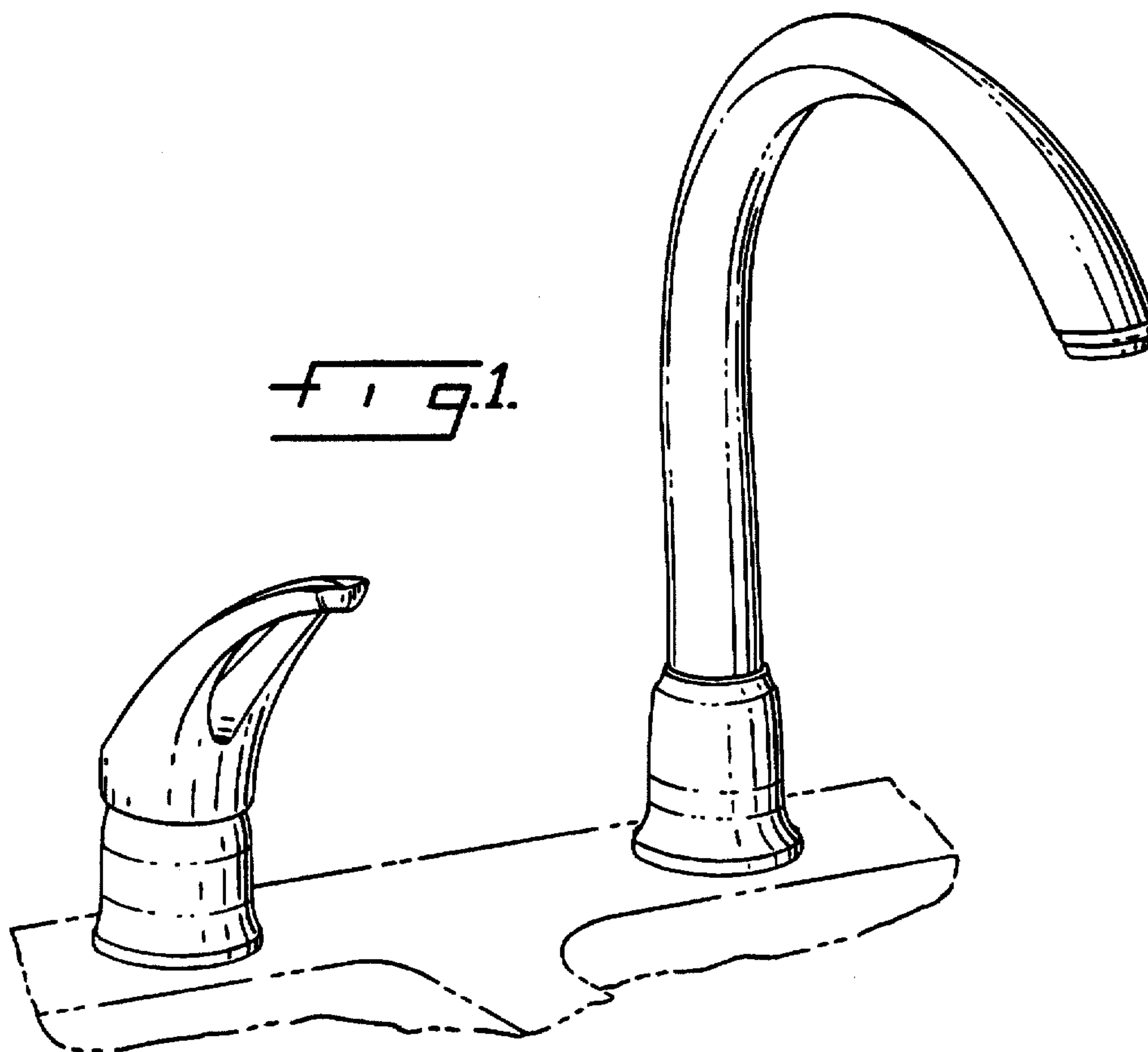
The ornamental design for a faucet, as shown and described.

DESCRIPTION

FIG. 1 is a front perspective view of a faucet showing our new design;
 FIG. 2 is a top view thereof;
 FIG. 3 is a left side view thereof;
 FIG. 4 is a front view thereof;
 FIG. 5 is a right side view thereof;
 FIG. 6 is a rear view thereof;
 FIG. 7 is a front perspective view a second embodiment, with the spout portion being identical with the spout portion in the FIG. 1-6 embodiment;
 FIG. 8 is a top view of the handle portion of FIG. 7;
 FIG. 9 is a left side view of the handle of FIG. 7, the right side being a mirror image of the left side ;
 FIG. 10 is a front view of the handle portion of FIG. 7; and,
 FIG. 11 is a rear view of the handle portion of FIG. 7.
 The broken line representations of the supporting base for the faucets herein are for purposes of illustration only and form no part of the claimed design.

1 Claim, 4 Drawing Sheets





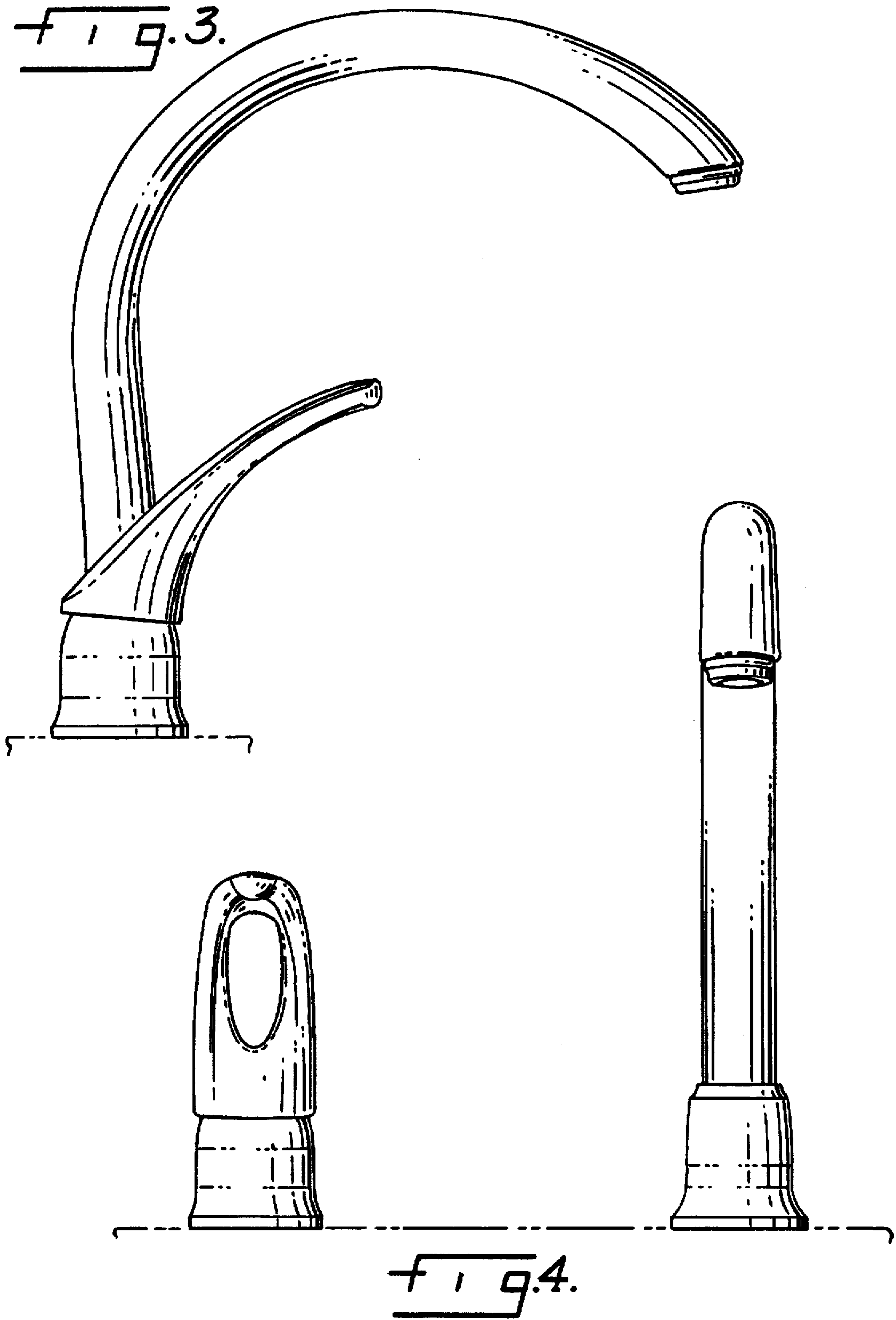


FIG. 5.

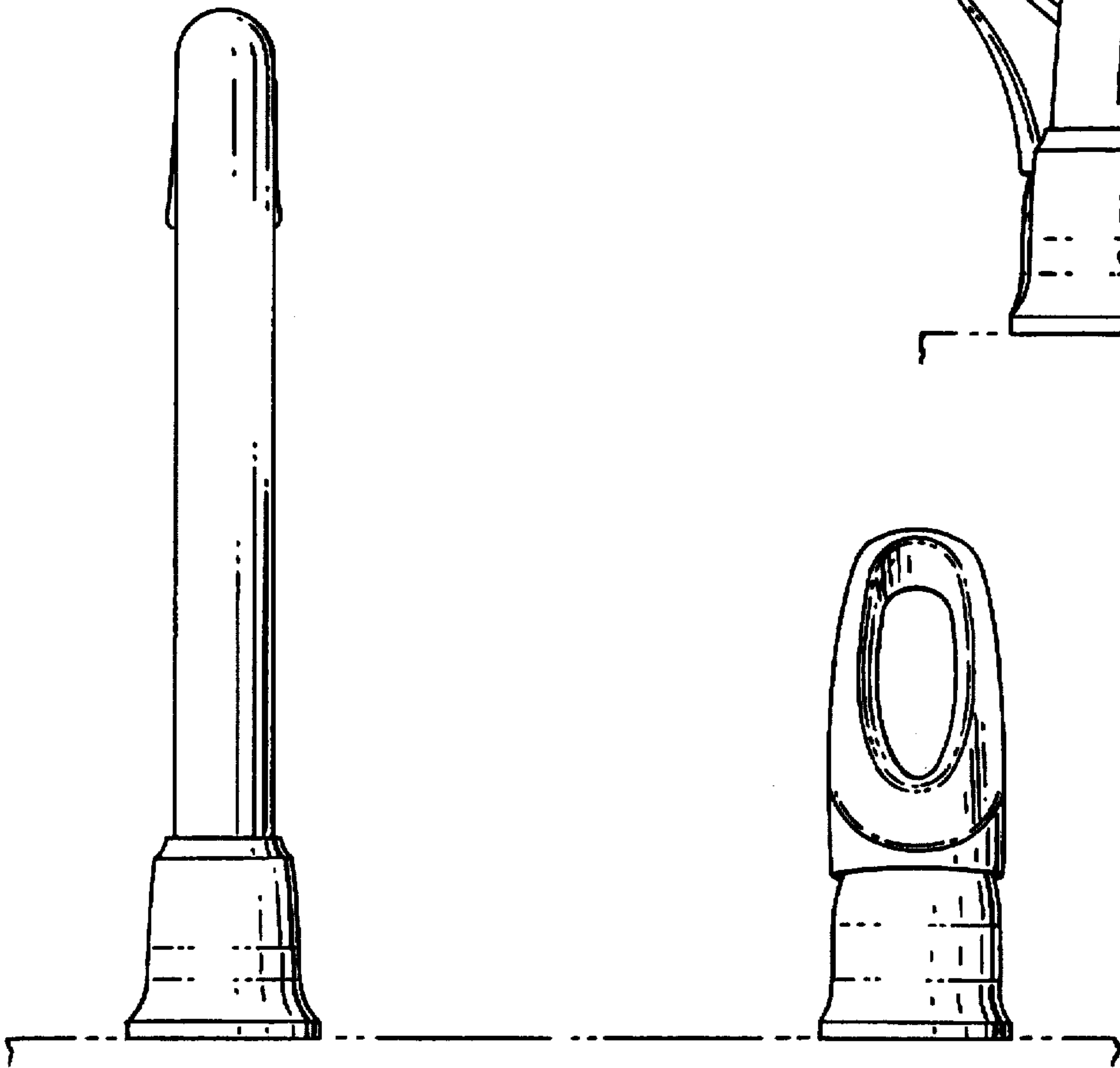
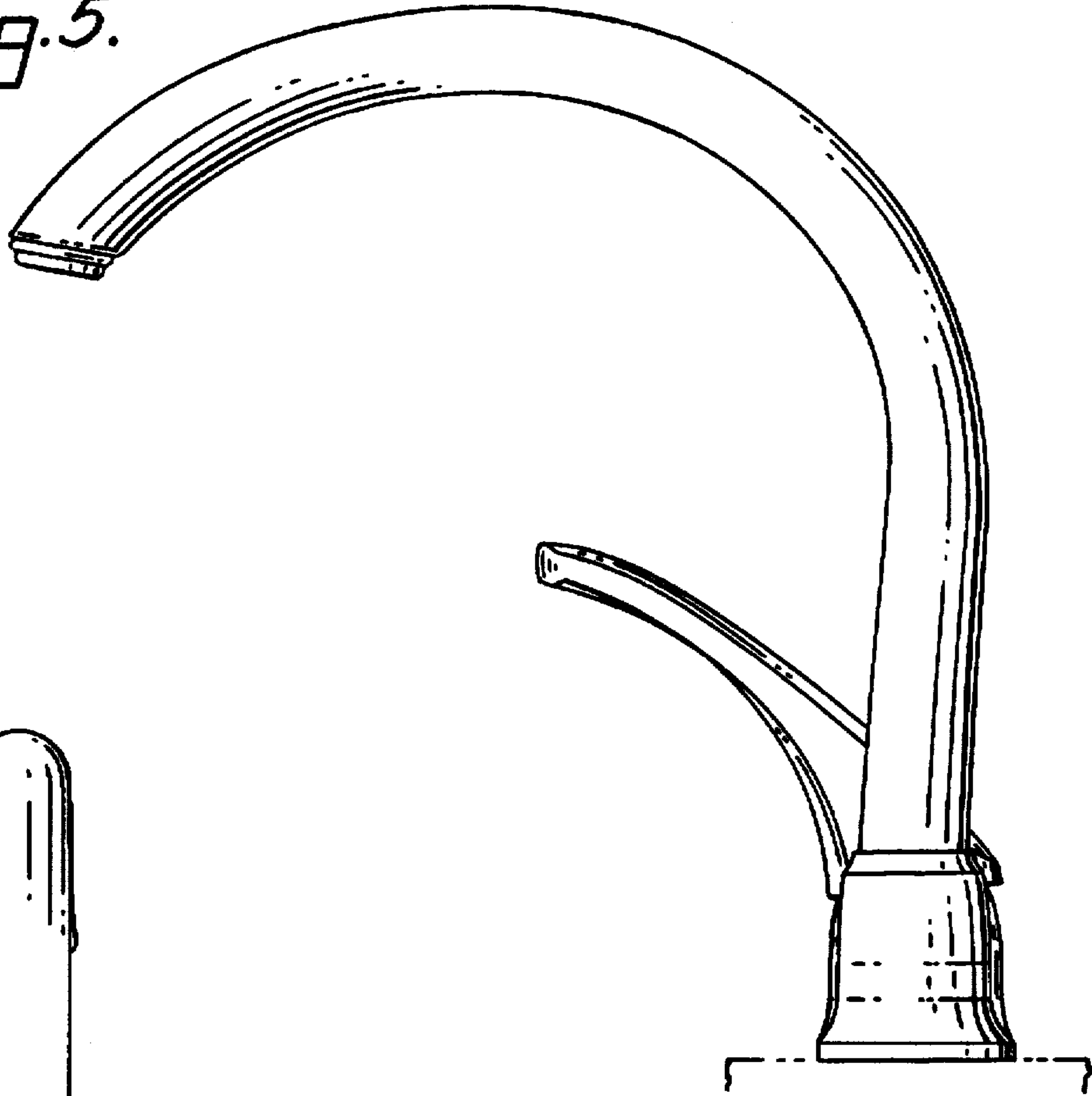


FIG. 6.

