

US00D387132S

United States Patent [19]
Donahue et al.

[11] **Patent Number:** **Des. 387,132**
[45] **Date of Patent:** ****Dec. 2, 1997**

[54] **FAUCET**

D. 367,697 3/1996 Has et al. D23/238
D. 375,143 10/1996 Doughty et al. D23/243

[75] **Inventors:** **Mark E. Donahue**, Richmond Heights;
Carolyn J. Duffield, Elyria; **Vance M. Johnson**, Amherst; **James J. McElroy**,
Westlake; **Nagib Nasr**, Parma Heights,
all of Ohio

Primary Examiner—Louis S. Zarfes
Assistant Examiner—Eric Watterson
Attorney, Agent, or Firm—Dorn, McEachran, Jambor &
Keating

[73] **Assignee:** **Moen Incorporated**, North Olmstead,
Ohio

[57] **CLAIM**

[**] **Term:** **14 Years**

The ornamental design for a faucet, as shown and described.

[21] **Appl. No.:** **63,513**

DESCRIPTION

[22] **Filed:** **Dec. 9, 1996**

FIG. 1 is a front perspective view of a faucet showing our
new design;

[51] **LOC (6) Cl.** **23-01**

FIG. 2 is a top view thereof;

[52] **U.S. Cl.** **D23/238**

FIG. 3 is a left side view thereof, the right side view being
a mirror image thereof;

[58] **Field of Search** D23/233-237,
D23/250-257; 4/675-678; 137/801; D8/300,
303, 308

FIG. 4 is a front view thereof; and,

FIG. 5 is a rear view thereof.

[56] **References Cited**

U.S. PATENT DOCUMENTS

D. 360,931 8/1995 Mark et al. D23/238

1 Claim, 2 Drawing Sheets

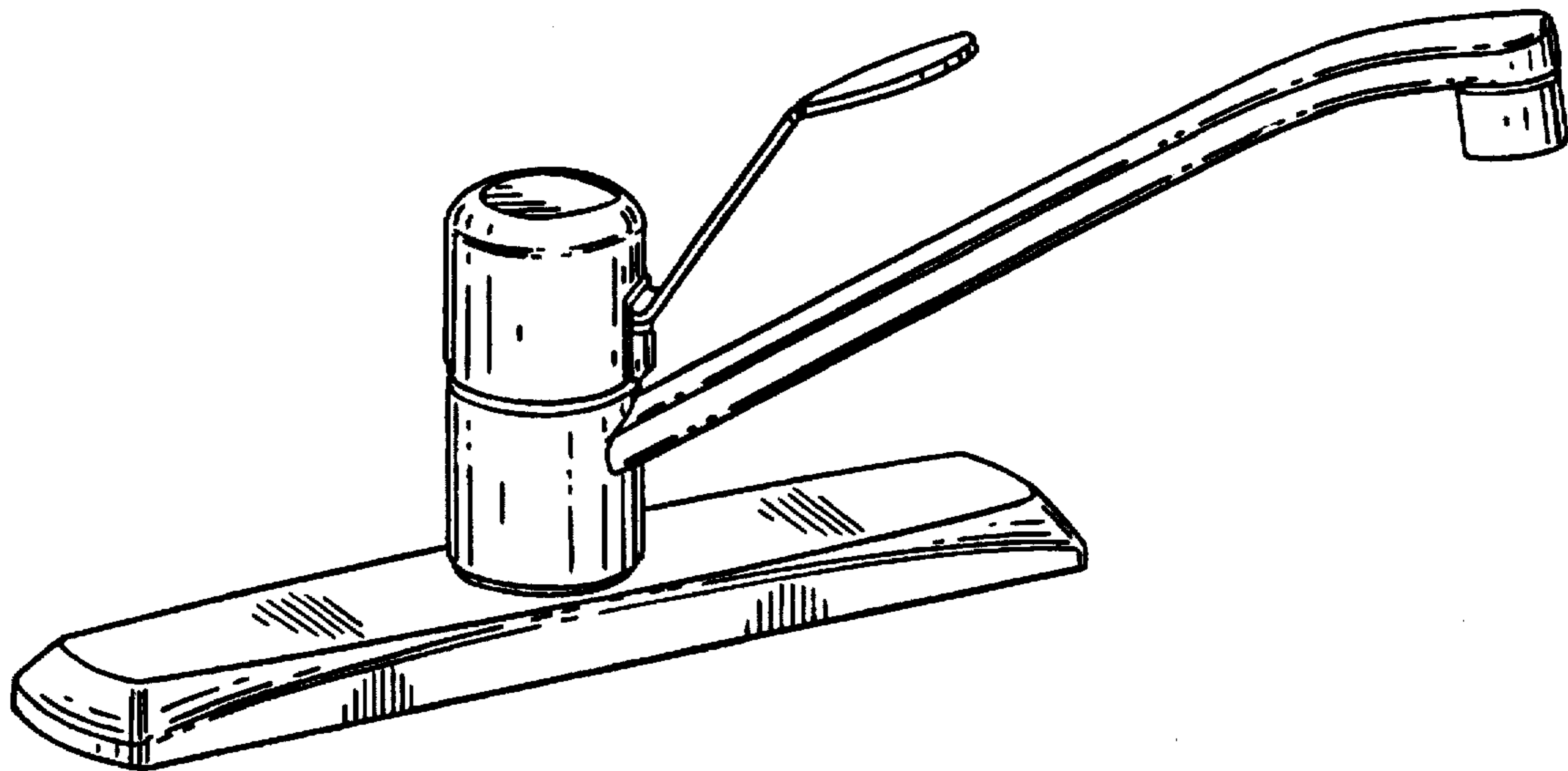


FIG. 1.

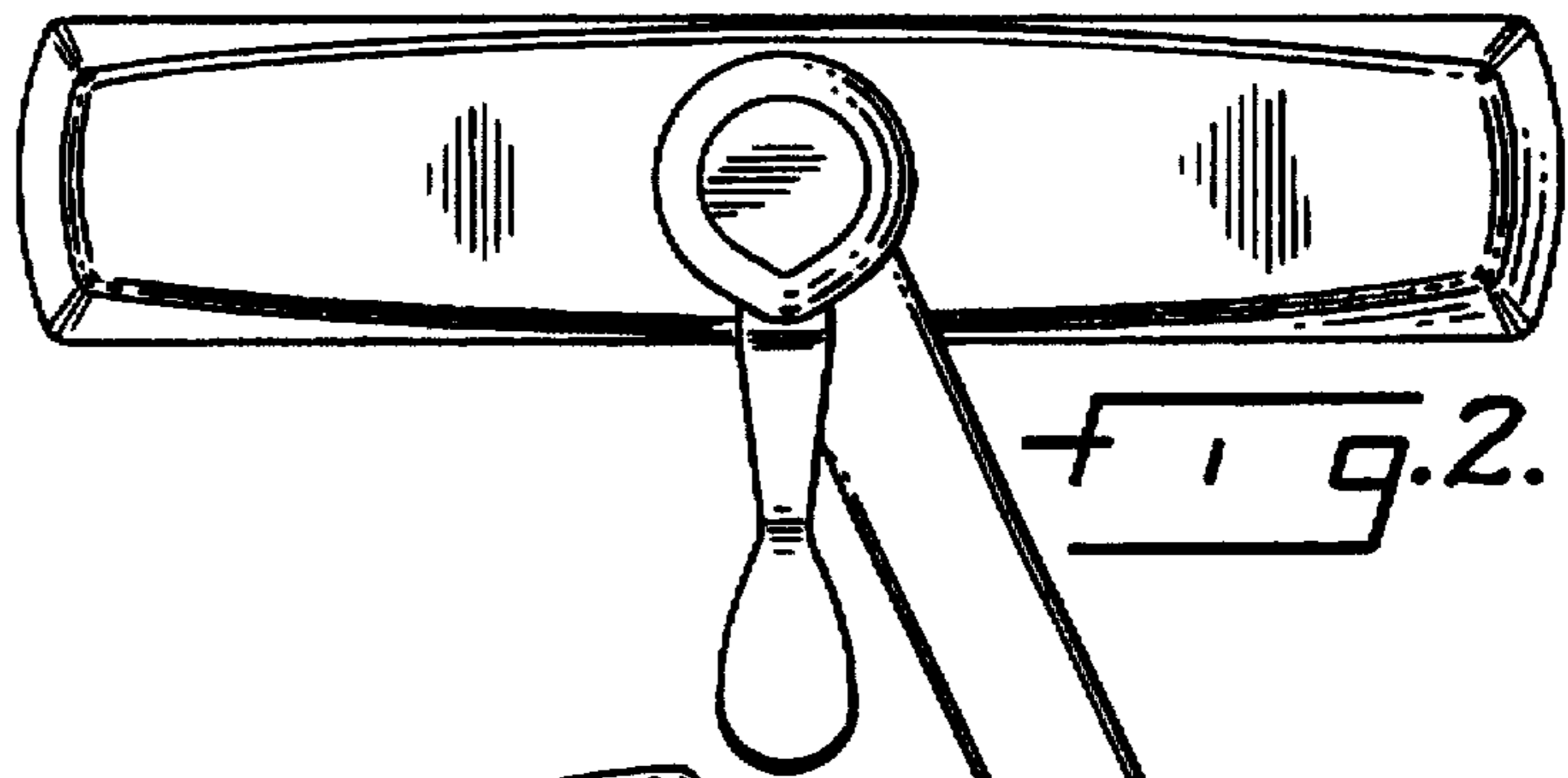
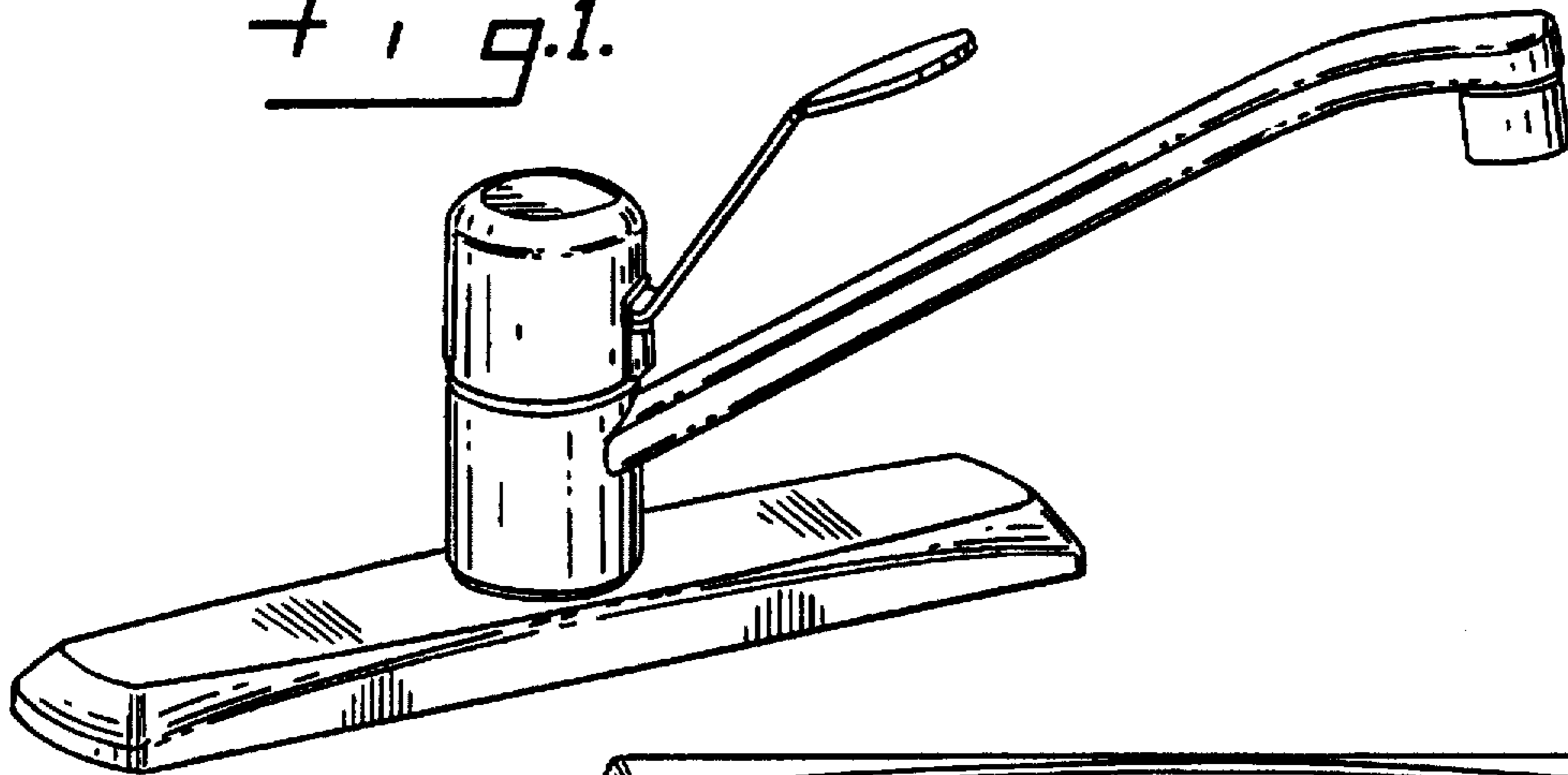


FIG. 2.

FIG. 3.

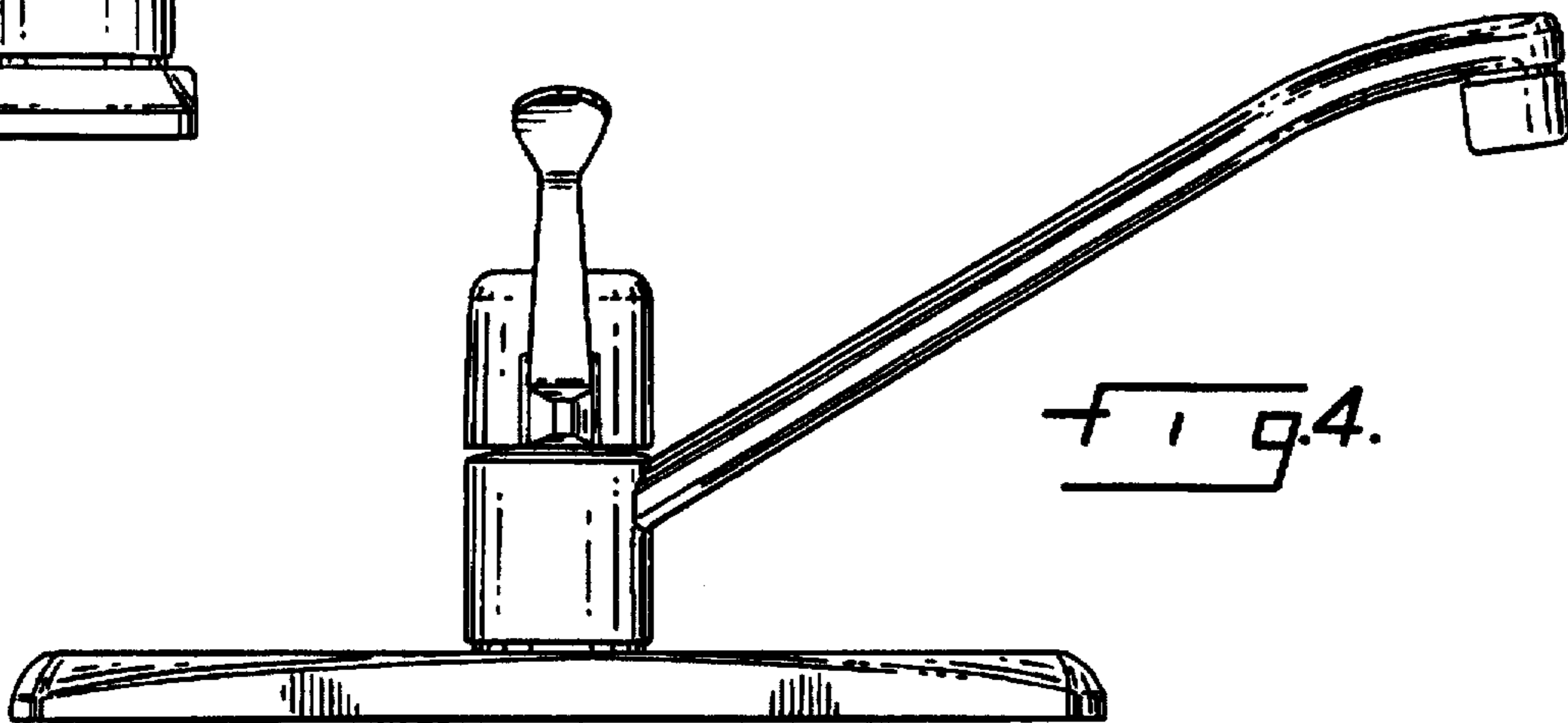
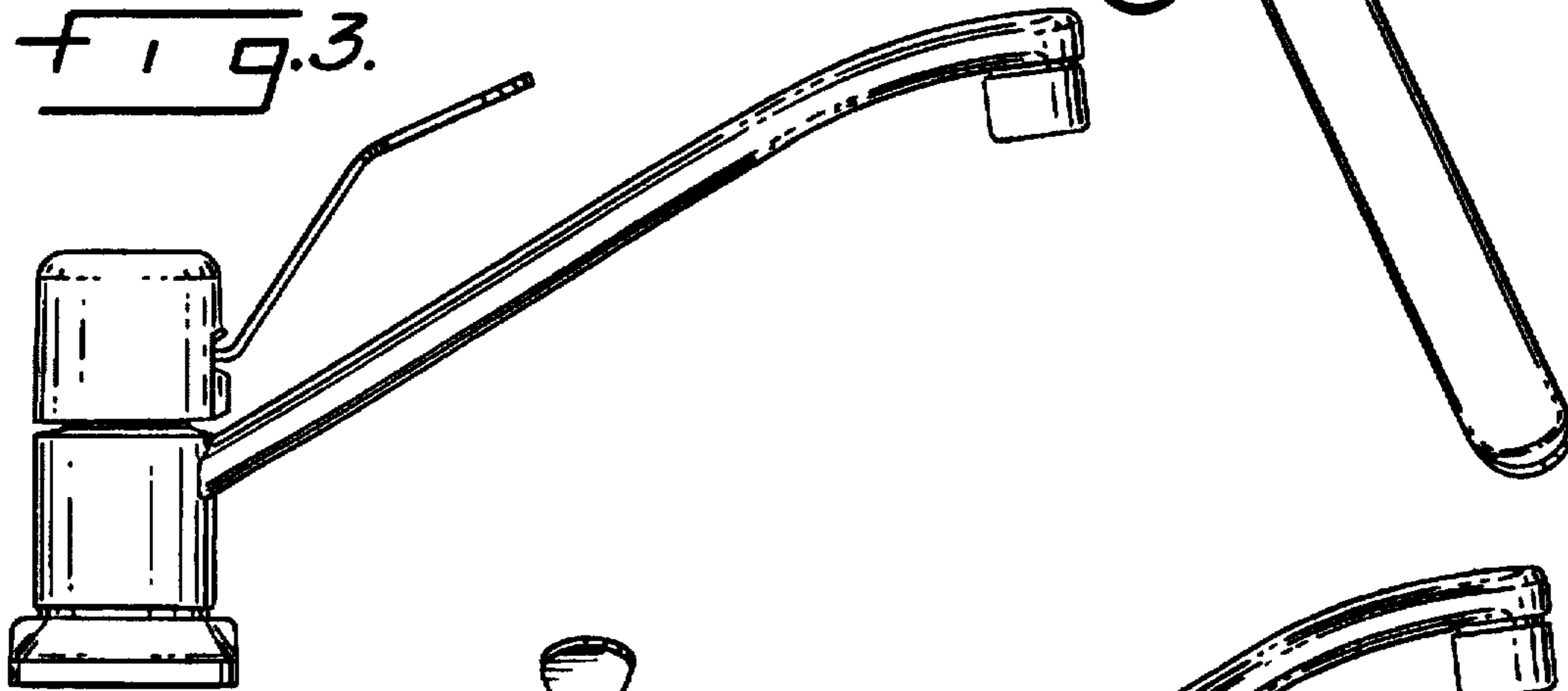


FIG. 4.

