



US00D387126S

United States Patent [19]

[11] Patent Number: **Des. 387,126**

Hayden

[45] Date of Patent: ****Dec. 2, 1997**

[54] **COMBINED WASH SOLUTION CONTAINER AND SPRAY WAND FOR CLEANING RV AND BOAT BLACK WATER COMPARTMENTS**

3,770,205 11/1973 Tal 239/318
4,427,046 1/1984 Hechler 239/318

OTHER PUBLICATIONS

Hosemaster Gilmour Manufacturing Co., Acid Cleaning Wand, p. 17, 1965.

Primary Examiner—Alan P. Douglas
Assistant Examiner—Robin V. Taylor

[76] Inventor: **Wayne L. Hayden**, R.R. 2, Box 687, Lakeside, Ariz. 85929

[**] Term: **14 Years**

[57] CLAIM

[21] Appl. No.: **62,312**

The ornamental design for a combined wash solution container and spray wand for cleaning RV and boat black water compartments, as shown and described.

[22] Filed: **Nov. 13, 1996**

DESCRIPTION

[51] LOC (6) Cl. **23-01**

[52] U.S. Cl. **D23/213; D23/225; D23/35**

[58] Field of Search **D23/213, 223-226; D32/45, 35; 239/310, 315, 316, 318, 270, 271, 530-532**

FIG. 1 is a front elevational view of the combined wash solution container and spray wand for cleaning RV and boat black water compartments showing my new design; FIG. 2 is a rear elevational view thereof; FIG. 3 is a right side elevational view thereof; FIG. 4 is a left side elevational view thereof; FIG. 5 is a bottom plan view thereof; and, FIG. 6 is a top plan view thereof.

[56] References Cited

U.S. PATENT DOCUMENTS

D. 270,368	8/1983	Grime	D23/225
D. 285,244	8/1986	Clivio et al.	D23/225
D. 357,097	4/1995	Lee	D23/213
D. 362,935	10/1995	Lee	D23/213
1,769,428	7/1930	Gatchet	D23/225

1 Claim, 3 Drawing Sheets

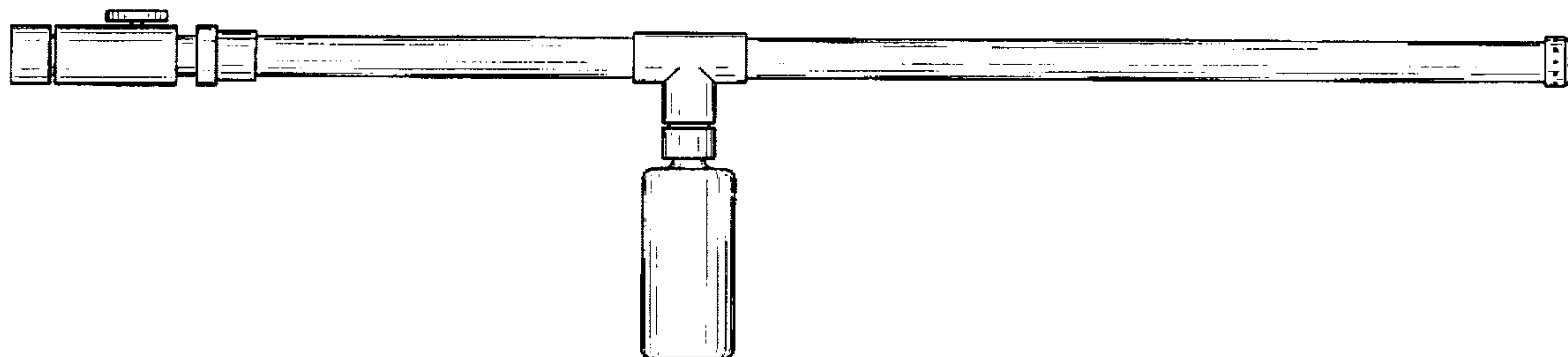


FIG. 1



FIG. 2



FIG. 3

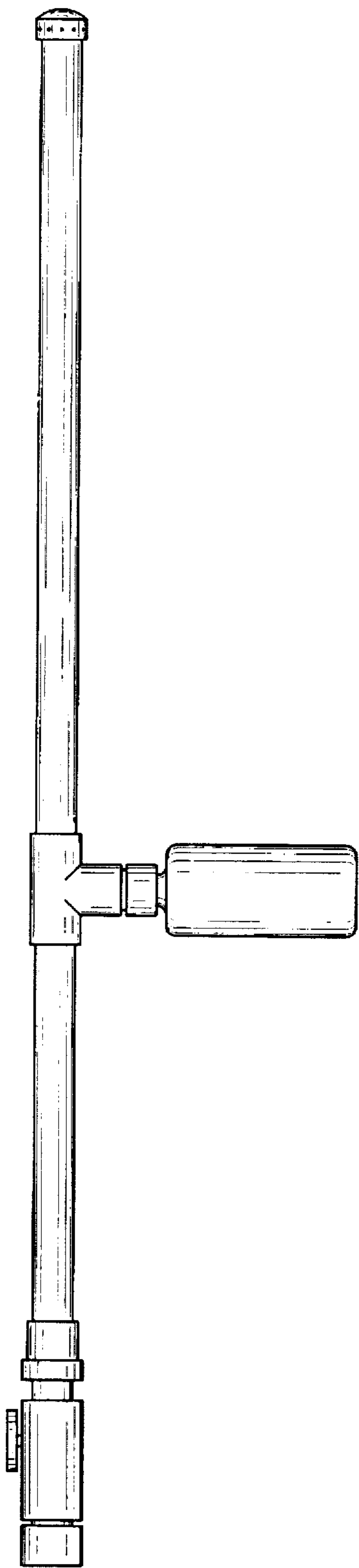


FIG. 4

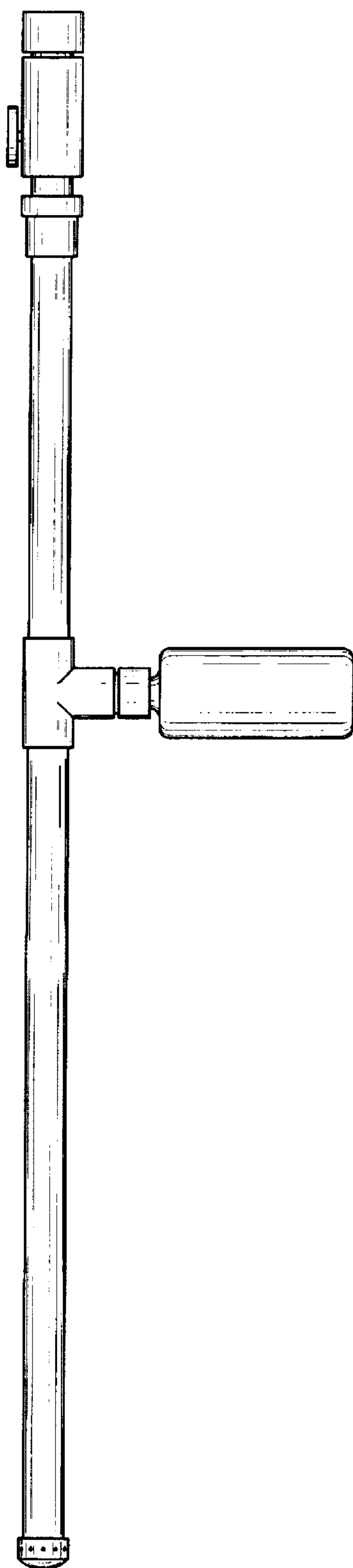


FIG. 5

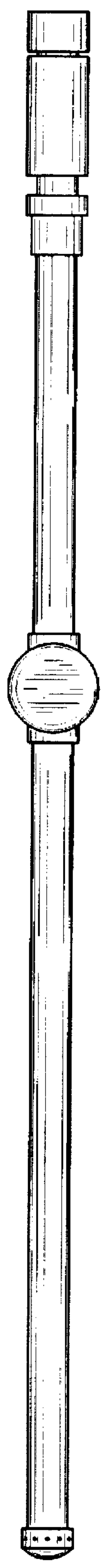


FIG. 6

