



US00D387124S

United States Patent [19]

[11] Patent Number: **Des. 387,124**

Erlandson

[45] Date of Patent: ****Dec. 2, 1997**

[54] **CRAB, FISH AND LOBSTER TRAP ESCAPE VENT**

4,159,591	7/1979	Plante	43/100
4,980,989	1/1991	Davis	43/100
5,168,653	12/1992	Wyman et al.	43/100

[75] Inventor: **Donald G. Erlandson**, Topsham, Me.

Primary Examiner—Doris V. Coles
Attorney, Agent, or Firm—Stan Jones, Patents

[73] Assignee: **Top-Me**, Topsham, Me.

[**] Term: **14 Years**

[57] CLAIM

[21] Appl. No.: **54,810**

The ornamental design for a crab, fish and lobster trap escape vent, as shown and described.

[22] Filed: **May 22, 1996**

DESCRIPTION

[51] LOC (6) Cl. **22-06**

[52] U.S. Cl. **D22/121**

[58] Field of Search D22/121; 43/100, 43/102, 105, 65

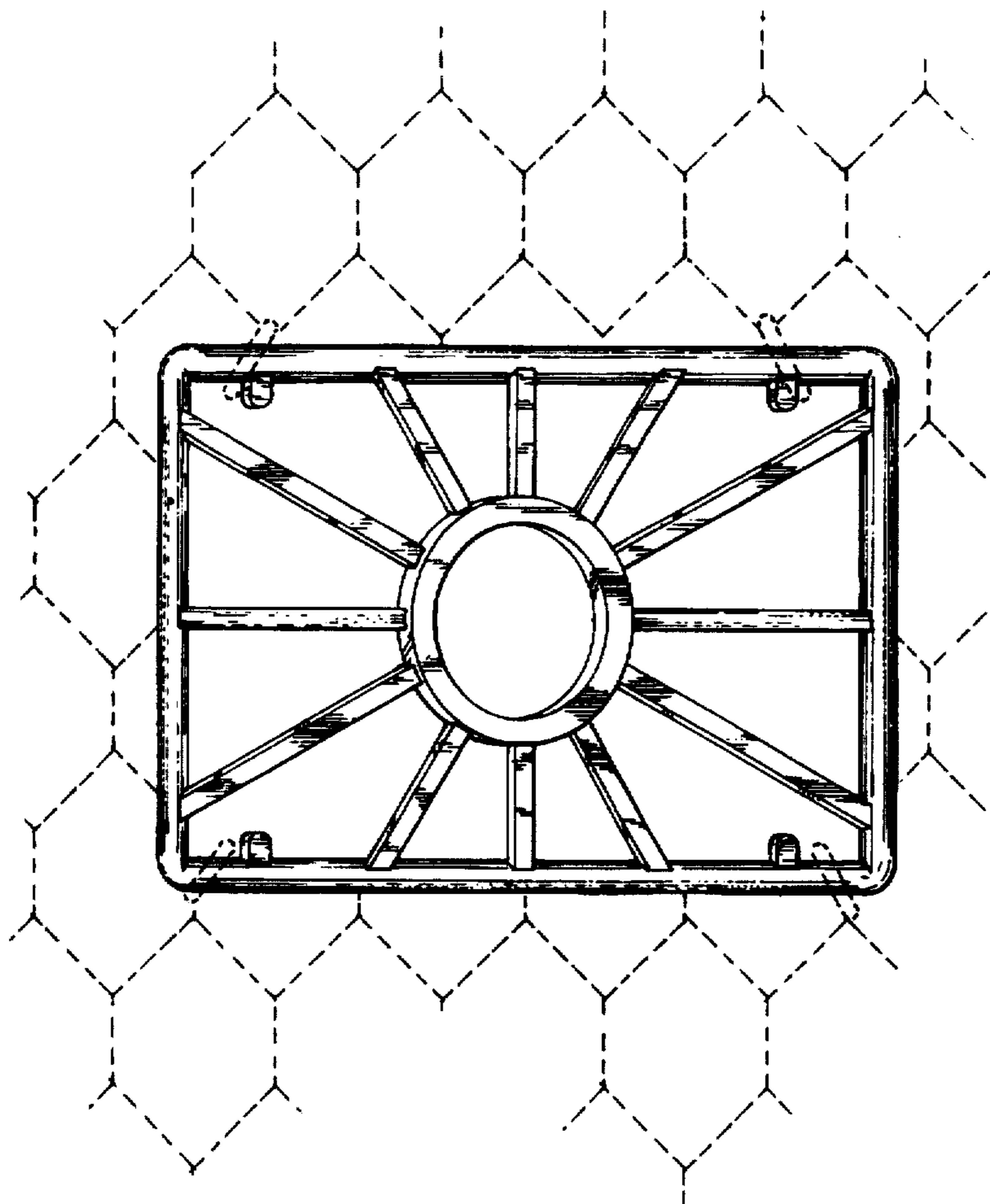
FIG. 1 is a front perspective view of a crab, fish and lobster trap escape vent, showing my new design;
 FIG. 2 is a front elevational view thereof;
 FIG. 3 is a side elevational view, the opposite side being a mirror image thereof;
 FIG. 4 is a bottom plan view, the top being a mirror image thereof;
 FIG. 5 is rear elevational view; and
 FIG. 6 is a front elevational view of a second embodiment, the rear being a mirror image thereof.
 The broken line showing of environment in FIGS. 1 and 6 is for illustrative purposes only and forms no part of claimed design.

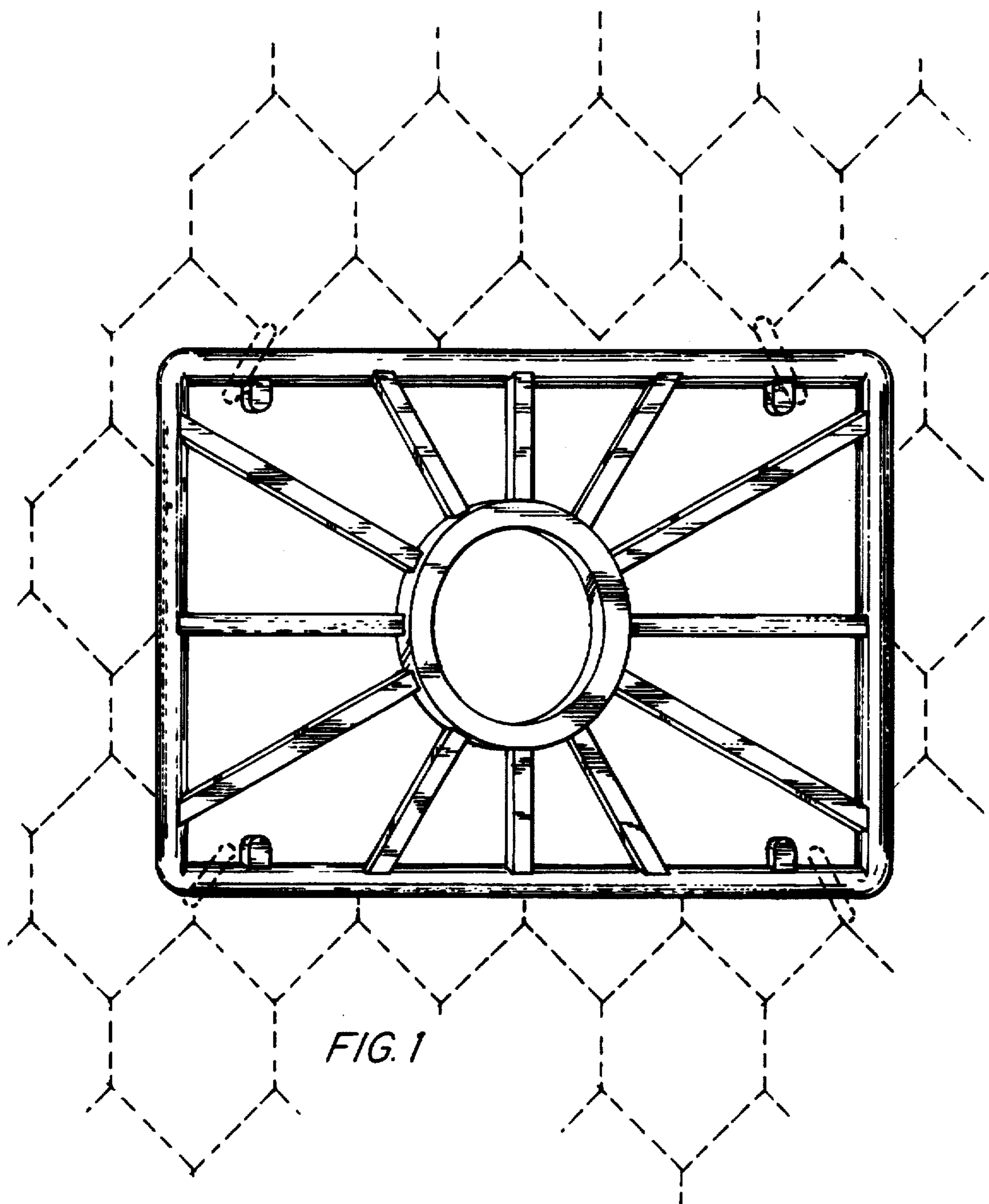
[56] References Cited

U.S. PATENT DOCUMENTS

D. 236,466	8/1975	Torngren	D22/121
D. 259,434	6/1981	Plante	D22/121
D. 259,435	6/1981	Plante	D22/121
D. 289,788	5/1987	Deaton et al.	D22/121
D. 367,695	3/1996	Erlandson	D22/121
3,245,173	4/1966	Sylvester	D22/121 X
3,708,905	1/1973	Jalbert	43/100
3,992,804	11/1976	Senese	43/100

1 Claim, 3 Drawing Sheets





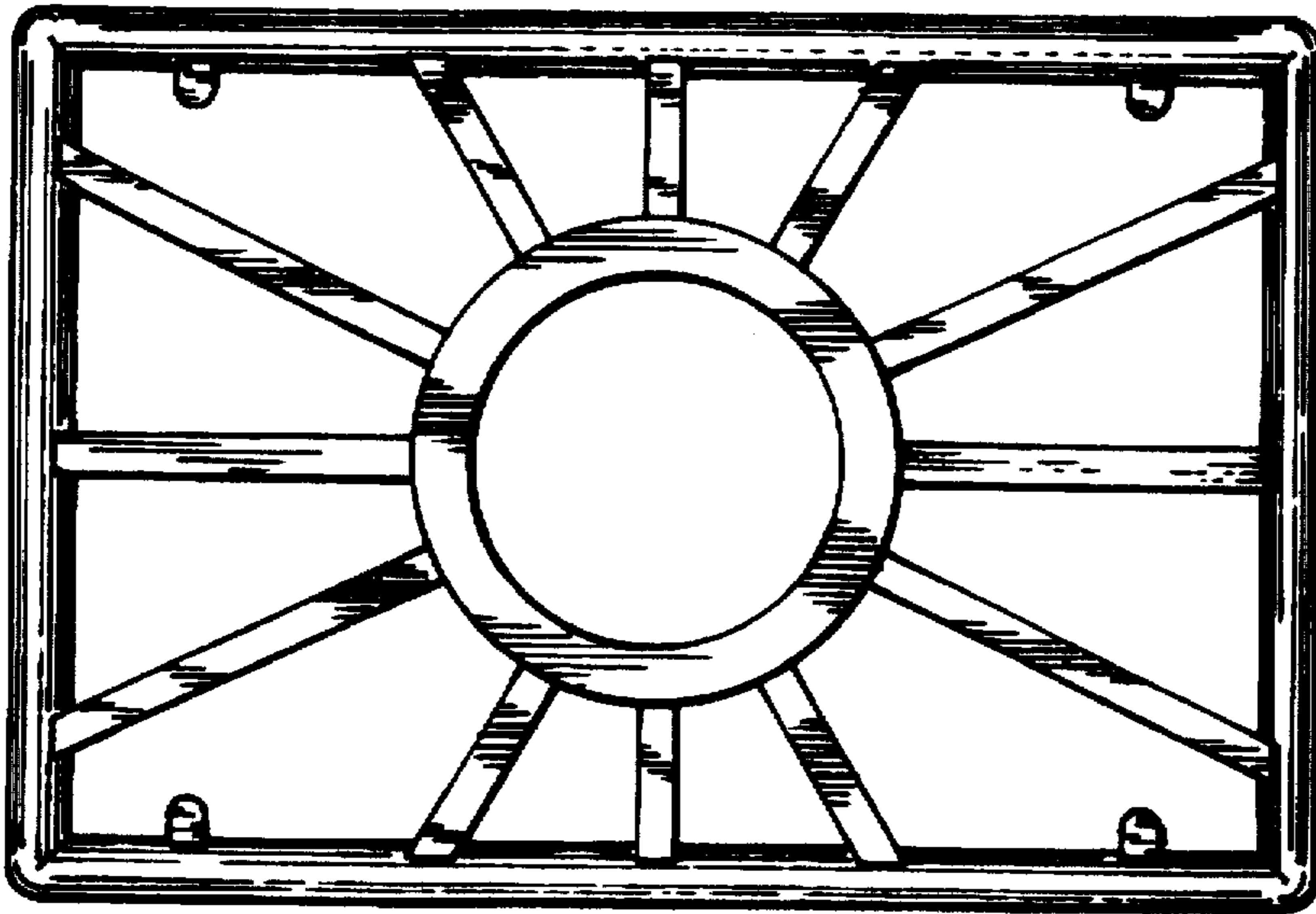


FIG. 2



FIG. 3

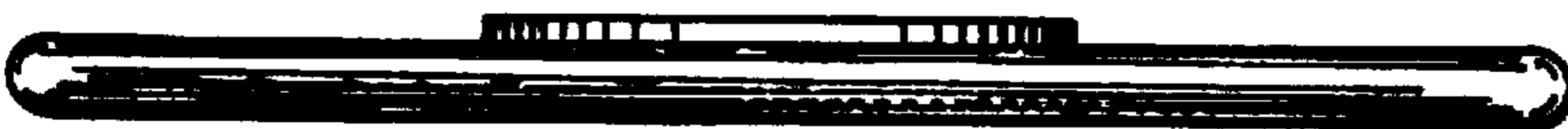


FIG. 4

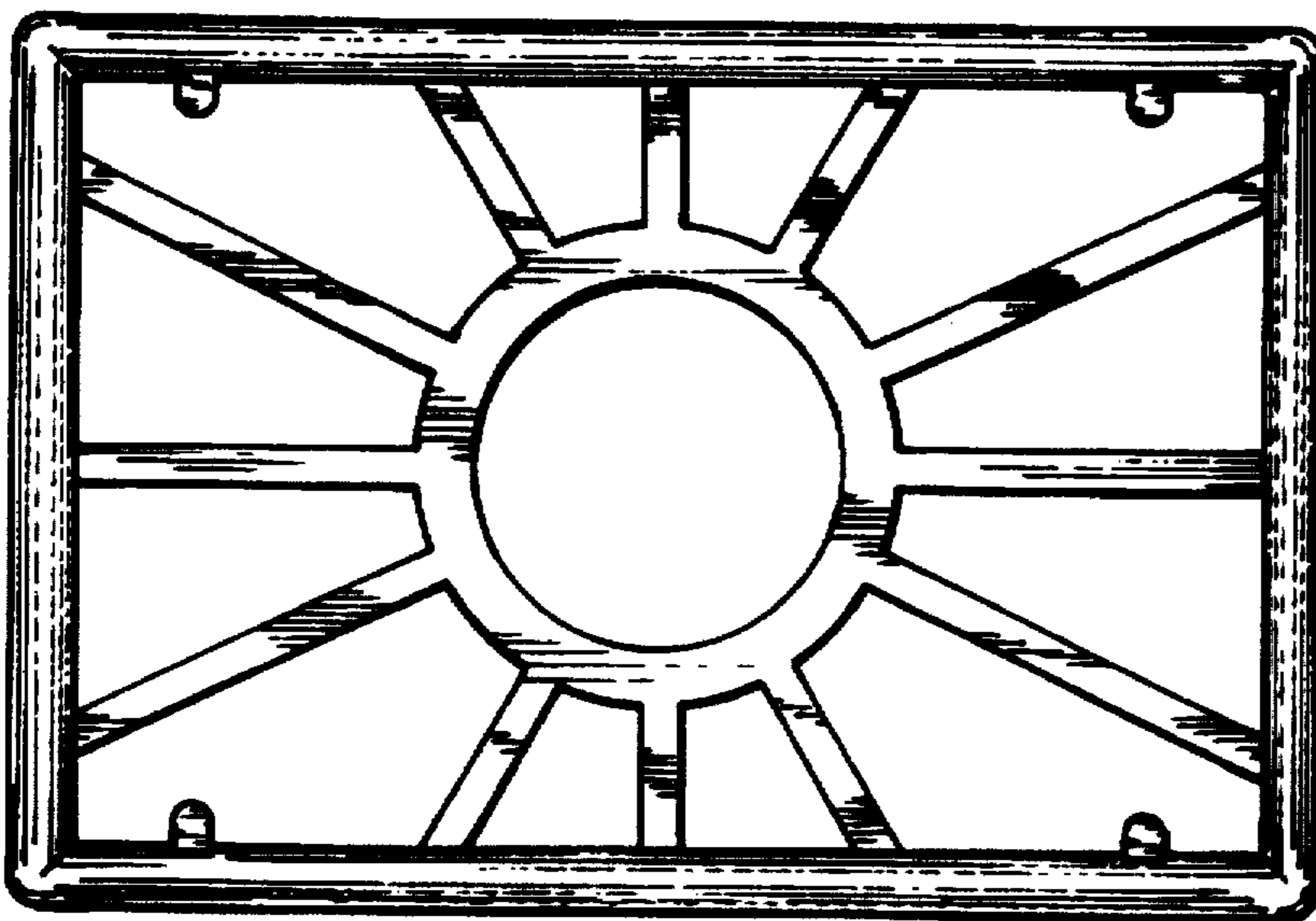


FIG. 5

