



US00D387119S

United States Patent [19]

[11] Patent Number: Des. 387,119

Bookstaver et al.

[45] Date of Patent: **Dec. 2, 1997

[54] PLAYGROUND ASSEMBLY SUPPORT MEMBER

[75] Inventors: **Charles W. Bookstaver**, Olney, Ill.;
Samuel G. Smith, Starkville, Miss.;
Frank Mercurio, Wallingford, Conn.

[73] Assignee: **Roadmaster Corporation**, Olney, Ill.

[**] Term: **14 Years**

[21] Appl. No.: **55,865**

[22] Filed: **Jun. 14, 1996**

Related U.S. Application Data

[62] Division of Ser. No. 32,385, Oct. 18, 1994, Pat. No. Des. 374,902, which is a continuation of Ser. No. 23,392, May 23, 1994, abandoned.

[51] LOC (6) Cl. **21-03**

[52] U.S. Cl. **D21/246; D21/240**

[58] Field of Search **D21/240-246;**
482/35, 36

[56] References Cited

U.S. PATENT DOCUMENTS

- D. 277,222 1/1985 Mower .
- D. 293,046 12/1987 Riehm .
- D. 303,826 10/1989 Aker .
- D. 305,584 1/1990 Spilman et al. .
- D. 334,610 4/1993 Aker .
- D. 343,438 1/1994 Fish, Jr. .
- D. 344,773 3/1994 Aker et al. .
- D. 353,866 12/1994 Houry et al. .
- 1,239,848 9/1917 Townsend .
- 3,141,670 7/1964 Smyrni et al. .
- 3,704,849 12/1972 Green .
- 4,094,503 6/1978 Wormser .
- 4,159,112 6/1979 O'Brien et al. .
- 4,190,283 2/1980 Boucher .
- 4,369,965 1/1983 Ahrens .
- 4,789,152 12/1988 Guerra .
- 4,796,884 1/1989 Ely et al. .
- 4,807,872 2/1989 Spilman et al. .
- 4,852,837 8/1989 Merten et al. .
- 5,453,055 9/1995 Van Huystee .

FOREIGN PATENT DOCUMENTS

- 27 11 104 11/1979 Germany .
- 36 09 914 10/1987 Germany .
- 1 378 498 12/1974 United Kingdom .

OTHER PUBLICATIONS

- 1971 Sears Wish Book Catalog, p. 135.
- 1984 Sears Wish Book Catalog, 1 p., page number unclear.
- 1989 Sears Wish Book Catalog, pp. 475-477.
- 1990 Sears Fall/Winter Home Catalog, p. 914.
- 1990 Sears Wish Book Catalog, pp. 536-537.
- 1991 Sears Spring/Summer Catalog, pp. 1392-1393.
- 1991 Sears Wish Book Catalog, pp. 572-573.
- 1992 Sears Wish Book Catalog, pp. 1346-1348, 1388.
- 1992 Sears Annual Catalog, pp. 962-963.
- Little Tikes Product Catalog, pp. 63, 103-1104, 108-110, and 2 additional pages (page numbers unclear).
- Little Tikes Advertisement.
- Step 2 Product Catalog, undated, 5 pages.
- Sing*N*Slide 1994 Consumer Buying Guide, 40 pages, dated Nov. 29, 1993.

Primary Examiner—Ted Shooman
Assistant Examiner—Mitchell I. Siegel
Attorney, Agent, or Firm—Steven P. Shurtz; Brinks Hofer Gilson & Lione

[57] CLAIM

The ornamental design for a playground assembly support member, as shown and described.

DESCRIPTION

FIG. 1 is a left, front perspective view of a playground assembly support member showing our new design;
 FIG. 2 is a front elevational view thereof;
 FIG. 3 is a rear elevational view thereof;
 FIG. 4 is a right elevational view thereof;
 FIG. 5 is a left elevational view thereof;
 FIG. 6 is a top plan view thereof;
 FIG. 7 is a bottom plan view thereof; and,
 FIG. 8 is a reduced rear perspective view thereof, the broken line showing of the right support member and swing set is for illustrative purposes only and forms no part of the claimed design.

1 Claim, 6 Drawing Sheets

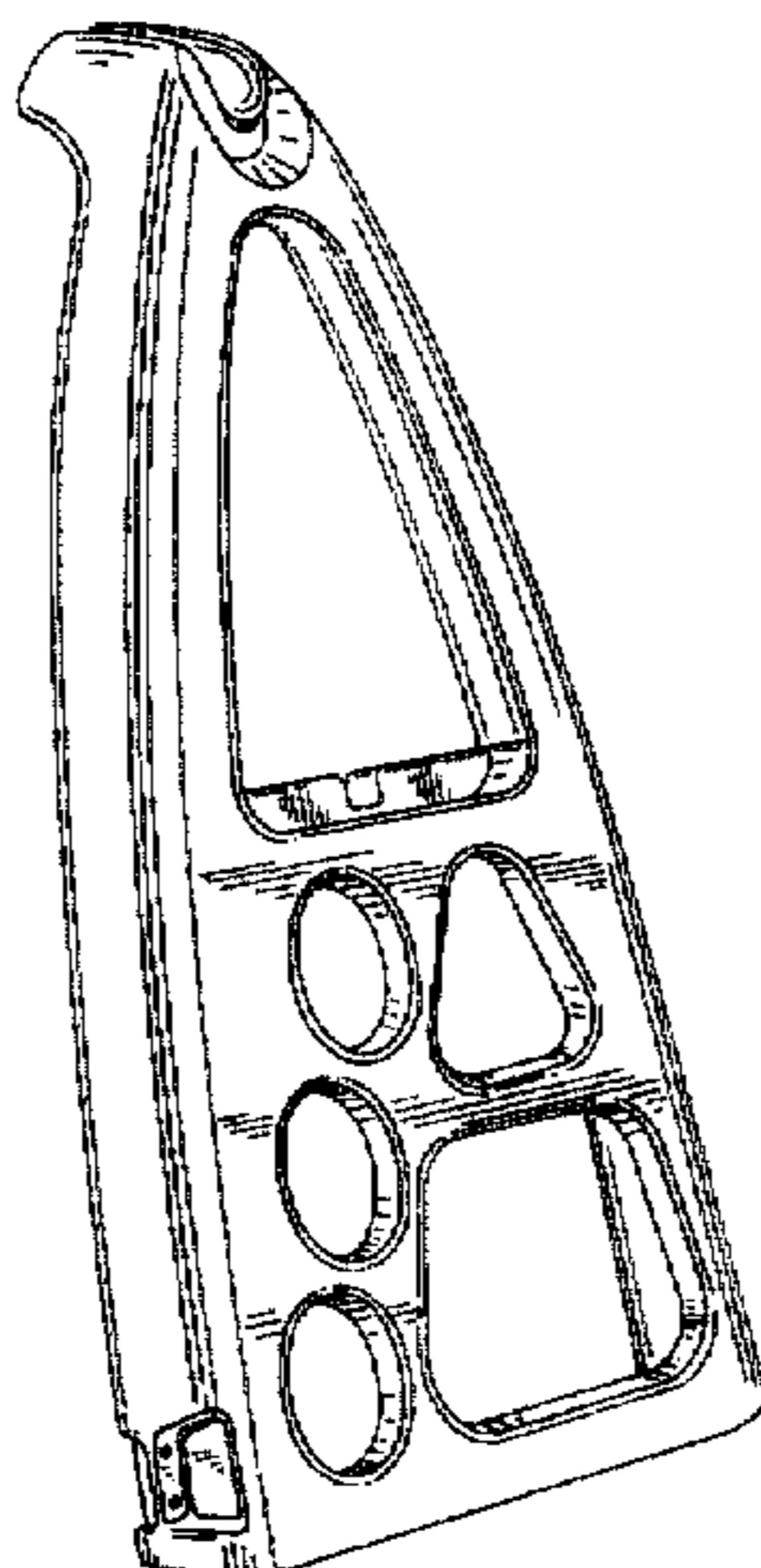


FIG. 1

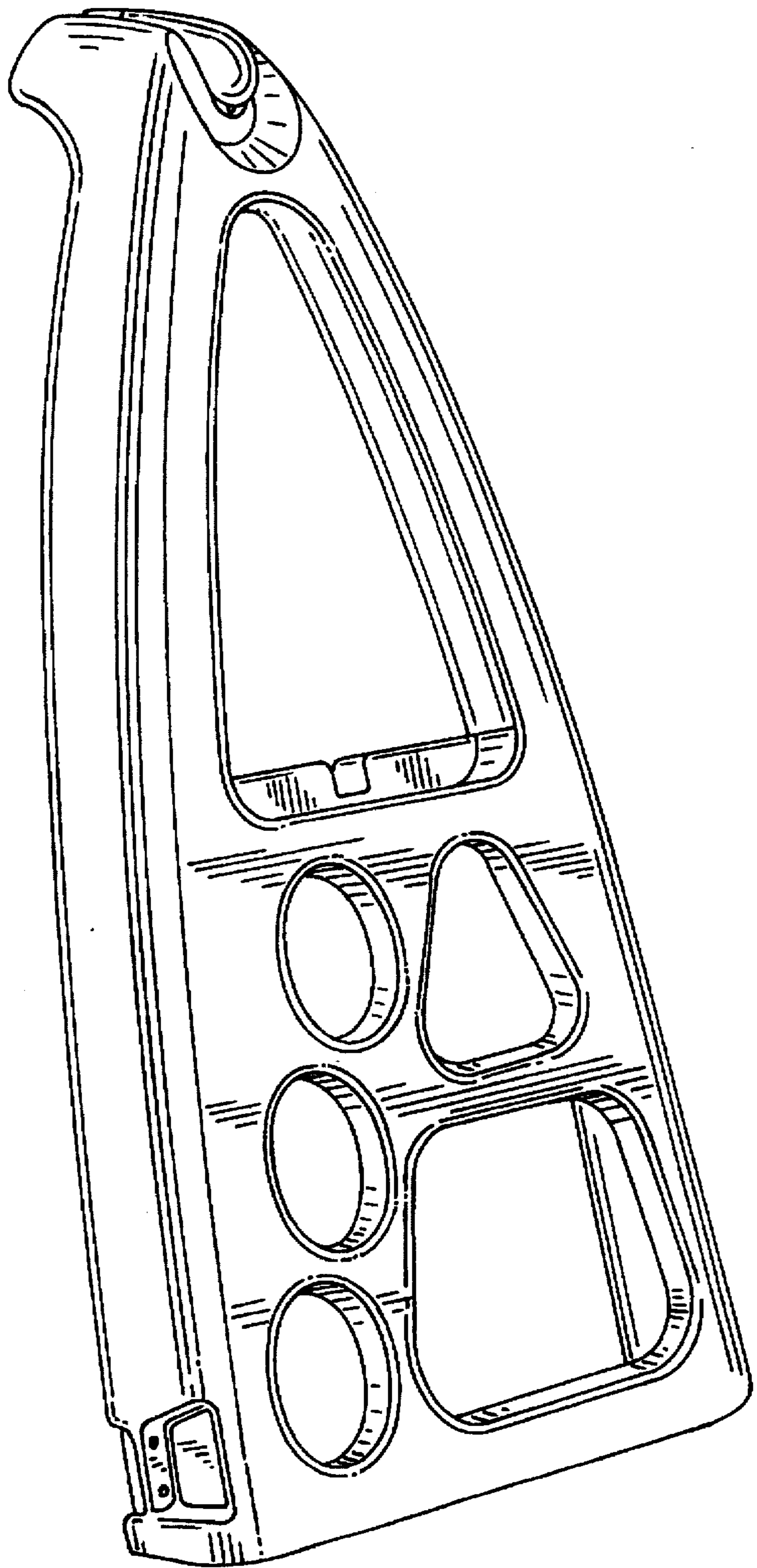


FIG. 2

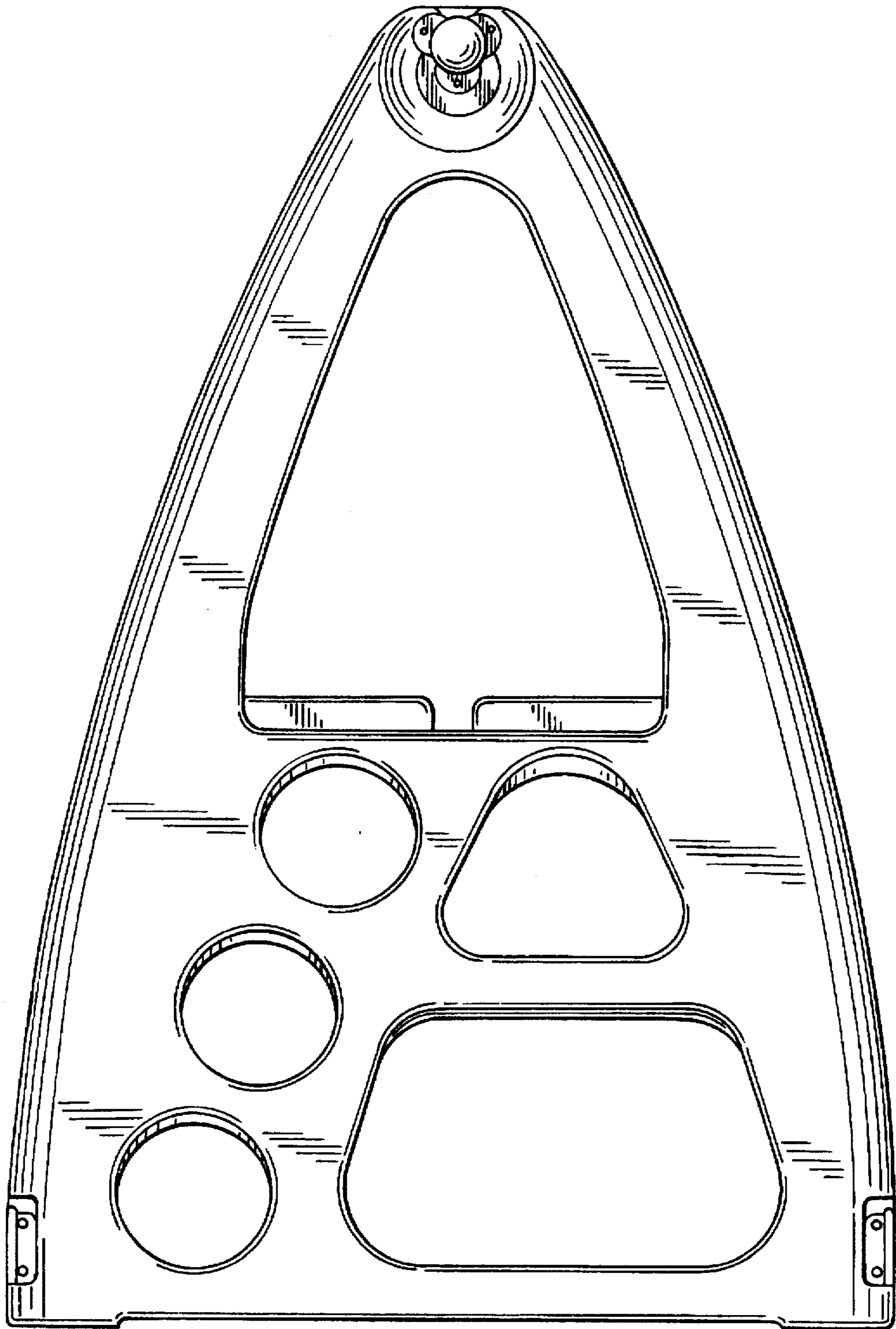


FIG. 3

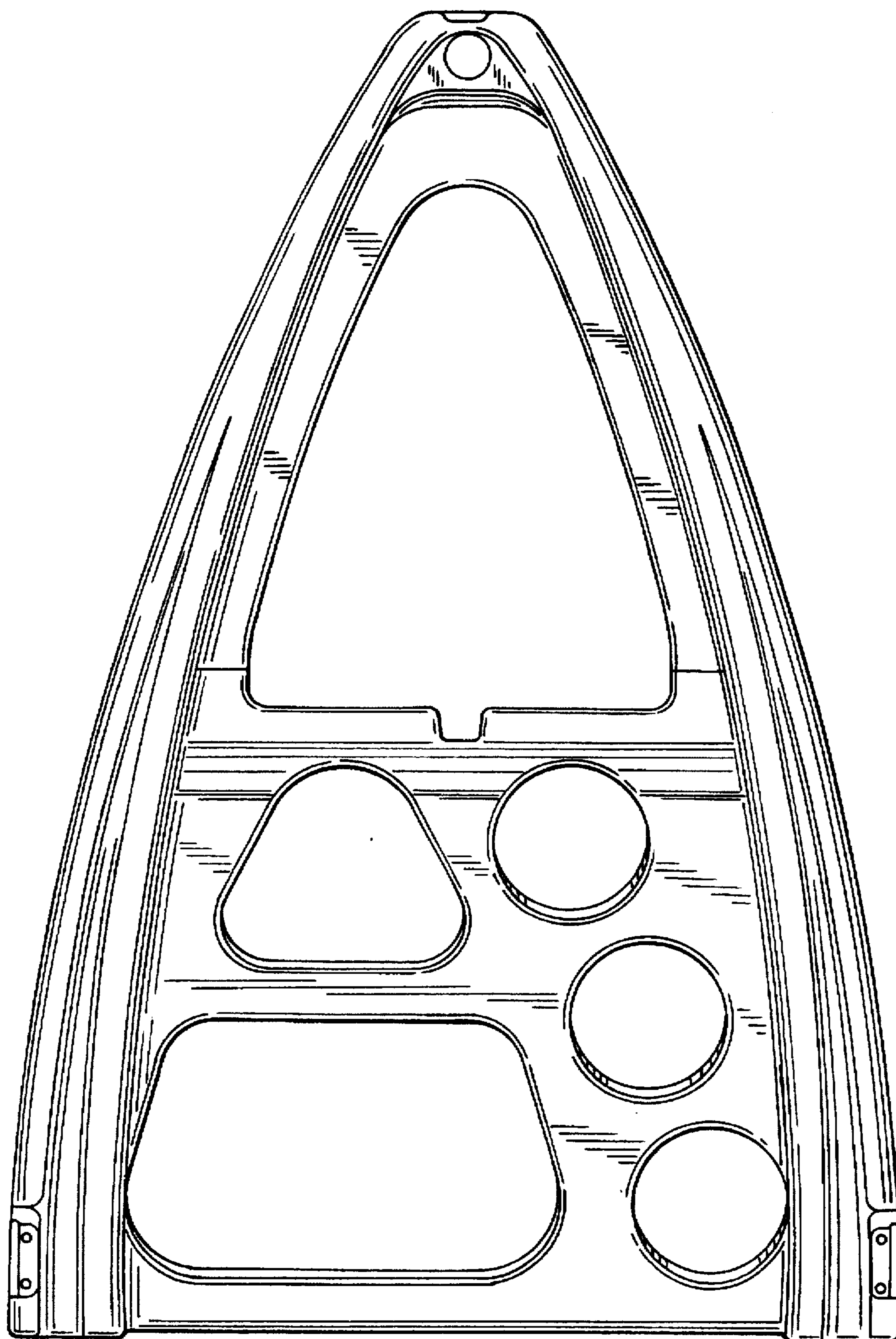


FIG. 4

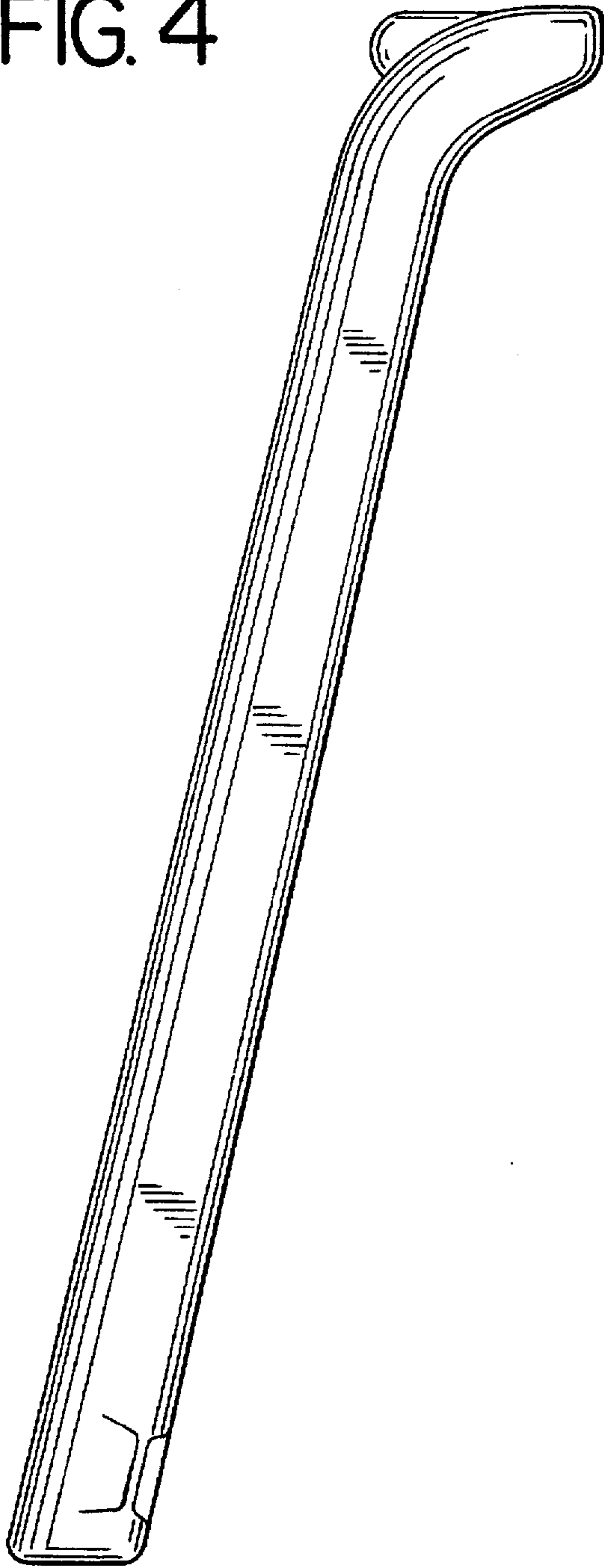


FIG. 5

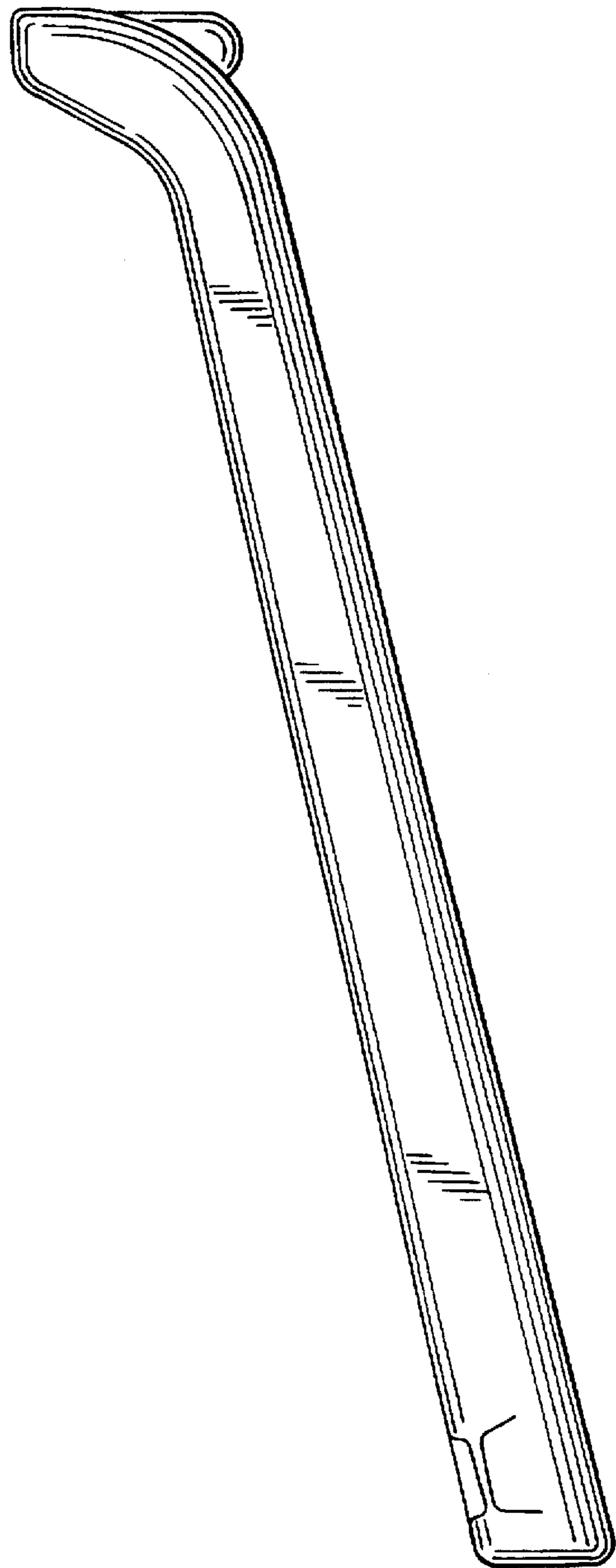


FIG. 6

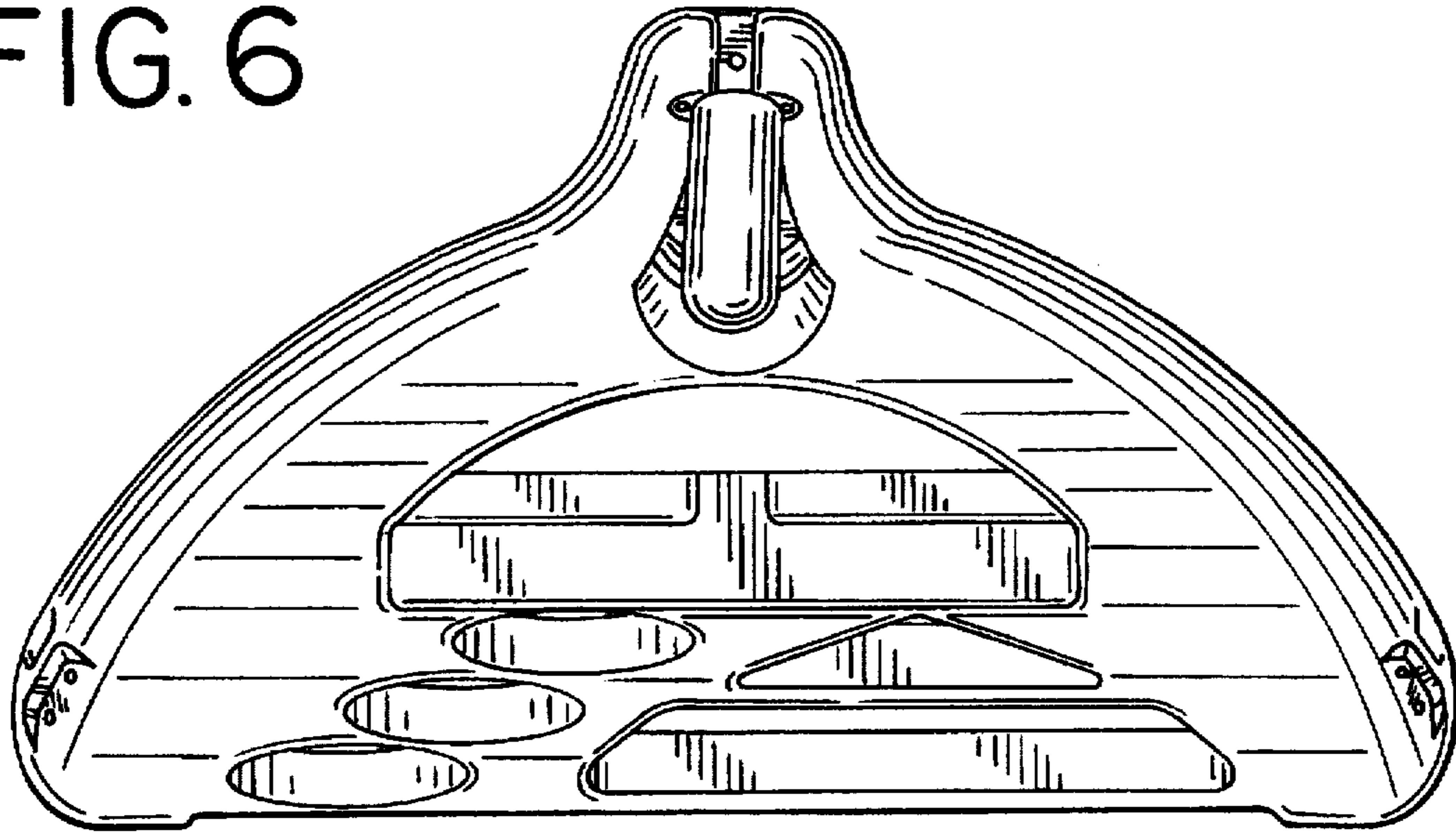
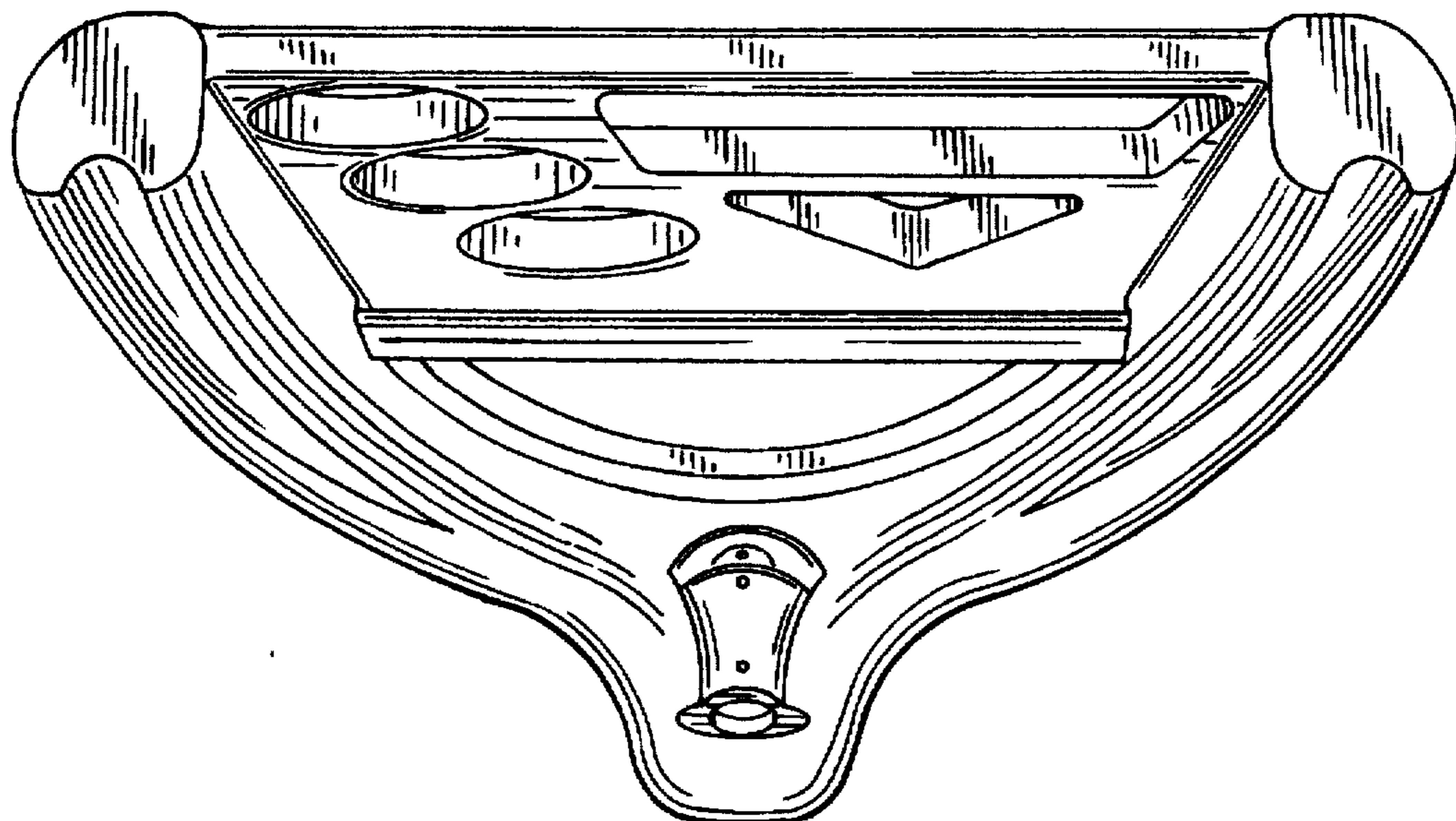


FIG. 7



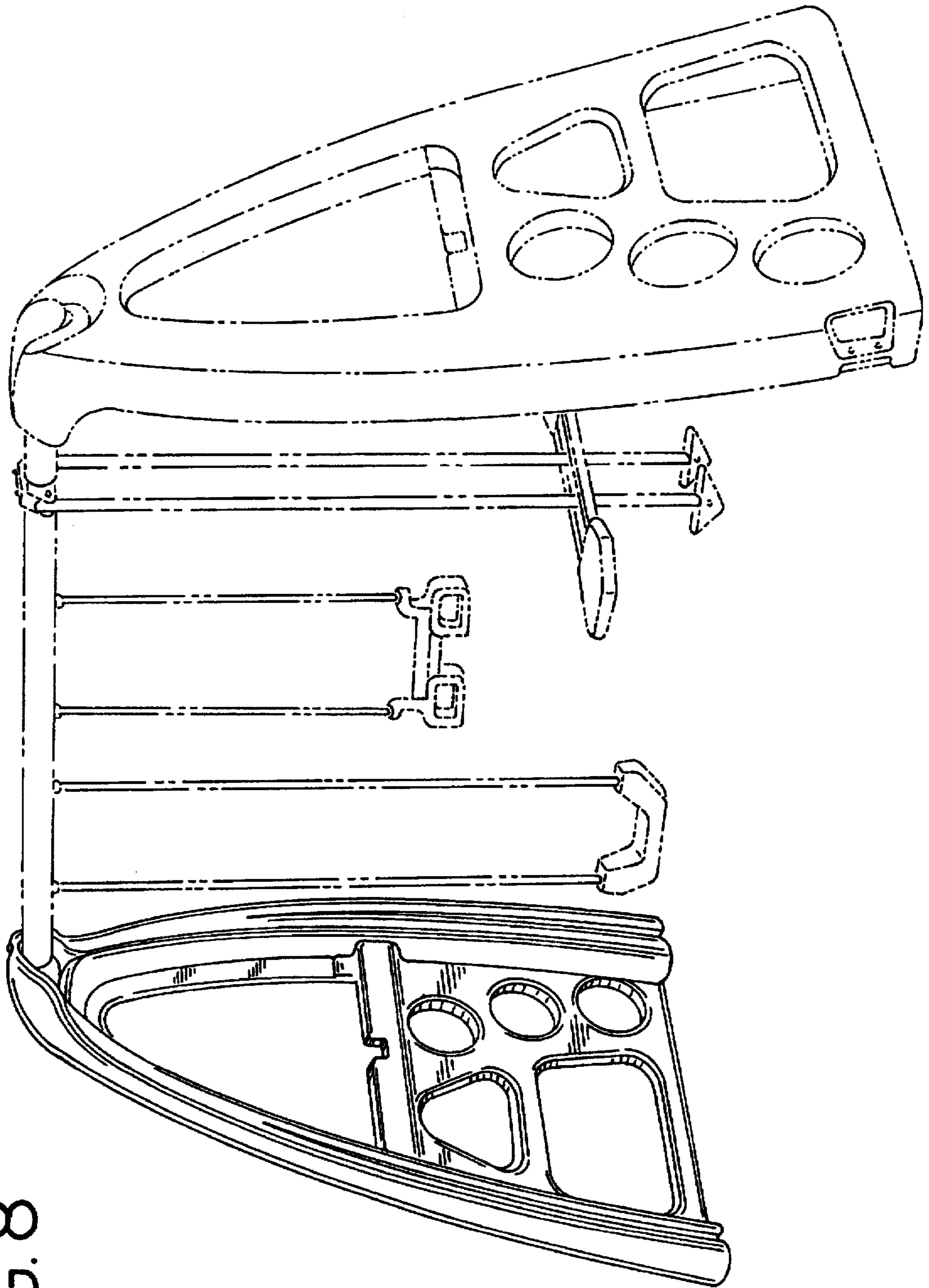


FIG. 8