



US00D387118S

United States Patent [19]
Griffin

[11] **Patent Number:** **Des. 387,118**
[45] **Date of Patent:** ****Dec. 2, 1997**

[54] **GOLF CART ACCESSORY FOR DISPLAYING YARDAGE AND RELATED INFORMATION**

[76] **Inventor:** **James O. Griffin**, 1000 Fair Meadow Trail, Mt. Juliet, Tenn. 37122

[**] **Term:** **14 Years**

[21] **Appl. No.:** **62,156**

[22] **Filed:** **Nov. 8, 1996**

[51] **LOC (6) Cl.** **21-02**

[52] **U.S. Cl.** **D21/234; D19/27; D20/43**

[58] **Field of Search** **D10/46.1; D21/221, D21/234; D19/26, 20, 27, 33, 99, 100, 1, 88, 76, 78; D20/43, 42; 281/15.1, 44, 45; 40/120**

[56] **References Cited**

U.S. PATENT DOCUMENTS

D. 191,750	11/1961	Exline	D21/234	X
D. 273,796	5/1984	Milden	D19/27	
D. 308,990	7/1990	Grossman	D20/43	
D. 317,464	6/1991	Goodman et al.	D19/27	X
2,658,773	11/1953	Jarris	281/45	
3,128,021	4/1964	Habbena	D21/234	X

OTHER PUBLICATIONS

ParView, 5963 Cattleman Lane, Sarasota, FL 34232 10 pgs. advertising literature, date of publication unknown.
ProLink, P.O. Box 6627 Chandler, AZ 85246 4pgs. advertising literature, date of publication unknown.

Yardage Cartbooks, 177 Lockwood, Bloomingdale, IL 60108 2 pgs. advertising literature, date of publication unknown.

Iguana International, P.O. Box 529, Grayslake, IL 60030 1 p. advertisement, date of publication unknown.

Pace Setter Golf Car Yardage Book 1 p. advertisement, date of publication unknown.

Primary Examiner—Martie Thompson
Attorney, Agent, or Firm—D. Waddey & Patterson; I. C. Waddey, Jr.

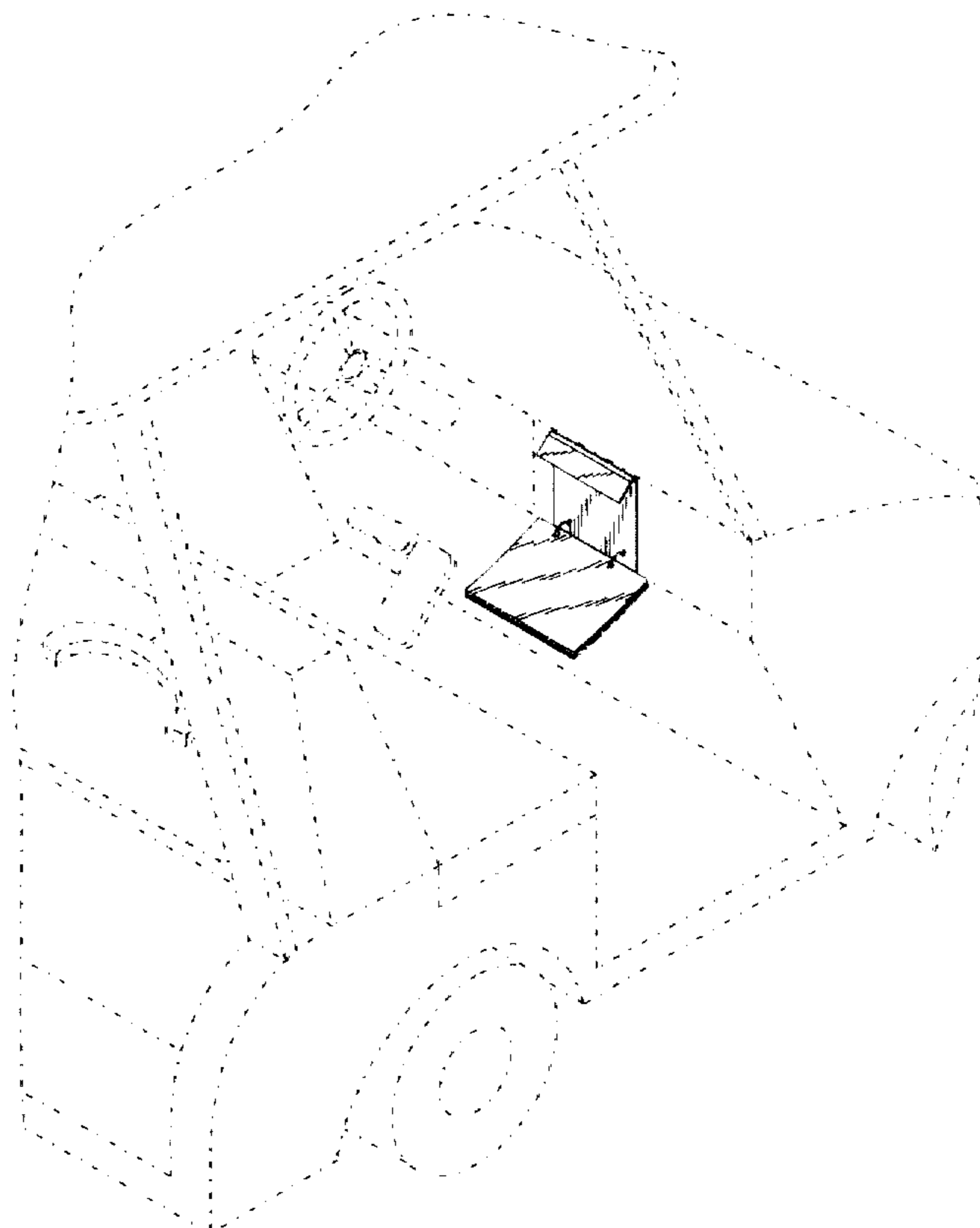
[57] **CLAIM**

The ornamental design for a golf cart accessory for displaying yardage and related information, as shown and described.

DESCRIPTION

FIG. 1 is a perspective view of the present invention;
FIG. 2 is a front view of the present invention;
FIG. 3 is a side view of the present invention;
FIG. 4 is a side view of the present invention showing one of the laminated information panels raised and clipped beneath the lip of the device;
FIG. 5 is a bottom view of the present invention;
FIG. 6 is a rear view of the present invention;
FIG. 7 is a side view of the present invention from the side opposite of FIG. 3; and,
FIG. 8 is a top view of the present invention.

1 Claim, 3 Drawing Sheets



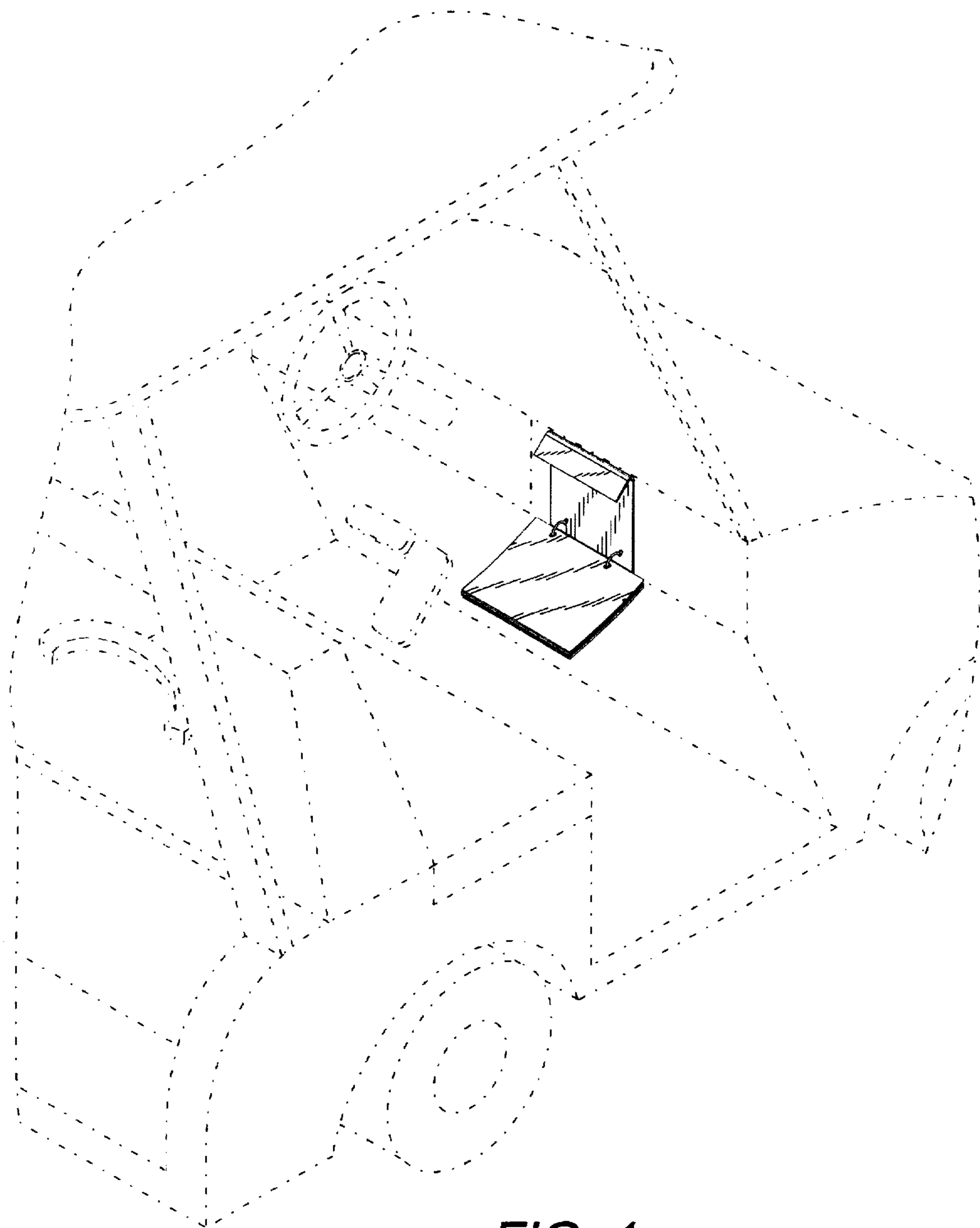


FIG. 1

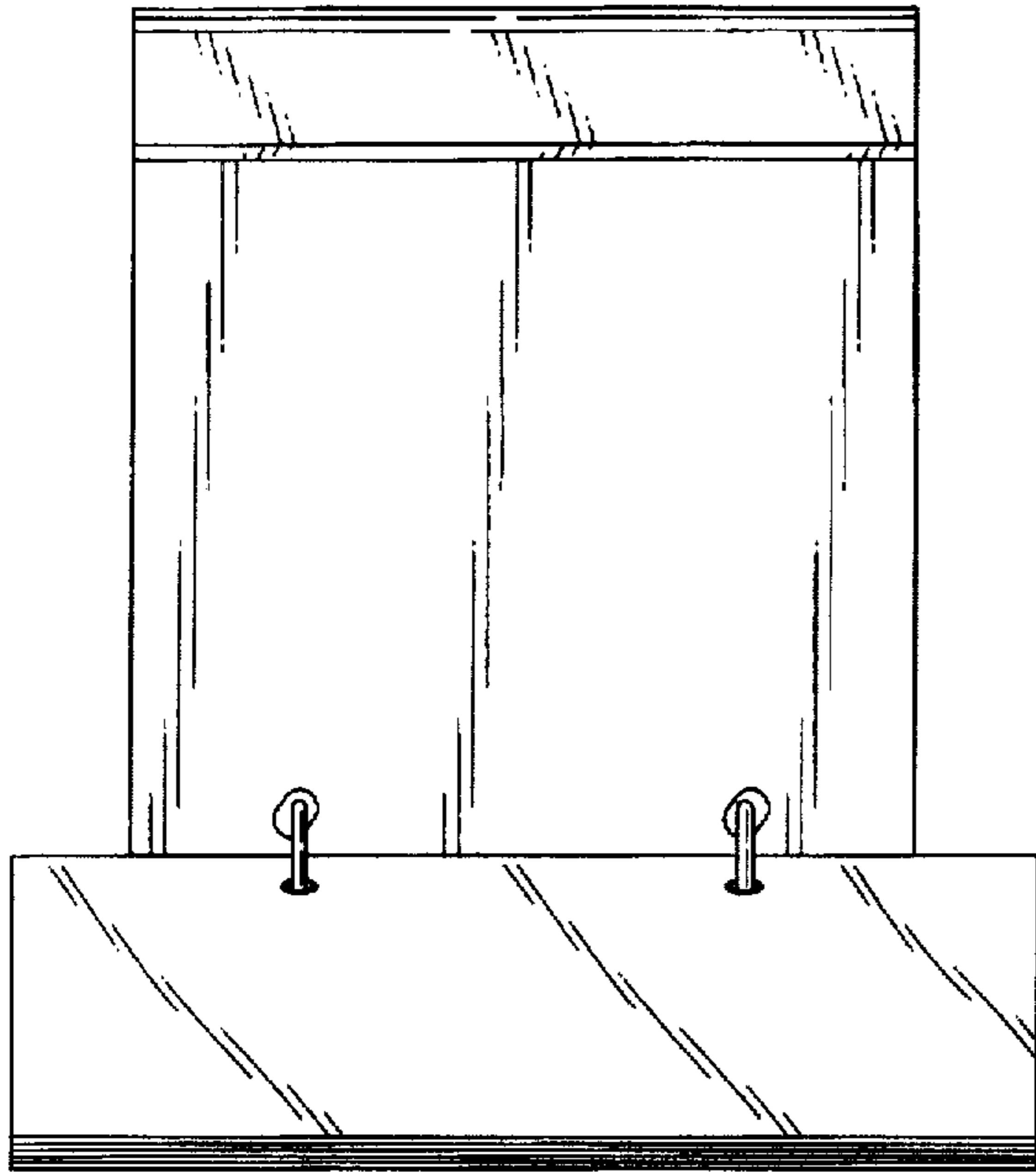


FIG. 2

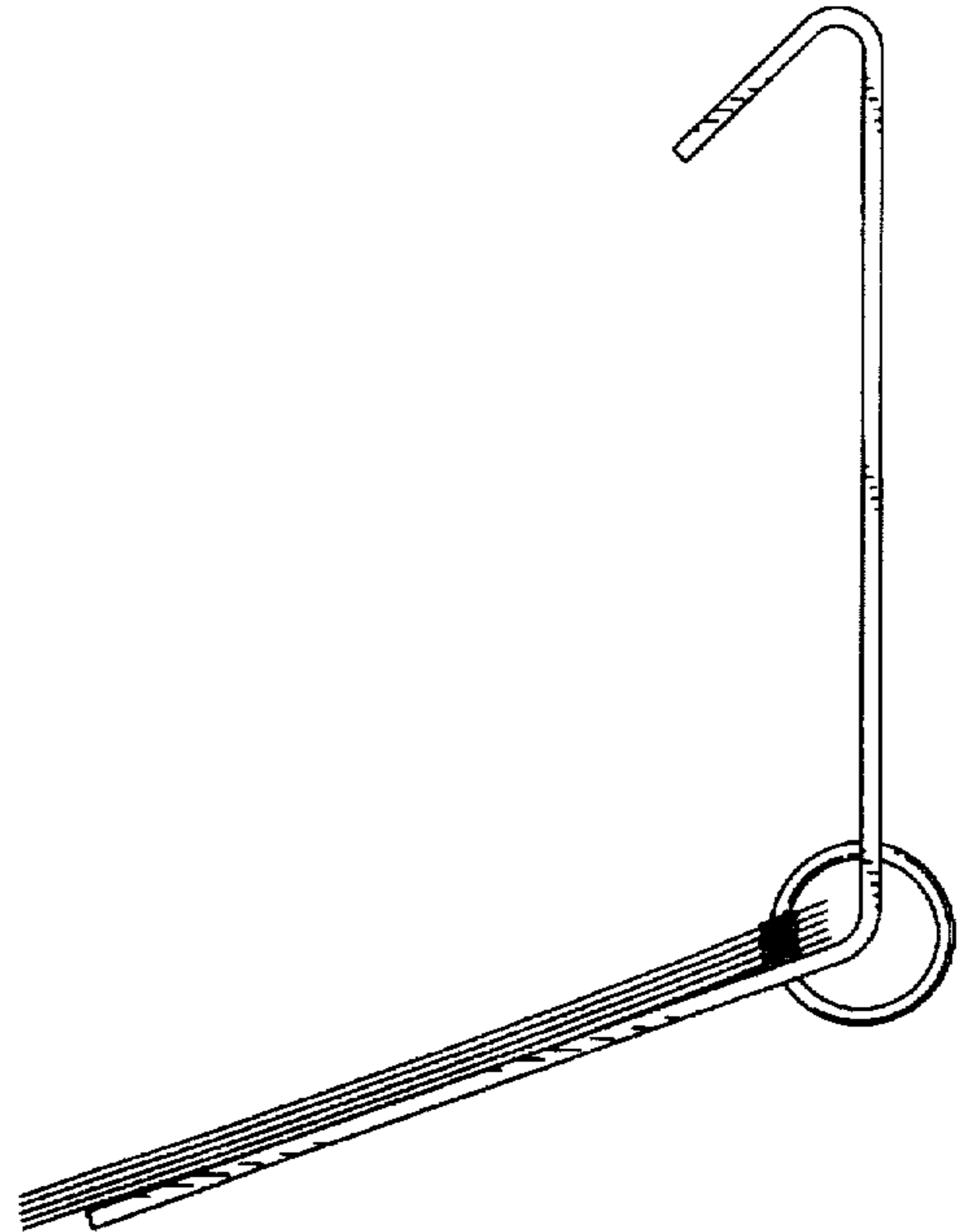


FIG. 3

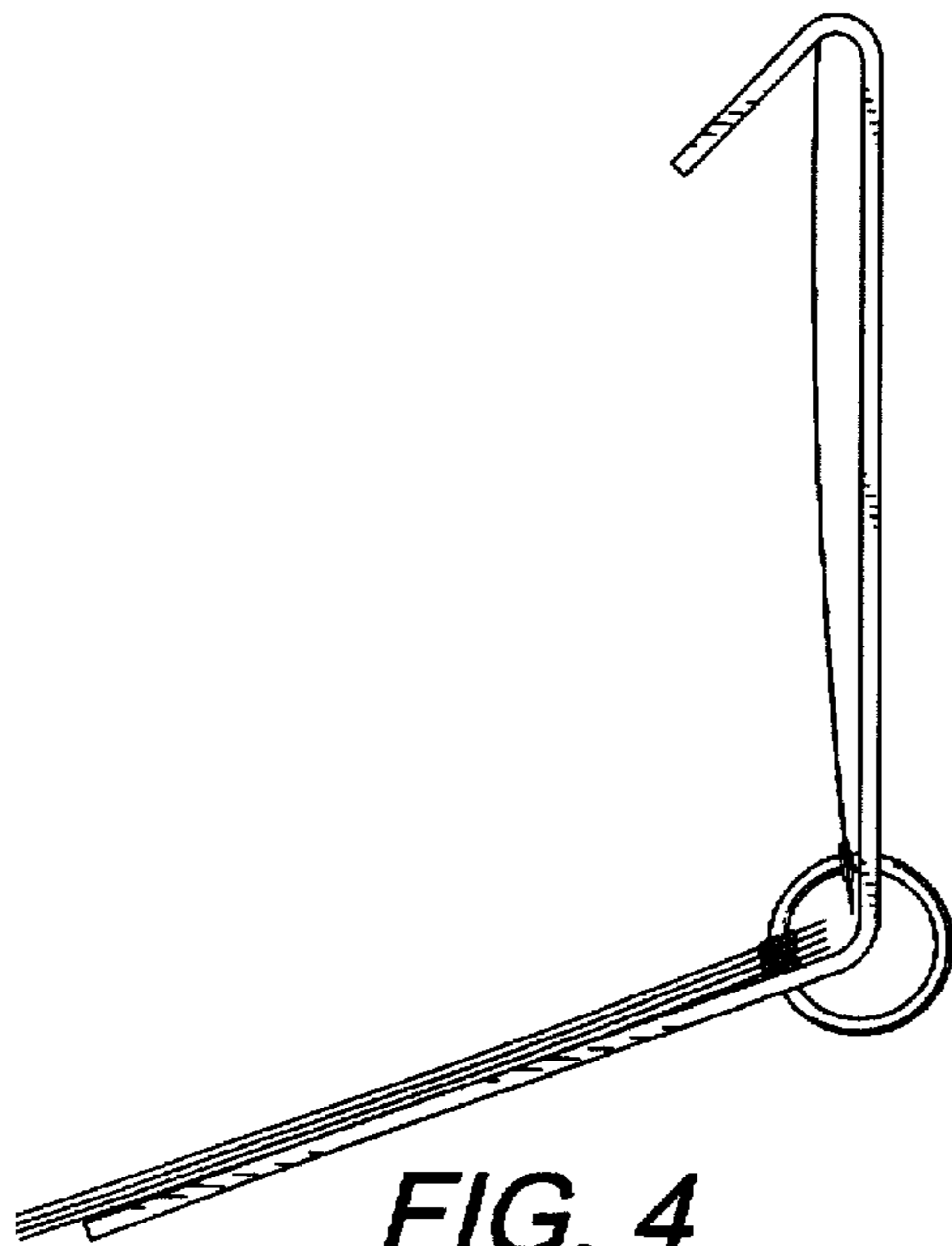


FIG. 4

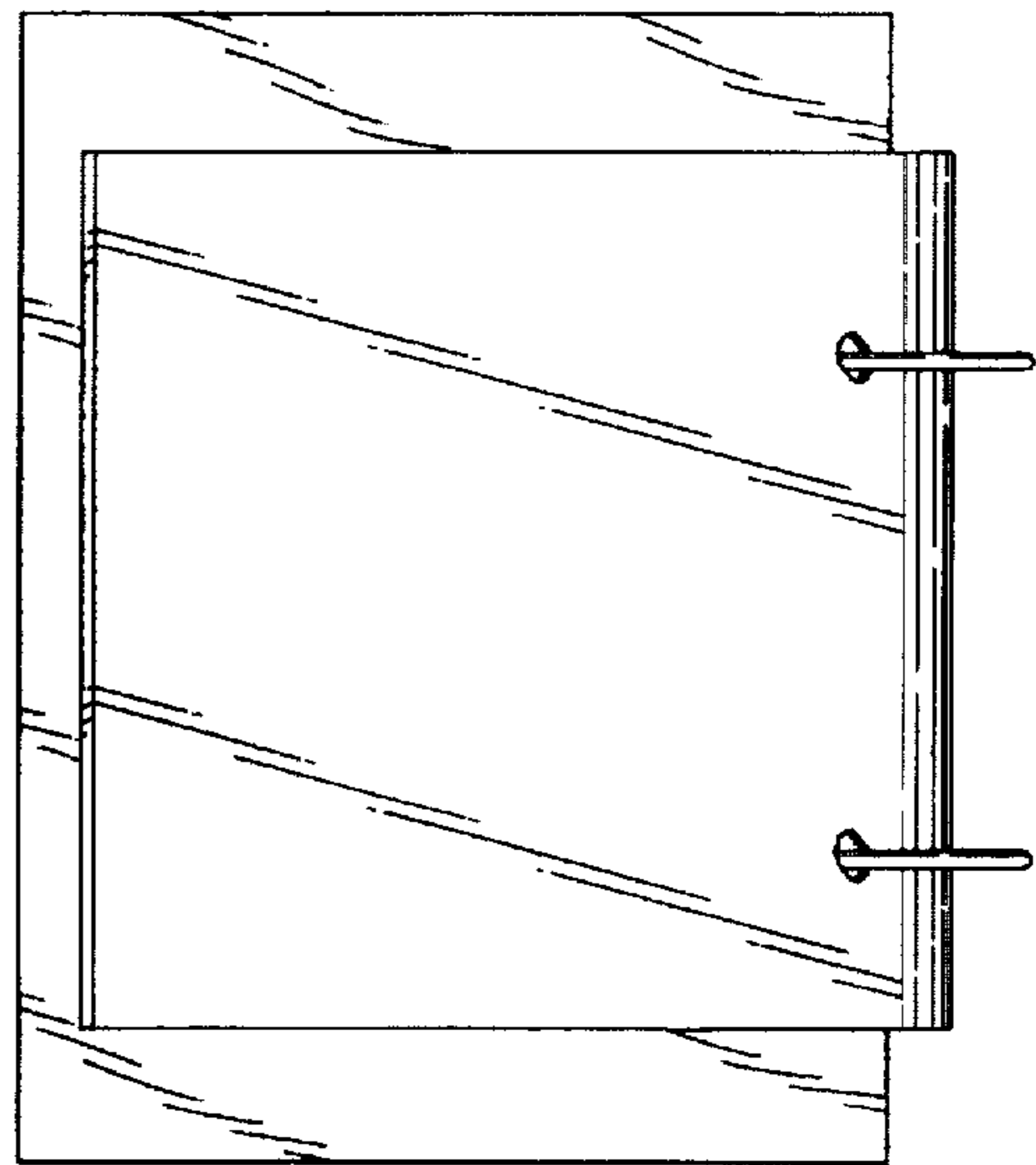


FIG. 5

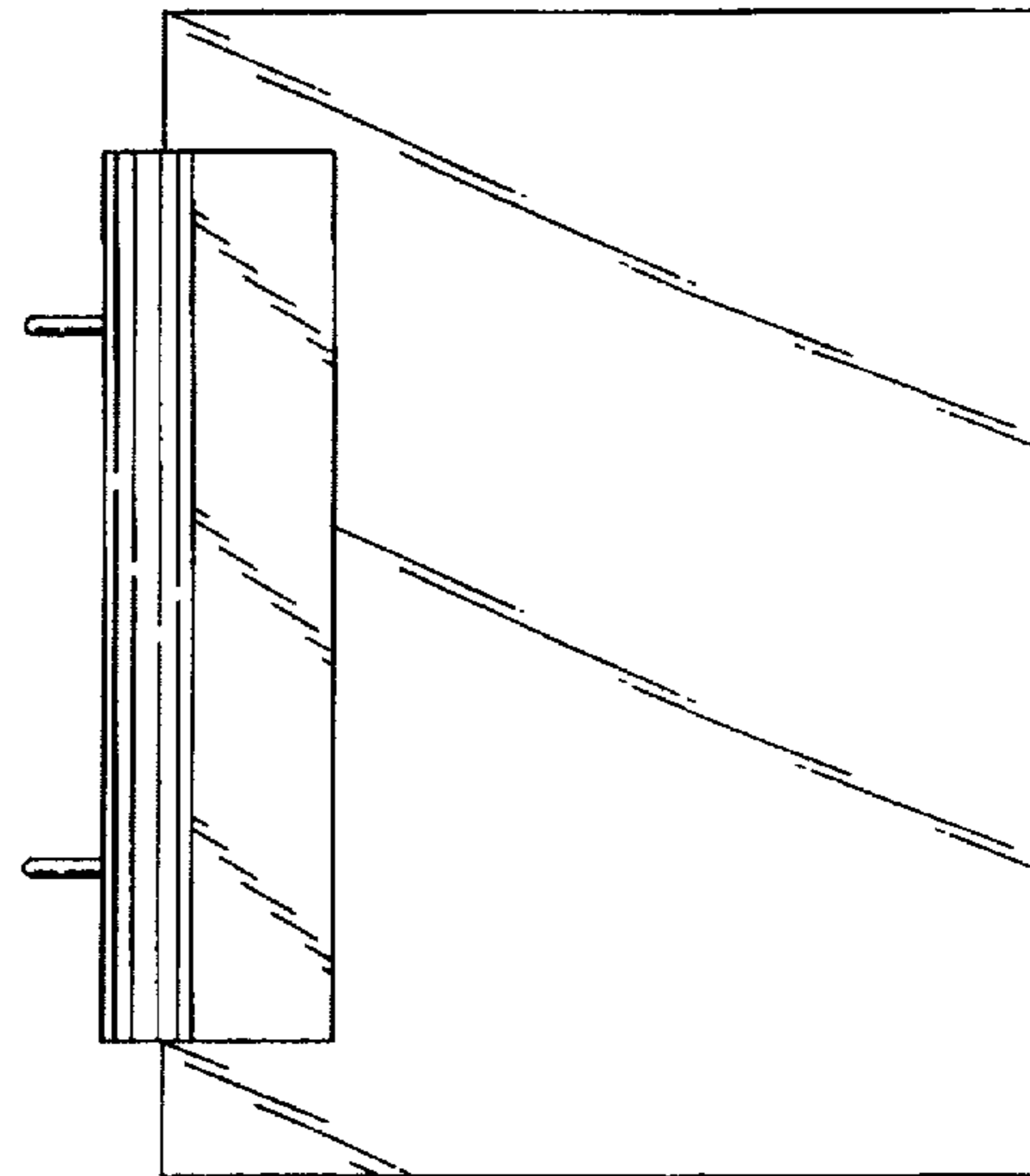


FIG. 8

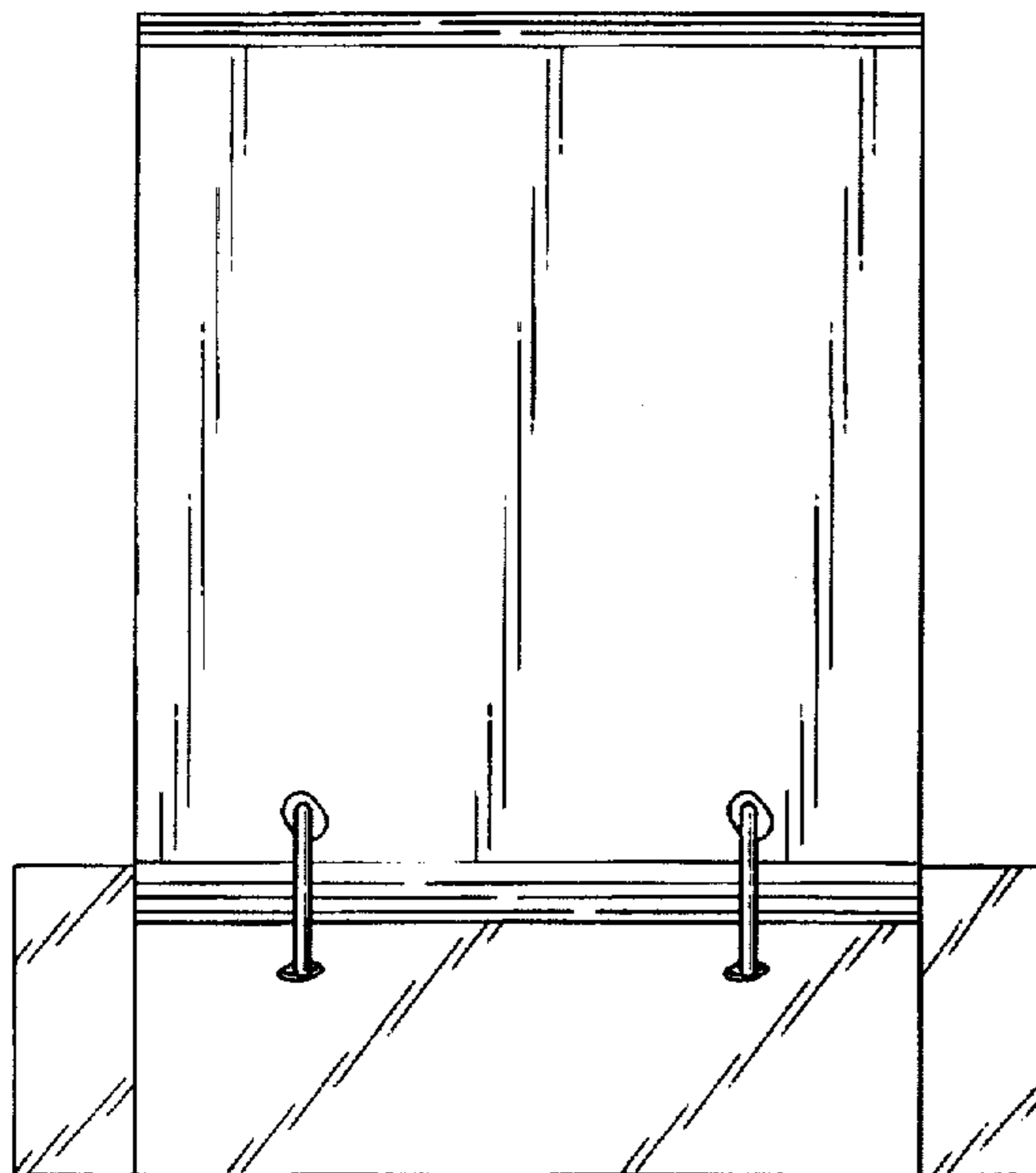


FIG. 6

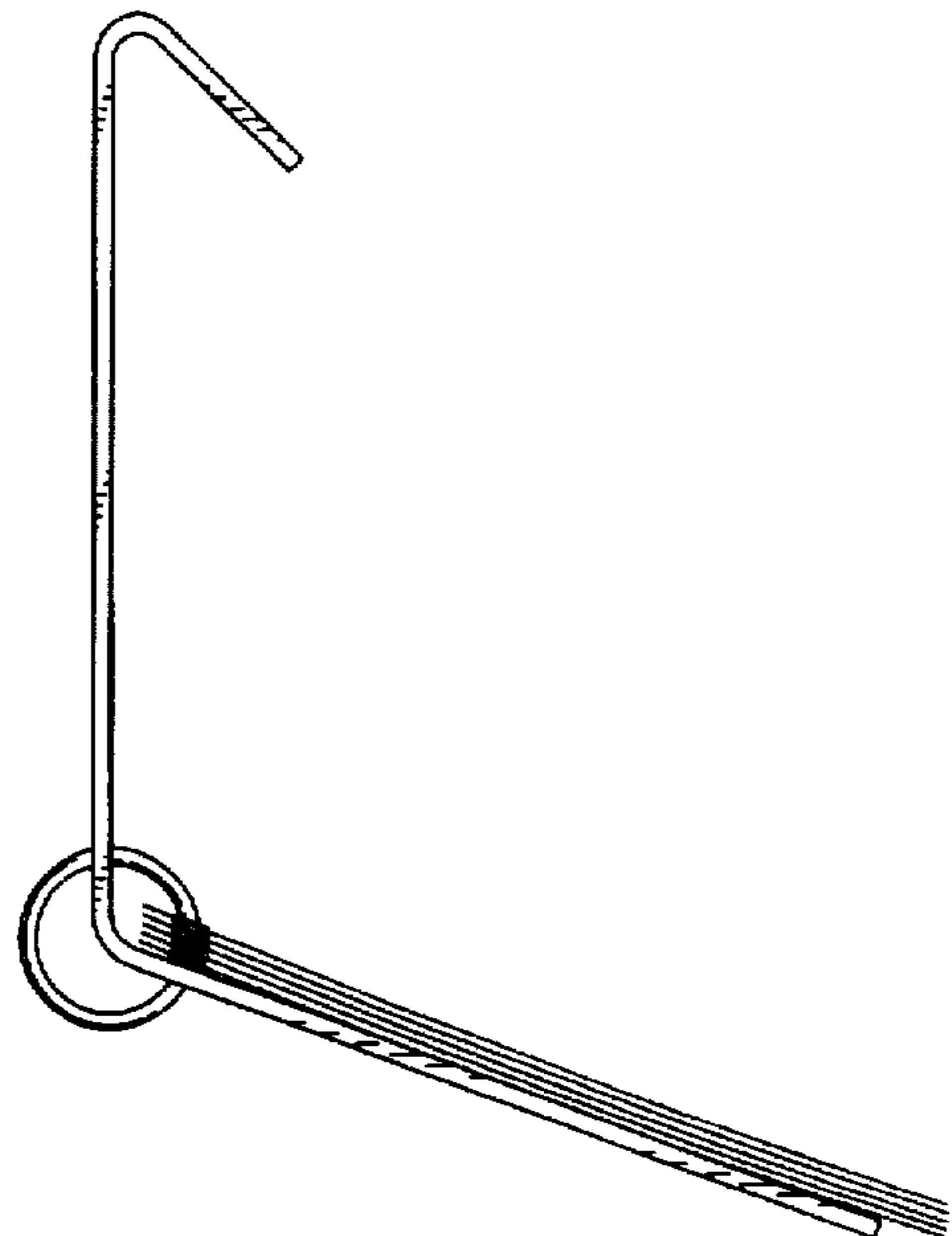


FIG. 7