

US00D387117S

United States Patent [19]

[11] Patent Number: **Des. 387,117**

Danyluk

[45] Date of Patent: ****Dec. 2, 1997**

[54] **GOLF BALL WASHER**

[75] Inventor: **Joseph John Danyluk**, 14232 -103 Avenue, Edmonton, Alberta, Canada, T5N 0S8

[73] Assignee: **Joseph John Danyluk**, Edmonton, Canada

[**] Term: **14 Years**

[21] Appl. No.: **49,174**

[22] Filed: **Jan. 19, 1996**

[51] LOC (6) Cl. **21-02**

[52] U.S. Cl. **D21/234**

[58] Field of Search D21/234; 224/919; 206/315.9; 15/21.2

[56] **References Cited**

U.S. PATENT DOCUMENTS

- D. 356,134 3/1995 Muller et al. D21/234
- D. 366,685 1/1996 Faulk et al. D21/234

- D. 371,413 7/1996 Crausby et al. D21/234
- 3,101,497 8/1963 Derkocz 15/21.2
- 3,583,016 6/1971 McConnell D21/234 X
- 4,381,574 5/1983 Benkovsky 15/21.2
- 4,945,596 8/1990 Chang et al. 15/21.2
- 5,572,761 11/1996 Meyer 15/21.2

Primary Examiner—Raphael Barkai
Assistant Examiner—Mitchell I. Siegel

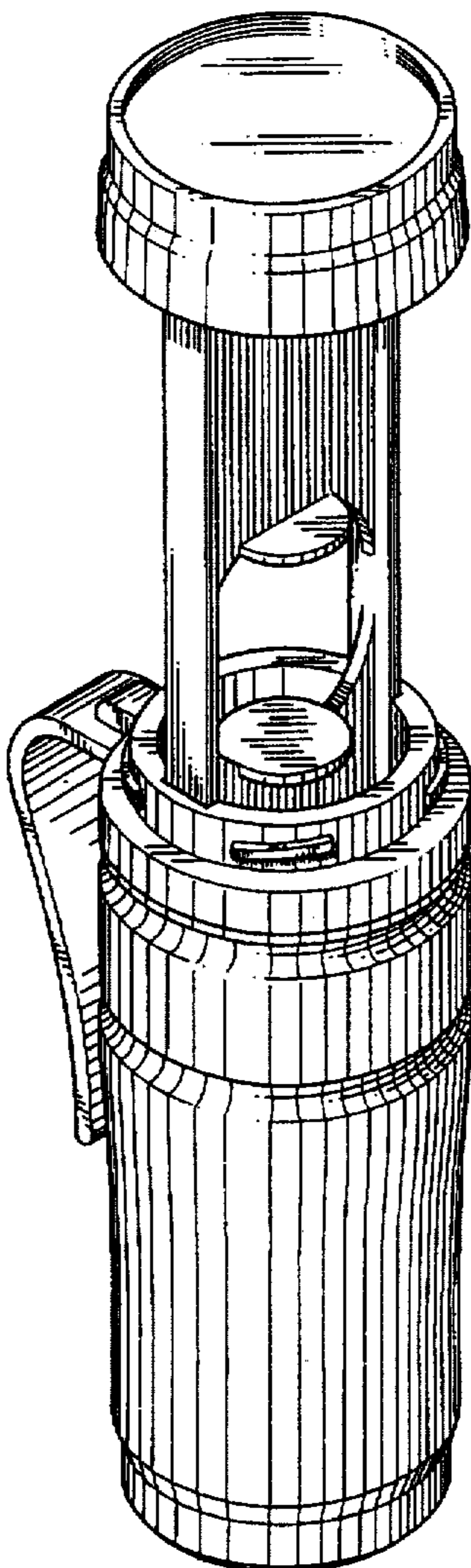
[57] **CLAIM**

The ornamental design for a golf ball washer, as shown and described.

DESCRIPTION

FIG. 1 is a perspective view;
FIG. 2 is a right side elevation view;
FIG. 3 is a left side elevation view;
FIG. 4 is a front elevation view, the rear elevation view being a mirror image thereof;
FIG. 5 is a top plan view; and,
FIG. 6 is a bottom plan view.

1 Claim, 3 Drawing Sheets



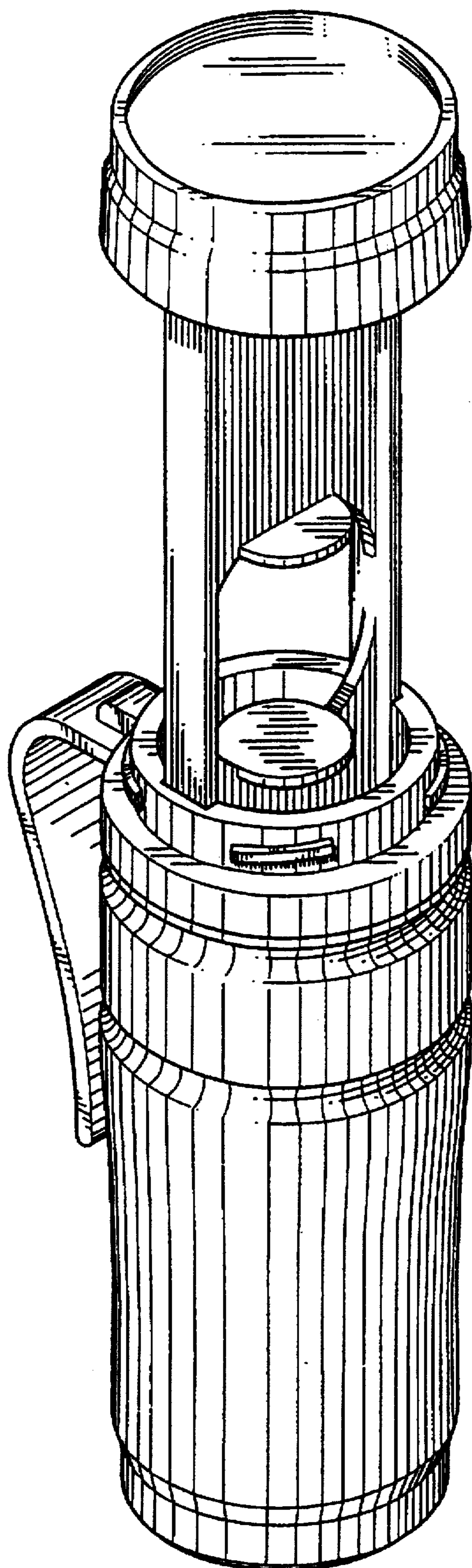


FIG. 1.

FIG. 2.

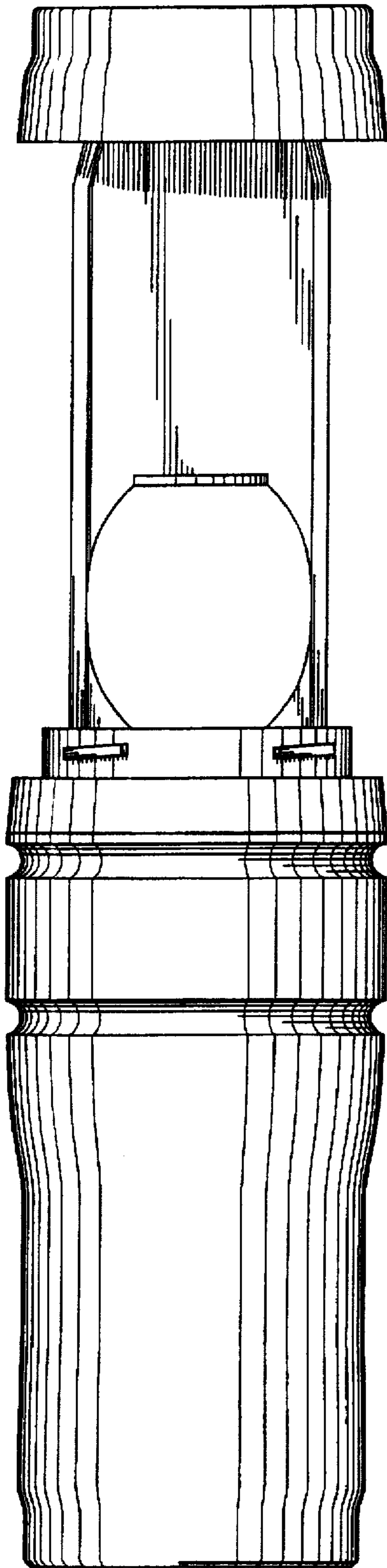


FIG. 3.

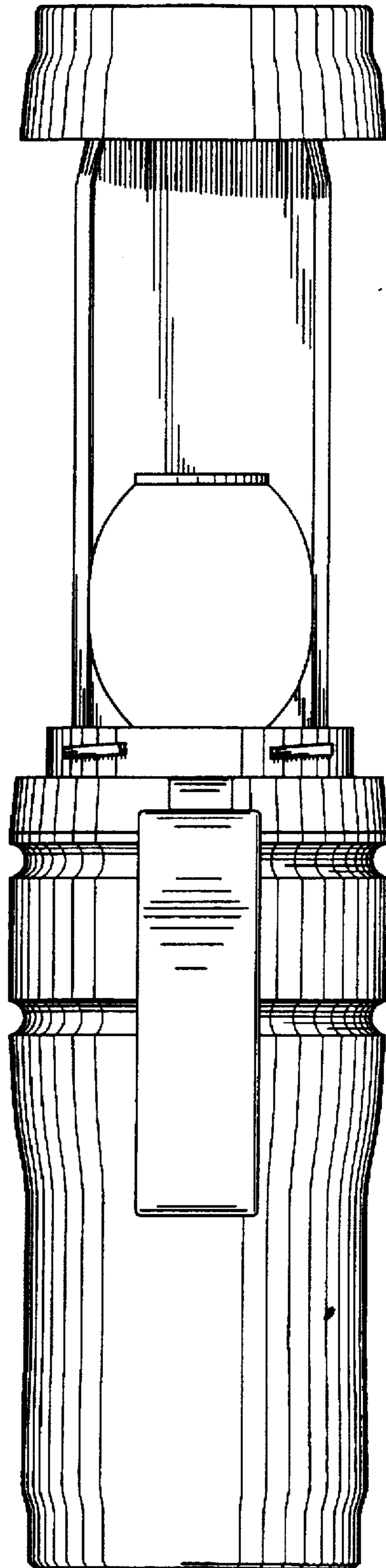


FIG. 4.

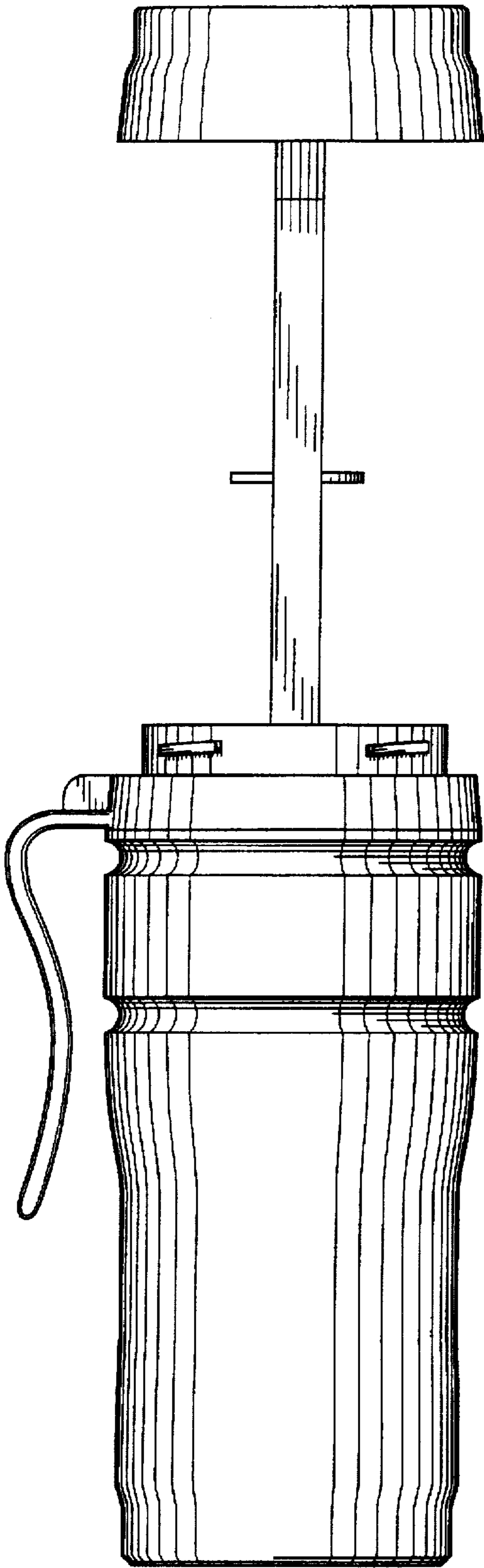


FIG. 5.

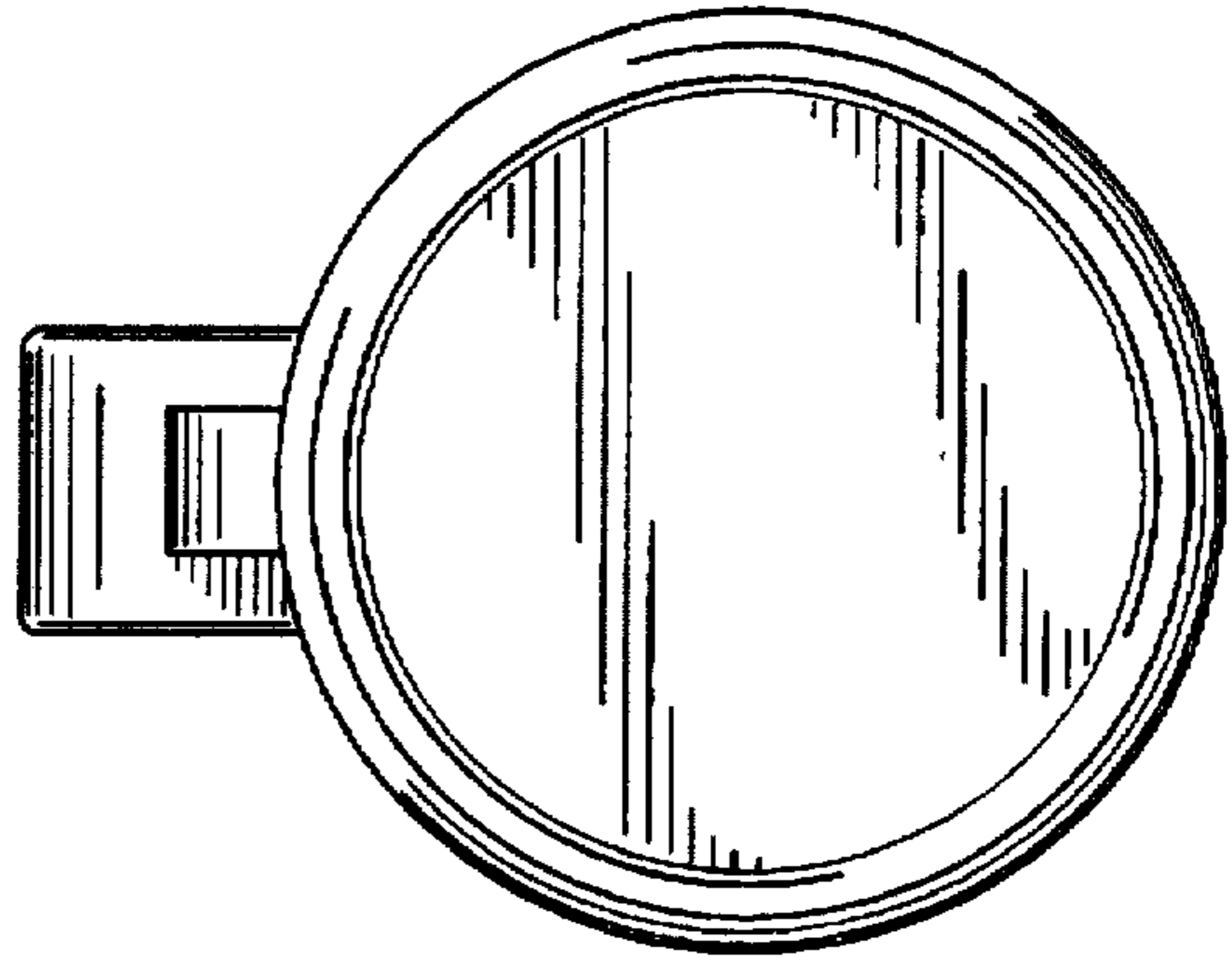


FIG. 6.

